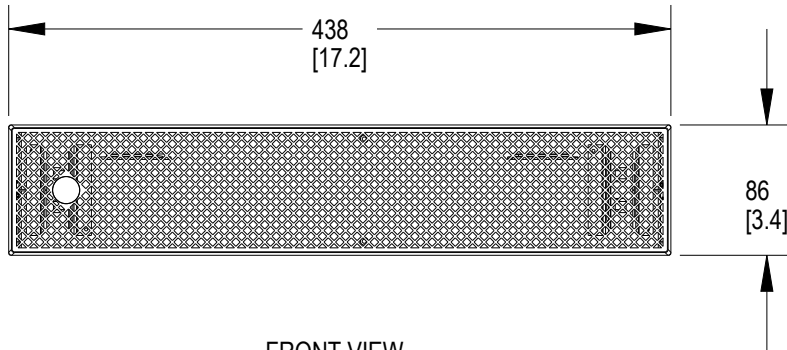
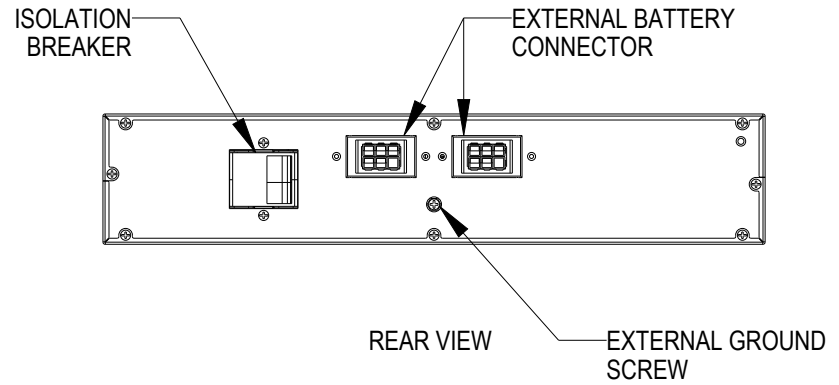


2

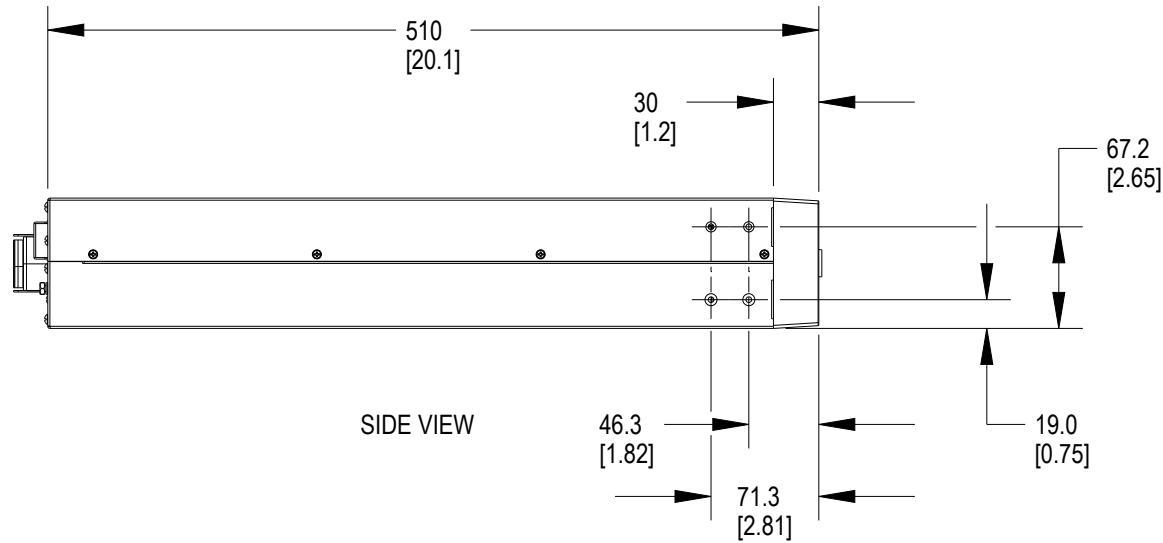
1



FRONT VIEW



REAR VIEW



SIDE VIEW

NOTES :

- 1. UNIT DIMENSIONS (W x D x H) : 438mm x 510mm x 86mm
(17.2") x (20.1") x (3.4")
- 2. UNIT WEIGHT : 31.8Kg (70.1Lbs)
- 3. SHIPPING DIMENSIONS (W x D x H) : 600mm x 650mm x 235mm
(22.0") x (23.6") x (9.3")
- 4. SHIPPING WEIGHT : 34.4Kg (75.8Lbs)
- 5. MINIMUM AIRFLOW CLEARANCE : 100mm (4.0") FRONT & REAR.

B

B

A

A

SHEET NO. 1 OF 1	DRAWN BY: RINU TOMS
CO. NO. -	DESIGNED BY: PETE BENNER
REF DWG. -	APPROVED BY: BAPIN NARAYANKAR

TITLE OUTLINE DRAWING LIEBERT GXE3 48V EXTERNAL BATTERY CABINET
--

DWG. NO. GXE3-EBC48VRT2U_OL
DATE (LATEST REV.) 07-DEC-2023
REVISION 0
505 N. CLEVELAND AVE WESTERVILLE, OHIO 43082



2

1