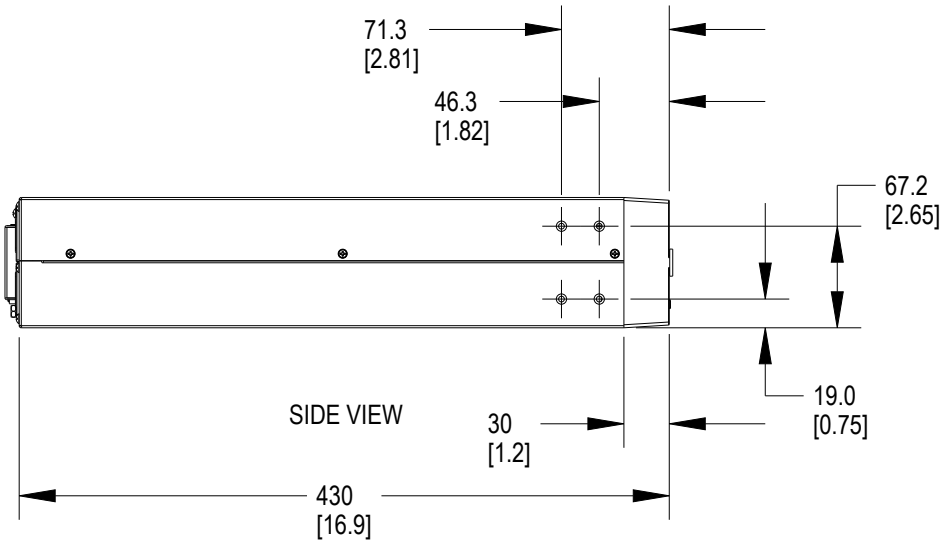
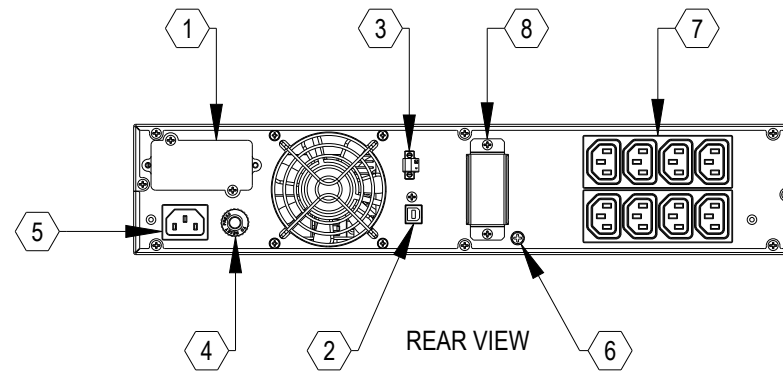
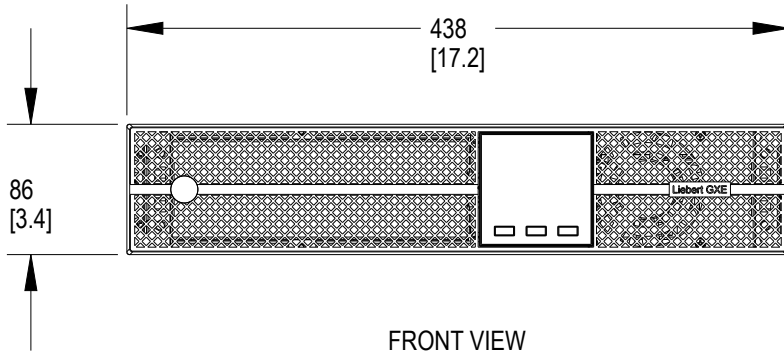


2

1



- ① INTELLISLOT PORT
- ② USB PORT
- ③ EPO PORT
- ④ 10A INPUT CIRCUIT BREAKER
- ⑤ 10A INPUT POWER PLUG (C14)
- ⑥ EXTERNAL GROUND SCREW
- ⑦ IEC OUTPUT RECEPTACLES (C13)
- ⑧ EXTERNAL BATTERY CONNECTOR

- NOTES :
1. UNIT DIMENSIONS (W x D x H) : 438mm x 430mm x 86mm (17.2") x (16.9") x (3.4")
  2. UNIT WEIGHT : 19.6 Kg (43.2 Lbs)
  3. SHIPPING DIMENSIONS (W x D x H) : 600mm x 560mm x 235mm (23.6") x (22.0") x (9.3")
  5. SHIPPING WEIGHT : 21.6 Kg (47.6 Lbs)
  6. MINIMUM AIRFLOW CLEARANCE : 100mm (4.0") FRONT & REAR.

SHEET NO. 1 OF 1	DRAWN BY: ANIKET PATIL	TITLE  OUTLINE DRAWING LIEBERT GXE3-1500IRT2UXL UPS
CO. NO. -	DESIGNED BY: PETE BENNER	
REF DWG. -	APPROVED BY: BAPIN NARAYANKAR	

DWG. NO. GXE3-1500IRT2UXL_OL	505 N. CLEVELAND AVE WESTERVILLE, OHIO 43082
DATE (LATEST REV.) 11-DEC-23	
REVISION 0	



2

1