



Liebert® XDC

User Guide

50 and 60 Hz, 130 and 160 kW Nominal Cooling Capacity; Model Revision 5 or Higher

The information contained in this document is subject to change without notice and may not be suitable for all applications. While every precaution has been taken to ensure the accuracy and completeness of this document, Vertiv assumes no responsibility and disclaims all liability for damages resulting from use of this information or for any errors or omissions.

Vertiv recommends installing a monitored fluid detection system that is wired to activate the automatic closure of field-installed coolant fluid supply and return shut off valves, where applicable, to reduce the amount of coolant fluid leakage and consequential equipment and building damage. Refer to local regulations and building codes relating to the application, installation, and operation of this product. The consulting engineer, installer and/or end user is responsible for compliance with all applicable laws and regulations relating to the application, installation, and operation of this product.

The products covered by this instruction manual are manufactured and/or sold by Vertiv. This document is the property of Vertiv and contains confidential and proprietary information owned by Vertiv. Any copying, use or disclosure of it without the written permission of Vertiv is strictly prohibited.

Names of companies and products are trademarks or registered trademarks of the respective companies. Any questions regarding usage of trademark names should be directed to the original manufacturer.

Technical Support Site

If you encounter any installation or operational issues with your product, check the pertinent section of this manual to see if the issue can be resolved by following outlined procedures.

Visit <https://www.vertiv.com/en-us/support/> for additional assistance.

TABLE OF CONTENTS

1 Important Safety Instructions	1
2 Product Description	9
2.1 General Product Information	9
2.1.1 Product/System Description	9
2.2 Equipment Inspection	9
2.3 Equipment Handling	10
2.3.1 Handling the Liebert® XDC While it is on the Skid and Packaged	10
2.3.2 Unpacking the Vertiv™ Liebert® XDC	11
2.3.3 Removing the Unit from the Skid Using a Forklift	11
2.3.4 Removing the Unit from the Skid Using Rigging	12
2.3.5 Moving the Vertiv™ Liebert® XDC Using Piano Jacks	13
2.3.6 Removing the Unit from the Piano Jacks	14
3 Installation	15
3.1 Mechanical Considerations	15
3.1.1 Positioning the Vertiv™ Liebert® XDC	15
3.1.2 Placing the Vertiv™ Liebert® XDC on a Floor Stand	16
3.1.3 Positioning the Vertiv™ Liebert® XDC with Floor Stand	18
3.2 Electrical Considerations	20
3.2.1 High Voltage Connections	20
3.2.2 Connecting High Voltage Cables	21
3.3 External Pump Overloads	24
3.4 Extra Low Voltage Connections	25
3.4.1 Field Connections—All Units	29
3.4.2 Field Connections—Optional for All Units	29
3.4.3 Field Connections—Air Cooled Units only	29
3.4.4 DIP Switch and Jumper Settings for Remote Sensors	31
3.5 Remote Sensor Installation—Proper Placement	31
4 Piping and Filling with Refrigerant: R-134A and R-407C Circuits	33
4.1 European Union Fluorinated Greenhouse Gas Requirements	33
4.2 Recommended Pipe Size	33
4.3 Vertiv™ Liebert® XDC Interconnection with Vertiv™ Liebert® XD Cooling Module	35
4.4 Piping Installation Method	35
4.4.1 Piping Installation—R-134a Pumped Circuit	36
4.4.2 Bypass Flow Controllers	36
4.5 Piping Details—Shutoff/Isolation Valves	38
4.5.1 Evacuation and Leak Check—R-134a Pumped Circuit	38
4.5.2 Insulation	39
4.6 Filling the Pumped Circuit—R-134a	40

4.6.1	Calculating Refrigerant Charge—Example	41
4.6.2	Piping for Direct Expansion (DX) Circuit—R-407C Air Cooled Units	41
4.7	Install Double Discharge Risers	42
4.7.1	Air Cooled Condenser with Vertiv™ Liebert® Lee-Temp “Flooded Condenser” Head Pressure Control System—R-407C (DX) Circuit	51
4.8	Filling the Direct Expansion (DX) Circuit—R-407C	52
4.9	System Refrigerant Charges Over 60 lb. (27.2 kg) Require Additional Oil	54
4.9.1	Additional Oil Requirements for Scroll and Digital Scroll Compressors	54
5	Installation Checklist	57
6	Vertiv™ Liebert® iCOM™ Control—Firmware Version XP1.00.009.STD	59
6.1	Liebert® iCOM™ Components and Functions	59
6.2	Display Lamp Indicators	60
6.3	Navigating Through the Vertiv™ Liebert® iCOM™ Display	60
6.3.1	Accessing Menus and Settings	61
6.3.2	Cooling Module Overview	61
6.3.3	Entering the Password	62
6.4	Changing Vertiv™ Liebert® iCOM™ Display Settings	63
6.5	Changing Operational Settings	64
6.6	Graphical Data Record	65
6.7	Vertiv™ Liebert® iCOM™ User Menu Icons and Legend	65
6.8	Vertiv™ Liebert® iCOM™ User Menu Screens	66
6.8.1	Spare Parts	67
6.8.2	Event Log	67
6.9	Vertiv™ Liebert® iCOM™ Service Menu Icons and Legend	74
6.10	Vertiv™ Liebert® iCOM™ Service Menu Screens	75
6.10.1	Set Alarm Screens, Pages 3-7	91
7	Start the Vertiv™ Liebert® XDC with Vertiv™ Liebert® iCOM™	107
7.1	Checklist for Liebert® XDC Startup	107
8	Alarm Descriptions and Solutions	111
8.1	Alarm Descriptions	111
8.2	Warning Descriptions	114
8.3	System Shutdown Causes	114
9	Troubleshooting	115
10	Maintenance	117
10.1	Fluorinated Greenhouse Gas Requirements	117
10.2	Compressor Maintenance	117
10.2.1	Compressor Oil	117
10.2.2	Compressor Maintenance	118
10.2.3	Replacement Compressors	118
10.2.4	Compressor Electrical Failure (Motor Burnout)	118

10.2.5 Replacing a Compressor with Electrical Failure (Motor Burnout)	118
10.2.6 Compressor Mechanical Failure	119
10.2.7 Replacing a Compressor with Mechanical Failure	119
10.3 Air Cooled Condenser	120
10.4 Water/Glycol Floor Stand Condenser	120
10.4.1 Shell and Tube Condensers	120
10.4.2 Regulating Valves	121
10.4.3 Glycol Solution Maintenance	121
11 Specifications	123
Appendices	127
Appendix A: Technical Support and Contacts	127
Appendix B: Submittal Drawings	129

This page intentionally left blank

1 Important Safety Instructions

Save These Instructions

This manual contains important safety instructions that should be followed during the installation and maintenance of the Vertiv™ Liebert® XDC. Read this manual thoroughly before attempting to install or operate this unit.

Only qualified personnel should move, install or service this equipment. Adhere to all warnings, cautions, notices, and installation, operating and safety instructions on the unit and in this manual. Follow all operating and user instructions. Follow all local codes.



WARNING! Arc flash and electric shock hazard. Can cause serious injury or death. Building and equipment damage may also result. Disconnect all local and remote electric power supplies and wear appropriate, OSHA-approved personal protective equipment (PPE) per NFPA 70E before working within the electric control enclosure. Customer must provide earth ground to unit, per NEC, CEC and local codes, as applicable.

Verify with a voltmeter that power is Off. The Vertiv™ Liebert® iCOM™ controller does not isolate power from the unit, even in the “Unit Off” mode. Some internal components still require and receive power even during the “Unit Off” mode of the Liebert® iCOM™ controller. The factory-supplied, optional disconnect switch is inside the unit. The line side of this switch contains live high voltage. The only way to ensure that there is NO voltage inside the unit is to install and open a remote disconnect switch. Refer to unit electrical schematic.

Before proceeding with installation, read all instructions, verify that all the parts are included and check the nameplate to be sure the voltage matches available utility power. Follow all local codes.



WARNING! Risk of electric shock. Can cause serious injury or death. Building and equipment damage may also result. Open all local and remote electric power supply disconnect switches and verify that power is off with a voltmeter before working within any electric connection enclosures. The Liebert® iCOM™ controller does not isolate power from the unit, even in the "Unit Off" mode. Some internal components require and receive power even during the "unit off" mode of the Liebert® iCOM™ controller.

Installation, service, and maintenance work must be performed only by properly trained and qualified personnel and in accordance with applicable regulations and manufacturers' specifications. Opening or removing the covers to any equipment may expose personnel to lethal voltages within the unit even when it is apparently not operating and the input wiring is disconnected from the electrical source.



WARNING! Risk of short circuits and electric shock. Can cause serious injury or death. Building and equipment damage can result from cut insulation or damaged wires. Can cause overheated wiring, smoke, fire, activation of fire suppression systems and EMS personnel, and loss of power to fans. Verify that all wiring connections are tight and that all wiring is contained within the junction box prior to closing and securing the cover.

Insert CSA-certified or UL-listed bushings into holes and/or knockouts used to route wiring through metal panels to protect the wire insulation from contact with sheet metal edges.



WARNING! Risk of improper wire sizing/rating and loose electrical connections causing overheated wire and electrical connection terminals resulting in smoke or fire. Can cause serious injury or death. Building and equipment damage may also result. Use correctly sized copper wire only and verify that all electrical connections are tight before turning power On. Check all electrical connections periodically and tighten as necessary.



WARNING! Risk of over-pressurization of the refrigeration system. Can cause serious injury or death. Building and equipment damage may also result. Can cause explosive discharge of high-pressure refrigerant, loss of refrigerant, or environmental pollution. This unit contains fluids and gases under high pressure. Use extreme caution when charging the refrigerant system. Do not pressurize the system higher than the design pressure marked on the unit's nameplate.

Installer must install a 400 psig pressure relief valve in each of the two R-407C refrigerant circuits of the Vertiv™ Liebert® XDC system. Do not install shutoff valves between the compressors and the pressure relief valves.

For systems requiring EU CE compliance, the pressure relief valves must be CE-certified by a notified body to the EU Pressure Equipment Directive.



WARNING! Risk of explosive discharge of high-pressure refrigerant. Can cause serious injury or death. Building and equipment damage may also result. Neutral and service ports on the compressor service valves do not have a valve core. Front-seat the service valves and relieve pressure from the compressor before loosening a part or a component attached to the service valve. Follow local codes to properly reclaim refrigerant.



WARNING! Risk of improper wiring, piping, moving, lifting and handling. Can cause serious injury or death. Building and equipment damage may also result. Installation and service of this equipment should be done only by qualified personnel who have been specially-trained in the installation of air-conditioning equipment and who are wearing appropriate, OSHA-approved PPE.



WARNING! Risk of top-heavy unit falling over when improperly lifted or moved. Can cause serious injury or death. Building and equipment damage may also result. Read all of the following instructions and verify that all lifting and moving equipment is rated for the weight of the unit before attempting to move, lift, remove packaging from or prepare the unit for installation. Unit weights are specified in **Table 11.1** on page 124 .



CAUTION: Risk of excessive refrigerant line pressure. Can cause equipment damage or injury resulting from tubing and component rupture. Do not close off the refrigerant-line isolation valve for repairs unless a pressure-relief valve is field- installed in the line between the isolation valve and the check valve. The pressure-relief valve must be rated 5% to 10% higher than the system-design pressure. An increase in ambient temperature can cause the pressure of the isolated refrigerant to rise and exceed the system-design pressure rating (marked on the unit nameplate).



CAUTION: Risk of contact with hot surfaces. Can cause injury. Personal burn injury can be the result of touching a compressor, refrigerant discharge lines, and some electrical components that are extremely hot during unit operation. Allow sufficient time for them to cool to a touch-safe temperature before working within the unit cabinet.

Use extreme caution and wear appropriate, OSHA-approved PPE when working on or near hot components.



CAUTION: Risk of contact with sharp edges, splinters and exposed fasteners. Can cause injury. Only properly trained and qualified personnel wearing appropriate, OSHA-approved PPE should attempt to move, lift, remove packaging from or prepare the unit for installation.



CAUTION: Risk of improper handling heavy and lengthy parts. Can cause injury. Building and equipment damage may also result. Cabinet panels can exceed 5 ft. (1.5 m) in length and weigh more than 35 lb (15.9 kg). Follow relevant OSHA lifting recommendations and consider using a two-person lift for safe and comfortable removal and installation of cabinet panels. Only properly trained and qualified personnel wearing appropriate, OSHA-approved PPE should attempt to remove or install cabinet panels.



CAUTION: Risk of heavy unit falling into defective raised floor. Can cause injury and equipment damage. Prior to installation, all floor tiles immediately around floor stand are to be removed and inspected. Make sure tiles are not cracked, and ribs have not been cut. If free from defects, re-install. Replace with new tiles if defects are found.



CAUTION: Risk of improper piping installation, leak checking, fluid chemistry and fluid maintenance. Can cause injury. Building and equipment damage may also result. Installation and service of this equipment should be done only by qualified personnel who have been specially-trained in the installation of air-conditioning equipment and who are wearing appropriate, OSHA-approved PPE.



CAUTION: Risk of exposure to harmful noise levels. Can cause hearing injury or loss. Depending on the installation and operating conditions, a sound pressure level greater than 70dB(A) may arise. Take appropriate technical safety measures. Operating personnel must wear appropriate, OSHA-approved PPE and observe all appropriate hearing-protection safety requirements.

NOTICE

Risk of improper power-supply connection. Can cause equipment damage and loss of warranty coverage.

Prior to connecting any equipment to a main or alternate power source (for example back-up generator systems) for start-up, commissioning, testing, or normal operation, ensure that these sources are correctly adjusted to the nameplate voltage and frequency of all equipment to be connected. In general, power-source voltages should be stabilized and regulated to within +/- 10% of the load nameplate nominal voltage. Also, ensure that no three-phase sources are single-phased at any time.

See transformer label for primary tap connections. Installer will need to change transformer primary taps if applied unit voltage is other than pre-wired tap voltage.

NOTICE

Risk of improper electrical connection of three-phase input power. Can cause backward pump rotation and unit damage. Service technicians should use a gauge set on the system during the initial start up to verify that the three-phase power is connected properly. Three-phase power must be connected to the unit line voltage terminals in the proper sequence so that the pump rotates in the proper direction. Incoming power must be properly phased to prevent pump from running backward. We recommend checking the unit's phasing with proper instrumentation to ensure that the power connections were made correctly. We also recommend verifying discharge and suction pressures during start up to ensure that the pumps are running in the correct direction.

NOTICE

Risk of no-flow condition. Can cause equipment damage. Do not leave the water/coolant fluid-supply circuit in a no-flow condition. Idle fluid allows the collection of sediment that prevents the formation of a protective oxide layer on the inside of the tubes. Keep unit switched On and water/ coolant fluid-supply circuit system operating continuously. In multiple unit teams, allow standby units to enter the rotation automatically or schedule regular manual rotations.

NOTICE

Risk of piping-system corrosion and freezing fluids. Can cause leaks resulting in equipment and very expensive building damage. Heat exchangers and piping systems are at high risk of freezing and premature corrosion. Fluids in these systems must contain the proper antifreeze and inhibitors to prevent freezing and premature coil and piping corrosion. When the cooling unit or piping may be exposed to freezing temperatures, charge the system with coolant fluid based on the coldest ambient design temperature. Automotive antifreeze is unacceptable and must NOT be used in any fluid system. Use only coolant fluid solution that meets the requirements of recommended industry practices. Do not use galvanized pipe.

The system coolant fluid must be analyzed by a competent fluid-treatment specialist before start up to establish the inhibitor and antifreeze solution requirement and evaluated at regularly scheduled intervals throughout the life of the system to determine the pattern of inhibitor depletion.

The fluid complexity and variants of required treatment programs make it extremely important to obtain the advice of a competent and experienced fluid-treatment specialist and follow a regularly scheduled coolant-fluid system-maintenance program.

Fluid chemistry varies greatly as do the required additives, called inhibitors, that reduce the corrosive effect of the fluids on the piping systems and components.

The chemistry of the coolant fluid used must be considered, because some sources may contain corrosive elements that reduce the effectiveness of the inhibited formulation. Sediment deposits prevent the formation of a protective oxide layer on the inside of the coolant system components and piping. The coolant fluid must be treated and circulating through the system continuously to prevent the buildup of deposits and/or growth of sulfate reducing bacteria. Proper inhibitor maintenance must be performed to prevent corrosion of the system.

Consult fluid manufacturer for testing and maintenance of inhibitors.

Commercial-grade coolant fluid is generally less corrosive to the common metals of construction than water itself. It will, however, assume the corrosivity of the coolant fluid from which it is prepared and may become increasingly corrosive with use if not properly inhibited.

Vertiv recommends installing a monitored fluid-detection system that is wired to activate the automatic-closure of field-installed coolant-fluid supply and return shut-off valves to reduce the amount of coolant-fluid leakage and consequential equipment and building damage. The shut-off valves must be sized to close-off against the maximum coolant-fluid system pressure in case of a catastrophic fluid leak.

NOTICE

Risk of leaking chilled water lines. Can cause equipment and building damage.

Lines and joints must be inspected regularly. Improper installation, application, and service practices can result in water leakage from the unit. Water leakage can result in severe property damage and loss of critical data center equipment. Do not locate unit directly above any equipment that could sustain water damage. Vertiv recommends installing monitored leak detection equipment for the unit and supply and return lines.

NOTICE

Risk of clogged or leaking drain lines. Can cause equipment and building damage.

This unit requires a water drain connection. Drain lines must be inspected regularly and maintenance must be performed to ensure that drain water runs freely through the drain system and that lines are clear and free of obstructions and in good condition with no visible sign of damage or leaks. This unit may also require an external water supply to operate.

Improper installation, application, and service practices can result in water leakage from the unit. Water leakage can result in severe property damage and loss of critical data center equipment.

Do not locate unit directly above any equipment that could sustain water damage.

Vertiv recommends installing monitored leak detection equipment for the unit and the supply and return lines.

NOTICE

Risk of passageway interference. Can cause unit and/or structure damage. The unit may be too large to fit through a passageway while on or off the skid. Measure the unit and passageway dimensions, and refer to the installation plans prior to moving the unit to verify clearances.

NOTICE

Risk of damage from forklift. Can cause unit damage. Keep tines of the forklift level and at a height suitable to fit below the skid and/or unit to prevent exterior and/or underside damage.

NOTICE

Risk of improper storage. Can cause unit damage.

Keep the unit upright, indoors and protected from dampness, freezing temperatures and contact damage.

NOTICE

Risk of improper control circuits. Can cause equipment damage.

When using jumpers for troubleshooting, always remove jumpers when maintenance is complete. Jumpers left connected could override controls and cause equipment damage.

NOTICE

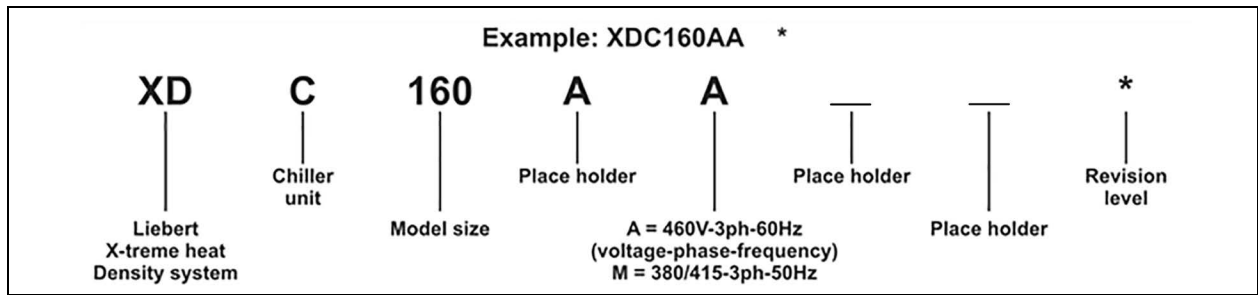
Condenser fans should be operated manually if they have not run for an extended time in an outdoor environment. Before enabling the condenser for normal cooling operation fans should be run at full speed for at least three hours once a month to move the bearings and allow any condensate that may have ingressed to evaporate.

Condenser firmware release 1.06.045 & later include settings to operate condenser fans if they have been inactive for more than 30 days.

NOTE: This document must be used with site specific documentation and documentation for other parts of the system (heat rejection devices and cooling modules).

NOTE: Before any action that could cause a disturbance in the Vertiv™ Liebert® XD system's cooling function is begun, the facility manager MUST be informed. In addition, after the action is taken and the work is finished, the facility manager MUST be informed.

Figure 1.1 Model Number Nomenclature



This page intentionally left blank

2 Product Description

2.1 General Product Information

2.1.1 Product/System Description

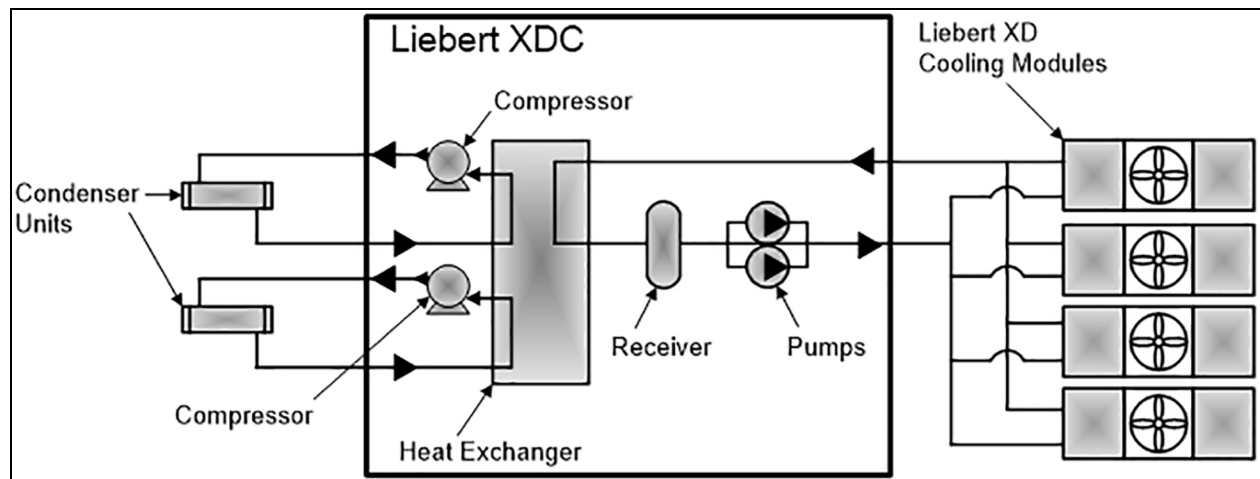
The Vertiv™ Liebert® XDC (X-treme Density Chiller) is a self-contained refrigeration distribution unit designed to cool rooms with high heat producing equipment. There are two distinct circuits, each utilizing different refrigerants and mechanical parts. The R-134a circuit is the pumped circuit containing redundant circulating pumps, a brazed plate heat exchanger along with valves and piping. The R-407C circuit is the dual direct expansion circuit containing scroll compressors, expansion valves, brazed plate heat exchanger, and piping. Heat removal is accomplished by using condensers connected to the dual direct expansion circuit. Heat rejection is available in two options: an outdoor air-cooled condenser and a water/glycol condenser. See **Figure 2.1** below.

The Liebert® XDC monitors room conditions and prevents coil condensation by maintaining the refrigerant being pumped to the cooling modules at a temperature above the room dew point. All functions, such as temperature control, switching pumps (if necessary), etc., are automatic.

The Liebert® XDC's minimum recommended operating load is 40% of system nominal capacity. For example, a Liebert® XDC160 60 Hz system's minimum load would be 64 kW. Loading below this value can unfavorably affect system operation.

See **Table 11.1** on page 124 for the Liebert® XDC160 rated cooling capacity.

Figure 2.1 Liebert® XDC Components



NOTE: Liebert® XDC does not support Teamwork Mode or Standby - Lead/Lag Operation.

2.2 Equipment Inspection

When the unit is delivered, inspect all items for visible and concealed damage. Damage should be immediately reported to the carrier and a damage claim filed with a copy sent to Vertiv or to your sales representative.

NOTICE

Risk of improper storage. Can cause equipment damage.

Keep the Liebert® XDC upright, indoors and protected from dampness, freezing temperatures, and contact damage.

2.3 Equipment Handling



WARNING! Risk of unit falling over. Can cause injury or death. The Vertiv™ Liebert® XDC is top heavy. Use extreme caution when moving and installing this unit. Use lifting equipment that is rated for the weight of the unit by an OSHA-certified rating organization. See **Table 11.1** on page 124 for unit weights. Personnel should be properly trained and certified to move and rig equipment.



CAUTION: Risk of sharp edges, splinters, and exposed fasteners. Can cause personal injury. Only properly trained personnel wearing appropriate safety headgear, gloves, shoes, and glasses should attempt to move, lift, remove packaging from or prepare the unit for installation.

2.3.1 Handling the Liebert® XDC While it is on the Skid and Packaged

- Always keep the unit upright, indoors, and protected from damage.
- If possible, transport the unit using a forklift truck. Otherwise use a crane with slings and spreader cables. In either case, do NOT press on the top edges of the packaging.
- If using a forklift or pallet jack, make sure the forks (if adjustable) are spread to the widest allowable distance to still fit under the skid.
- When moving the skidded unit with a forklift, do not lift the unit any higher than 3 inches (76 mm). If circumstances require the unit to be lifted higher than 3 inches (76 mm), great care must be exercised and all by-standing personnel are to be no closer than 20 feet (6 m) from the lift point of the unit.

NOTICE

Risk of structural interference. Can cause equipment or building damage. While on the skid, the unit is too tall (83 inches (2,108 mm) overall height) to fit through a standard doorway. Any attempt to move the unit, while skidded, through a standard doorway will cause damage to the unit and to the building.

NOTICE

Risk of damage from forklift. Can cause unit damage. Keep the forklift tines level and at a height suitable to fit below the skid and/or unit to prevent exterior and/or underside damage.

NOTICE

Risk of improper storage. Can cause unit damage.

Keep the Liebert® XDC upright, indoors and protected from dampness, freezing temperatures, and contact damage.

NOTICE

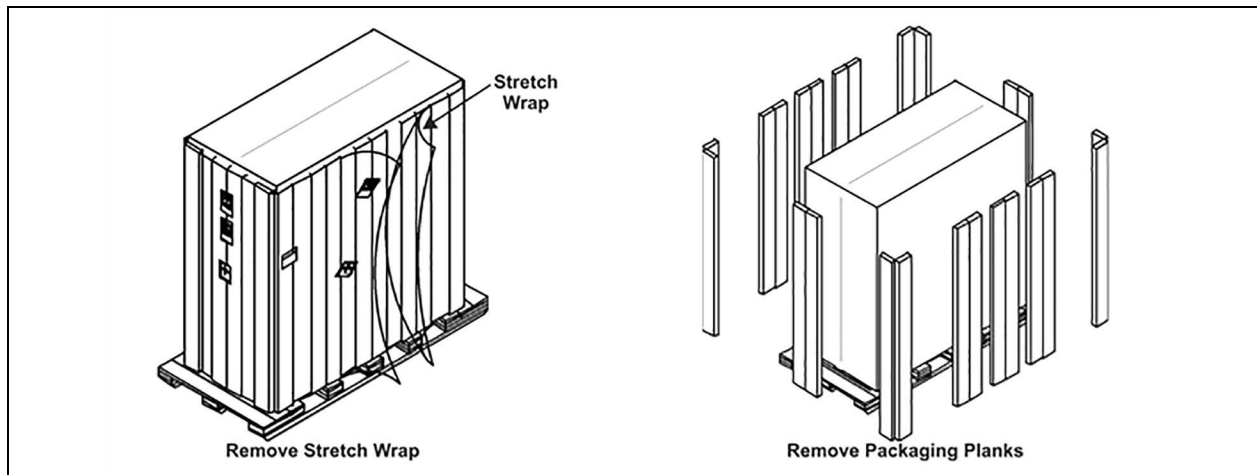
Risk of overtightening securing straps. Can cause damage to panels.

Place a protective material between the straps of the piano jacks and the unit. Ensure that the straps are not tightened to a point of damaging panels.

2.3.2 Unpacking the Vertiv™ Liebert® XDC

1. Remove the exterior stretch wrap packaging from the unit, exposing the protective corner and side packaging planks. See **Figure 2.2** below.
2. Remove the corner and side packaging planks from the unit, exposing the bag over the unit. The bag may remain in place for dust and panel protection or removed for immediate unit installation.
3. Remove the bag from the unit when ready to remove the skid for installation.

Figure 2.2 Unpacking the Liebert® XDC



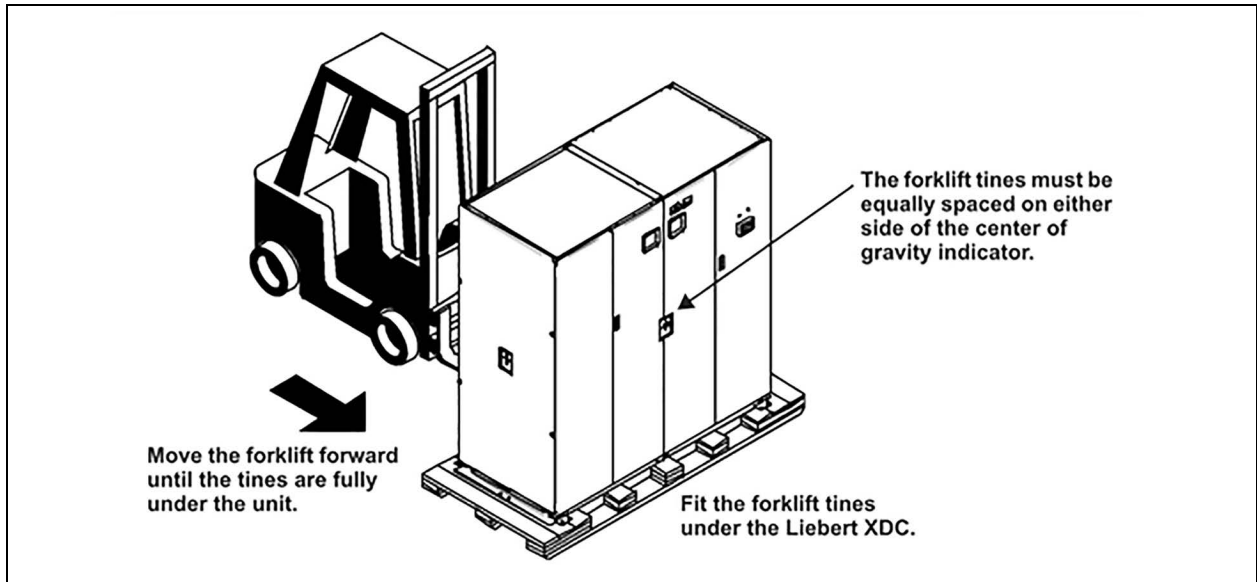
2.3.3 Removing the Unit from the Skid Using a Forklift

1. Align the forklift with either the front or rear side of the unit.
 Make sure the tines of the forklift are locked at their widest position.
 Use the center of gravity indicators to determine the entry points for the tines. The tines must be equally spaced on either side of the center of gravity indicator (see **Figure 2.3** on the next page).
2. Insert the tines of the forklift under the unit.
 Make sure the tines are level. The tines must be low enough to fit under the unit without damaging it.
 Make sure the tines extend beyond the opposite side of the unit.
3. Remove the 12 lag bolts and two brackets that secure the unit to the skid.

NOTE: Each lag bolt is 1-1/2 inches (38 mm) long. They can be removed with a 9/16 inch socket or wrench.

4. Lift the unit to a height that it is not being support by the skid.
5. Move the skid from under the unit.

Figure 2.3 Use a Forklift to Remove the Vertiv™ Liebert® XDC from the Skid



2.3.4 Removing the Unit from the Skid Using Rigging

1. Use the center of gravity indicators on the unit to position the slings. The slings must be equally spaced on either side of the center of gravity indicator (see **Figure 2.4** on the facing page).
2. Place slings under the unit using spaces provided between the skid deck boards.

NOTE: Unit is shown without outer packaging. These instructions may be applied with the outer packaging in place.

3. Use spreader bars or an equivalent method to ensure proper protection of the unit.
4. Ensure that the panels, if attached, are well protected from the slings with cushioning material.

NOTE: If rigging is to be used to move the unit closer to the site for installation, place one or two horizontal straps around the unit and vertical straps at mid height.

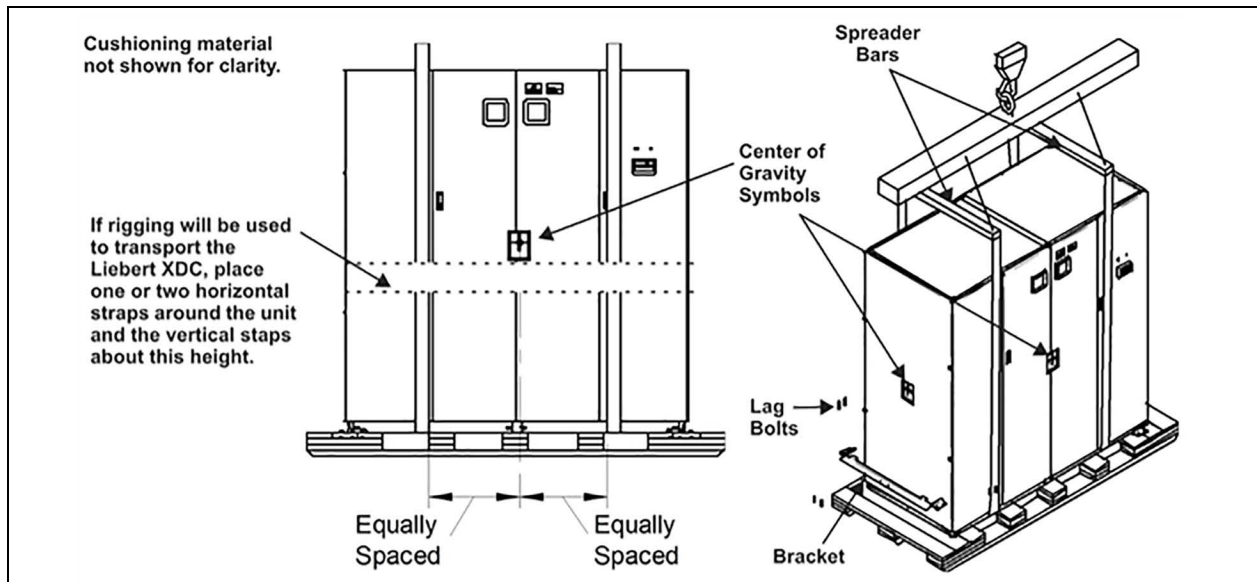
5. Remove the 12 lag bolts and two brackets that secure the unit to the skid.

NOTE: Each lag bolt is 1-1/2 inches (38 mm) long. They can be removed with a 9/16 inch socket or wrench.

6. Lift the unit off of the skid to an elevation point where the skid is not supporting the weight of the unit.
7. Remove the skid from under the unit.

NOTE: Depending on final installation location and the method of moving the Liebert® XDC, the skid may need to remain under the unit.

Figure 2.4 Removing the Unit from the Skid Using Rigging

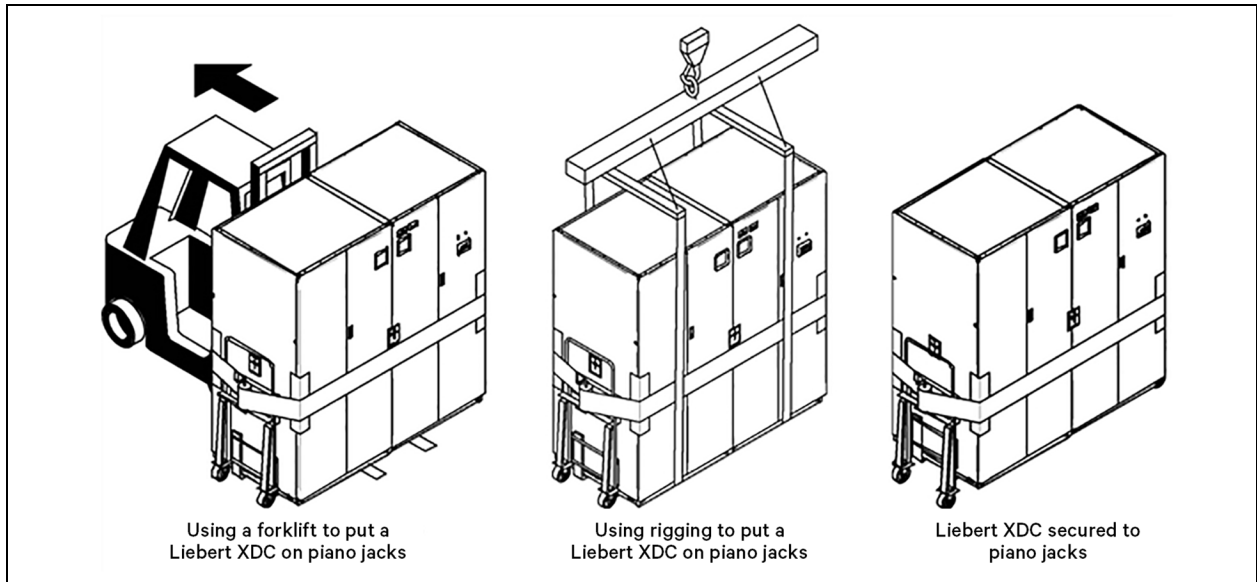


2.3.5 Moving the Vertiv™ Liebert® XDC Using Piano Jacks

1. Elevate the Liebert® XDC with a lifting mechanism, such as a forklift or rigging.
2. Position one piano jack at each end of the Liebert® XDC.
3. Lower the unit to a height suitable for placing it on the piano jacks.
4. Put protective material between the Liebert® XDC and the piano jacks and straps.
5. Secure the Liebert® XDC to the piano jacks.
6. Release the Liebert® XDC from the straps securing it to the lifting mechanism and move the mechanism away from the unit.

Using the piano jacks, at least two properly trained and qualified personnel can move the unit.

Figure 2.5 Securing the Liebert® XDC to Piano Jacks



2.3.6 Removing the Unit from the Piano Jacks

1. Lower the Vertiv™ Liebert® XDC as far as the piano jacks will allow.
2. Undo all strapping holding the piano jacks to the unit.
3. Lift one end of the Liebert® XDC off one piano jack with a pry bar or similar device, taking care not to damage the unit's cabinet.
4. Repeat step 3 to remove the piano jack from under the opposite end of the Liebert® XDC.
5. Remove all material used to protect the unit from the piano jacks and strapping.

3 Installation

The following tables list the relevant documents by number and title.

Table 3.1 Dimensional Planning Drawings

Document Number	Title
DPN001599	Cabinet Dimensional Data Chiller with Liebert® iCOM™ Controls
10025527	Dimensional Data with Floorstand

Table 3.2 Piping Connections

Document Number	Title
DPN001599	Piping connections Chiller with iCOM™ Controls
DPN001419	Floorstand Piping Connections Water/Glycol Cooled Models

3.1 Mechanical Considerations

3.1.1 Positioning the Vertiv™ Liebert® XDC

Install the Liebert® XDC according to the site specific documentation and secure the unit to the floor.

The Liebert® XDC can be installed near a wall or another Liebert® XDC. However, there must be at least 3 feet (92 cm) clearance in front of the Liebert® XDC as service access for components in the unit.

NOTE: During installation of the Liebert® XDC, the top, bottom, front, and left side of the unit must be accessible.

Table 3.3 Liebert® XDC Dimensions and Weight

Air Cooled Model	Dimensional Data Inches (mm)						Shipping Weight lbs. (kg)	
	A	B*	C	D	E	F	Domestic	Export
50/60Hz XDC160	74 (1880)	34 (864)	33-1/8 (841)	33 (838)	72 (1,829)	78 (1,981)	1,975 (896)	2,109 (957)

*Dimension does not include the bezel of the disconnect switch, the handle or the control bezel.
Source: DPN001599 Rev. 7, Pg. 2

Table 3.4 Vertiv™ Liebert® XDC Piping Connection Sizes

50/60 Hz	Piping Outlet Connection Sizes, OD Cu, Inches			
	A	B	C	D
XDC160	2-1/8	1-1/8	1-3/8	7/8

Source: DPN001599 Rev. 7, Pg. 3

3.1.2 Placing the Vertiv™ Liebert® XDC on a Floor Stand



WARNING! Risk of top heavy unit falling over. Improper handling can cause equipment damage, injury or death.

Only properly trained and qualified personnel wearing appropriate safety headgear, gloves, shoes, and glasses should attempt to move, lift, remove packaging from or prepare unit for installation.

Read all of the following instructions before attempting to move, lift, remove packaging from or prepare unit for installation.

The water/glycol floor stand can be located beneath the Liebert® XDC unit or can be installed nearby.



CAUTION: Risk of heavy unit falling into defective raised floor. Can cause injury and equipment damage. Prior to installation, all floor tiles immediately around floor stand are to be removed and inspected. Make sure tiles are not cracked, and ribs have not been cut. If free from defects, re-install. Replace with new tiles if defects are found.

NOTE: Consult the factory if the Liebert® XDC is not installed on the water/glycol condenser floor stand to prevent exceeding the maximum piping distances.

Unit to be placed onto floor stand using process that will provide safest method based on site layout. Professional installers to be used when placing unit. Unit may require lift onto a floor stand if elevated flooring has not been installed. If flooring is installed, unit will be placed over floor opening containing floor stand.

Refer to the floor stand installation sheet shipped inside the water regulating valve package.

1. Move the floor stand assembly to its installation area and uncrate the unit.
2. Position the floor stand in its final location.
3. Insert leveler pads into each floor stand leg.
4. Level the top of the floor stand to the specified height with the flanged adjusting nut.
5. Tighten jam nuts on all legs against flanged adjusting nuts.
6. Using an appropriate lifting device or method, raise the Liebert® XDC and move it above the floor stand.
7. Align the welded tabs on top of the floor stand with the inside of the unit frame base (see Detail A in **Figure 3.1** on the facing page).
8. Maintaining the alignment of the Liebert® XDC and the floor stand, lower the Liebert® XDC onto the floor stand.
9. Connect the hot gas refrigerant lines from the Liebert® XDC to the floor stand with 1-3/8 inch tubing (see **Figure 3.1** on the facing page and **Figure 3.2** on page 18).
10. Connect the liquid refrigerant lines as shown from the Liebert® XDC unit to the floor stand with 7/8 inch tubing (see **Figure 3.1** on the facing page and **Figure 3.2** on page 18).
11. Connect the water lines as shown with the provided valving (see **Figure 3.1** on the facing page and **Figure 3.2** on page 18).
12. Connect capillary lines from each water regulating valve to condensers in the floor stand (see **Figure 3.1** on the facing page and **Figure 3.2** on page 18).

Capillary length is limited to 48 inches (1,219 mm).

13. Check the pipes for leaks and evacuate air from all pipes.
14. Insulate all water/glycol lines.

- Charge each condenser loop with R-407C (see **Table 4.16** on page 53).

Figure 3.1 Water/Glycol Vertiv™ Liebert® XDC on a Floor Stand—Positioning and Piping Connections

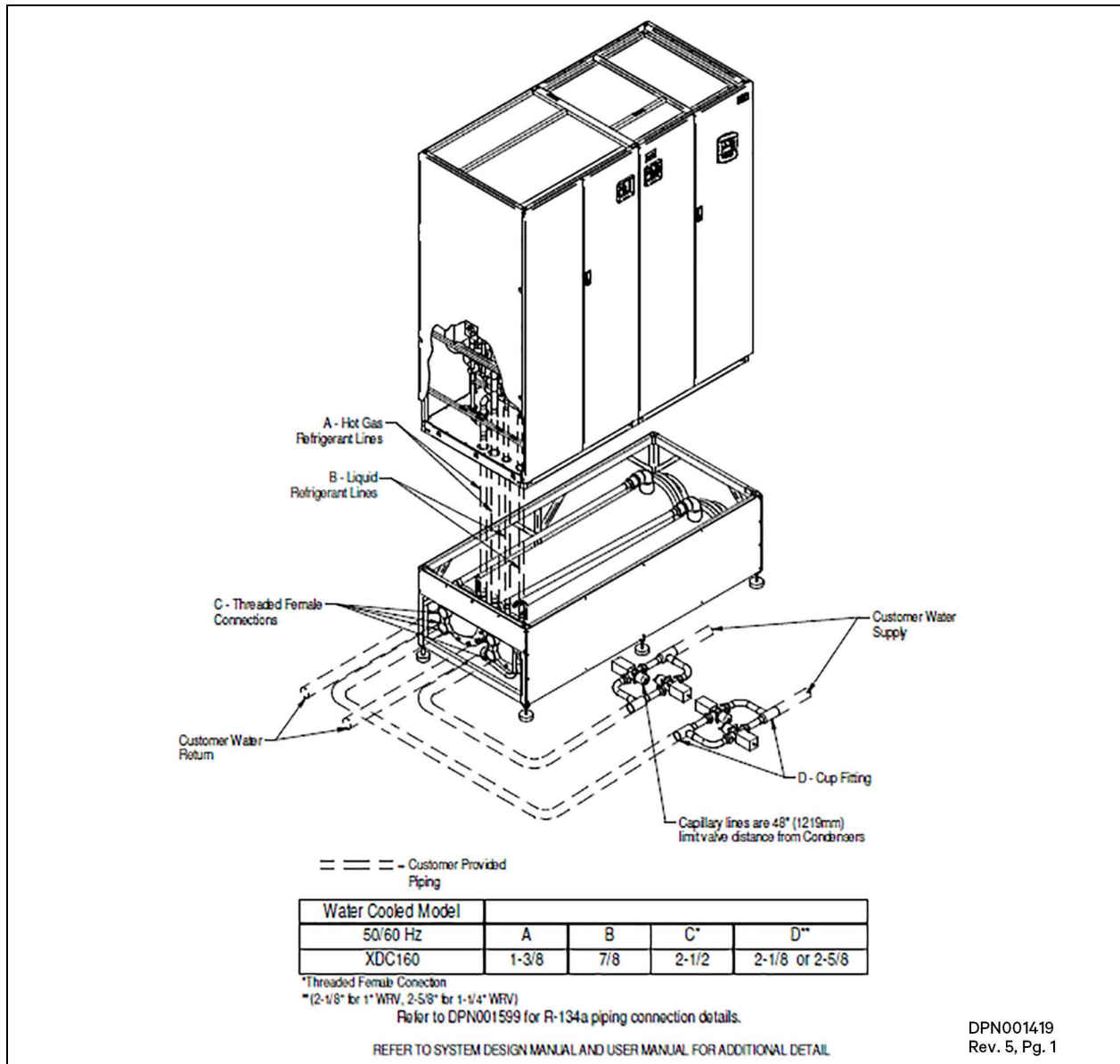


Table 3.5 Liebert® XDC Water/Glycol Piping Connection Sizes

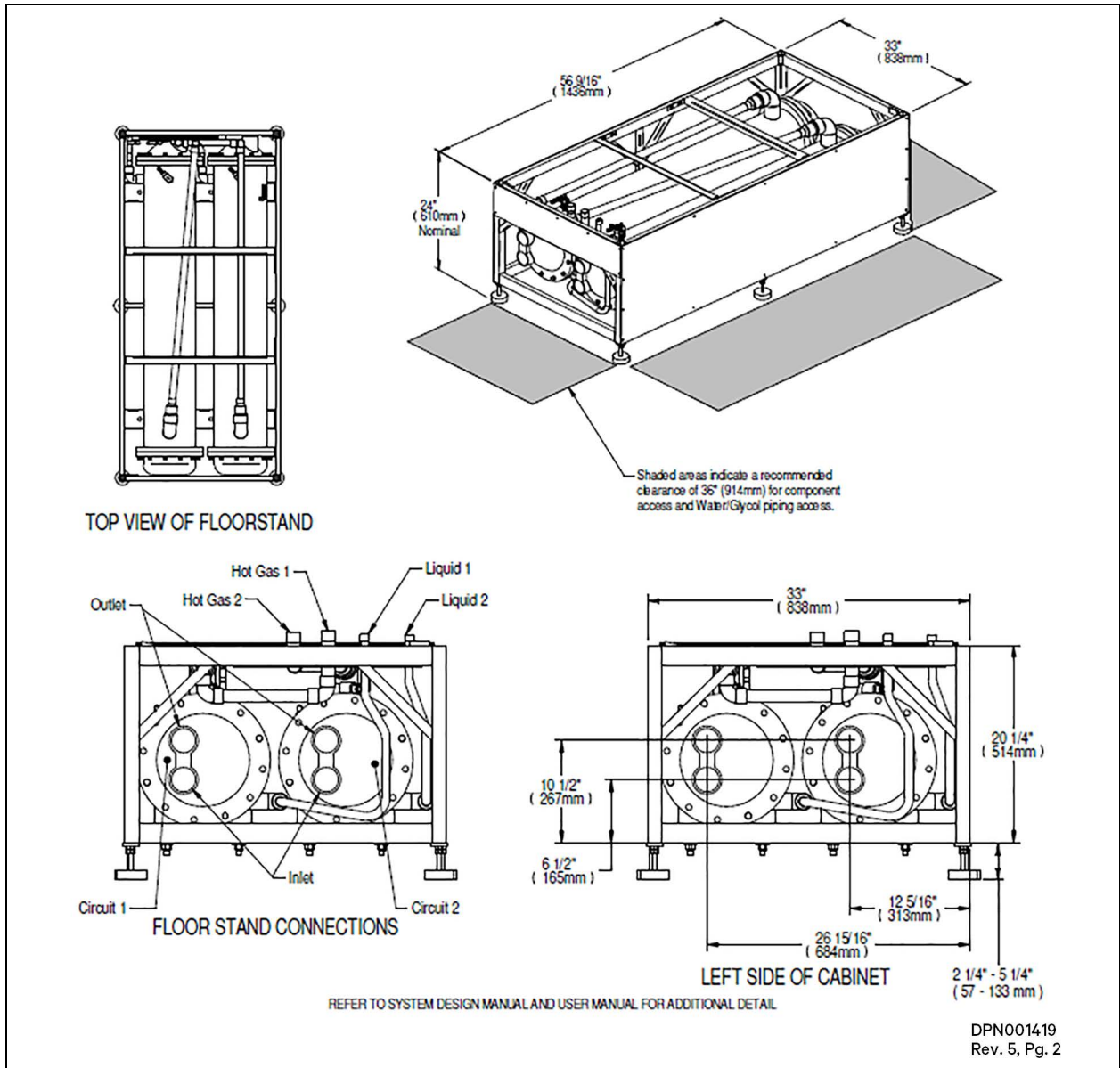
Model	Piping Outlet Connection Sizes, OD Cu, Inches					
	A	B	C	D	E ¹	F ²
50/60 Hz						
XDC160	2-1/8	1-1/8	1-3/8	7/8	2-1/2	2-1/8 or 2-5/8

1. Threaded female connection

2. 2-1/8" for 1" water regulating valve; 2-5/8" for 1-1/4" water regulating valve

Source: DPN001419 Rev. 2

Figure 3.2 Piping Locations, Floor Stand and Valve Assembly



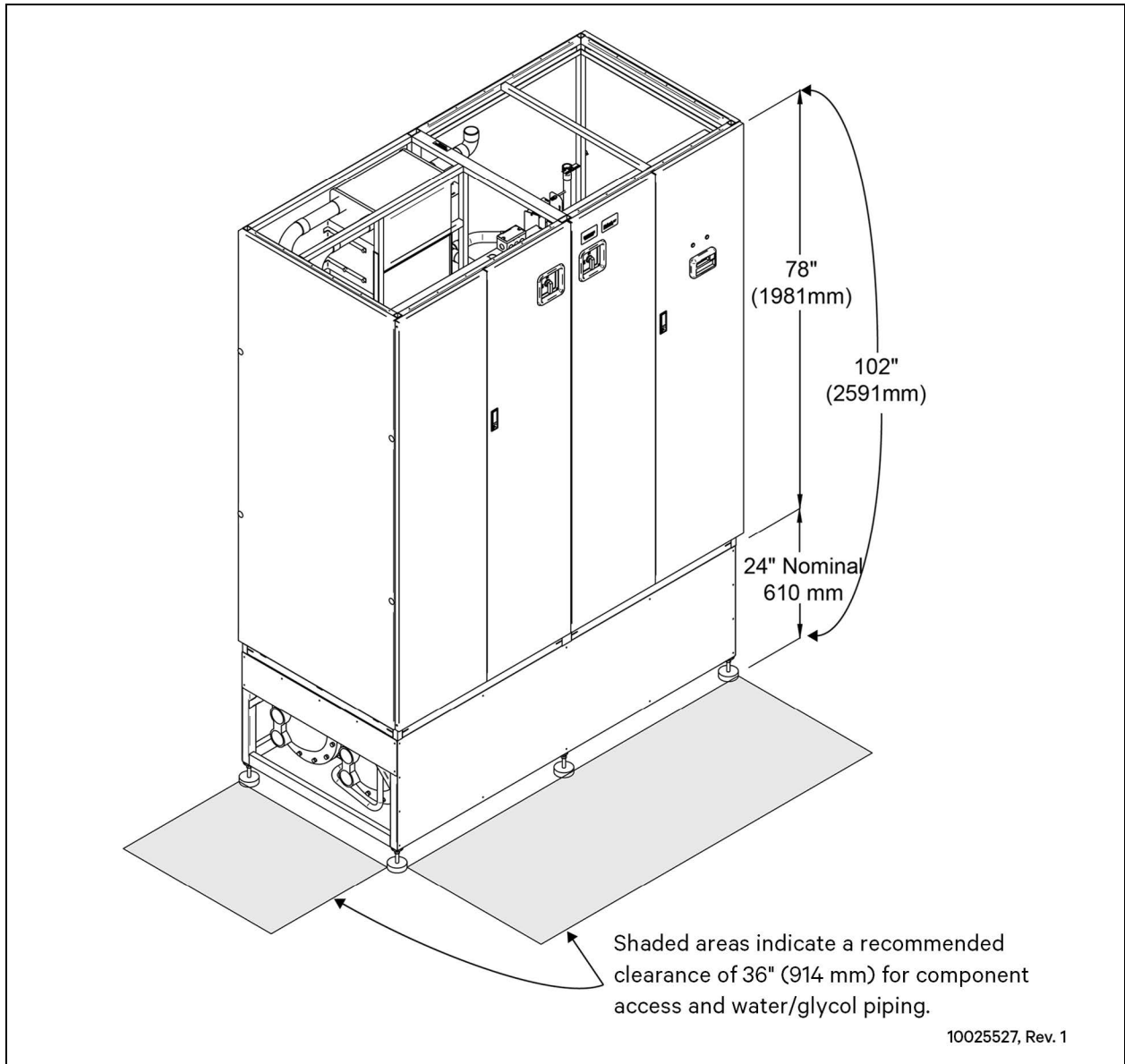
3.1.3 Positioning the Vertiv™ Liebert® XDC with Floor Stand

Install the Liebert® XDC according to the site-specific documentation and secure the unit to the floor.

The Liebert® XDC can be installed near a wall or another Liebert® XDC. There must be at least 3 feet (914 mm) clearance in front of the Liebert® XDC for service access. When the Liebert® XDC is combined with the optional water/glycol floor stand, Vertiv recommends leaving 3 feet (914 mm) of clearance on the left side of the unit.

Liebert® XDC on a floor stand is 102 inches (2591 mm) high (see **Figure 3.3** on the facing page). The unit can be raised or lowered 1.5 inches (38.1 mm) with the leveling feet.

Figure 3.3 Dimensions and Clearances for Vertiv™ Liebert® XDC on Floor Stand



3.2 Electrical Considerations

The electrical connections are described in the submittal documents included in the [Submittal Drawings](#) on page 129.

The following table lists the relevant documents by number and title.

Table 3.6 Electrical Field Connection Drawings

Document Number	Title
10025529	Electrical Enclosure Location Primary and Secondary Enclosures
10025531	Connection Locations High Voltage 60Hz, 50Hz
10025532	High Voltage Connection Locations Secondary Disconnect 60Hz, 50Hz
10025530	Connection Locations heat Rejection
302210	Liebert® XDC with Liebert® iCOM™/CAN ISO Controls Board Layout and Lug Assignments
DPN001599	Low Voltage Electrical Connections Chiller with Liebert® iCOM™ Controls

3.2.1 High Voltage Connections

Make sure the actual supply voltage and frequency correspond to the voltage and frequency indicated on the Vertiv™ Liebert® XDC's rating plate.

Connect cables for high voltage supply to the electrical box in the Liebert® XDC and make sure that the phases are correctly connected.



WARNING! Arc flash and electric shock hazard. Can cause serious injury or death. Building and equipment damage may also result. Disconnect all local and remote electric power supplies and wear appropriate, OSHA-approved personal protective equipment (PPE) per NFPA 70E before working within the electric control enclosure. Customer must provide earth ground to unit, per NEC, CEC and local codes, as applicable.

Verify with a voltmeter that power is Off. The Vertiv™ Liebert® iCOM™ controller does not isolate power from the unit, even in the "Unit Off" mode. Some internal components still require and receive power even during the "Unit Off" mode of the Liebert® iCOM™ controller. The factory-supplied, optional disconnect switch is inside the unit. The line side of this switch contains live high voltage. The only way to ensure that there is NO voltage inside the unit is to install and open a remote disconnect switch. Refer to unit electrical schematic.

Before proceeding with installation, read all instructions, verify that all the parts are included and check the nameplate to be sure the voltage matches available utility power. Follow all local codes.



WARNING! Risk of electric shock. Can cause serious injury or death. Building and equipment damage may also result. Open all local and remote electric power supply disconnect switches and verify that power is off with a voltmeter before working within any electric connection enclosures. The Liebert® iCOM™ controller does not isolate power from the unit, even in the "Unit Off" mode. Some internal components require and receive power even during the "unit off" mode of the Liebert® iCOM™ controller.

Installation, service, and maintenance work must be performed only by properly trained and qualified personnel and in accordance with applicable regulations and manufacturers' specifications. Opening or removing the covers to any equipment may expose personnel to lethal voltages within the unit even when it is apparently not operating and the input wiring is disconnected from the electrical source.



WARNING! Risk of short circuits and electric shock. Can cause serious injury or death. Building and equipment damage can result from cut insulation or damaged wires. Can cause overheated wiring, smoke, fire, activation of fire suppression systems and EMS personnel, and loss of power to fans. Verify that all wiring connections are tight and that all wiring is contained within the junction box prior to closing and securing the cover.

Insert CSA-certified or UL-listed bushings into holes and/or knockouts used to route wiring through metal panels to protect the wire insulation from contact with sheet metal edges.



WARNING! Risk of improper wire sizing/rating and loose electrical connections causing overheated wire and electrical connection terminals resulting in smoke or fire. Can cause serious injury or death. Building and equipment damage may also result. Use correctly sized copper wire only and verify that all electrical connections are tight before turning power On. Check all electrical connections periodically and tighten as necessary.



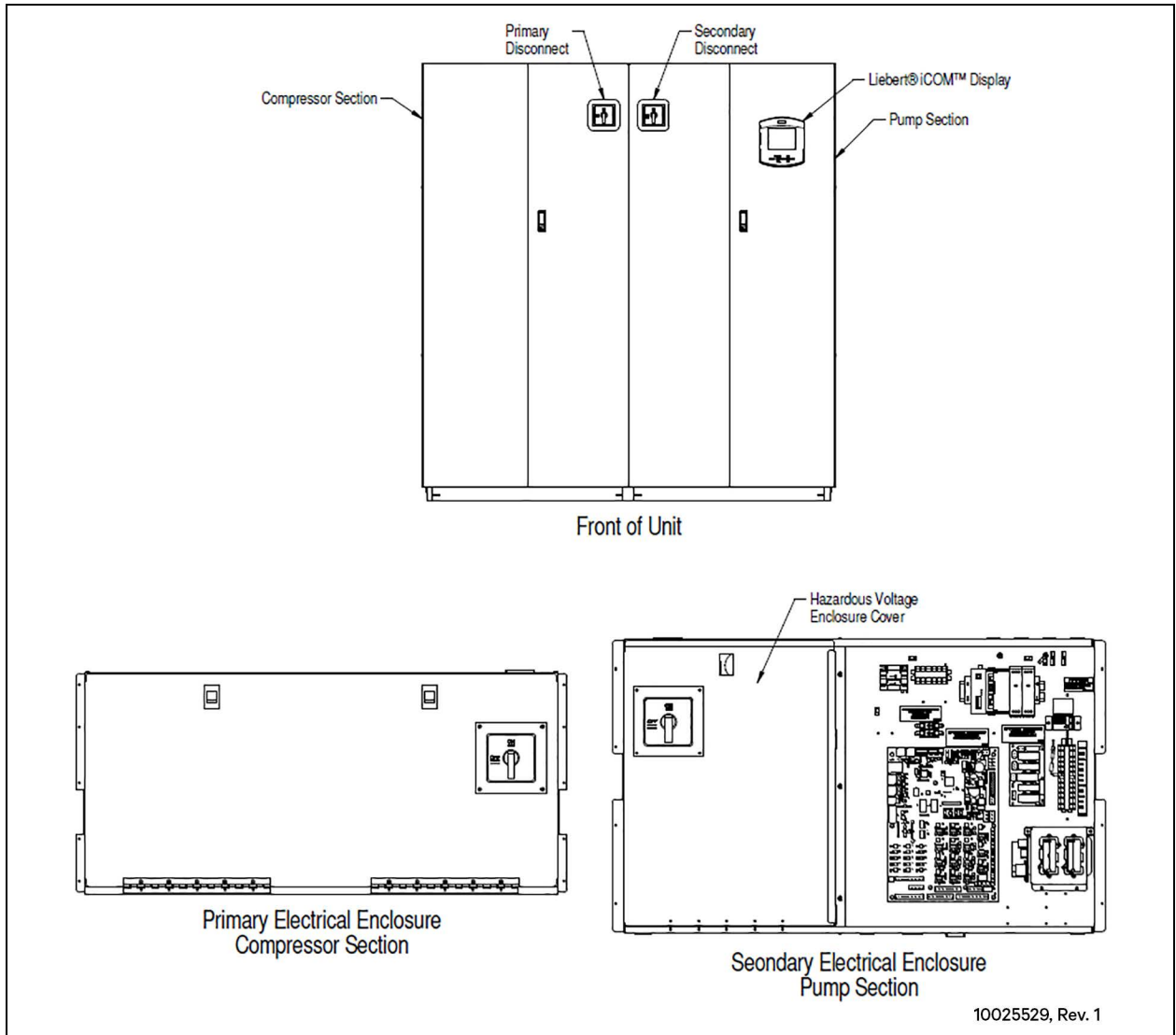
WARNING! Risk of electrical shock, short circuit and/or control malfunction. Can cause equipment damage injury and death. Damage to wiring or components can make unit unsafe to operate. Use caution when installing wiring to prevent damage to factory wiring. Install protective bushings in wiring knockouts as required to protect wiring from sharp edges. Do not disturb factory wiring or route field installed wiring over electrical terminals. Use NEC Class 1 wiring for all hazardous voltage electrical power supplies. Check and re-tighten all wiring connections before starting the unit.

NOTE: Before beginning to install the Vertiv™ Liebert® XDC, read all instructions, verify that all the parts are included, and check the nameplate to be sure the Liebert® XDC voltage matches available utility power. Follow all local codes.

3.2.2 Connecting High Voltage Cables

1. Turn the Vertiv™ Liebert® XDC's primary disconnect switch to the Off position (**Figure 3.4** on the next page). Open the front doors and push down on the enclosure cover latch to open the hazardous voltage enclosure cover.

Figure 3.4 Front View of Vertiv™ Liebert® XDC and Electrical Enclosures



2. Determine which knockouts in the electrical enclosure will be used and remove them (see **Figure 3.5** on the facing page).
3. Route the input hazardous voltage electrical power wiring through the top right knockout on the primary electrical enclosure to the disconnect switch L1, L2, and L3 (see **Figure 3.5** on the facing page). Observe proper phasing.
4. Connect the ground wire to the ground lug (see **Figure 3.5** on the facing page , **Figure 3.7** on page 24 **Figure 3.6** on the facing page , and **Figure 3.8** on page 24 for 50 Hz models).

Figure 3.5 60 Hz Models, Voltage Connections—Primary Disconnect Switch

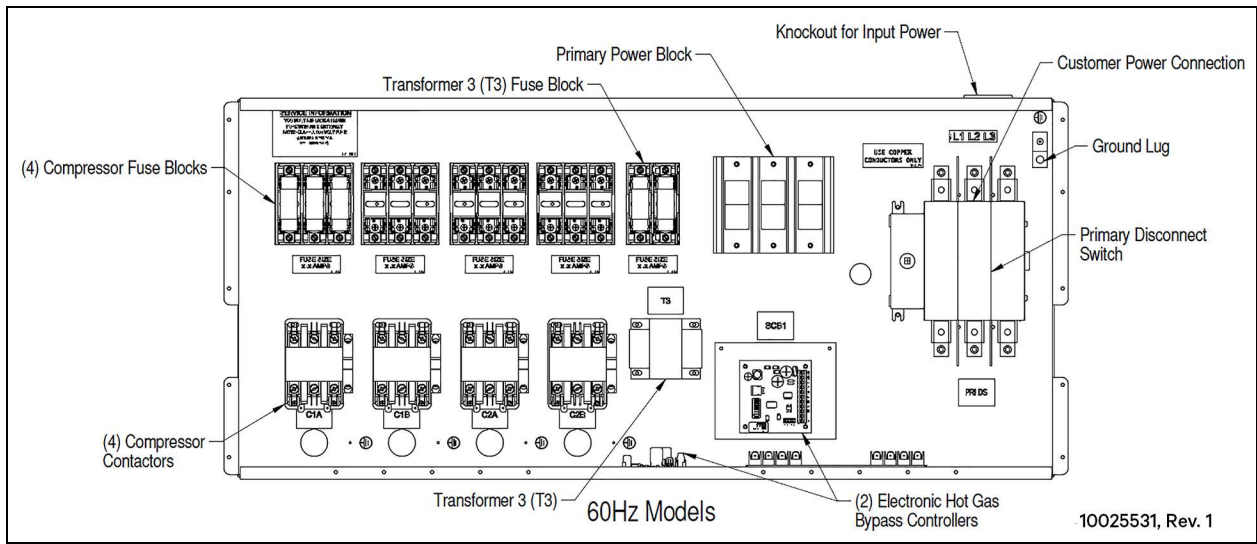


Figure 3.6 50 Hz Models High Voltage Connections—Primary Disconnect Switch

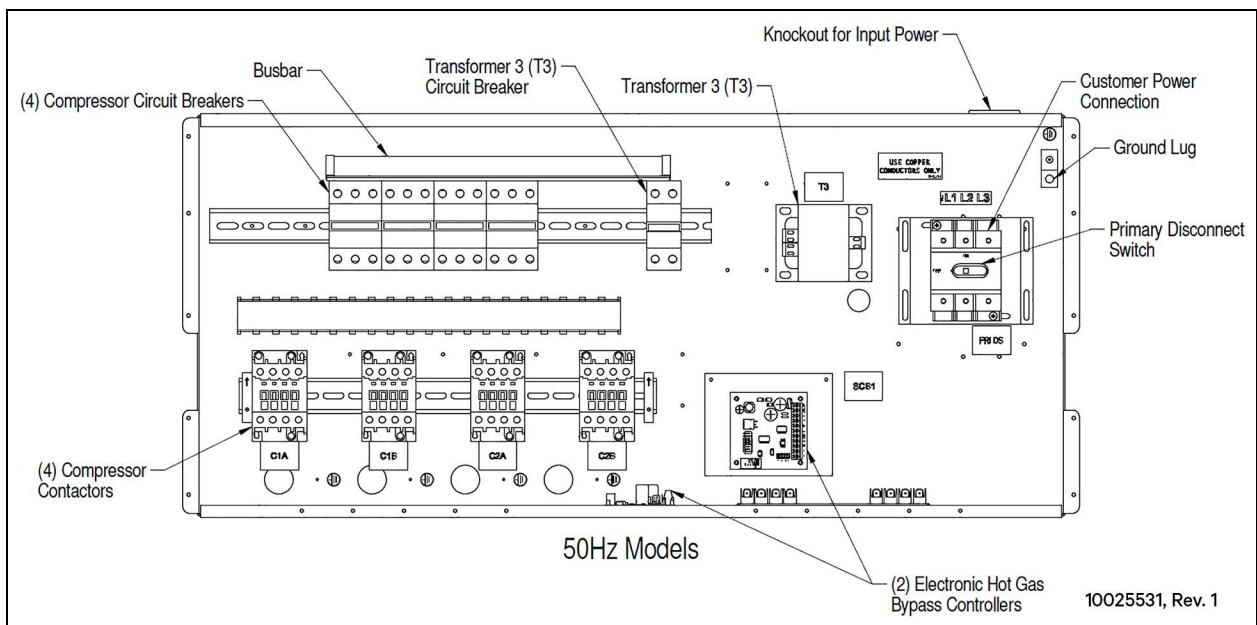


Figure 3.7 60 Hz Models High Voltage Connections—Secondary Disconnect Switch

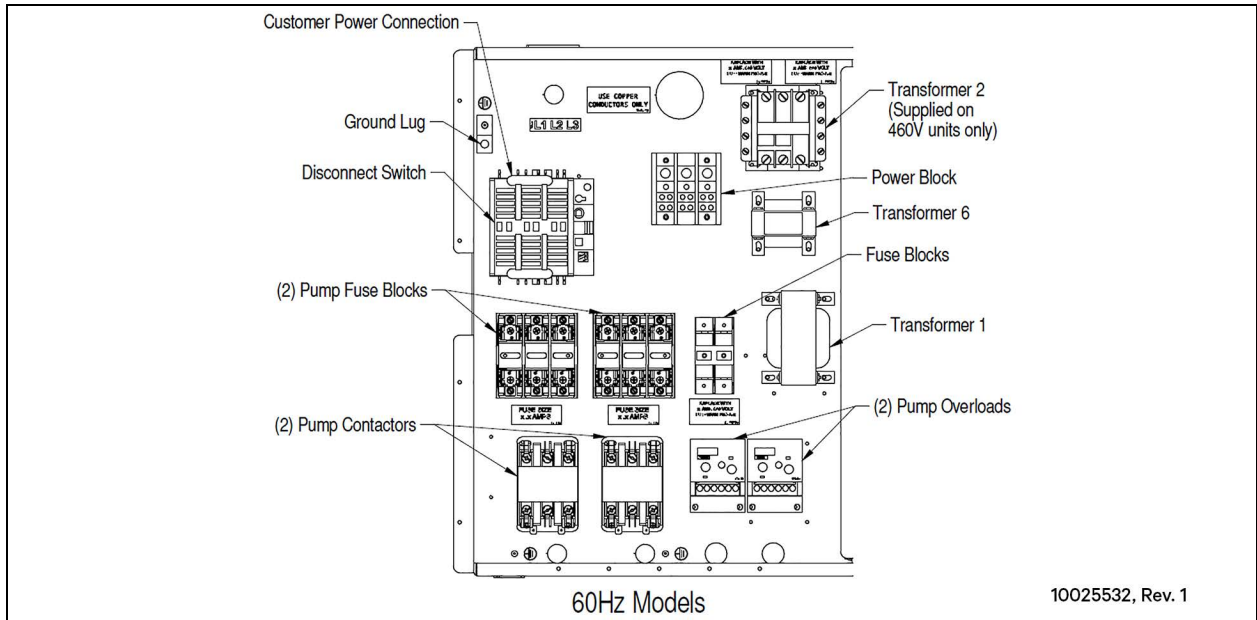
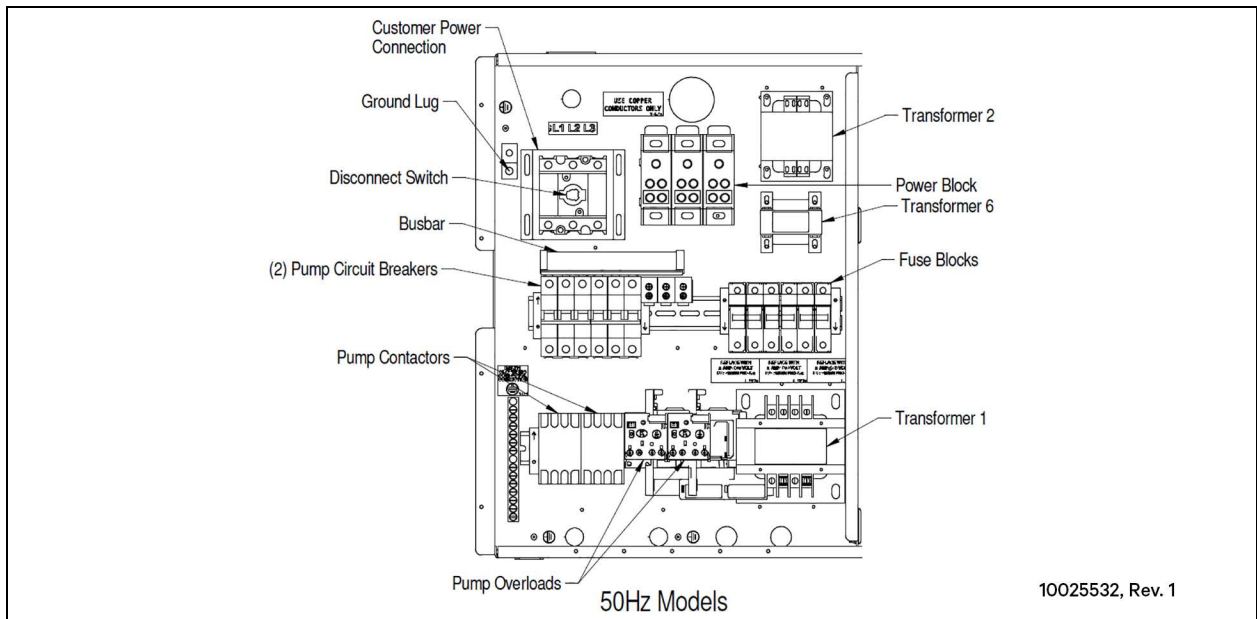


Figure 3.8 50 Hz Models High Voltage Connections—Secondary Disconnect Switch



3.3 External Pump Overloads

The Vertiv™ Liebert® XDC is shipped with external pump overload with trip point settings and DIP switch settings for normal operations. The trip points are in increments of 0.25A and should not be changed from the factory settings. For 460 V 60 Hz and 380-400 V 50 Hz units, the trip point is set at 1.5A (**Figure 3.9** on the facing page). See **Figure 3.11** on the facing page for factory DIP switch settings for normal operation with reset mode set as automatic and Trip Class 20.

Figure 3.9 460 V 60 Hz and 400 V 50 Hz Factory Setting External Pump Overload Trip Point

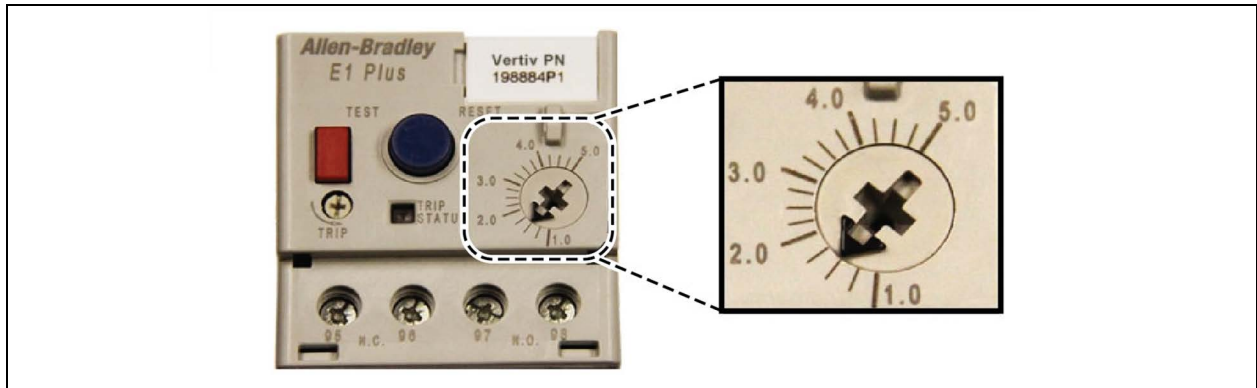


Figure 3.10 208 V Factory Setting External Pump Overload Trip Point

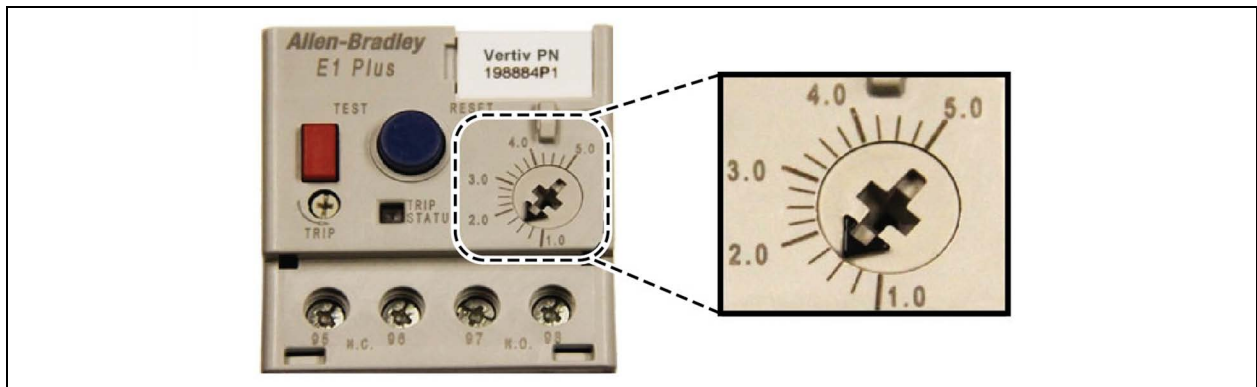
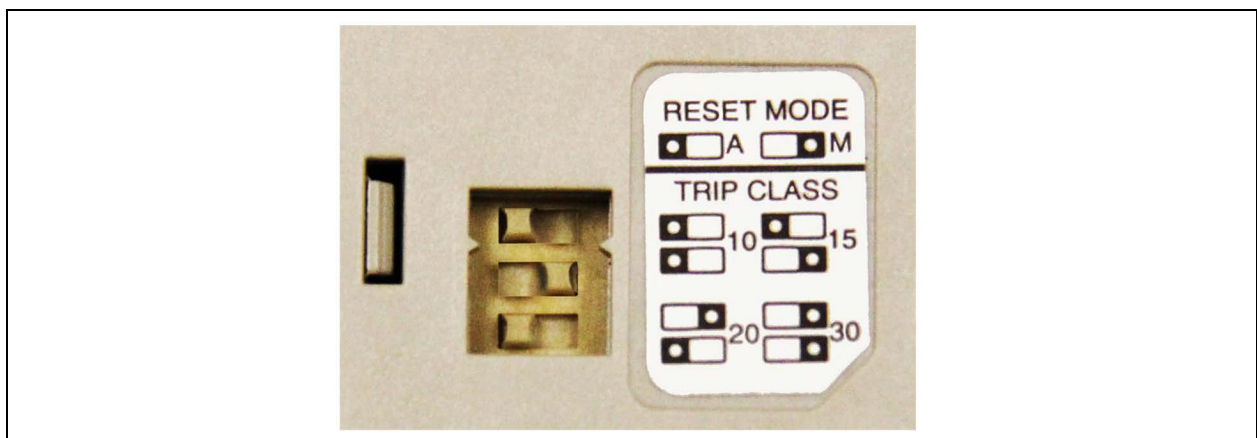


Figure 3.11 Factory DIP Switch Settings



3.4 Extra Low Voltage Connections

Extra Low Voltage (ELV) power output is 30 V and 100 VA or less.

1. Turn off all unit power before connecting cables or wires. Failure to do so may damage this equipment.
2. Route the low voltage electrical connections through the appropriate knockouts as shown in **Figure 3.14** on page 28.

3. User interface and temperature/humidity sensor wire is NEC Class 2. All electrical installation must comply with all national, state, and local requirements.

Figure 3.12 Vertiv™ Liebert® XDC Heat Rejection Connection Points

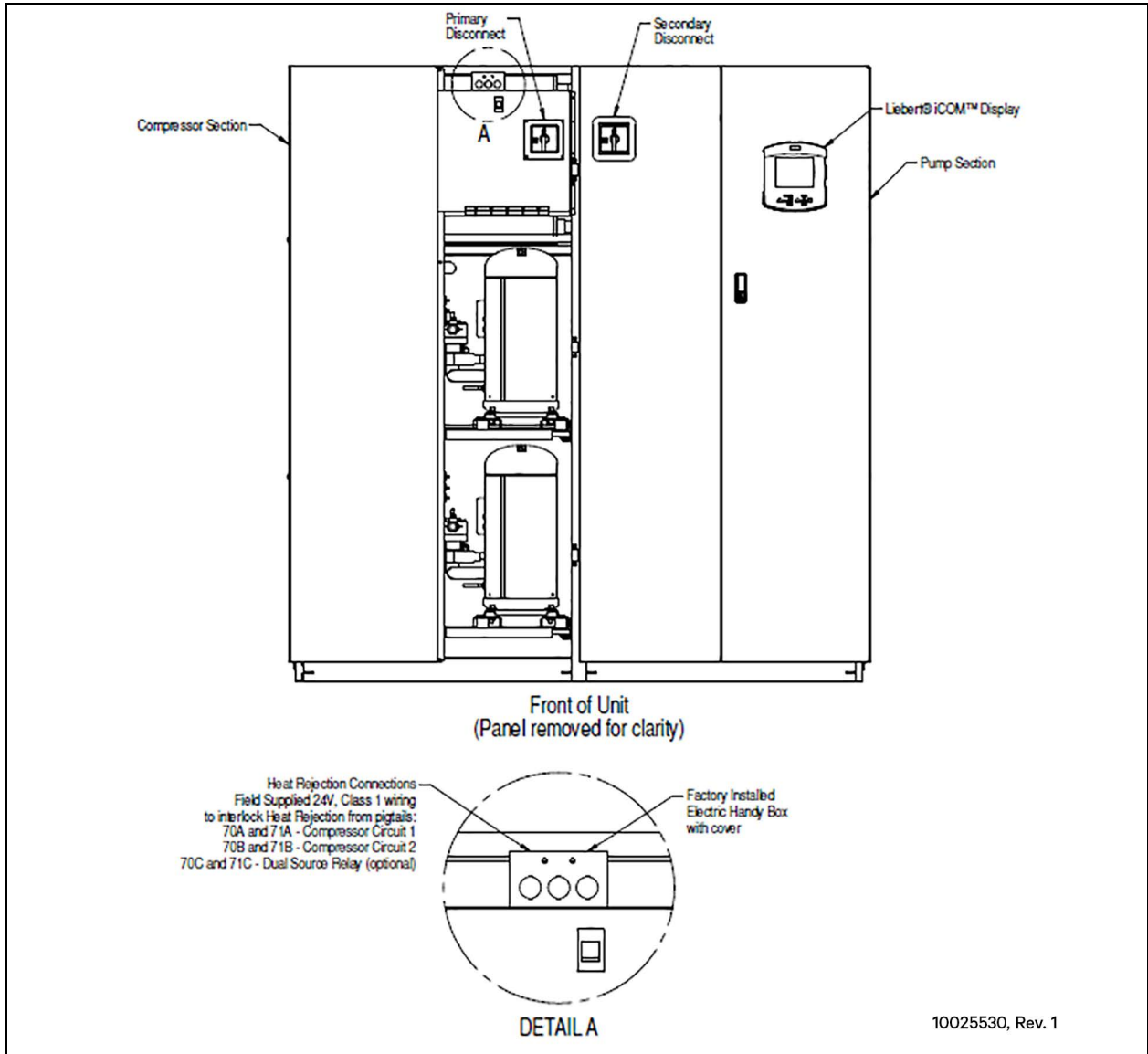
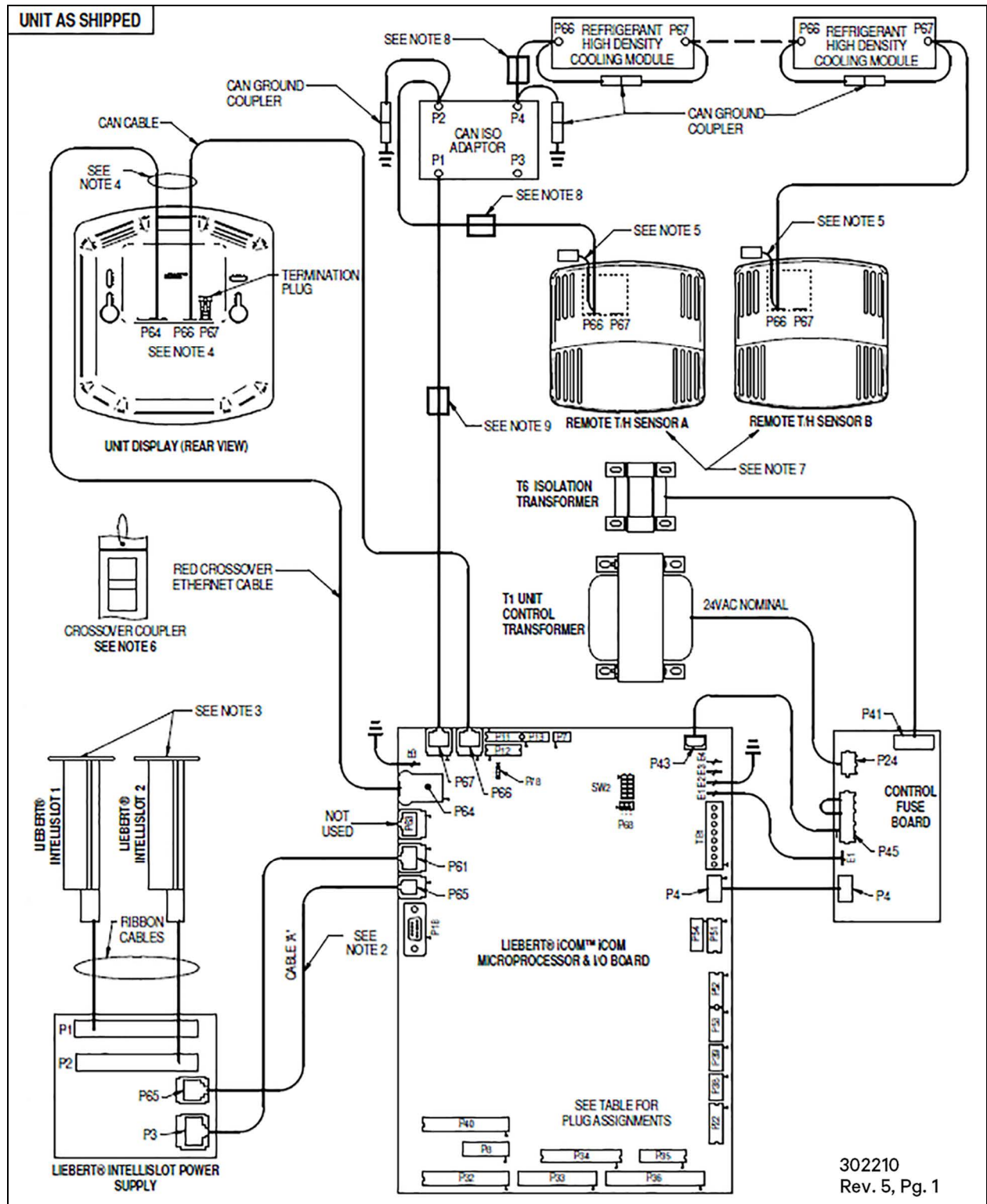
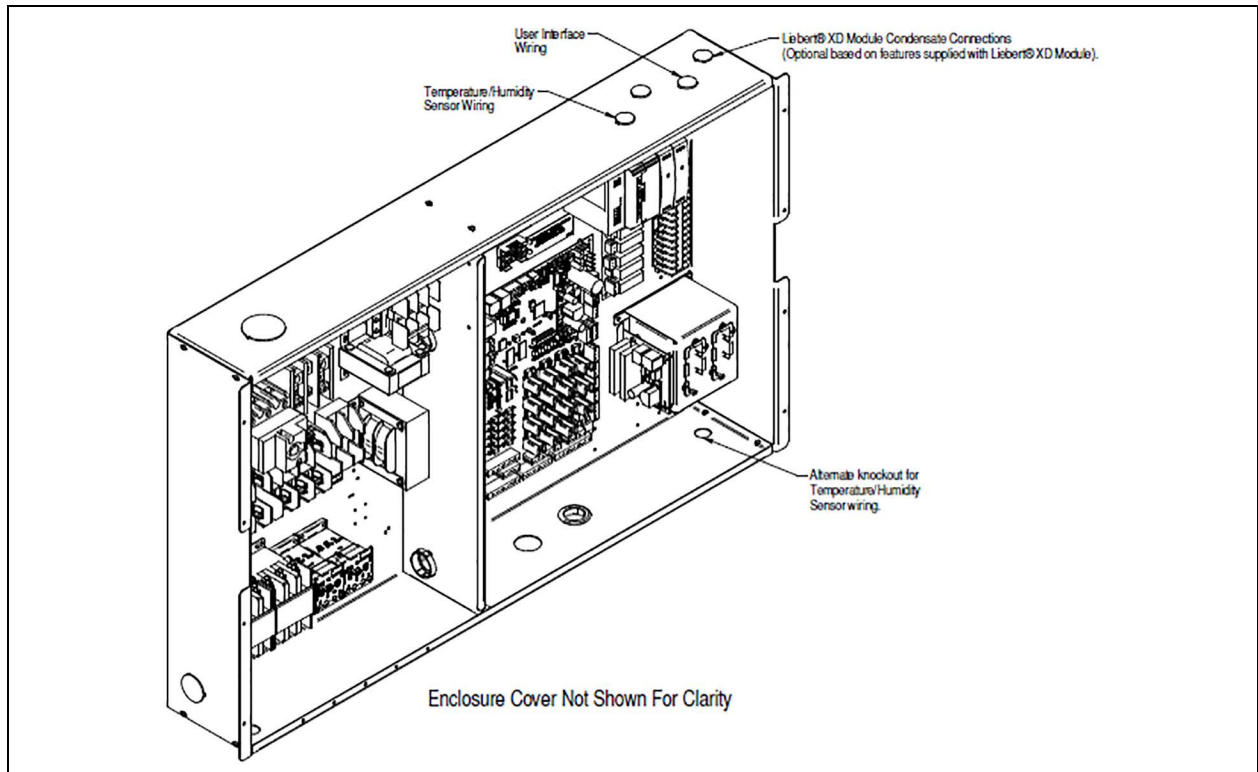


Figure 3.13 Connecting Remote Temperature/Humidity Sensors



Notes on Figure 3.13 on the previous page .

1. See unit electrical schematic, installation and user manuals.
2. Cables A and B provided with each unit. Only one is used as follows:
 - a. Vertiv™ Liebert® IntelliSlot™-Based Communications—Cable A is pre-connected to P65 on the microprocessor and I/O board and P65 on Liebert® IntelliSlot™ power supply.
 - b. Non-Liebert IntelliSlot™-Based Communications—Cable B is pre-connected to Terminals 77 and 78 but must be exchanged with Cable A at P65 on the microprocessor and I/O board.
3. Install applicable Liebert® IntelliSlot™ cards.
4. Both cables (P64 and P66) are required.
5. It is not necessary to connect ground coupling on end of cable connected to Sensor A or B.
6. A crossover coupler is provided for unit-to-unit (U2U) networking. Unplug the red cable from P64 on the microprocessor and I/O board and connect to one side of the crossover coupler. The first customer connection point is to P64 on the microprocessor and I/O board. The second customer connection point is to the other side of the crossover coupler. This connects the microprocessor and I/O board and display to the private U2U network.
7. The remote sensors are interchangeable as to which connects to the Liebert® XD cooling module and which connects to P2 on CAN ISO.
8. Field install cables with factory installed ferrite beads (when provided, typical two places). Each cable must make three passes through the ferrite bead. Locate the ferrite bead on top of the electric box. See instruction sheet provided with the cable assembly.
9. Factory installed ferrite bead (when provided). Cable passes through ferrite bead three times.

Figure 3.14 Electrical Enclosure Knockout Locations for Extra Low Voltage Connections

3.4.1 Field Connections—All Units

- Place Sensor A in the higher temperature portion of the cold aisle where the Vertiv™ Liebert® XD modules are located. Alternatively, it may be placed on the return air side of the primary air mover (e.g., Vertiv™ Liebert® DS) in the room if it represents the conditions where all the Liebert® XD cooling modules are located. Do not install the sensor where ambient air might cause false readings, for example, near unsealed doors, windows, and similar areas.
1. Unpack the two remote temperature/humidity sensors and cables. One sensor is labeled Sensor A and the other, Sensor B. The sensor cables are interchangeable; each bears labels indicating Sensor End and Unit End.
 2. Connect the Sensor End of one of the supplied sensor cables to P66 on Sensor A. See **Figure 3.13** on page 27 .
 3. Connect the Unit End of the sensor cable to P4 on the CAN Isolator inside the Vertiv™ Liebert® XDC (see **Figure 3.13** on page 27). Secure the terminal plug on the cable shield into the terminal plug adjacent to P2 (see **Figure 3.13** on page 27).
 4. Connect the Sensor End of the second sensor cable to P66 on Sensor B (see **Figure 3.13** on page 27).
 5. Connect the Unit End of the cable to P4 on the CAN Isolator inside the Liebert® XDC (see **Figure 3.13** on page 27). Secure the terminal plug on the cable shield to the terminal plug adjacent to P4 (see **Figure 3.13** on page 27).

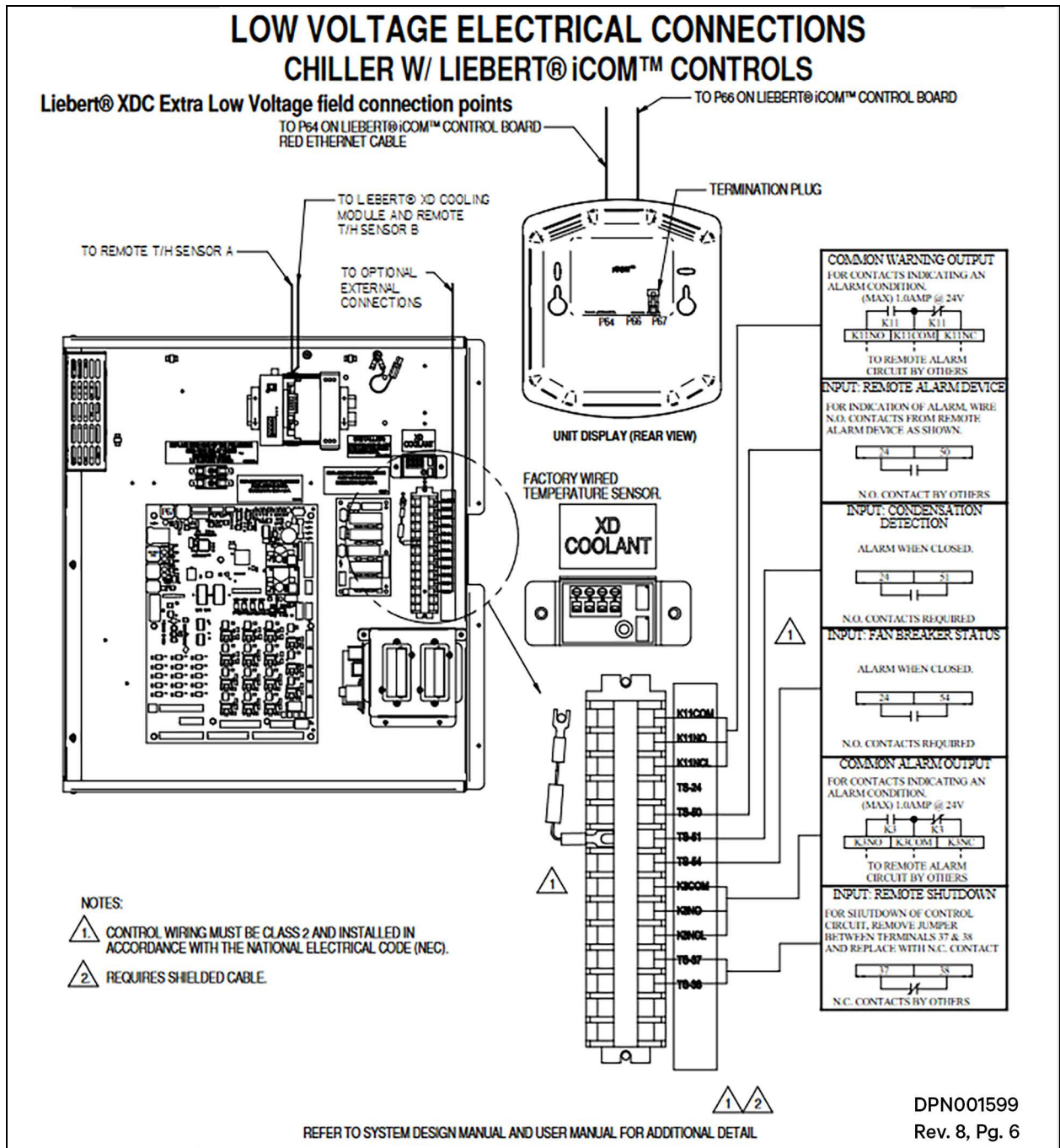
3.4.2 Field Connections—Optional for All Units

Connect optional field wiring from remote devices to Remote Alarm Device, Common Alarm Output, IGM, and Remote Shutdown, if applicable. See terminal strip descriptions in **Figure 3.15** on the next page .

3.4.3 Field Connections—Air Cooled Units only

Connect field wiring to heat rejection connection terminals on the handy box as shown in **Figure 3.12** on page 26 .

Figure 3.15 Extra Low Voltage Field Connection Points

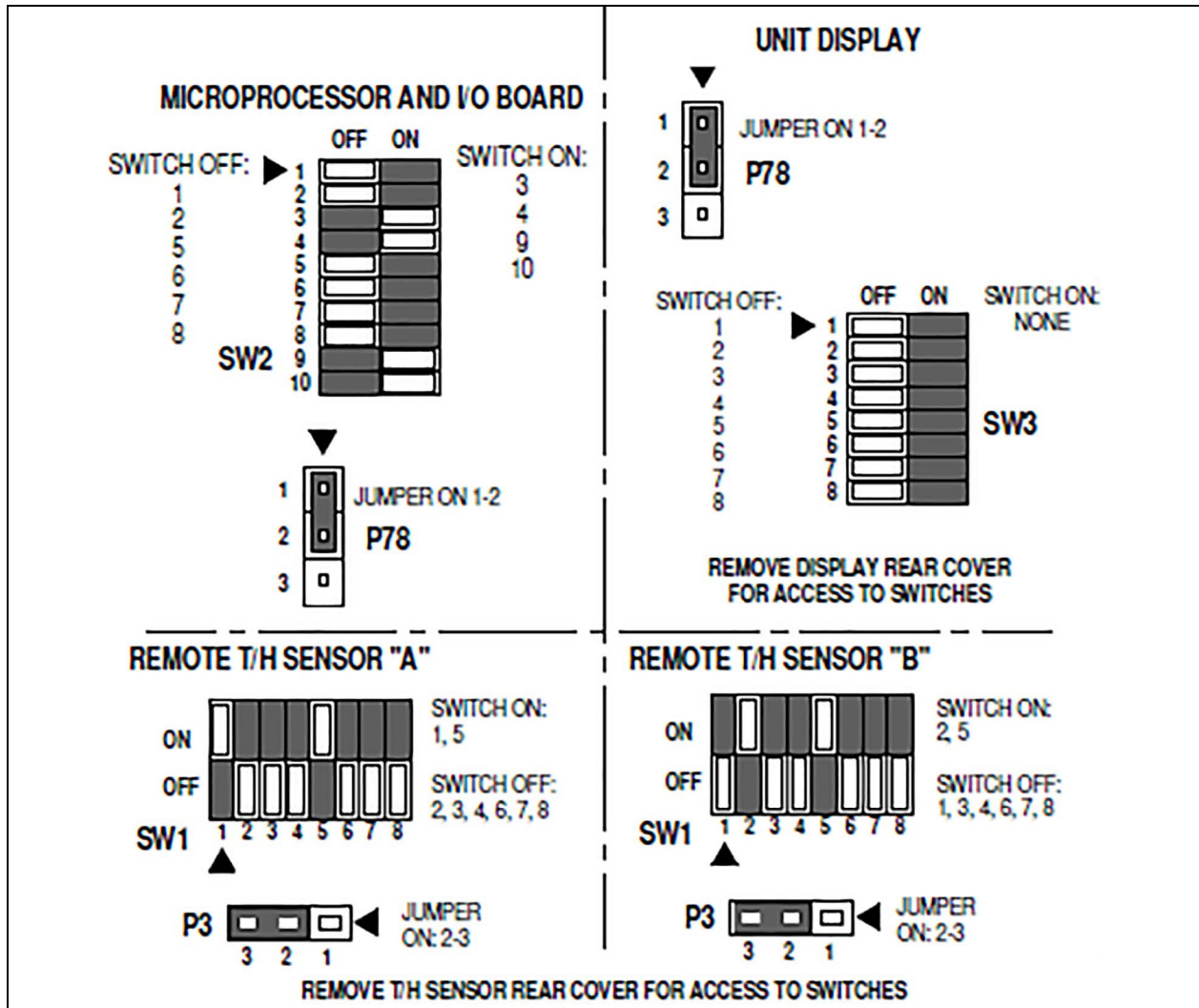


NOTE: Liebert® XDC does not support Teamwork Mode or Standby - Lead/Lag operation.

3.4.4 DIP Switch and Jumper Settings for Remote Sensors

The Vertiv™ Liebert® XDC is shipped with jumpers and DIP switch settings for normal operations. See **Figure 3.16** below.

Figure 3.16 DIP Switch and Jumper Settings for Remote Sensors

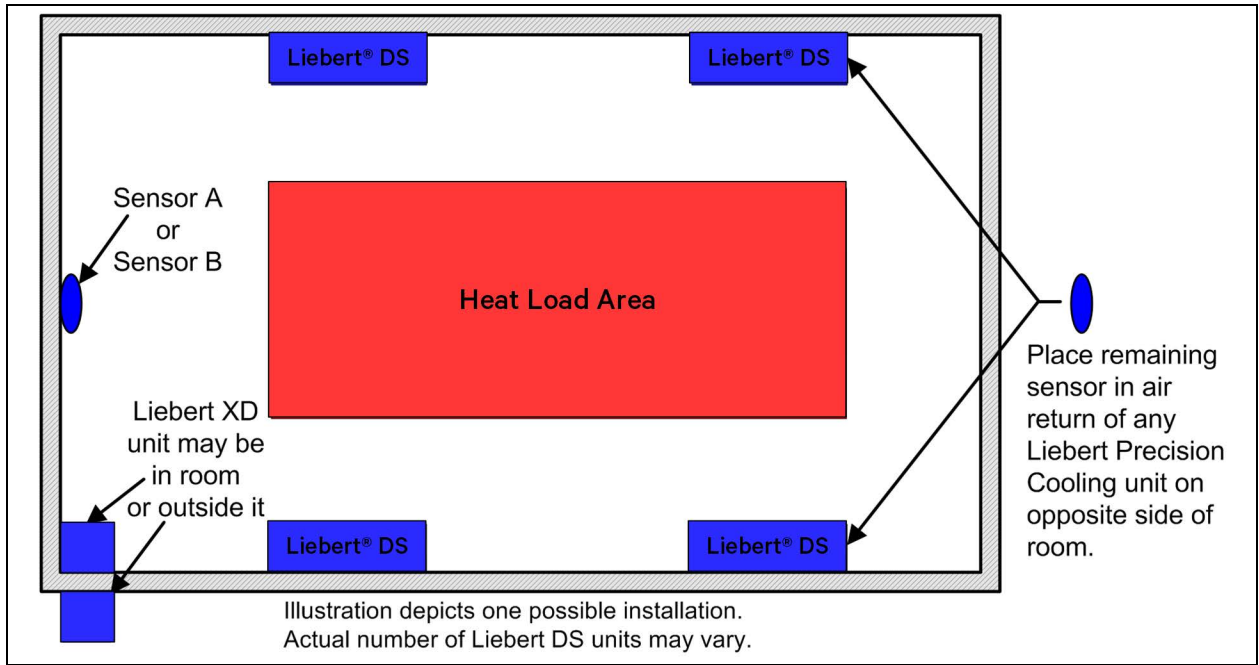


3.5 Remote Sensor Installation—Proper Placement

Placement of the two remote temperature/humidity sensors is critical to effective cooling of the conditioned space.

The remote sensors must be installed in areas where conditions are representative of the space conditioned by the Liebert® XDC. Vertiv recommends installing the sensors in different areas near the cooling modules served by the Liebert® XDC. If the return air side of the primary air mover, such as a Liebert® DS, represents the conditions where the Liebert® XD cooling modules are located, one sensor could be placed there. Vertiv suggests placing the other sensor on the wall opposite the heat load area (see **Figure 3.17** on the next page for guidance).

Figure 3.17 Suggested Remote Sensor Placement



Do not install the sensors where ambient air might cause false readings, for example, near unsealed doors or windows, or areas with stagnant air.

4 Piping and Filling with Refrigerant: R-134A and R-407C Circuits

Table 4.1 Piping General Arrangement Drawings

Document Number	Title
10025528	Piping General Arrangement Drawings
DPN000937	General Arrangement Air Cooled XD Chiller Liebert® Lee-Temp Control

Table 4.2 Liebert® Lee-Temp Installation Data

Document Number	Title
DPN000937	Installation Data R-407C Liebert® Lee-Temp DCSL415 Standard 4 Fan, 6 Fan

4.1 European Union Fluorinated Greenhouse Gas Requirements

Stationary air conditioning, refrigeration, heat pump equipments, and stationary fire protection systems in the European Community market and operating with fluorinated greenhouse gases (f-gas), such as R407C, R134a, R410A, must comply with the F-Gas Regulation: (EC) No. 842/2006 (F-gas). The regulation prohibits, among other actions, venting fluorinated greenhouse gases to the atmosphere.

The F-Gas Regulation requires operators to use all measures that are technically feasible and do not entail disproportionate cost to prevent leakage of these gases, to test for leakage regularly and to recover f-gas before disposing of equipment, as well as during service and maintenance.

Refer to the full regulation for additional details.

4.2 Recommended Pipe Size

NOTE: Follow all local codes on maximum length and size of refrigerant lines. Connect the main pipes between the Vertiv™ Liebert® XDC and the Vertiv™ Liebert® XD cooling modules according to site specific documentation and the configuration guide for the Liebert® XD system. Elbows and restrictions shall be minimized for proper operation.

Table 4.3 Supply, Return Pipe Sizes for Liebert® XD Refrigerant Loop

Pipe Function	Size/Equivalent Pipe Length
Liebert® XDC supply line, from Liebert® XDC supply to farthest Liebert® XD cooling module	1-1/8" OD (1.025" ID) for lengths up to 60 feet
	1-3/8" OD (1.265" ID) for lengths over 60 but less than 175 feet
Liebert® XDC return line, from farthest cooling module to Liebert® XDC return	2-1/8" OD (1.985" ID) for lengths up to 60 feet
	2-5/8" OD (2.465" ID) for lengths over 60 but less than 175 feet
From any model Liebert® XDO/Liebert® XDH supply to supply line of Liebert® XDC	1/2" OD (0.430" ID) for lengths up to 10 feet
	7/8" OD (0.785" ID) for lengths over 10 but less than 25 feet

Table 4.3 Supply, Return Pipe Sizes for Liebert® XD Refrigerant Loop (continued)

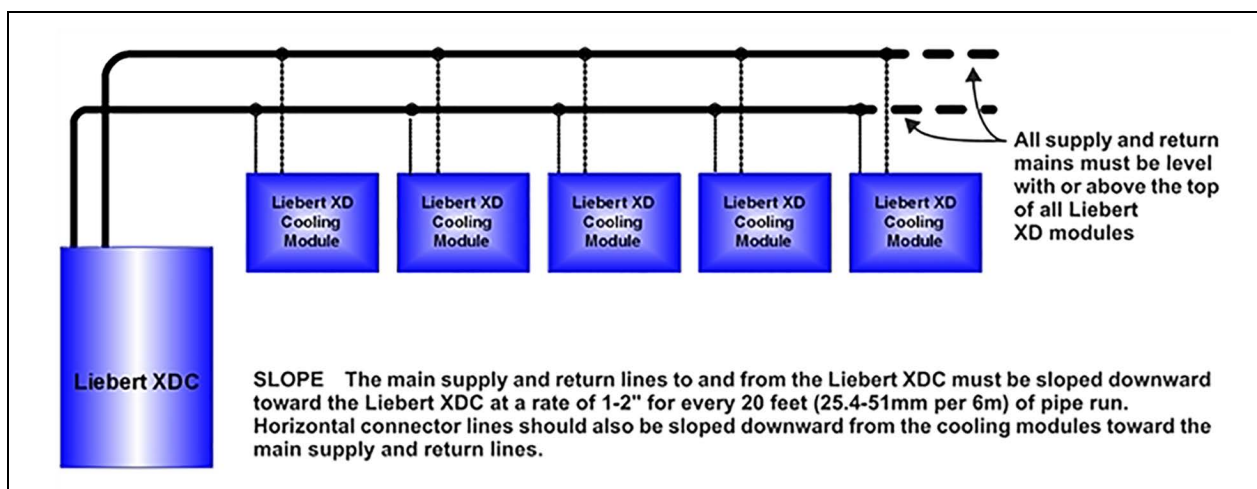
Pipe Function	Size/Equivalent Pipe Length
From any model Liebert® XDO/Liebert® XDH return to return line of Liebert® XDC	7/8" OD (0.785" ID) for lengths up to 10 feet
	1-1/8" OD (1.025" ID) for lengths over 10 but less than 25 feet
From any model Liebert® XDV supply to supply line of Liebert® XDC	1/2" OD (0.430" ID) for lengths up to 10 feet
	5/8" OD (0.545" ID) for lengths over 10 but less than 35
From any model Liebert® XDV return to return line of Liebert® XDC	5/8" OD (0.545" ID) for lengths up to 10 feet
	7/8" OD (0.785" ID) for lengths over 10 but less than 35 feet

4.3 Vertiv™ Liebert® XDC Interconnection with Vertiv™ Liebert® XD Cooling Module

All piping must be ASTM (American Society for Testing and Materials) Type ACR copper pipe.

The Liebert® XDC may be connected to Liebert® XD cooling modules with either Liebert® XD prefabricated piping assembly or with rigid, off-the-shelf piping. In either setup, piping for the Liebert® XD system is arranged in a manner similar to piping for a chilled water system. Liebert® XD cooling modules are connected in parallel between main return and supply pipes going to and from the Vertiv™ Liebert® XDC/Liebert® XDC. **Figure 4.1** below represents a typical configuration. For piping details, refer to the Liebert® XD System Design Manual, SL-16655. The guidelines provided for pipe size must be strictly followed. Failure to size the main lines and connection lines adequately may result in reduced cooling capacity. The critical aspects of pipe sizing are related to refrigerant volume and pressure drop. Both must be minimized.

Figure 4.1 Liebert® XD System Diagram



4.4 Piping Installation Method

The assembly and connection means used for piping in the Liebert® XD system are similar to those used for conventional refrigeration systems. All piping should be installed with high temperature brazed joints. Soft soldering is not recommended.

During brazing, the lines must be filled with flowing dry nitrogen to prevent excessive oxidation and scale formation inside the piping. Prevailing good refrigeration practices must be employed for piping supports, leak testing, dehydration, and charging. Failure to use good system practices may result in damage to the system. Refer to the ASHRAE refrigeration handbook for general good practice refrigeration piping.

Insulate all piping lines to prevent condensation in applications where the dew point approaches the R-134a refrigerant temperature.

Vertiv recommends venting the pressure relief valves for both the R-134a and R-407C sides outside the conditioned space where it is open to the atmosphere. The R-134a side relief valve is inside the Liebert® XDC unit at the top of the receiver. The R-407C water/glycol-cooled side relief valves are located at each condenser beneath the Liebert® XDC unit in the floor stand. The R-407C air-cooled relief valves are located outside within the air cooled system.

4.4.1 Piping Installation—R-134a Pumped Circuit

Vertiv recommends venting the relief pressure of the Liebert® XDC (located at the top of the receiver) outside of the conditioned space where it is open to the atmosphere.

4.4.2 Bypass Flow Controllers

Two bypass flow controllers are required to ensure the Vertiv™ Liebert® XDC pumps operate within the optimum range. These devices are added to the field piping and simulate the flow of additional cooling modules.

Each bypass flow controller must be installed with one shutoff valve to allow the controller to be disabled when cooling modules are added to a Vertiv™ Liebert® XD system.

Bypass flow controllers should be connected between the main supply and the main return lines of the field piping. The connection points to the main supply and return lines should be in a convenient and accessible location between the Vertiv™ Liebert® XDP/Liebert® XDC and the first Liebert® XD module in the circuit. See **Figure 4.2** below and **Figure 4.3** on the facing page for piping details of the bypass flow controller.

Refer to **Table 4.4** below to determine the number of bypass flow controllers needed to be open to provide proper refrigerant flow, based on the total nominal cooling capacity of the cooling modules in each Liebert® XD system.

Table 4.4 Bypass Flow Controllers for a Liebert® XDC Based System

System Load kW Cumulative Module Model Size	Required Number of Open Bypass Flow Controllers
	Liebert® XDC
32 to 63	N/A
64 to 95	2
96 to 127	1
128 to 160	0

Figure 4.2 Bypass Flow Controller Details and Dimensions

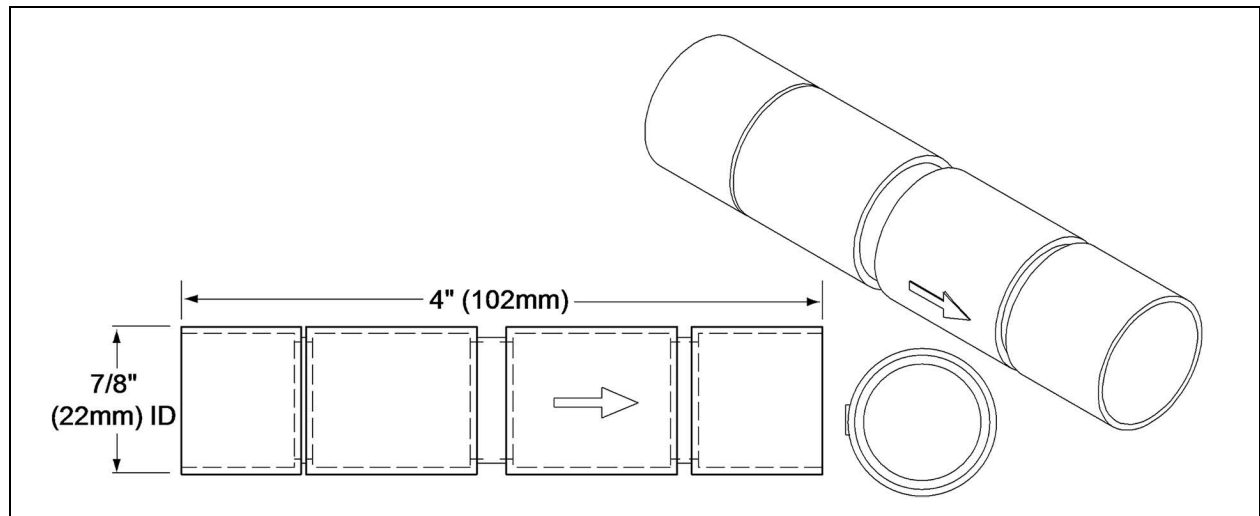


Figure 4.3 Bypass Flow Controller Arrangement

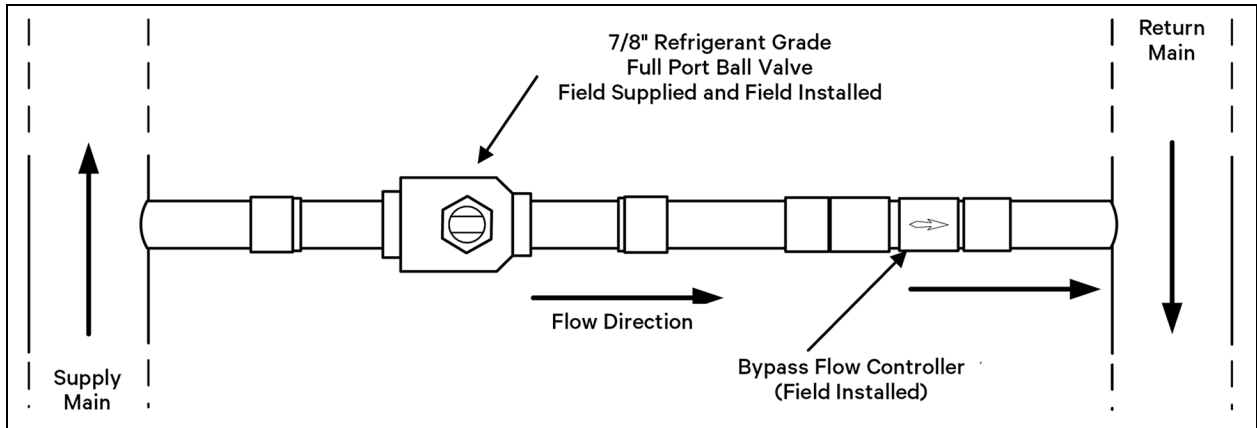
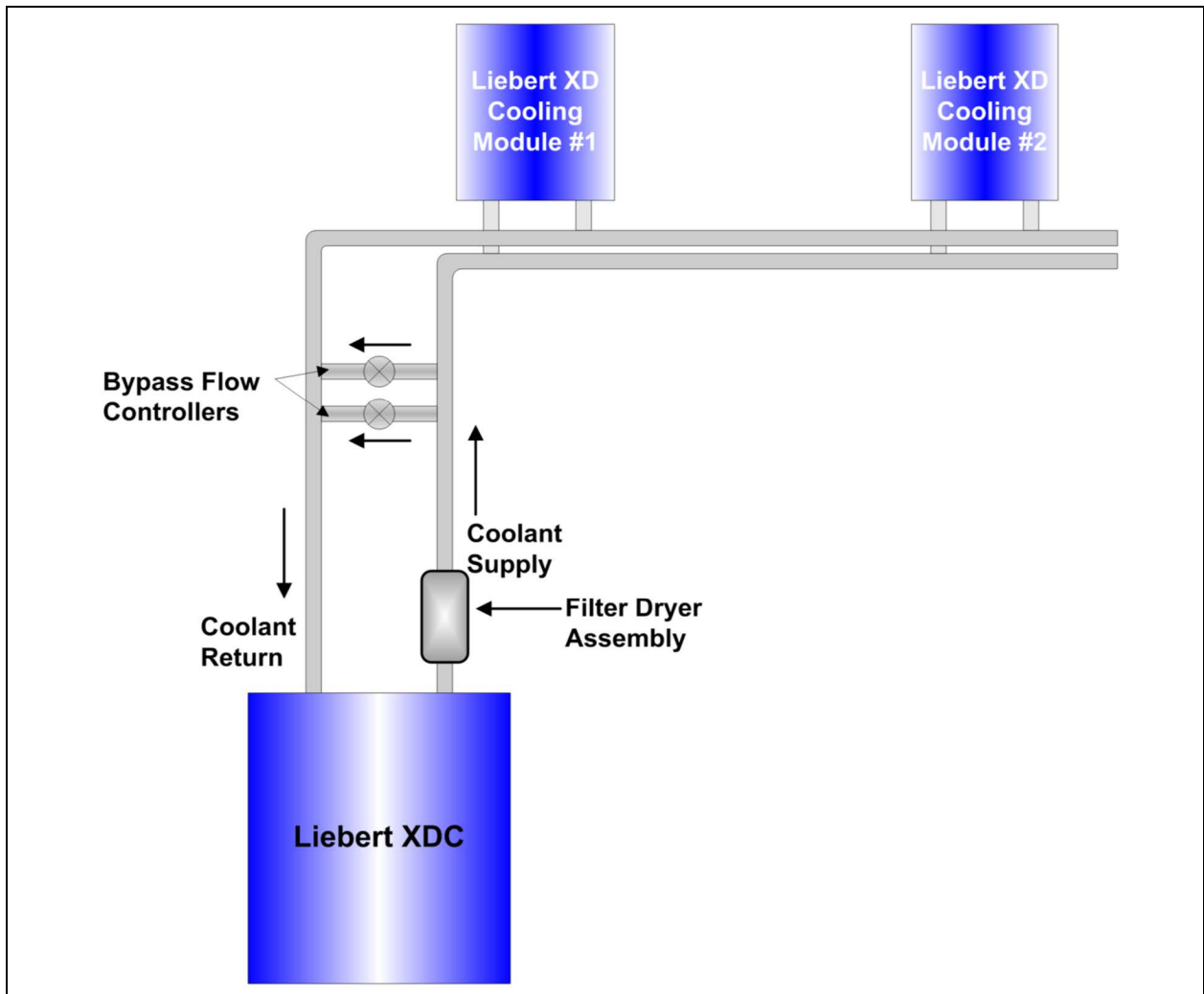


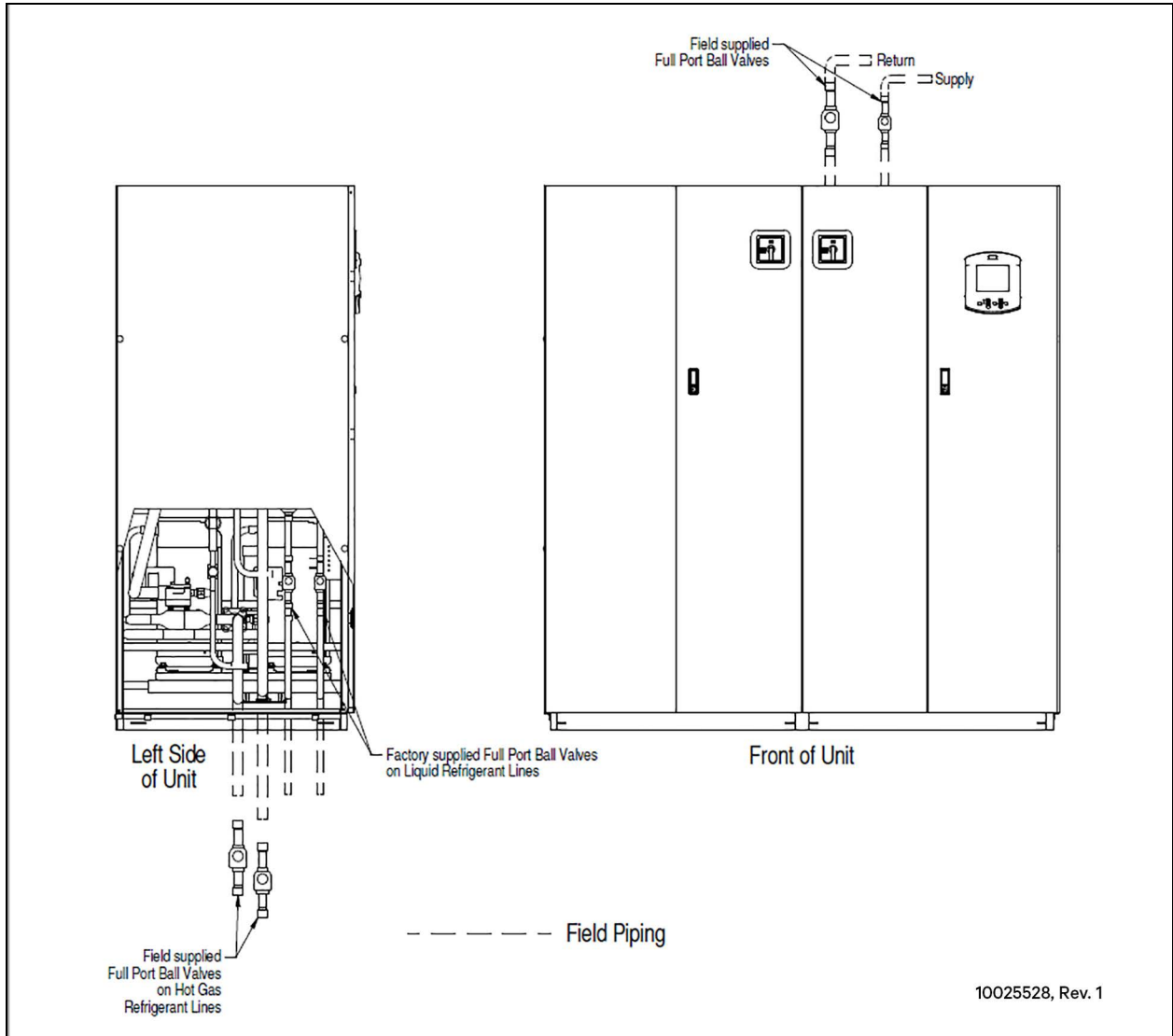
Figure 4.4 Bypass Flow Controller Piping



4.5 Piping Details—Shutoff/Isolation Valves

Isolation valves must be installed on the Vertiv™ Liebert® XDC's refrigerant circuit to permit maintenance on the unit (see Figure 4.5 below).

Figure 4.5 General Piping Details



4.5.1 Evacuation and Leak Check—R-134a Pumped Circuit

1. Open all service valves, including those located outside of the Liebert® XDC.
2. Attach a jumper hose from one of the Schrader valve fittings on a pump outlet before the check valve to a Schrader valve fittings after the check valve.
3. Place 150 psig (1,034 kPa; 10.34 bars) of dry nitrogen with a tracer of R-134a in the system.

NOTE: Risk of over-pressurization. Can cause equipment damage. Do not exceed 150 psig (1,034 kPa; 10.34 bars) in the R-134a circuit.

4. Check the system for leaks with a suitable leak finder on the pump suction lines.

5. After completion of the leak testing, release the test pressure (per local code) and connect to vacuum pump(s) at the Schrader valves.
6. After four hours of pulling a deep vacuum, check the vacuum level and if it has not changed, break the vacuum with dry nitrogen.
7. Pull a second vacuum to 500 microns or less. Recheck the vacuum level after 2 hours.

4.5.2 Insulation

NOTE: Piping should not be insulated before it has been checked for leaks. Applying good insulation to pipes before checking for leaks would prevent easy detection of leaks.

Insulate all piping between the Vertiv™ Liebert® XDC and cooling modules to prevent condensation where the piping passes through non-conditioned areas.

4.6 Filling the Pumped Circuit—R-134a

1. Connect a charging manifold to the Schrader valve fittings on the pump suction lines.
2. Purge the hoses.
3. Calculate the amount of R-134a refrigerant needed to charge the system, using the values in **Table 4.5** below, **Table 4.6** below and **Table 4.7** below; for assistance, refer to [Calculating Refrigerant Charge—Example](#) on the facing page. The section includes a worksheet to calculate system refrigerant charge requirements.
4. Weigh in the calculated charge.
5. After adding the calculated charge, allow the system to sit 15 to 30 minutes to reach equilibrium. Observe the refrigerant level through the sight glasses of the receiver.
6. If the refrigerant level is improper, the charge must be adjusted. If the level is too high or too low, recalculate the required charge and reduce or increase the amount as needed to reach the proper level.

NOTE: All lengths in **Table 4.6** below and **Table 4.7** below are actual pipe lengths, not equivalent pipe lengths.

NOTE: System refrigerant volume calculations derived from **Table 4.5** below, **Table 4.6** below and **Table 4.7** below are based on a fully loaded system. Additional charge may be required for lightly loaded systems.

Table 4.5 System R-134a Charge for a Liebert® XDC with Any Model Liebert® XDH/Liebert® XDO/Liebert® XDV

Refrigerant Charge, lb. (kg)	Per Liebert® XD Unit (Excludes Connector Lines to and from Liebert® XD Cooling Module)
157 lb. (65.7 kg)	Liebert® XDC
3.55 lb. (1.61 kg)	Liebert® XDO
2.32 lb. (1.05 kg)	Liebert® XDV
5.32 lb. (2.41 kg)	Liebert® XDH

Table 4.6 System Refrigerant Charge for the Supply and Return Mains

Refrigerant Charge, lb/foot (kg/m)	Supply/Return Main Length and Diameter
0.45 (0.67)	Main supply actual length per 1-1/8" OD copper tubing
0.68 (1.01)	Main supply actual length per 1-3/8" OD copper tubing
0.28 (0.42)	Main return actual length per 2-1/8" OD copper tubing
0.43 (0.64)	Main return actual length per 2-5/8" OD copper tubing

Table 4.7 R-134a Refrigerant Charge for Hard Piped Connector Lines to and from Any Model Liebert® XDH/Liebert® XDO/Liebert® XDV

Refrigerant Charge, lb/foot (kg/m)	Hard-Piped Connector Length and Diameter
0.08 (0.12)	1/2" OD Liebert® XDO/Liebert® XDH/Liebert® XDV supply connector actual length
0.13 (0.19)	5/8" OD copper tubing Liebert® XDV supply connector actual length
0.26 (0.39)	7/8" OD Liebert® XDO/Liebert® XDH supply connector actual length
0.02 (0.03)	5/8" OD copper tubing Liebert® XDV return connector actual length
0.04 (0.06)	7/8" OD copper tubing Liebert® XDV return connector actual length
0.04 (0.06)	7/8" OD copper tubing Liebert® XDH/Liebert® XDO return connector actual length
0.07 (0.1)	1-1/8" OD copper tubing Liebert® XDH/Liebert® XDO return connector actual length

4.6.1 Calculating Refrigerant Charge—Example

Using **Table 4.5** on the previous page, **Table 4.6** on the previous page and **Table 4.7** on the previous page, calculate the refrigerant charge of the individual sections of your Vertiv™ Liebert® XD system. Add the calculated charge amounts to determine the amount of R-134a refrigerant required for one system combining a Vertiv™ Liebert® XDC with Liebert® XD cooling modules (Vertiv™ Liebert® XDH, Vertiv™ Liebert® XDO and Vertiv™ Liebert® XDV). The example below combines one Liebert® XDC with 20 Vertiv™ Liebert® XDV8 cooling modules.

Table 4.8 Calculating Refrigerant Charge—Example

Components	Number of Units or Piping Length, feet	Pounds Per Component	Total, lb.
Liebert® XDC	1	157	157
Liebert® XDV Cooling Modules	16	2.32	46.4
Supply Main, 1-1/8"	100	0.45	45
Return Main, 2-1/8"	100	0.28	28
		Total	276.4

Table 4.9 Worksheet to Calculate Refrigerant Charge

Components	Number of Units or Piping Length	Pounds Per Component	Total
		Total	

4.6.2 Piping for Direct Expansion (DX) Circuit—R-407C Air Cooled Units



WARNING! Risk of over-pressurization of the refrigeration system. Can cause serious injury or death. Building and equipment damage may also result. Can cause explosive discharge of high-pressure refrigerant, loss of refrigerant, or environmental pollution. This unit contains fluids and gases under high pressure. Use extreme caution when charging the refrigerant system. Do not pressurize the system higher than the design pressure marked on the unit's nameplate.

Installer must install a 400 psig pressure relief valve in each of the two R-407C refrigerant circuits of the Vertiv™ Liebert® XDC system. Do not install shutoff valves between the compressors and the pressure relief valves.

For systems requiring EU CE compliance, the pressure relief valves must be CE-certified by a notified body to the EU Pressure Equipment Directive.

4.7 Install Double Discharge Risers

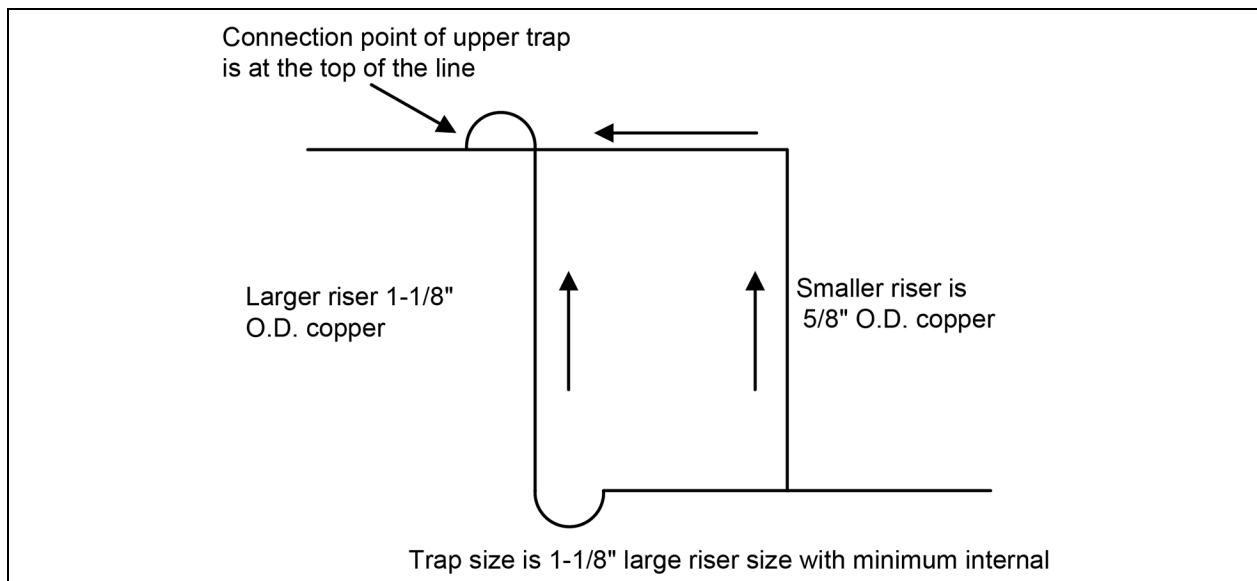
For air cooled systems, double discharge risers must be installed in the hot gas lines that have vertical heights of 15 feet (4.6 m) or more (see **Figure 4.6** below). This will allow proper oil return to the compressors when the system is running at low loads. A double riser system is constructed of a large diameter riser with a trap at the base and a riser with a smaller diameter in parallel.

At full load operation, the refrigerant vapor flows up both risers at velocities that are adequate to carry the oil. At low loads, refrigerant vapor velocities are lower and the trap at the bottom of the riser becomes filled with oil. When this happens, refrigerant flows up only the smaller riser.

The trap at the top of the riser must be tied into the top of the line to prevent oil from filling the larger riser. For each double riser used, the maximum height of the riser must not exceed 15 feet (4.6 m). Multiple risers must be installed in series as the height of the hot gas line increases. Total maximum height of the hot gas line must not exceed 60 feet (18.3 m).

Horizontal discharge lines should be pitched downward in the direction of flow to aid in oil drainage with downward pitch of at least 1/2 inch in 10 feet (13 mm in 3 m).

Figure 4.6 Double Discharge Riser Layout



Contact your local Vertiv representative for factory approval whenever a refrigerant piping run exceeds 200 feet (60 m) equivalent length or when condensers must be installed below the level of the cooling coil.

For Air Cooled Vertiv™ Liebert® Lee-Temp/Flood Back Head Pressure Control Units Only



WARNING! Risk of explosive discharge from high pressure refrigerant. Can cause injury or death. This unit contains fluids and/or gases under high pressure. Relieve pressure before working with piping.

NOTICE

Risk of refrigerant contamination. Can cause equipment damage and operational problems.

Refrigerant R-407C is a blend of three components and must be introduced and charged from the cylinder only as a liquid.

Refrigerant R-407C uses a POE (polyolester) lubricant. Do not open the compressor unit piping to the atmosphere for more than 15 minutes. The compressors contain POE oil that is very hygroscopic; it quickly absorbs water from the atmosphere. The longer the compressor piping is open to the atmosphere, the harder it will be to fully evacuate. If left open too long, the POE oil may need to be replaced before achieving the required vacuum level.

POE oils also have a property that makes them act as a solvent in a refrigeration system. Maintaining system cleanliness is extremely important because the oil will tend to bring any foreign matter back to the compressor. Refer to the ASHRAE refrigeration handbook for general good practice refrigeration piping.

Table 4.10 Receivers and Head Pressure Kits for Liebert® Lee-Temp Condensers

Outdoor Ambient °F (°C)	Condenser Model 50/60Hz	Condenser Qty	Receiver Part #	Receiver Qty	Head Pressure Kit	Head Pressure Kit Qty
-30 to 100 (-34 to 38)	DCSL415	2	185010G2 ¹ /G4 ²	2	179711G1	2
-30 to 105 (-34 to 41)	DCSL616	2	179713G1 ¹ /G2 ²	1	179711G2	2
35 to 105 (2 to 41)	DCSL616	2	181610G2 ¹ /G4 ²	2	179711G1	2
1. 120 V heater 2. 230 V heater						

Figure 4.7 Installation Data—Vertiv™ Liebert® Lee-Temp, One Circuit, Four Fan Model

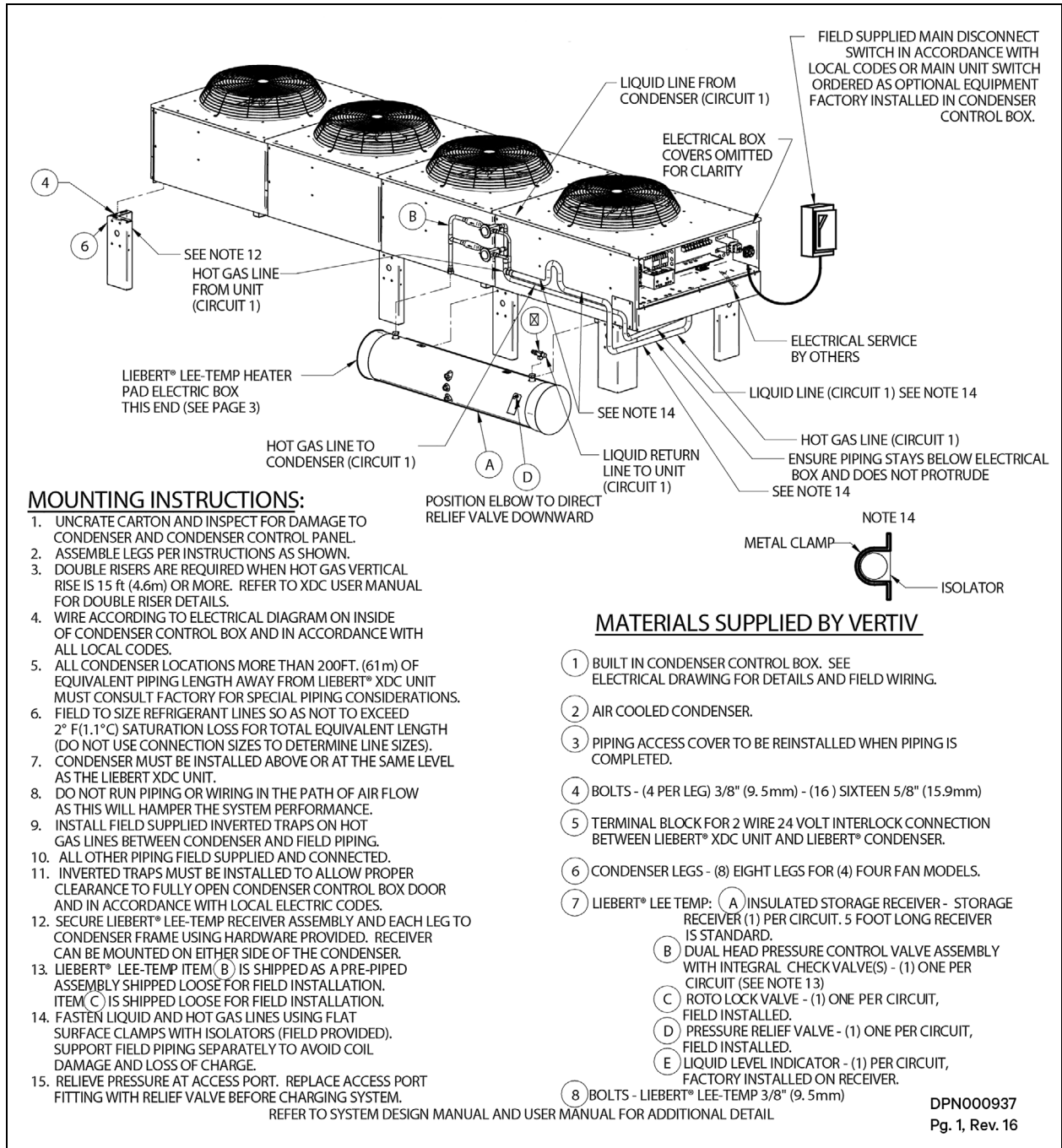


Figure 4.8 Installation Data—Vertiv™ Liebert® Lee-Temp, One Circuit High Ambient Six Fan Model

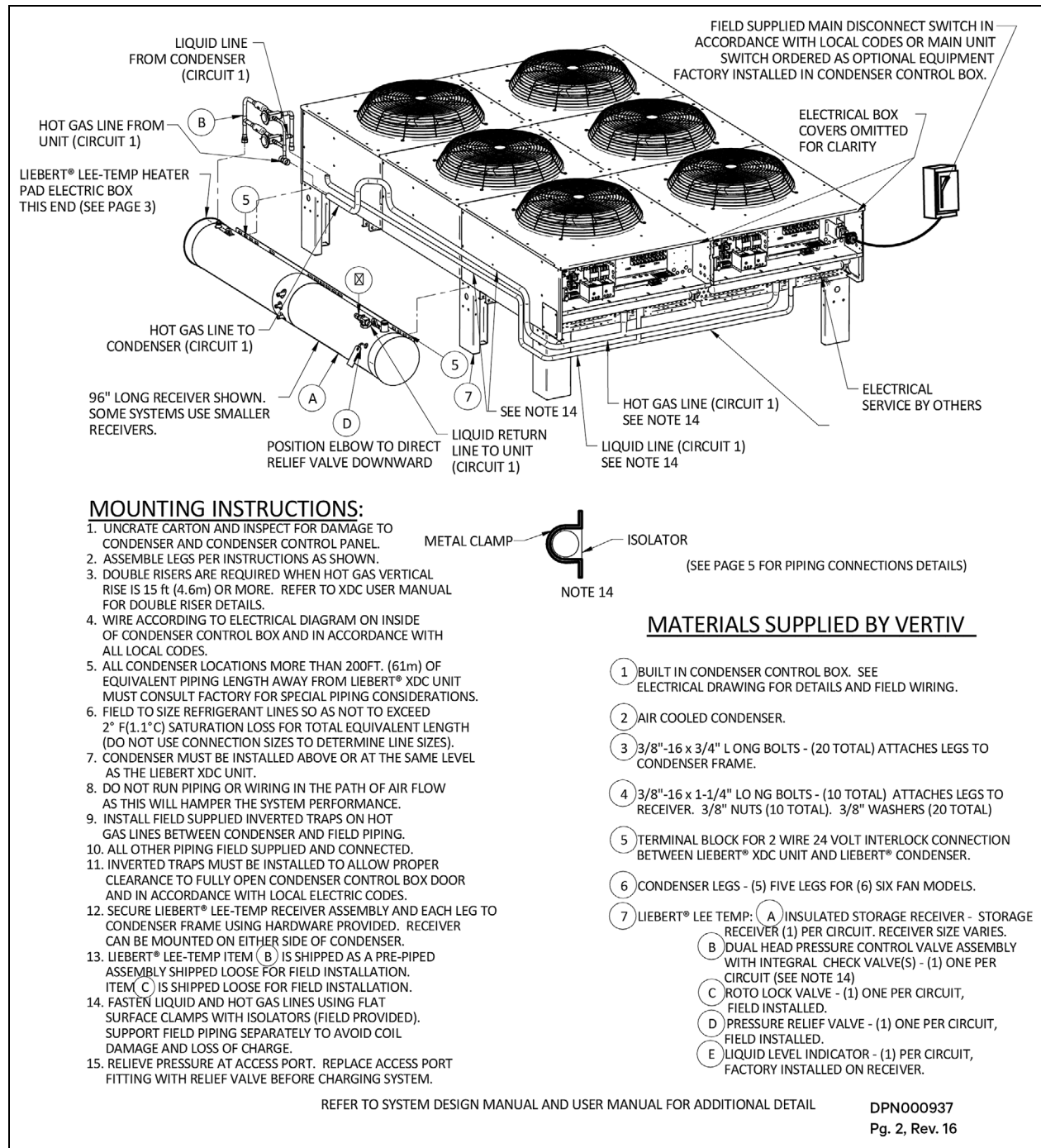


Figure 4.9 Vertiv™ Liebert® XDC Piping Schematic and Vertiv™ Liebert® Lee-Temp Heater Pad Wiring

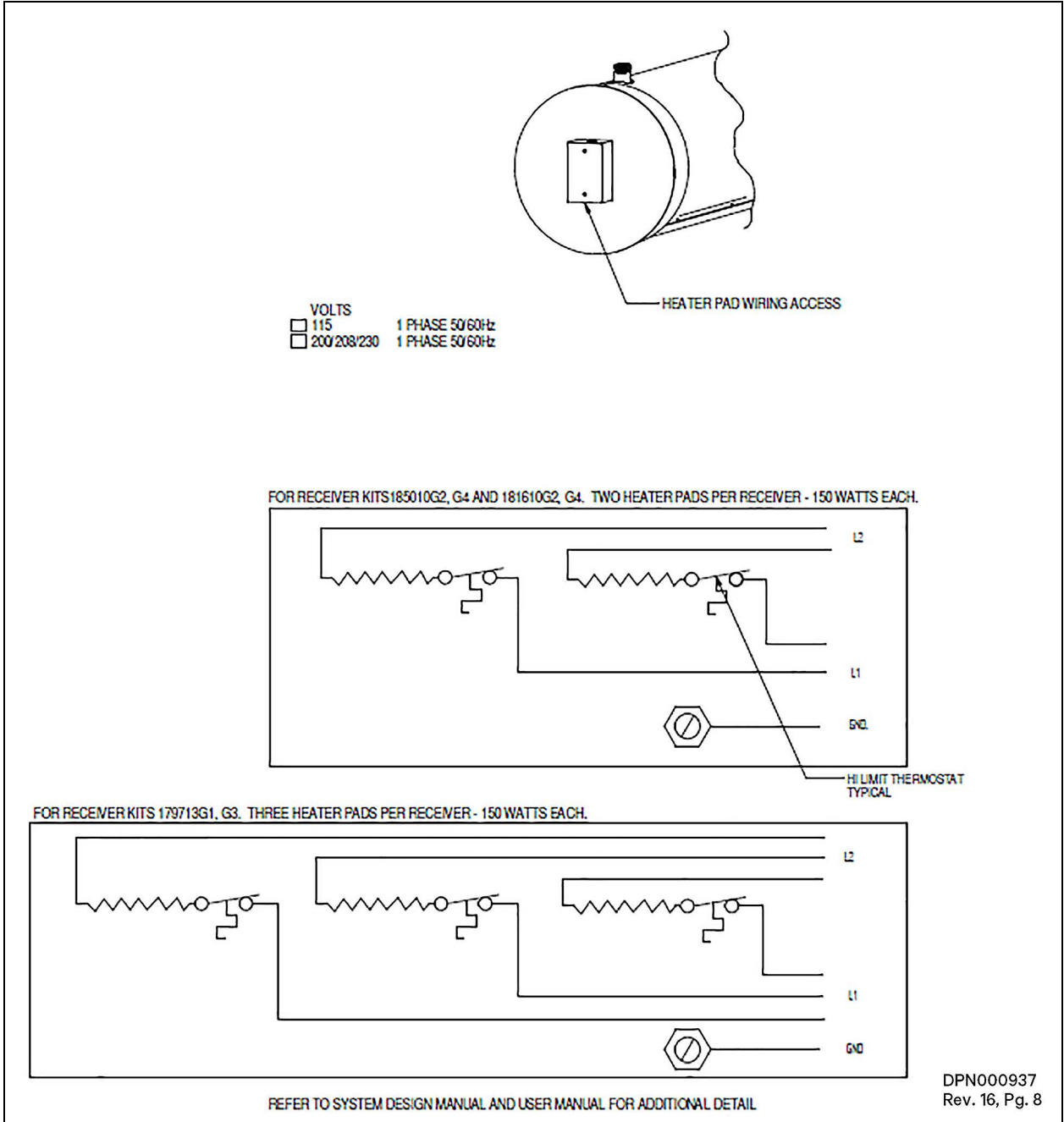


Figure 4.10 General Arrangement Air Cooled Vertiv™ Liebert® XDC Vertiv™ Liebert® Lee-Temp Control

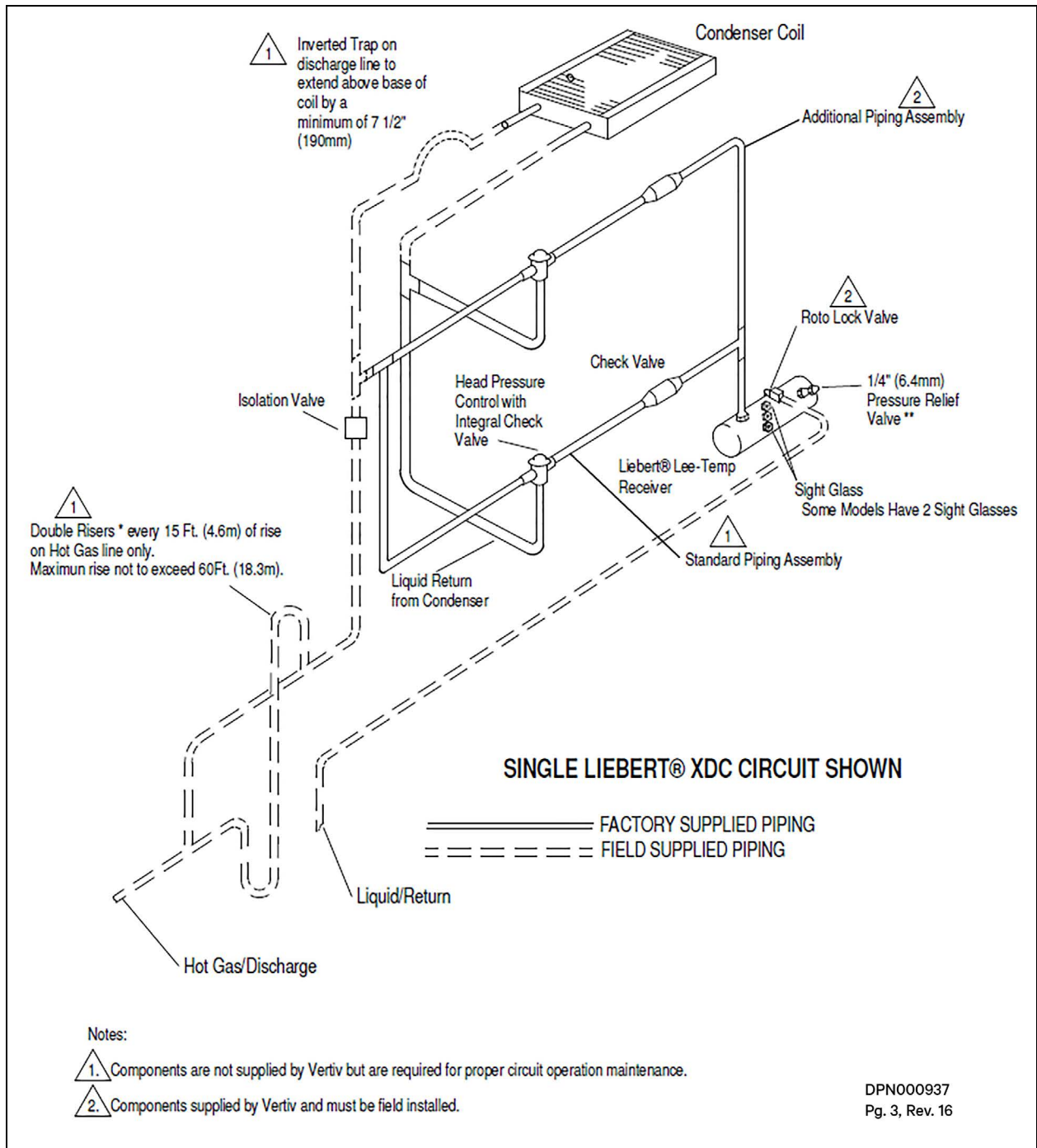


Table 4.11 Recommended Refrigerant Line Sizes, DX R-407C, OD Copper

Liebert® XDC 160		
Equivalent Length, ft., (m)	*Hot Gas Line, in.	Liquid Line, in.
50 (15)	1-1/8	7/8
100 (30)	1-1/8	1-1/8
150 (45)	1-3/8	1-1/8
200 (60)	1-3/8	1-1/8

* Double risers are required when hot gas vertical rise is 15 ft. (4.6 m) or more (see [Install Double Discharge Risers](#) on page 42).

Source: DPN000788, Rev. 18

Figure 4.11 DCSL616 Piping Connections—Two Refrigerant Circuits Connected for Parallel Flow

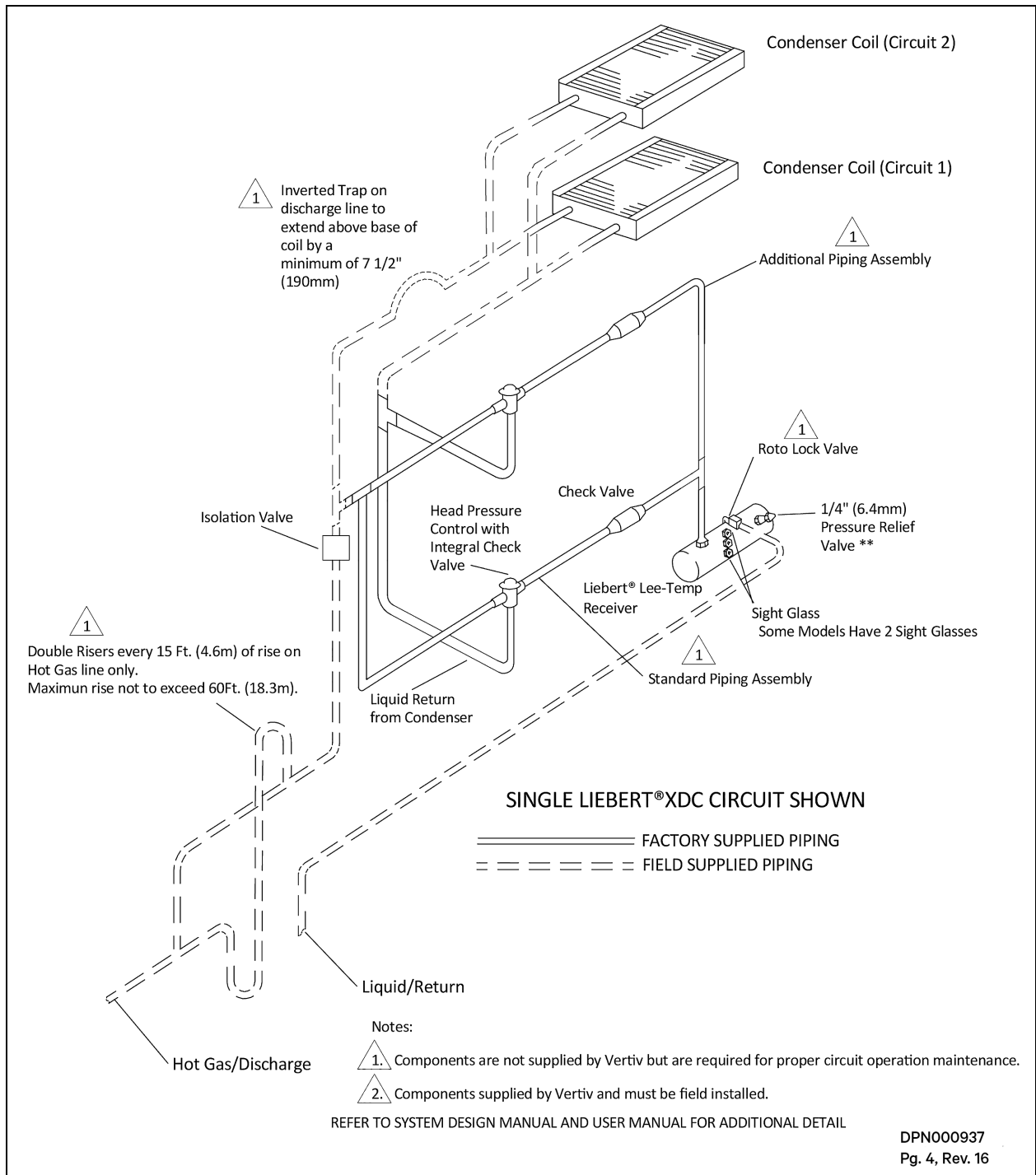


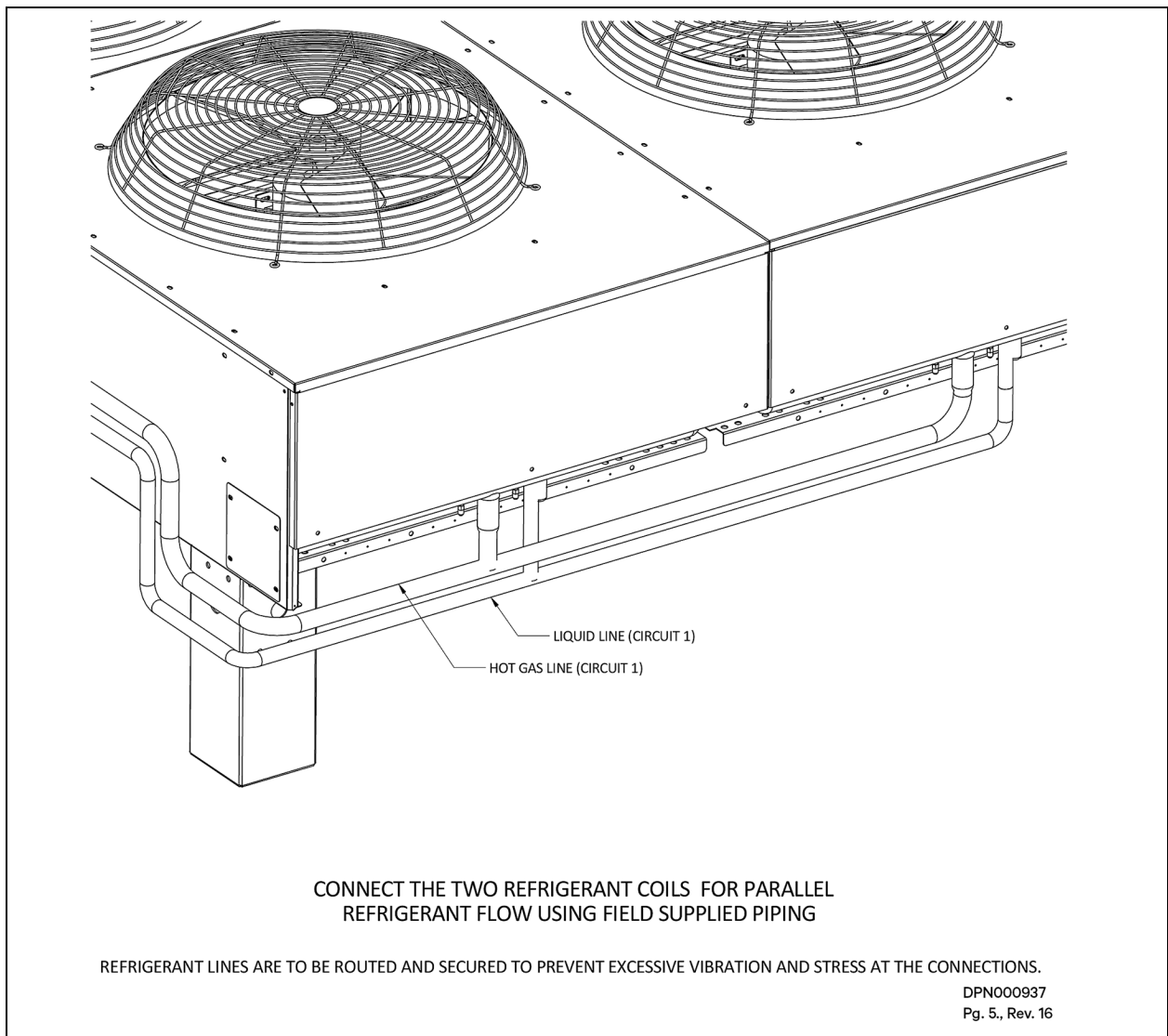
Table 4.12 Recommended Refrigerant Line Sizes for DCSL616

Liebert® XDC 160		
Equivalent Length, ft., (m)	*Hot Gas Line, in.	Liquid Line, in.
50 (15)	1-1/8	7/8
100 (30)	1-1/8	1-1/8
150 (45)	1-3/8	1-1/8
200 (60)	1-3/8	1-1/8

*Double risers are required when hot gas vertical rise is 15 feet or more (see [Install Double Discharge Risers](#) on page 42 .)

Source DPN000937, Pg.4, Rev. 11

Figure 4.12 DCSL616 Piping Connections—Two Refrigerant Coils Connected for Parallel Refrigerant Flow



4.7.1 Air Cooled Condenser with Vertiv™ Liebert® Lee-Temp “Flooded Condenser” Head Pressure Control System—R-407C (DX) Circuit

The Liebert® Lee-Temp system consists of a modulating type head pressure control valves and insulated receivers with heater pads to ensure operation at ambient temperatures as low as -30°F (-34.4°C).

Liebert® Lee-Temp Piping

Two discharge lines and two liquid lines must be field installed between the indoor unit and the outdoor condenser. See [Piping for Direct Expansion \(DX\) Circuit—R-407C Air Cooled Units](#) on page 41 for details.

Liebert® Lee-Temp Control Materials Supplied

- Built-in, pre-wired condenser control box
- Air-cooled condenser
- Piping access cover to be reinstalled when piping is complete
- Bolts—four per leg (3/8 inch x 5/8 inch)
- Terminal block for two wire, 24 V interlock connection between unit and condenser
- Condensate legs—four with one-fan, six on two and three fan models and eight on four fan models
- Bolts—used to mount receiver (3/8 inch x 1-1/4 inches)
- Vertiv™ Liebert® Lee-Temp system:
 - Insulated storage receiver—one per circuit
 - Head pressure control assembly (head pressure valves and check valves) - one per circuit
 - Service valve—one per circuit
 - Pressure relief valve—one per circuit
 - Liquid level sight glasses

NOTE: Liebert® Lee-Temp heater pads require a separate, continuous electrical source. See nameplate on unit for proper voltage.

Evacuation and Leak Check—R-407C (DX) Circuit (Air and Water/Glycol Systems)

1. If unit power is available, open the unit’s liquid line and hot gas valve solenoid valves using the Tandem Bank 1 and Tandem Bank 2 evacuation function in the Vertiv™ Liebert® iCOM™ Service Menu. If power is not available to the unit, a field supplied 24 VAC/75 VA power source must be directly connected to each of the unit’s solenoid valves.

NOTE: The procedures above allow the technician to use 24 VAC power and controls to open liquid line solenoid valve(s) for the dehydration process. If no power is at the unit disconnect, the technician is to use a separate 24 VAC source rated at 75 VA and connect to the system liquid line solenoid valve(s) directly.

2. Attach refrigerant gauges to the suction and discharge service valves of the compressor.
3. Open all compressor service valves, including those located outside the Vertiv™ Liebert® XDC.
4. Connect the tank of dry nitrogen to the Schrader valves on the liquid lines and the hot gas lines.
5. Pressurize the system circuit(s) to 150 PSIG (1034 kPa; 10.34 bars) with dry nitrogen with a trace of refrigerant. Check the system for leaks with a suitable leak finder.
6. After completion of leak testing, release the test pressure (per local code) and connect to vacuum pump(s) at the Schrader valves on the liquid lines and on the hot gas lines.

NOTE: There is a check valve in the discharge line and Vertiv™ Liebert® Lee-Temp piping assembly of each circuit. Ensure that all pressure has been relieved before starting the vacuum pump.

7. Place a jumper hose from the service valve fitting on the outlet of the receiver and the schrader fitting on the discharge header of the condenser. Front-seat the service valve two turns.
8. After four hours of pulling a deep vacuum, check the vacuum levels and, if they have not changed, break the vacuum with dry nitrogen.
9. Pull a second and third vacuum to 500 microns or less. Recheck the vacuum level after two hours.
10. Once a system has achieved 500 microns, turn off evacuation, close the receiver service valve, and remove the jumper hose.

4.8 Filling the Direct Expansion (DX) Circuit—R-407C

NOTE: If necessary, refer to the Installation Checklist on page 57 to ensure that the system has been properly checked out and is ready to be filled with refrigerant. Any recommended volumes will be approximate. The user must verify that all circuits of the system have been adequately filled.

For Air Cooled Vertiv™ Liebert® Lee-Temp/Flood Back Head Pressure Control Units Only

NOTE: Proper safety equipment and proper refrigeration tools are required. Check unit nameplate for correct refrigerant type before topping off or recharging a system.

NOTE: Refrigerant R-407C is a blend of three components, and must be introduced and charged from the cylinder only as a liquid. Refrigerant R-407C uses a POE (polyolester) lubricant. Do not open the compressor unit piping to the atmosphere for more than 15 minutes. The compressors contain POE oil that is very hygroscopic; it quickly absorbs water from the atmosphere. The longer the compressor piping is left open to the atmosphere, the harder it will be to fully evacuate. If left open too long, the POE oil may need to be replaced before achieving the required vacuum level. Refrigerant charging requires unit operation. Refer to Checklist for Liebert® XDC Startup on page 107 .

1. Calculate the amount of charge for the R-407C side of the system. Refer to **Table 4.14** on the facing page , **Table 4.15** on the facing page , and **Table 4.16** on the facing page .
2. Weigh in as much of the calculated R-407C charge as possible by utilizing tank heaters on the refrigerant bottles before starting the unit.

NOTICE

Risk of improper operation. Can cause equipment damage.

Before proceeding to step 3 , Turn Off the main power to the unit, the R-134A side must be charged with the calculated refrigerant charge.

There also must be enough room heat to start the system (64 kW minimum). If not, running the compressors alone could cause the heat exchanger to freeze and burst.

3. Turn Off the main power to the unit.
4. Disconnect either the low voltage wires from the #2 compressor contactors holding coils or remove the high voltage fuses for the #2 compressor bank.
5. Turn On the Vertiv™ Liebert® iCOM™ controller by pressing the On/Off push button on the front of the Liebert® iCOM™ display (see **Figure 6.1** on page 59).
6. Set the Min Room Temperature Setpoint to a minimum value of 50°F (10°C) (see **Figure 6.7** on page 66).

NOTE: The pumps must establish flow before the compressors will start. If the pumps lose flow, the compressors will turn Off. The pressure in the system must be at or above 65 psig (448 kPa) for the compressor(s) to start. A minimum of 30 psig (207 kPa) must be maintained for the compressor(s) to continue to operate. The compressor(s) will shut off if the pressure drops to 20 psig (138 kPa) or lower.

7. Weigh in the rest of the calculated charge.
8. Once Tandem Bank 1 is completely charged, repeat step 3, Turn Off the main power to the unit, on the previous page, through step 7, Weigh in the rest of the calculated charge, for Tandem Bank 2.

Table 4.13 Indoor Unit Refrigerant Charge—R-407C

Model 50/60 Hz	Charge/Circuit, lb. (kg)
Liebert® XDC160	17.5 (8.0)

Table 4.14 Outdoor Air Condenser Charge—R-407C

Outdoor Ambient, °F (°C)	Model 50/60 Hz	Receiver Part #	Charge / Circuit, lb. (kg)
-30 to 100 (-34 to 38)	DCSL415	185010G2 ¹ /G4 ²	200 (91)
-30 to 105 (-34 to 41)	DCSL616	179713G1 ¹ /G2 ²	254 (115)
35 to 105 (2 to 41)	DCSL616	181610G2 ¹ /G4 ²	164 (75)
1. 120 V			
2. 230 V			

Table 4.15 Air Cooled Systems, Liquid Line Charge, R-407C Refrigerant per 100 ft (30 m) of Type ACR Copper Tube

O.D., inches	Liquid Line, lb. (kg)	Hot Gas Line, lb. (kg)
3/8	3.7 (1.7)	---
1/2	6.9 (3.1)	---
5/8	11.0 (5.0)	2.2 (1.0)
3/4	15.7 (7.1)	3.1 (1.4)
7/8	23.0 (10.4)	4.5 (2.0)
1-1/8	39.3 (17.8)	7.8 (3.5)
1-3/8	59.8 (27.1)	11.8 (5.4)
1-5/8	---	16.7 (7.6)

Table 4.16 Indoor Water/Glycol Cooled Module – R-407C Refrigerant Charge

Model 60 Hz	Charge / Circuit, lb. (kg)
Liebert® XDC 160	30.0 (13.2) per circuit

4.9 System Refrigerant Charges Over 60 lb. (27.2 kg) Require Additional Oil

4.9.1 Additional Oil Requirements for Scroll and Digital Scroll Compressors

NOTICE

Risk of improper compressor lubrication. Can cause compressor and refrigerant system damage.

Failure to use oil types, viscosities, and quantities recommended by the compressor manufacturer may reduce compressor life and void the compressor warranty. See **Table 4.19** on page 56 for the recommended oil for the system.

- Do not mix polyolester (POE) and mineral-based oils.
- Do not mix oils of different viscosities.
- Consult your Vertiv sales representative, visit <https://www.Vertiv.com/en-us/support/>, or contact the compressor manufacturer if questions arise.

See **Table 4.17** on the facing page, for the amount required for various system charge levels.

In addition to oil added based on system charge, additional oil is required for discharge line field installed traps. Standard formed tube traps are required, see **Figure 4.13** below, and **Table 4.18** on page 56, because straight tubes and fittings used as traps require much more oil and the length of the straight tube can vary.

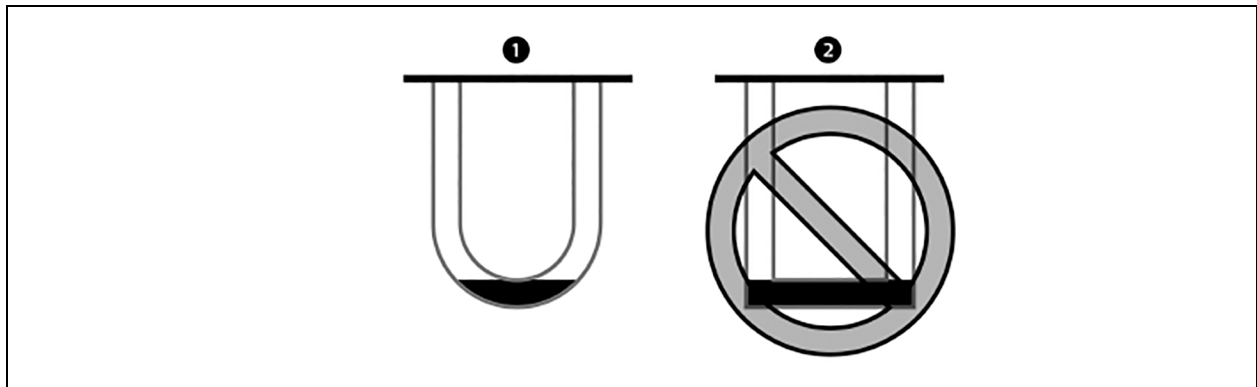
With the total calculated refrigerant charge for each circuit, see **Table 4.17** on the facing page for the refrigerant charge amount that was calculated and follow that line to the right to see how much additional compressor oil is required for each circuit.

Count the number of traps in each circuit. See **Table 4.18** on page 56 for the discharge line pipe diameter. Follow the line to the right to see how much oil is needed per trap. Multiply the number of traps per circuit by the oil volume.

Add the additional compressor oil amount and the trap oil volume together. This will be the total amount of oil that will need to be added before the refrigerant is added to each circuit.

The amount of oil added by field service must be recorded on the tag marked “Oil Added Field Service Record,” attached to each compressor. The date of oil addition must be included as well.

Figure 4.13 Standard Formed Tube Trap Versus Straight Tubes and Fittings Trap



Item	Description
1	Standard formed tube trap
2	Straight tubes and fittings trap

Table 4.17 Additional Oil Required per Refrigerant Charge

Refrigerant System Charge per Circuit, lb. (kg)*	Model
	XDC160
	Additional Oil Required per Circuit oz. (ml)
<60 (27.2)	0
60 (27.2)	2 (60)
70 (31.8)	6 (180)
80 (36.3)	10 (300)
90 (40.8)	14 (410)
100 (45.4)	18 (530)
110 (49.9)	22 (650)
120 (54.4)	26 (770)
130 (59.0)	30 (890)
140 (63.5)	34 (1010)
150 (68.0)	38 (1120)
160 (72.6)	42 (1240)
170 (77.1)	46 (1360)
180 (81.6)	50 (1480)
190 (86.2)	54 (1600)
200 (90.7)	58 (1720)

System Charge = indoor unit + condenser + refrigerant receiver + refrigerant lines
For system charges over 200 lb. (91.7 kg), consult your Vertiv representative.

See **Table 4.19** on the next page for the recommended oil for the system.

Source: DPN003950 Rev 6

Table 4.18 Volume of Oil in Standard Form Trap by Pipe Diameter

Pipe Diameter, in.	Oil Volume, oz (ml)
1/2	0.2 (5.9)
5/8	0.4 (11.8)
3/4	0.6 (17.7)
7/8	0.9 (26.6)

Table 4.18 Volume of Oil in Standard Form Trap by Pipe Diameter (continued)

Pipe Diameter, in.	Oil Volume, oz (ml)
1-1/8	1.8 (53.2)
1-3/8	3.3 (97.6)
1-5/8	5.5 (162.7)
Source: DPN003950, Rev. 6	

Table 4.19 Compressor Oil Types

Compressor Type	Refrigerant Type
	R-407C
Copeland Scroll and Digital Scroll	POE OIL - ISO 32 Viscosity
Use Copeland POE Oil ULTRA 22 CC, Mobil EAL Arctic 22 CC, Copeland brand Ultra 22 CC, Copeland brand Ultra 32 CC, Copeland brand Ultra 32- 3MAF, Mobil EAL Arctic 22 CC or Uniqema RL32-3MAF or other Copeland approved oil.	

5 Installation Checklist

1. Unpack and check received material.
2. Position Vertiv™ Liebert® XDC and secure to floor.
3. Wire high voltage connections.
4. Wire low voltage connections.

NOTE: Risk of unintended pump start. Can cause equipment damage. Do not install the pump fuses for 60 Hz until the system is fully charged with refrigerant. Do not remove the locking mechanisms from 50 Hz circuit breakers until the system is fully charged with refrigerant. Operating the pumps without a full refrigerant charge can result in equipment damage.

5. Connect Vertiv™ Liebert® XD cooling module piping to Liebert® XDC.
6. Check all circuits of the system for leaks.
7. Hold a vacuum on all circuits of the system.
8. Charge the system with refrigerant.
9. Make sure that all piping has proper insulation.
10. Use double risers in DX hot gas lines that are 15 feet (4.6 m) or more in height.

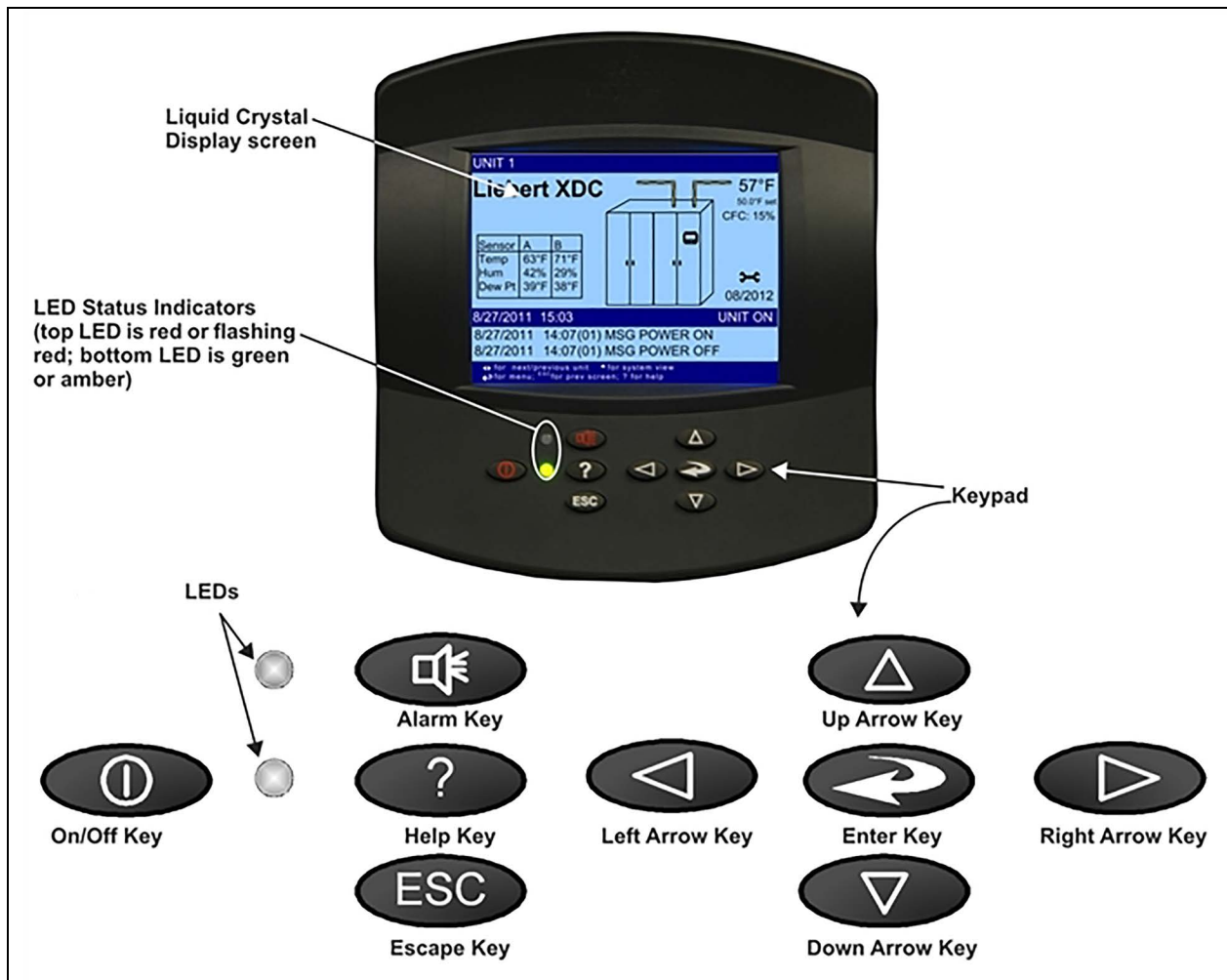
This page intentionally left blank

6 Vertiv™ Liebert® iCOM™ Control—Firmware Version XP1.00.009.STD

6.1 Liebert® iCOM™ Components and Functions

The Liebert® iCOM™ controller layout is shown in **Figure 6.1** below ; the keyboard functions are defined in **Table 6.1** on the next page . The Liebert® iCOM™ controller on the Vertiv™ Liebert® XDC displays the Unit View only.




Figure 6.1 Liebert® iCOM™ Display Components



See **Table 6.1** on the next page for LED definitions.

NOTE: Liebert® XDC does not support Teamwork Mode or Standby - Lead/Lag operation.

Table 6.1 Keyboard Icons and Functions

Icon	Key Name	Function
	On/Off Key	Controls the operational state of the cooling unit.
	Alarm Key	Silences an alarm.
	Help Key	Accesses integrated Help menus.
	Escape Key	Returns to the previous display view.
	Enter Key	Confirms all selections and selects icons or text.
	Increase Key (Up Arrow)	Moves upward in a menu or increases the value of a selected parameter.
	Decrease Key (Down Arrow)	Moves downward in a menu or reduces the value of a selected parameter.
	Left and Right Arrow Keys	Navigates through text and sections of the display.
	Upper LED	Blinking Red—Active, unacknowledged alarm exists.
	Upper LED	Solid Red—Active, acknowledged alarm exists.
	Lower LED	Amber—Power is available to the unit; unit is NOT operating.
	Lower LED	Green—Unit is operating with no alarms

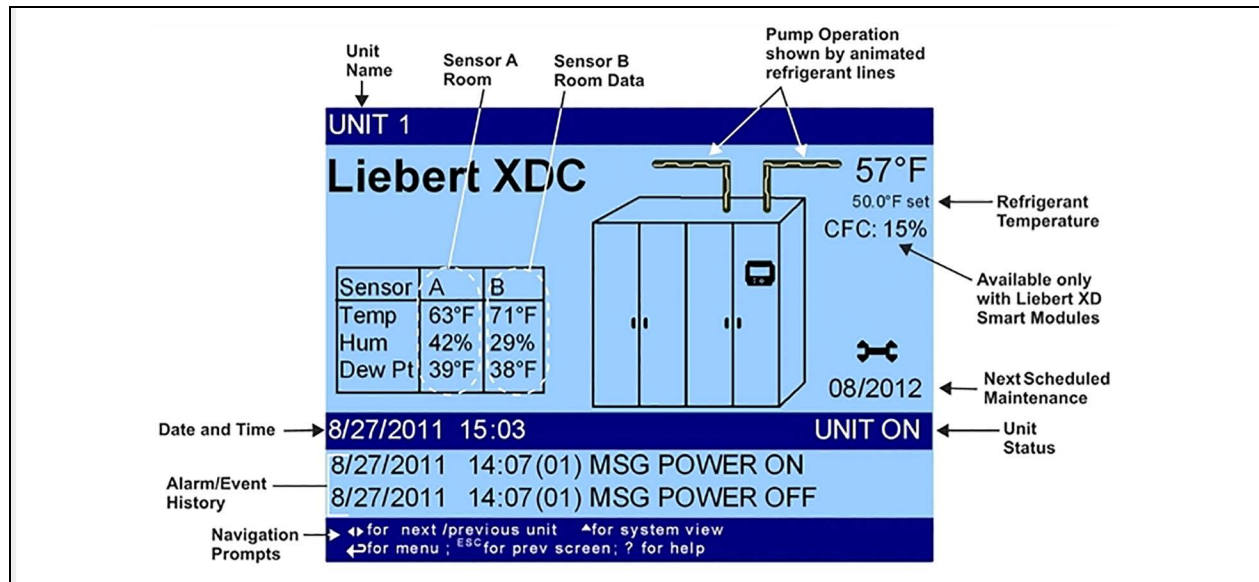
6.2 Display Lamp Indicators

- The Green lamp will be On only when the Vertiv™ Liebert® XDC is On and running with no alarms.
- The Red lamp will be On if the unit is On and running with an active alarm, or if the unit is shut down because of a certain alarm.
- The Red lamp will flash while an alarm is being annunciated. The Red lamp will stop flashing and the beeper in the display will stop beeping when the ALARM SILENCE/? key is pressed.
- The Amber lamp will be On if the Liebert® XDC has been shut down at the I/O switch or if the unit has been shut down by an alarm condition.

6.3 Navigating Through the Vertiv™ Liebert® iCOM™ Display

The Liebert® iCOM™ displays icons and text for monitoring and controlling your Liebert® cooling unit. **Figure 6.2** on the facing page shows the Liebert® iCOM™ home screen for the Liebert® XDC.

Figure 6.2 Vertiv™ Liebert® iCOM™ Default Home Screen for Vertiv™ Liebert® XDC



6.3.1 Accessing Menus and Settings

Viewing Data

No password is required to view data or settings.

To view data:

1. From the home screen, press the Enter key to view the User Menu (see [Vertiv™ Liebert® iCOM™ User Menu Icons and Legend](#) on page 65).
2. Press Enter again to highlight the first icon.
3. Use the keyboard arrow keys to move to the icon for the data you wish to view.
4. Once that icon is highlighted, press Enter again to open that menu.
 - If a password is required, see [Entering the Password](#) on the next page.
 - If a menu has more than one screen, the Liebert® iCOM™ display will have text at the top similar to this: (page 1 of 2).
5. Press Enter to select the first line of data.
6. Use the Up and Down arrow keys to scroll to the desired data point.
7. Press ESC to move back to higher level menus.

6.3.2 Cooling Module Overview

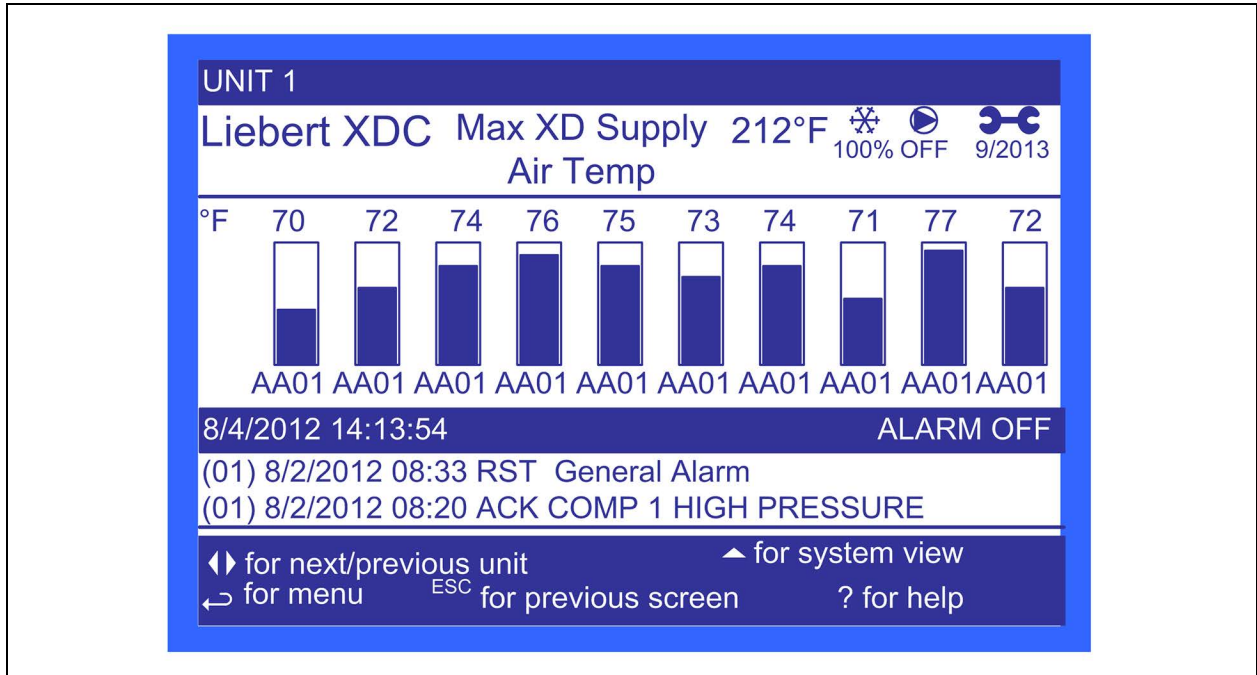
The Liebert® iCOM™ will display an overview of all connected cooling modules. It does not display a system view, which would include units other than the cooling modules.

NOTE: The Liebert® iCOM™ control screens display a setting to select a system view, but the Liebert® XDC does not support a system view.

To display an overview of all connected cooling modules:

1. At the default home screen on the Liebert® iCOM™, press the down arrow. This will display the outlet temperature and capacity levels for the first 10 modules. Press ESC to return to the unit view.

Figure 6.3 Cooling Module Overview, First 10 Modules



2. Press the down arrow button again to display the outlet temperature and capacity levels for the next 10 modules.
3. Press ESC to return to the default home screen.

6.3.3 Entering the Password

Most settings in the Vertiv™ Liebert® iCOM™ are protected by factory set passwords. The User Menu password is 1490. The Service Menu password is 5010. To enter the password:

1. From the home screen, press the Enter key to view the User Menu (see [Vertiv™ Liebert® iCOM™ User Menu Icons and Legend](#) on page 65).
2. Press Enter again to highlight the first icon.
3. Use the keyboard arrow keys to move to the icon for the data you wish to change.
4. Once that icon is highlighted, press Enter again to open that menu.
5. Press Enter to highlight the Password line.
6. With the Password line highlighted, press Enter to highlight the first digit in the password.
7. Enter the password, 1490.

Use the Up and Down arrow keys to select a numeral for the first digit of the password.

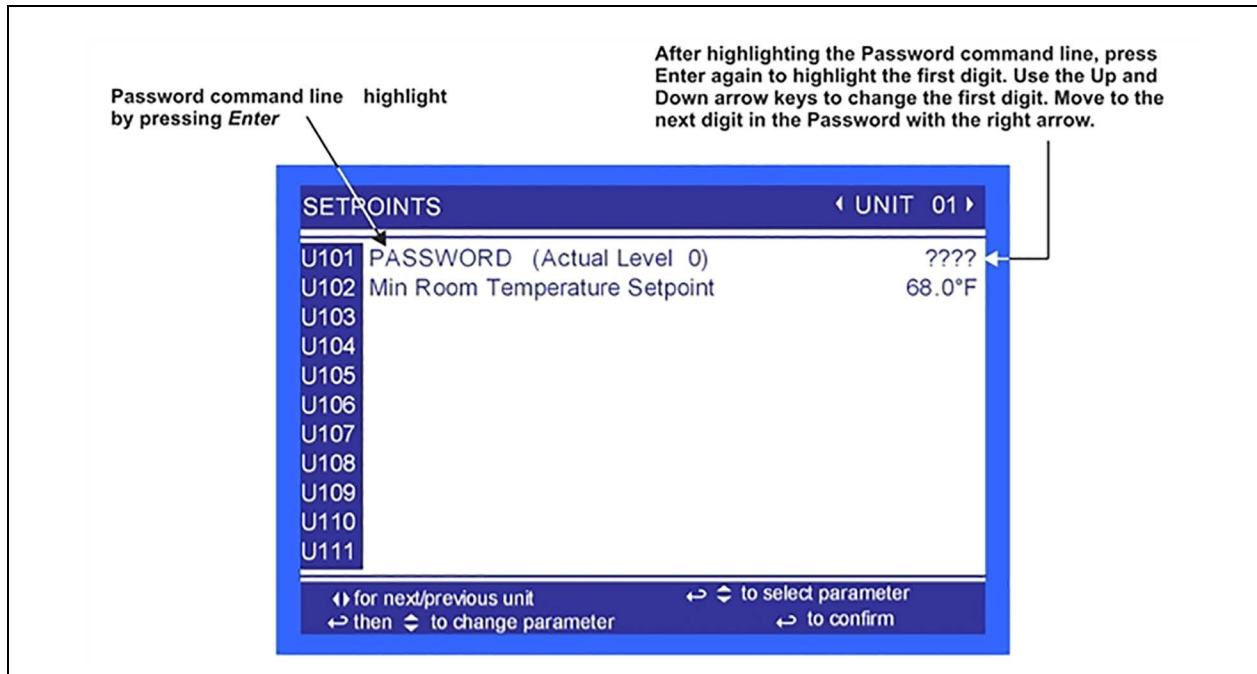
Move to the next digit of the password with the Right arrow key.

Select the numerals for all four digits with the same process.

8. After all four digits of the password have been entered, press the Enter key.

NOTE: Do not press the ESC key or the Liebert® iCOM™ will move to the previous screen and the password must be re-entered before changes may be made.

Figure 6.4 Entering the Password



6.4 Changing Vertiv™ Liebert® iCOM™ Display Settings

No password is required to change the way the Liebert® iCOM™ display data. The Display Setup controls how the unit shows data, such as temperature, date, and time.

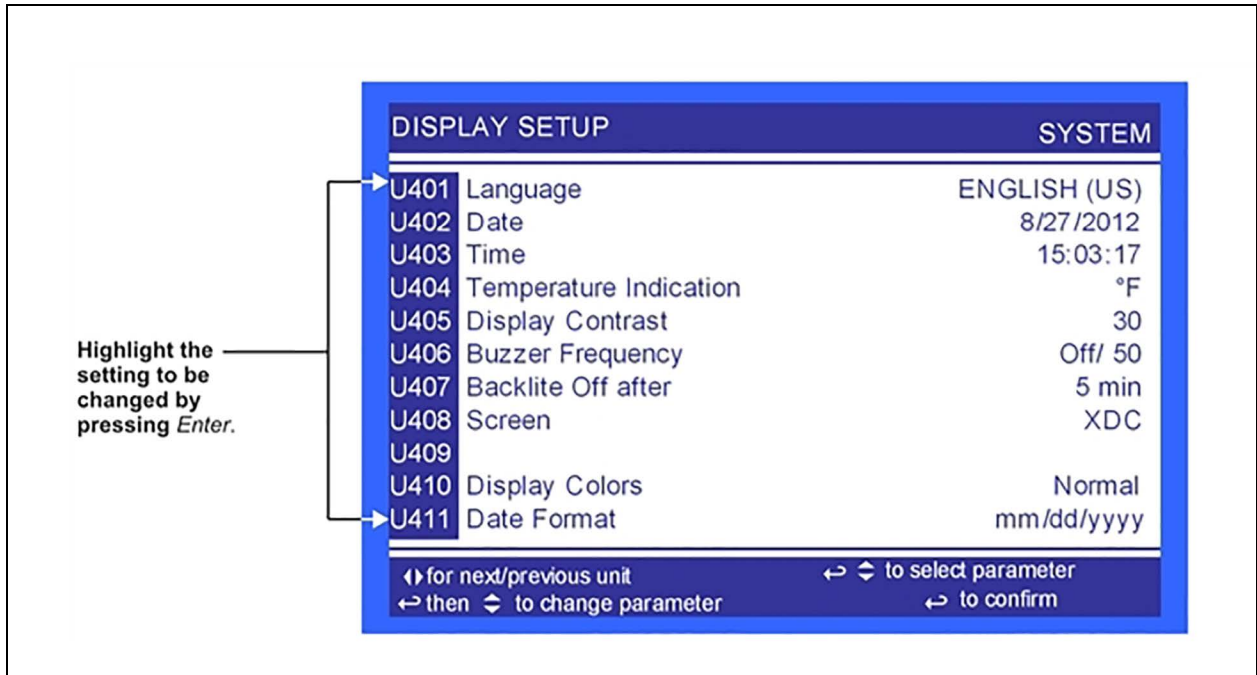
To change the display settings:

1. From the home screen, press the Enter key to view the User Menu (see **Table 6.2** on page 65).
2. Press Enter again to highlight the first icon.
3. Use the keyboard's arrow keys to move to the Display Setup icon.
4. Once that icon is highlighted, press Enter again to open that menu.
5. Press the Enter key to select the first setting.

Either change that setting or navigate to another setting with the Up and Down arrow keys.

6. Once the desired setting is highlighted, press the Enter key to access that parameter's display setting options.
7. Use the Up and Down arrow keys to make changes.
8. Press the Enter key to accept the changes.
9. Press the ESC key twice to return to the Liebert® iCOM™ user menu.

Figure 6.5 Display Setup Screen



6.5 Changing Operational Settings

Changes to the Vertiv™ Liebert® XDC operation settings in the Set Alarms and Setpoints menus require a password. The User Menu password is 1490. The Service Menu password is 5010.

1. From the home screen, press the Enter key to view the User Menu (see [Vertiv™ Liebert® iCOM™ User Menu Icons and Legend](#) on the facing page).
2. Press Enter again to highlight the first icon.
3. Use the keyboard arrow keys to move to the icon for the data you wish to change.
4. Once that icon is highlighted, press Enter again to open that menu.

If a password is required, see [Entering the Password](#) on page 62.

5. After entering the password, use the Up and Down arrow keys to scroll to and highlight the operational setting to be changed.
6. Press Enter to highlight the values for that setting.
7. Use the Up and Down arrow keys to change the value.
8. Press Enter to accept the change. (The value will no longer be highlighted.)
9. Press ESC to deselect the operational setting. (The setting will no longer be highlighted.)
10. Press ESC again to move to previous screens.

6.6 Graphical Data Record

The Graphical Data Record charts the average temperature from Sensors A and B, the average dew point from Sensors A and B, the supply refrigerant temperature, and the supply refrigerant control point.




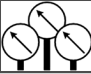








The temperature scales can be changed to expand or compress the data.

The time scale also can be altered to any of several selectable values.

NOTE: Changing the time scale eliminates all previous graphical data and the unit will begin recording new data.

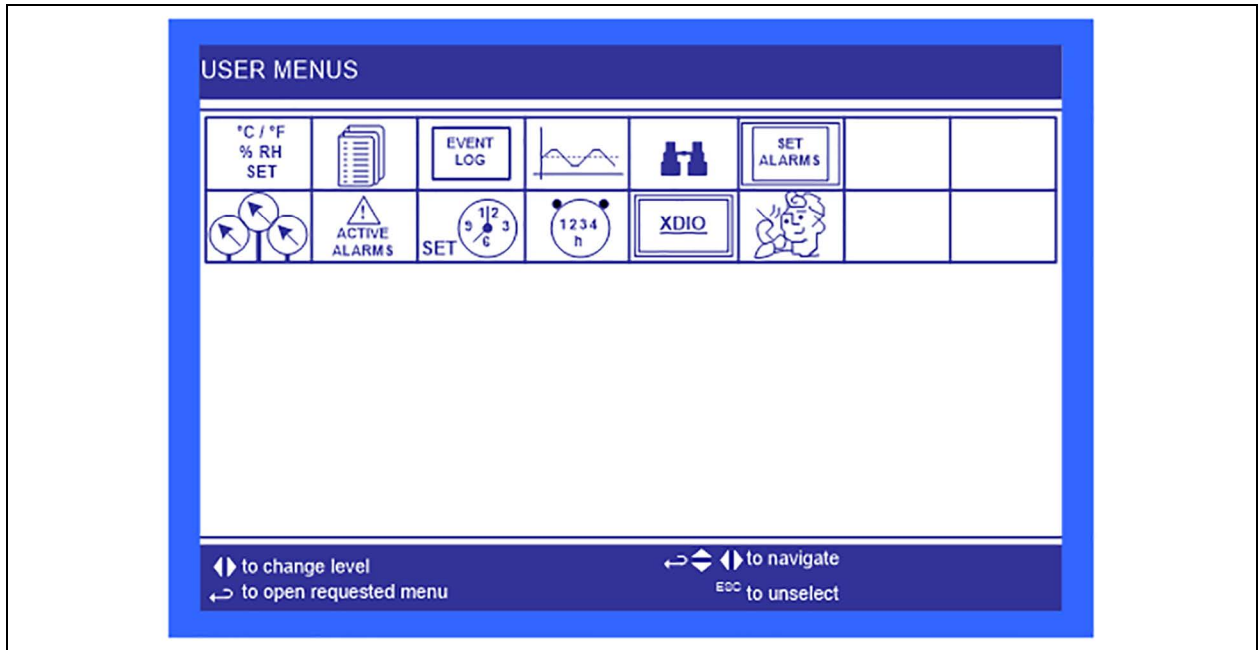
6.7 Vertiv™ Liebert® iCOM™ User Menu Icons and Legend

Table 6.2 Liebert® iCOM™ User Menu Icon Descriptions

Item	Description	Item	Description
	Setpoints - View and change operational setpoints		Set Alarms - Allows user to change settings for alarms.
	Spare Parts List - Contains spare parts available on site		Sensor Data - Shows readings of sensors; View Only
	Event Log - Lists last 400 events and alarms. View Only		Active Alarms - Lists all current alarms; View Only
	Graphic Data Record - Displays average temperature from Sensors A and B, the average dewpoint from Sensors A and B, the supply refrigerant temperature, and the supply refrigerant control point graphs; Data is View Only; Display scale is adjustable.		Display Setup - Change settings for display; language and time
	View Network - Shows status of all connected units; View Only		Total Run Hours - Records the run time of all components and allows setting of limits on run time; View Only
	XDIO - Displays readings for the individual smart modules; View Only		Service Contacts - Contains key contact information for service

NOTE: Menu shows icons only; text is explanatory and does not appear on the Liebert® iCOM™ display.

Figure 6.6 Vertiv™ Liebert® XDC User Menu Screen

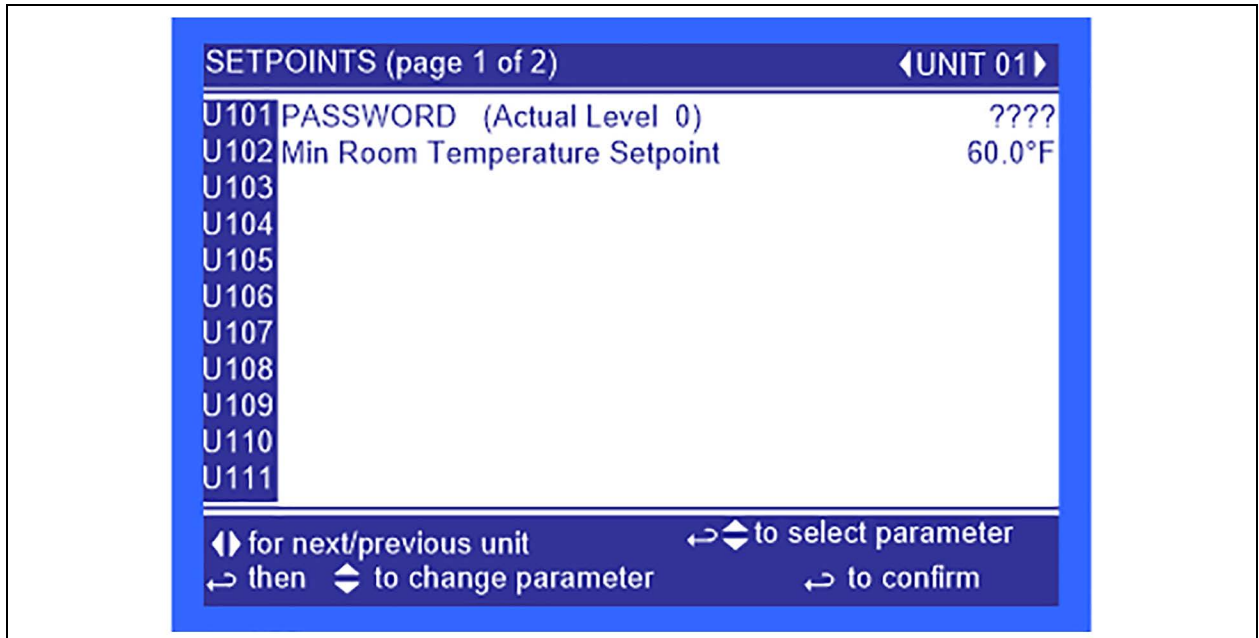


6.8 Vertiv™ Liebert® iCOM™ User Menu Screens

User menus report general cooling unit operations and status. User Menu screens employ a coding that begins in “U” and is followed by parameters and information such as settings. Gaining access to some User Menu screens requires entering a password; the User Menu password is 1490.

Check www.Vertiv.com for the latest Liebert® iCOM™ user manual updates, SL-18835.

Figure 6.7 Setpoints, Page 1 of 2



Min Room Temperature Setpoint - Sets the minimum room temperature the unit will attempt to maintain. If the temperature falls below this point, unit will raise the refrigerant temperature to reduce the amount of cooling.

The setting is intended to keep the room temperature above the setpoint. Without a proper setpoint, the Vertiv™ Liebert® XDC can lower the room temperature too much, depending on the room dew point and load. This setpoint will reduce the cooling to keep the room temperature above this desired temperature.

NOTE: This is not a true room temperature setpoint. The Liebert® XDC has no heaters; it will try to cool as much as possible. If the Liebert® XDC is able to cool the room to this setpoint, it will reduce its cooling action to try to keep the room temperature at or above this setpoint.

The default setting is 60°F (15.6°C). The range is 50-80°F (10-27°C).

For optimal cooling performance, the minimum temperature setpoint should be at least 1-2° below the expected temperature at the remote sensors, which may affect placement of the remote sensors. If the minimum temperature setpoint is set above the typical remote temperature sensor reading, it will reduce the Vertiv™ Liebert® XD cooling output and, in extreme cases, cause erratic Liebert® XD performance.

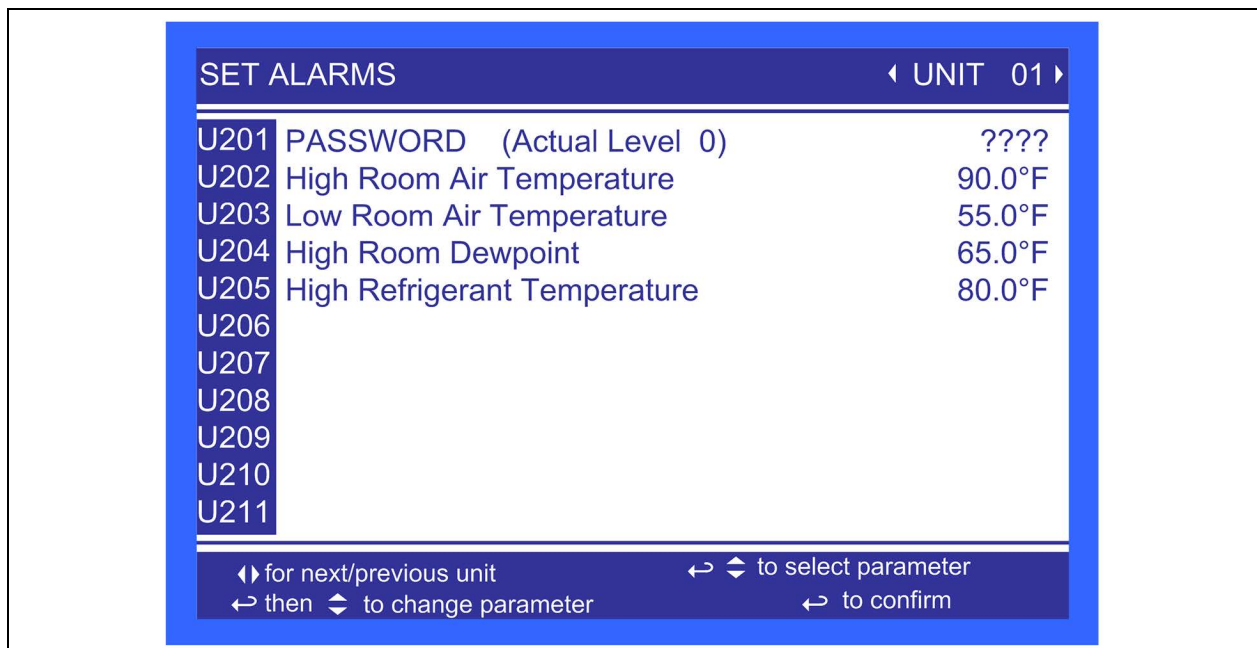
6.8.1 Spare Parts

The spare parts lists contains a detailed description and part number that can be used to order parts for the unit. These part numbers are specific to each model and option installed on the unit.

6.8.2 Event Log

The event log displays all events and actions that have been generated by the unit. When multiple units are networked, you will see the event log of the whole system. Each event shows the unit that generated the alarm, time and date stamp, a description, and the event type.

Figure 6.8 Set Alarms



High Room Air Temperature - Sets the threshold where a high room temperature alarm will occur based on the actual reading from either remote Sensor A or B. The range for the high room air temperature alarm is 33.8-95°F (1-35°C); the default is 80.0°F (26.7°C).

Low Room Air Temperature - Sets the threshold where a low room temperature alarm will occur based on the actual reading from either remote Sensor A or B. The range for the high room air temperature alarm is from 33.8 to 95°F (1 to 35°C); the default is 55.0°F (12.8°C).

High Room Dew Point - Sets the threshold where a high room dew point alarm will occur based on the calculated values from either remote Sensor A or remote Sensor B. The range for the high room dew point alarm is from 33.8 to 95°F (1 to 35°C); the default is 65°F (18.3°C).

High Refrigerant Temperature - Sets the threshold where a high refrigerant temperature alarm will occur based on the actual reading from the supply refrigerant sensor. The supply refrigerant temperature is from the Vertiv™ Liebert® XDC to the modules. The range for the high supply refrigerant temperature alarm is from 33.8 to 95°F (1 to 35°C); the default is 80°F (26.7°C).

Figure 6.9 Sensor Data, Page 1 of 2

SENSOR DATA (page 1 of 2)		◀ UNIT 01 ▶
U301	Sensor A Temperature	62.8°F
U302	Sensor A Humidity	42.20%
U303	Sensor A Dew Point	39.4°F
U304	Sensor B Temperature	71.2°F
U305	Sensor B Humidity	29.60%
U306	Sensor B Dew Point	37.8°F
U307	Supply Refrigerant Temperature	55.0°F
U308		
U309		
U310		
U311		
U312		

This window is READ ONLY

Sensor A Temperature - Displays the temperature of the remote CAN Temp Humidity sensor designated at Sensor A.

Sensor A Humidity - Displays the humidity of the remote CAN Temp Humidity sensor designated at Sensor A.

Sensor A Dew Point - Displays the dew point of the remote CAN Temp Humidity sensor designated at Sensor A.

Sensor B Temperature - Displays the temperature of the remote CAN Temp Humidity sensor designated at Sensor B.

Sensor B Humidity - Displays the humidity of the remote CAN Temp Humidity sensor designated at Sensor B.

Sensor B Dew Point - Displays the dew point of the remote CAN Temp Humidity sensor designated at Sensor B.

Supply Refrigerant Temperature - Displays the actual supply refrigerant temperature from the Liebert® XDC to the modules.

Figure 6.10 Sensor Data, Page 2 of 2

SENSOR DATA (page 2 of 2)		◀UNIT 01▶	
U313	Daily High Temperature	07:49:57	72°F
U314	Daily Low Temperature	07:11:30	64°F
U315	Daily High Humidity	11:31:46	45%
U316	Daily Low Humidity	07:56:18	34%
U317	Daily High Dew Point	07:47:26	45°F
U318	Daily Low Dew Point	08:02:20	37°F
U319	Daily High Refrigerant Temp	13:01:25	69°F
U320	Daily Low Refrigerant Temp	13:01:11	69°F
U321			
U322			
U323			
U324			

This window is READ ONLY

Daily High Temperature - Shows the highest temperature in a rolling 24 hour period for either remote Sensor A or remote Sensor B.

Daily Low Temperature - Shows the lowest temperature in a rolling 24 hour period for either remote Sensor A or remote Sensor B.

Daily High Humidity - Shows the highest humidity in a rolling 24 hour period for either remote Sensor A or remote Sensor B.

Daily Low Humidity - Shows the lowest humidity in a rolling 24 period for either remote Sensor A or remote Sensor B.

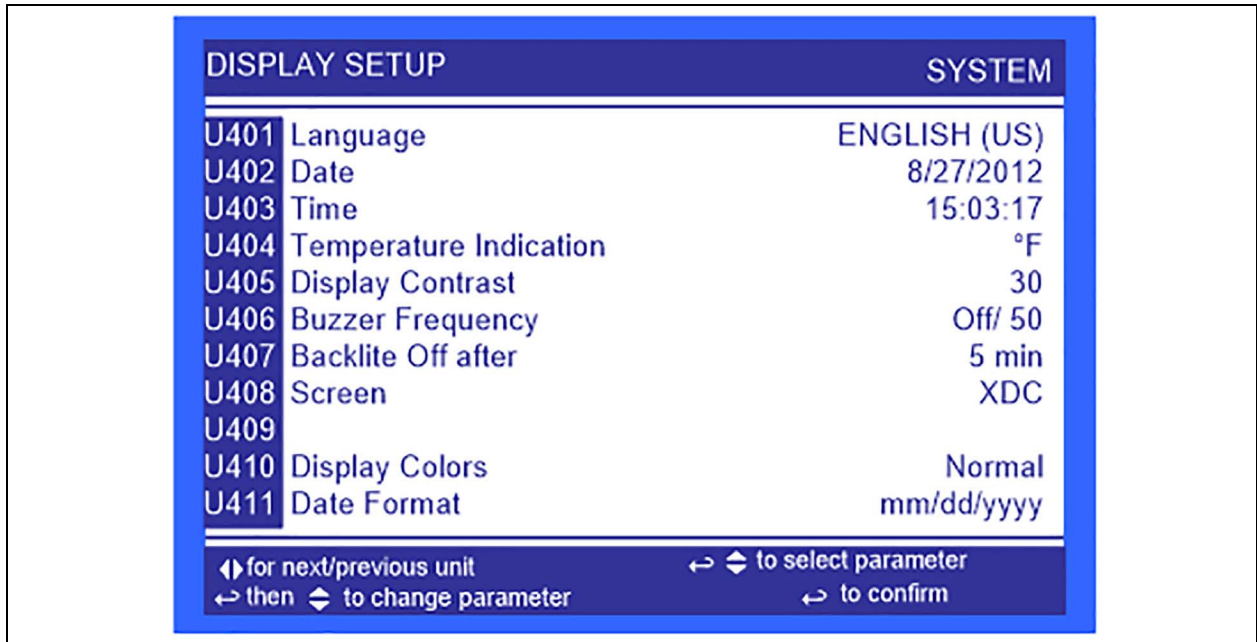
Daily High Dew Point - Shows the highest dew point in a rolling 24 hour period for either remote Sensor A or remote Sensor B.

Daily Low Dew Point - Shows the lowest dew point in a 24 hour period for either remote Sensor A or remote Sensor B.

Daily High Refrigerant Temperature - Shows the highest supply refrigerant temperature in a rolling 24 hour period from the Vertiv™ Liebert® XDC to the modules.

Daily Low Refrigerant Temperature - Shows the lowest supply refrigerant temperature in a rolling 24 hour period from the Liebert® XDC to the modules.

Figure 6.11 Display Setup



Language - Sets the language on the display. Changing this setting changes all menu parameters to the selected language.

Date - Sets the internal date of the unit. If this unit is connected to other units with the unit-to-unit network connection, each unit will reflect the last date set.

Time - Sets the internal time of the unit. If this unit is connected to other units with the unit-to-unit network connection each unit will reflect the last time set.

Temperature Indication - Selects the actual and setpoint temperature scale. Selecting C will set the unit to display in Celsius and F will set the unit to display in Fahrenheit.

Display Contrast - Changes the contrast of the display to adjust for different viewing angles, low light, and bright light conditions. As the display ages, the contrast may require adjustment for viewing.

Buzzer Frequency - Changes the audible noise frequency of the built-in buzzer. The buzzer will sound when its frequency is being adjusted, easing selection of a frequency easily detected when an alarm occurs.

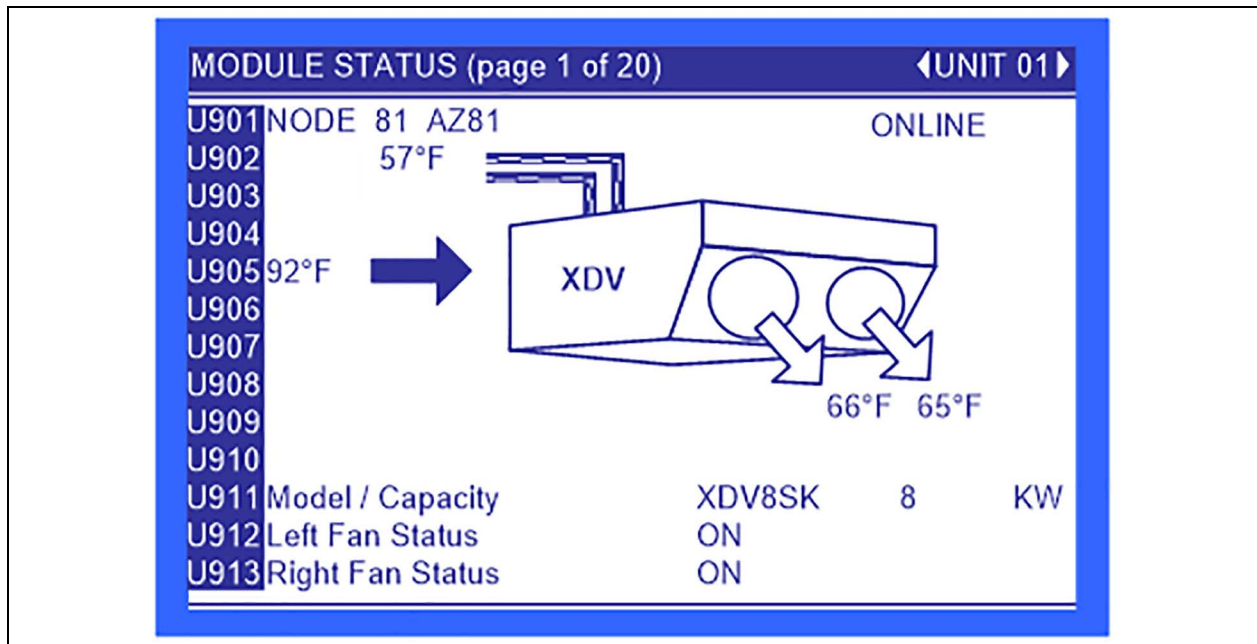
Backlite Off After - Controls how long the backlight remains active when the display is unused. When the buttons on the front display have not been pressed for the time selected in this parameter, the backlight will turn Off, extending the life of the display and saving energy.

Screen - Controls the screen layout. The Vertiv™ Liebert® XDC has one view, Unit View.

Display Colors - Selects the background color. Inverted sets the display to show white font with blue background and Normal sets a white background with blue font.

Date Format - Date format changes the month, day, and year arrangement shown on the front display and on event time stamps.

Figure 6.12 Module Status, Page 1 of 20



Module Node ID - The location within the CANbus. Each module's ID is factory set to 80 and is automatically changed during setup; requires no user action.

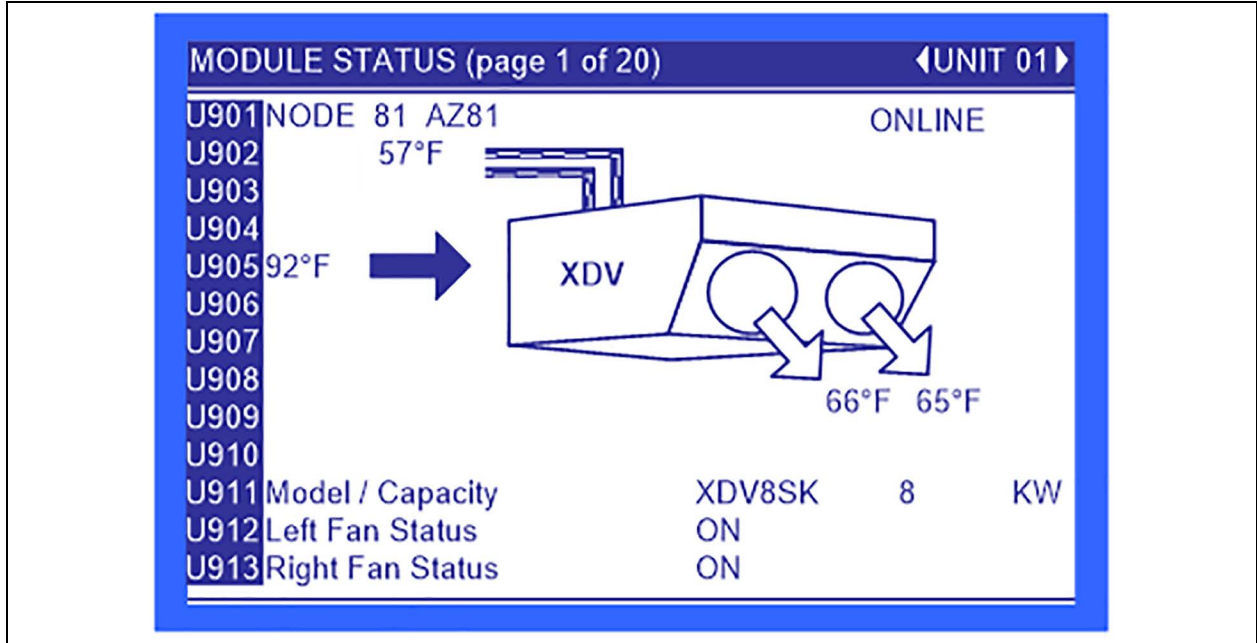
Module Labels - A four-character label consisting of two letters and two numerals. This is the standard nomenclature for Data Center Grid assignment of racks. Additionally, the module's location can be denoted with 10 characters, either letters or non-alphanumeric characters from a built-in list. Either or both labels can be used and are entered using the Module Setup found in the Service menu (S910).

Module Status - Indicates whether the smart module is connected to the CANbus.

U901 - Module Node ID/Label/Status.

U902: **Refrigerant Temperature** - The temperature of the refrigerant entering the Vertiv™ Liebert® XD smart module.

Figure 6.13 Vertiv™ Liebert® XDV Smart Module



U908 - Displays the temperature of the air leaving the right and left fan of the Liebert® XDV.

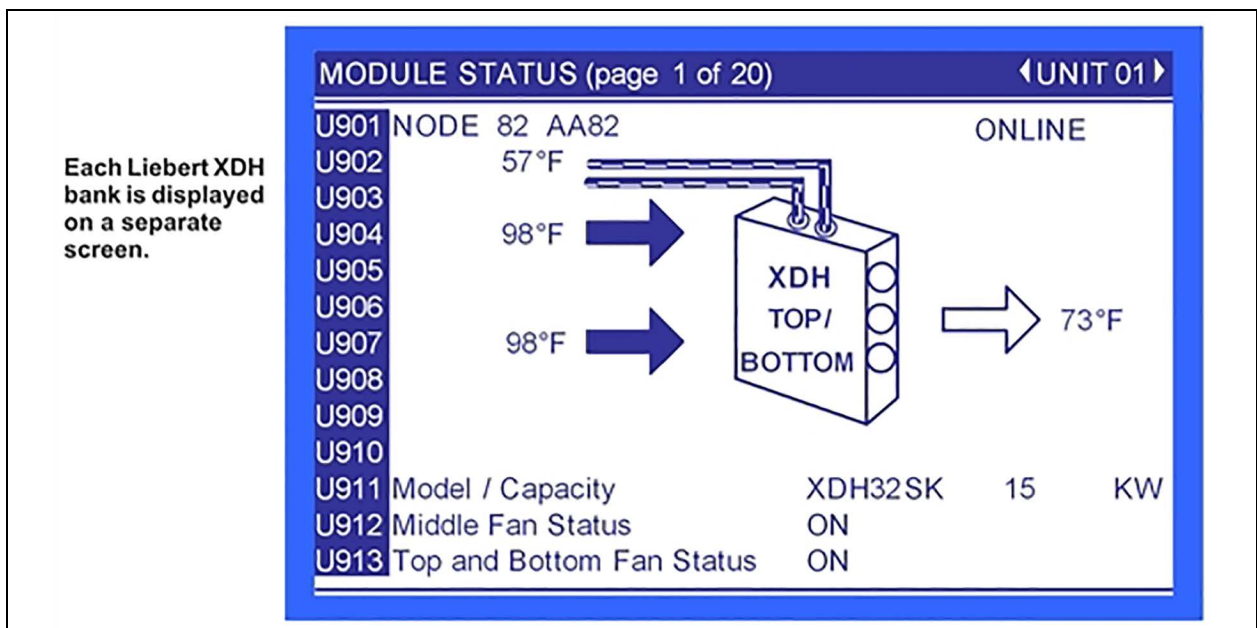
U905 - Displays the temperature of the air entering the Liebert® XDV.

U911 - Displays the module type and calculated local module capacity; possible module types are XDV8SK, XDV8SS, XDV8ST, XDV10SK, XDV10SS and XDV10ST.

U912 - Displays the left fan status; possible values are ON and OFF.

U913 - Displays the right fan status; possible values are ON, OFF and ON ECON. ON ECON indicates that only one fan is On.

Figure 6.14 Vertiv™ Liebert® XDH Smart Module, Each Bank Shown Separately



U905 - Displays the temperature of the air leaving the Vertiv™ Liebert® XDH.

U904 - Displays the temperature of the air entering the top of the bank of the Liebert® XDH.

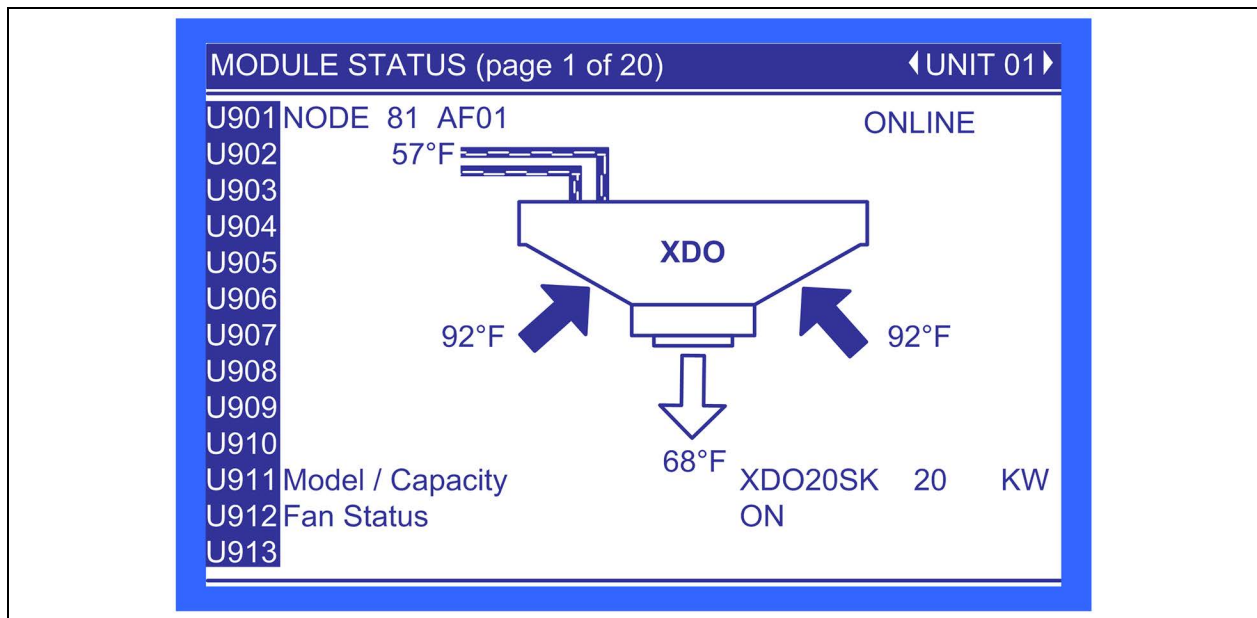
U907 - Displays the temperature of the air entering the bottom of the bank of the Liebert® XDH.

U911 - Displays the module type and calculated local module capacity; possible module types are XDH20SK, XDH20SS, XDH32SK and XDH32SS.

U912 - Displays the middle fan status; possible values are ON and OFF.

U913 - Displays the top and bottom fan status; possible values are ON, OFF and ON ECON. (ON ECON indicates that two fans have been turned On.)

Figure 6.15 Vertiv™ Liebert® XDO Smart Module



U907 - Displays the temperature of the air entering from the right and left of the Liebert® XDO.

U910 - Displays the temperature of the air leaving the Liebert® XDO.

U911 - Displays the module type and calculated local module capacity; possible module types XDO16SK, XDO16SS and XDO20SS.

U912 - Displays the fan status; possible values are ON and OFF.

Figure 6.16 Total Run Hours

TOTAL RUN HOURS		◀UNIT 01▶	
U501		Actual Hours	Limit
U502	Pump 1	454	0
U503	Pump 2	0	0
U504	Compressor 1A	0	0
U505	Compressor 1B	0	0
U506	Compressor 2A	0	0
U507	Compressor 2B	0	0
U508			
U509			
U510			
U511			

◀▶ for next/previous unit ↵ to select parameter
 ↵ then ▶ to change parameter ↵ to confirm

Each parameter shows a component, the hours that component has operated, and the maximum time the component can operate before the next maintenance.

U502 - Pump 1

U503 - Pump 2

U504 - Compressor 1A

U505 - Compressor 1B

U506 - Compressor 2A


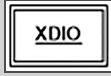


U507 - Compressor 2B

6.9 Vertiv™ Liebert® iCOM™ Service Menu Icons and Legend

Table 6.3 Liebert® iCOM™ Service Menu Icons Descriptions

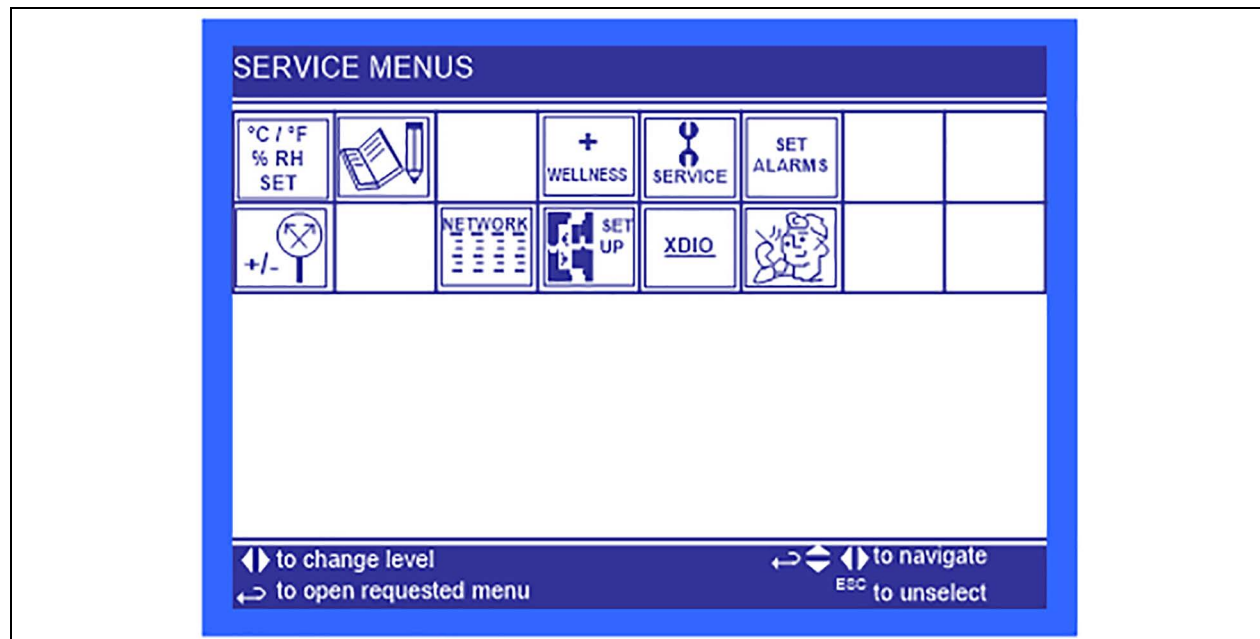
Icon	Description	Icon	Description
	Setpoints - View and change operational setpoints		Sensor Calibration/Setup - Set up and calibrate sensors for site
	Unit Diary - Shows all program changes and maintenance performed		Network - Set up or alter network setting
	Maintenance/Wellness Settings - Shows all maintenance records, calculates next maintenance date		Options Setup - Enter specific settings for various options.

Table 6.3 Liebert® iCOM™ Service Menu Icons Descriptions (continued)

Icon	Description	Icon	Description
	Diagnostics/Service Mode - Enter Diagnostics/Service Mode for troubleshooting and repair.		Smart Module - Setup of alarms and events. Set temperature limits for supply and return sensors. Label smart modules, view firmware version.
	Set Alarms - Change settings for alarms.		Service Contacts - Contains key contact information for service.

NOTE: Menu shows icons only; text is explanatory and does not appear on the Liebert® iCOM™ display.

Figure 6.17 Vertiv™ Liebert® XDC Service Menu Screen



6.10 Vertiv™ Liebert® iCOM™ Service Menu Screens

Service menus allow customized settings for site operations. Service Menu screens employ a coding that begins in “S” and is followed by parameters and information, such as settings. Gaining access to most Service Menu requires entering a password; the Service Menu password is 5010; see [Entering the Password](#) on page 62 for assistance.

The Liebert® iCOM™ control firmware is being updated constantly. As a result, the Service Menu parameters in this manual may be slightly different than what is shown on a cooling unit display. Check www.Vertiv.com for the latest Liebert® iCOM™ User manual updates.

Figure 6.18 Setpoints

SETPOINTS		◀ UNIT 01 ▶
S101	PASSWORD (Actual Level 0)	????
S102	Min Room Temperature Setpoint	60.0°F
S103	Temperature Control Type	Intelligent
S104	Temperature Proportional Band	7.0°F
S105	Temperature Integration Time	min
S106	Temperature Derivative	sec
S107	Dewpoint Margin	4.0°F
S108	Minimum Control Point	50.0°F
S109	Min Percent Cooling Setpoint	10%
S110		
S111		

◀▶ for next/previous unit	↔ to select parameter
↔ then ⬆ to change parameter	↔ to confirm

Min Room Temperature Setpoint - Sets the minimum room temperature the unit will attempt to maintain. If the temperature falls below this point, unit will raise the refrigerant temperature to reduce the amount of cooling. Adjustable from 50 to 80°F (10.0 to 26.7°C), the factory default setting is 60°F (15.6°C).

Temperature Control Type - Selects the type of control the system will use to activate cooling. The Vertiv™ Liebert® iCOM™ control has three temperature control types: Proportional, PI, and Intelligent.

Proportional - If Proportional Control is selected, the percent cooling requirement is determined by the difference between the air temperature sensor reading and the temperature setpoint. As the air temperature rises above the temperature setpoint, the percent cooling required increases proportionally (from 0 to 100%) over half the programmable temperature proportional band. The percent heating requirement (0 to 100%) is determined the same way when the air temperature falls below the setpoint.

PI - If PI Control is selected, the percent cooling requirement is calculated by adding together two individual terms, proportional and integral. The proportional term is calculated in a manner similar to the previously described Proportional control. The integral term (sometimes called reset action) is calculated by measuring how much and for how long the air temperature has been above or below the setpoint. If the actual air temperature is above the setpoint, the percent requirement is slowly but continuously increased until the total is sufficient to bring the return room air back to the setpoint.

Intelligent - If Intelligent Control is selected, the air temperature is controlled at or near the setpoint. The percent temperature adjustment required is calculated based on logic that is programmed into the control. These rules simulate the actions that would be taken by a human operator manually controlling the system.

Temperature Proportional Band - Adjusts the activation points of compressors or rate of change based on the actual sensor values deviation from setpoint. The smaller this number the faster the compressors and valve(s) will increase capacity. Too small of a number may cause the unit to short cycle the compressors or excessively reposition the valve. This parameter is adjustable from 1.8 to 54.0°F (1.0 to 30.0°C). The factory default setting is 7.0°F (3.9°C).

Temperature Integration Time - Temperature integration takes into consideration the amount of time the actual temperature has deviated from the setpoint. The larger this deviation is the longer the unit will wait before corrective action is taken to achieve the setpoint. This parameter is adjustable from 0 to 15 minutes. The factory default is 0.

Temperature Derivative Time - Monitors the rate of change and will reduce or increase the amount of corrective action based on the actual temperature increasing or decreasing toward the temperature setpoint. This parameter is adjustable from 0-900 seconds. The factory default is 0.

Dewpoint Margin - Selects the difference between the room dew point and the refrigerant temperature control point. This parameter is adjustable from 4.0 to 10.0°F (2.2 to 6.0°C). The factory default setting is 4.0°F (2.2°C).

Minimum Control Point - Sets the minimum supply refrigerant temperature the Vertiv™ Liebert® XDC will maintain. This parameter is adjustable from 10 to 80°F (5.0 to 27.0°C). The factory default is 55°F (12.8°C).

Min Percent Cooling Setpoint - Selects the lowest percent call for cooling during normal operations. Whenever the unit is not in start-up mode or OFF, the percent call for cooling cannot go below this value. The parameter is adjustable from 5 to 30%. The factory default is 5%.

Figure 6.19 Maintenance

Basic Settings (page 1 of 7)		SYSTEM
S001	PASSWORD (Actual Level 0)	????
S002	Maintenance Frequency Per Year	1
S003	Max Bonus	0
S004	Max Penalty	0
S005	Last Maintenance	08/25/2011
S006	Service Engineer	NOBODY
S007	Confirm PM	No
S008	Calculated Next Maintenance	08/2014
S009		
S010		
S011		

◀▶ for next/previous unit ↕ to select parameter
 ↵ then ↕ to change parameter ↵ to confirm

Maintenance Frequency Per Year - Sets the number of expected maintenance visits in a one year time span.

Max Bonus - Increases the time until the next required maintenance. A bonus should be assigned when a service visit finds that all components are working optimally.

Max Penalty - Decreases the time until the next maintenance cycle. A penalty should be used when a service visit finds excessive wear on components.

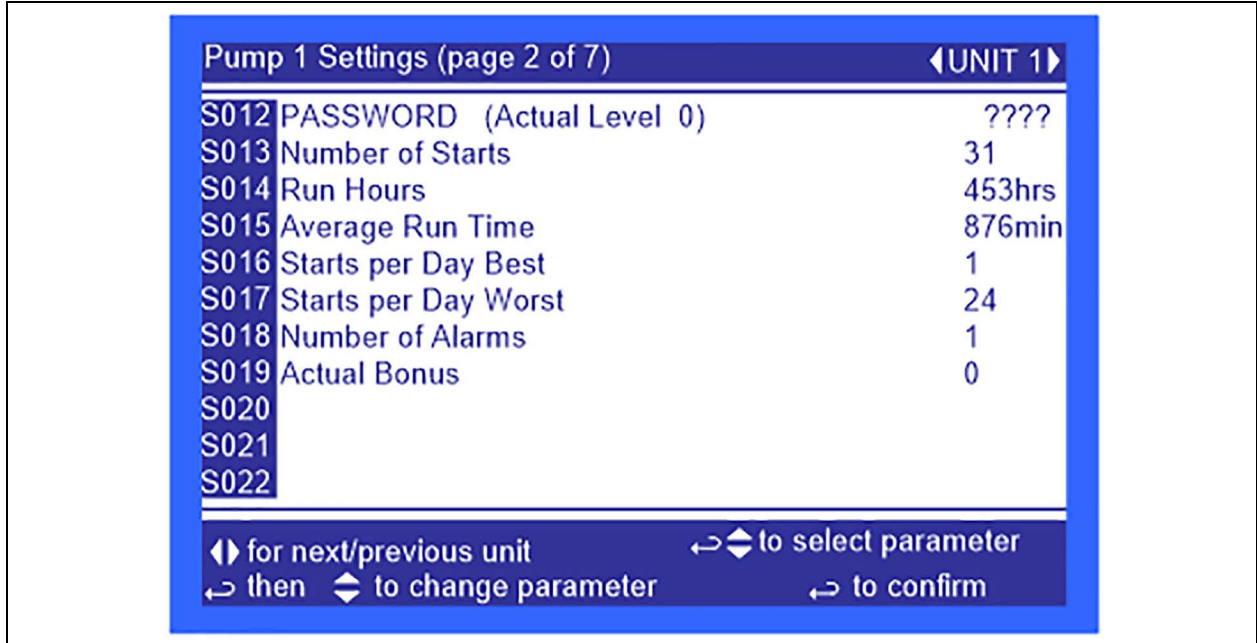
Last Maintenance - Date set during the service call. It also indicates to other service personnel the date of the last visit.

Service Engineer - Provides a label for the service representative to list either the company name or representative's name.

Confirm PM - Confirms that the service representative has completed the preventive maintenance and resets the next maintenance date.

Calculated Next Maintenance - Provides a date to for the next expected maintenance based on the last preventive maintenance performed (Confirm PM), component starts, run hours, and the penalty or bonus set in the Vertiv™ Liebert® iCOM™ control.

Figure 6.20 Pump 1 Settings, Page 2 of 7



Number of Starts - Shows the number of starts for the unit's Pump 1.

Run Hours - Shows the number of run hours for the unit's Pump 1.

Average Run Time - Shows the average run time of the unit's Pump 1.

Starts per Day Best - Displays the lowest number of starts in a rolling 24-hour period for Pump 1

Starts per Day Worst - Displays the highest number of starts in a rolling 24-hour period for Pump 1

Number of Alarms - Displays the number of alarms that have occurred with the unit's Pump 1

Actual Bonus - Displays the actual calculation of wellness for the unit's Pump 1. The unit will always take the value from the worst component for the next maintenance indication.

Figure 6.21 Pump 2 Settings, Page 3 of 7

Pump 2 Settings (page 3 of 7)		◀UNIT 1▶
S023	PASSWORD (Actual Level 0)	????
S024	Number of Starts	2
S025	Run Hours	0hrs
S026	Average Run Time	0min
S027	Starts per Day Best	1
S028	Starts per Day Worst	24
S029	Number of Alarms	1
S030	Actual Bonus	0
S031		
S032		
S033		

◀▶ for next/previous unit	↔ to select parameter
↔ then ⬆ to change parameter	↔ to confirm

Number of Starts - Displays the number of starts for the unit's Pump 2.

Run Hours - Displays the number of run hours for the unit's Pump 2.

Average Run Time - Displays the average run time of the unit's Pump 2.

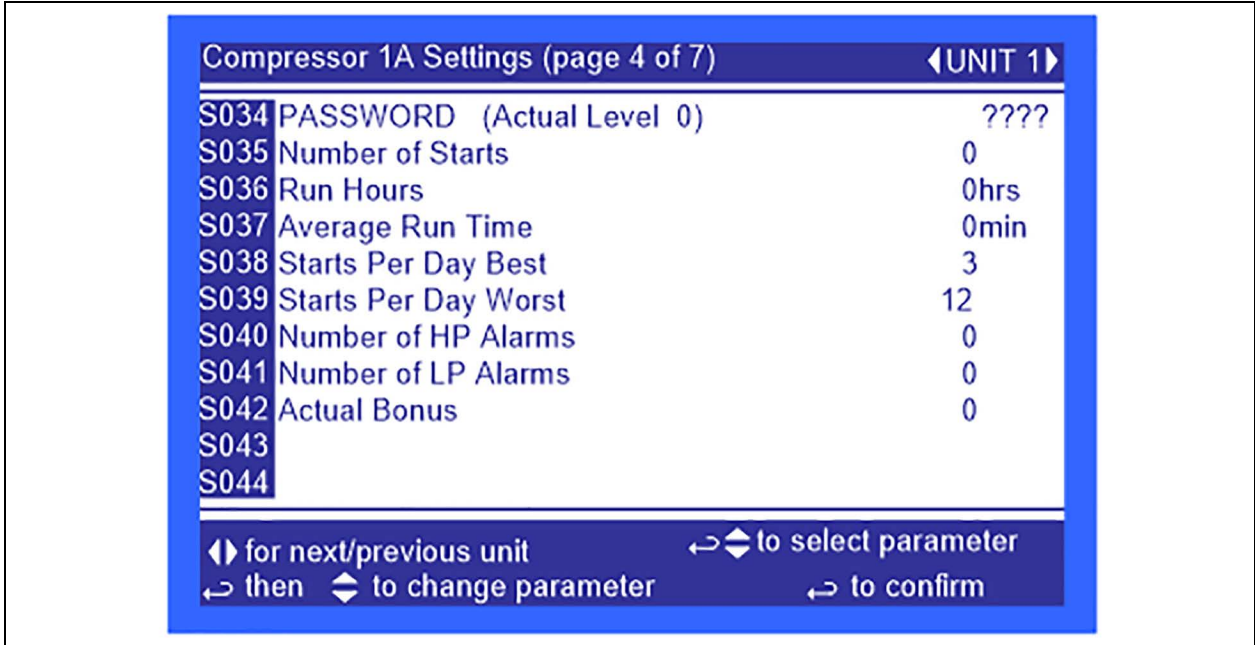
Starts per Day Best - Displays the lowest number of starts in a rolling 24-hour period for Pump 2

Starts per Day Worst - Displays the highest number of starts in a rolling 24-hour period for Pump 2

Number of Alarms - Displays the number of alarms that have occurred with the unit's Pump 2

Actual Bonus - Displays the actual calculation of wellness for the unit's Pump 2. The unit will always take the value from the worst component for the next maintenance indication.

Figure 6.22 Compressor 1A Settings



Number of Starts - Displays the number of starts for the unit's Compressor 1A.

Run Hours - Displays the number of run hours for the unit's Compressor 1A.

Average Run Time - Displays the average run time of the unit's Compressor 1A.

Starts per Day Best - Displays the lowest number of starts in a rolling 24-hour period for Compressor 1A.

Starts per Day Worst - Displays the highest number of starts in a rolling 24-hour period for Compressor 1A.

Number of HP Alarms - Displays the number of high pressure alarms that have occurred with the unit's Compressor 1A.

Number of LP Alarms - Displays the number of low pressure alarms that have occurred with the unit's Compressor 1A.

Actual Bonus- Displays the actual calculation of wellness for the unit's Compressor 1A. The unit will always take the value from the worst component for the next maintenance indication.

Figure 6.23 Compressor 1B Settings

Compressor 1B Settings (page 5 of 7)		◀UNIT 1▶
S045	PASSWORD (Actual Level 0)	????
S046	Number of Starts	0
S047	Run Hours	0hrs
S048	Average Run Time	0min
S049	Starts Per Day Best	3
S050	Starts Per Day Worst	12
S051	Number of HP Alarms	0
S052	Number of LP Alarms	0
S053	Actual Bonus	0
S054		
S055		

◀▶ for next/previous unit	↔ to select parameter
↵ then ↔ to change parameter	↵ to confirm

Number of Starts - Displays the number of starts for the unit's Compressor 1B.

Run Hours - Displays the number of run hours for the unit's Compressor 1B.

Average Run Time - Displays the average run time of the unit's Compressor 1B.

Starts per Day Best - Displays the lowest number of starts in a rolling 24-hour period for Compressor 1B.

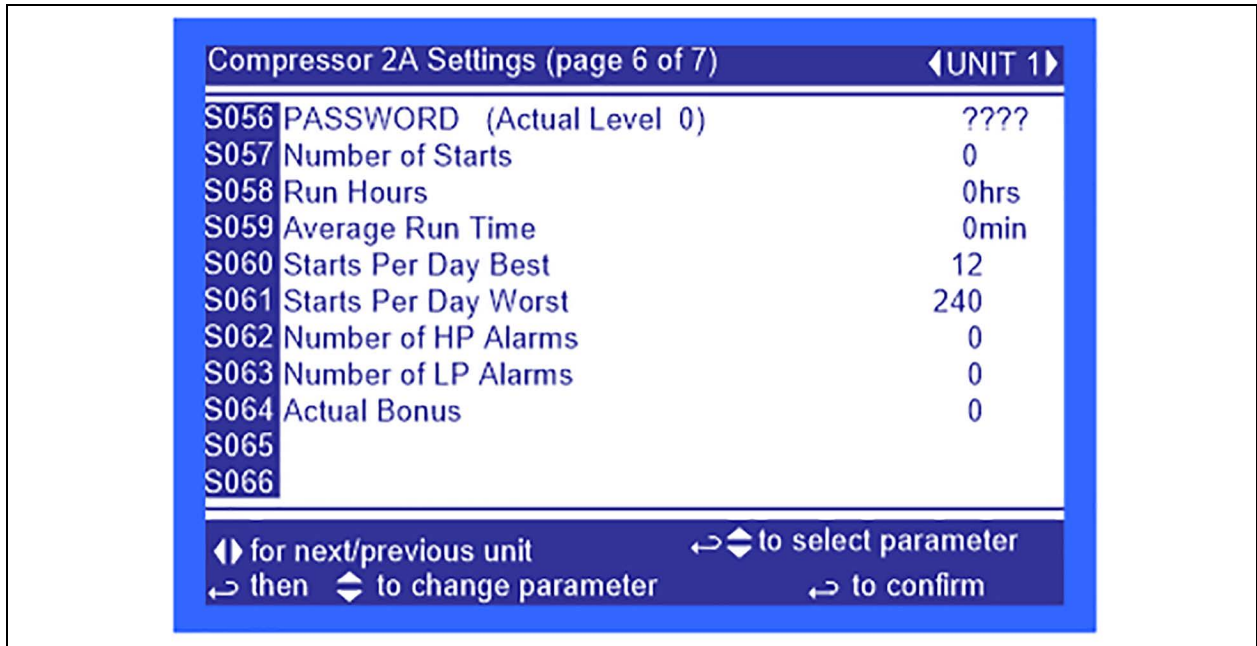
Starts per Day Worst - Displays the highest number of starts in a rolling 24-hour period for Compressor 1B.

Number of HP Alarms - Displays the number of high pressure alarms that have occurred with the unit's Compressor 1B.

Number of LP Alarms - Displays the number of low pressure alarms that have occurred with the unit's Compressor 1B.

Actual Bonus - Displays the actual calculation of wellness for the unit's Compressor 1B. The unit will always take the value from the worst component for the next maintenance indication.

Figure 6.24 Compressor 2A Settings



Number of Starts - Displays the number of starts for the unit's Compressor 2A.

Run Hours - Displays the number of run hours for the unit's Compressor 2A.

Average Run Time - Displays the average run time of the unit's Compressor 2A.

Starts per Day Best - Displays the lowest number of starts in a rolling 24-hour period for Compressor 2A.

Starts per Day Worst - Displays the highest number of starts in a rolling 24-hour period for Compressor 2A.

Number of HP Alarms - Displays the number of high pressure alarms that have occurred with the unit's Compressor 2A.

Number of LP Alarms - Displays the number of low pressure alarms that have occurred with the unit's Compressor 2A.

Actual Bonus - Displays the actual calculation of wellness for the unit's Compressor 2A. The unit will always take the value from the worst component for the next maintenance indication.

Figure 6.25 Compressor 2B Settings

Compressor 2B Settings (page 7 of 7)		◀UNIT 1▶
S067	PASSWORD (Actual Level 0)	????
S068	Number of Starts	0
S069	Run Hours	0hrs
S070	Average Run Time	0min
S071	Starts Per Day Best	12
S072	Starts Per Day Worst	240
S073	Number of HP Alarms	0
S074	Number of LP Alarms	0
S075	Actual Bonus	0
S076		
S077		

◀▶ for next/previous unit	↔ to select parameter
↵ then ▶ to change parameter	↵ to confirm

Number of Starts - Displays the number of starts for the unit's Compressor 2B.

Run Hours - Displays the number of run hours for the unit's Compressor 2B.

Average Run Time - Displays the average run time of the unit's Compressor 2B.

Starts per Day Best - Displays the lowest number of starts in a rolling 24-hour period for Compressor 2B.

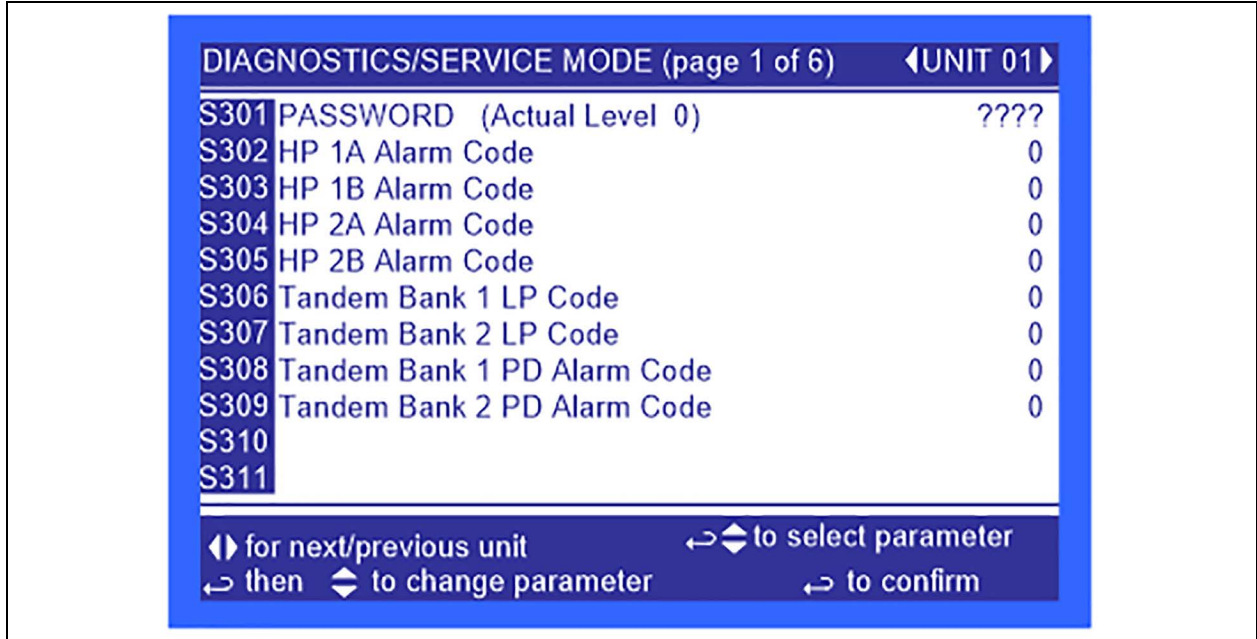
Starts per Day Worst - Displays the highest number of starts in a rolling 24-hour period for Compressor 2B.

Number of HP Alarms - Displays the number of high pressure alarms that have occurred with the unit's Compressor 2B.

Number of LP Alarms - Displays the number of low pressure alarms that have occurred with the unit's Compressor 2B.

Actual Bonus - Displays the actual calculation of wellness for the unit's Compressor 2B. The unit will always take the value from the worst component for the next maintenance indication.

Figure 6.26 Diagnostics/Services Mode, Page 1 of 6



HP 1A Alarm Code - Compressor 1A high pressure alarm code. Values can be 0, 2, 4 or 5. 0 indicates no alarms or the alarm counter has been reset. 2 indicates the high pressure input has been continuously activated for 30 seconds. 4 indicates there have been four high pressure situations within 10 minutes. 5 indicates there have been three high pressure instances within a rolling 12-hour period.

HP 1B Alarm Code - Compressor 1B high pressure alarm code. Values can be 0, 2, 4 or 5. 0 indicates no alarms or the alarm counter has been reset. 2 indicates the high pressure input has been continuously activate for 30 seconds. 4 indicates there have been four high pressure situations within 10 minutes. 5 indicates there have been three high pressure instances within a rolling 12-hour period.

HP 2A Alarm Code - Compressor 2A high pressure alarm code. Values can be 0, 2, 4, or 5. 0 indicates no alarms or the alarm counter has been reset. 2 indicates the high pressure input has been continuously activate for 30 seconds. 4 indicates there have been four high pressure situations within 10 minutes. 5 indicates there have been three high pressure instances within a rolling 12-hour period.

HP 2B Alarm Code - Compressor 2B high pressure alarm code. Values can be 0, 2, 4 or 5. 0 indicates no alarms or the alarm counter has been reset. 2 indicates the high pressure input has been continuously activate for 30 seconds. 4 indicates there have been four high pressure situations within 10 minutes. 5 indicates there have been three high pressure instances within a rolling 12-hour period.

Tandem Bank 1 LP Code - Compressor Circuit 1 low pressure alarm code. Values can be 0, 1 or 3. 0 indicates no alarms. 1 indicates upon start-up of a tandem bank of compressors, pressure was not established for the compressors to be able to continue to run. 3 indicates that after operating normally, the low pressure switch opened and the tandem bank of compressors was unable to establish pressure.

Tandem Bank 2 LP Code - Compressor Circuit 2 low pressure alarm code. Values can be 0, 1 or 3. 0 indicates no alarms. 1 indicates upon start-up of a tandem bank of compressors, pressure was not established for the compressors to be able to continue to run. 3 indicates that after operating normally, the low pressure switch opened and the tandem bank of compressors was unable to establish pressure.

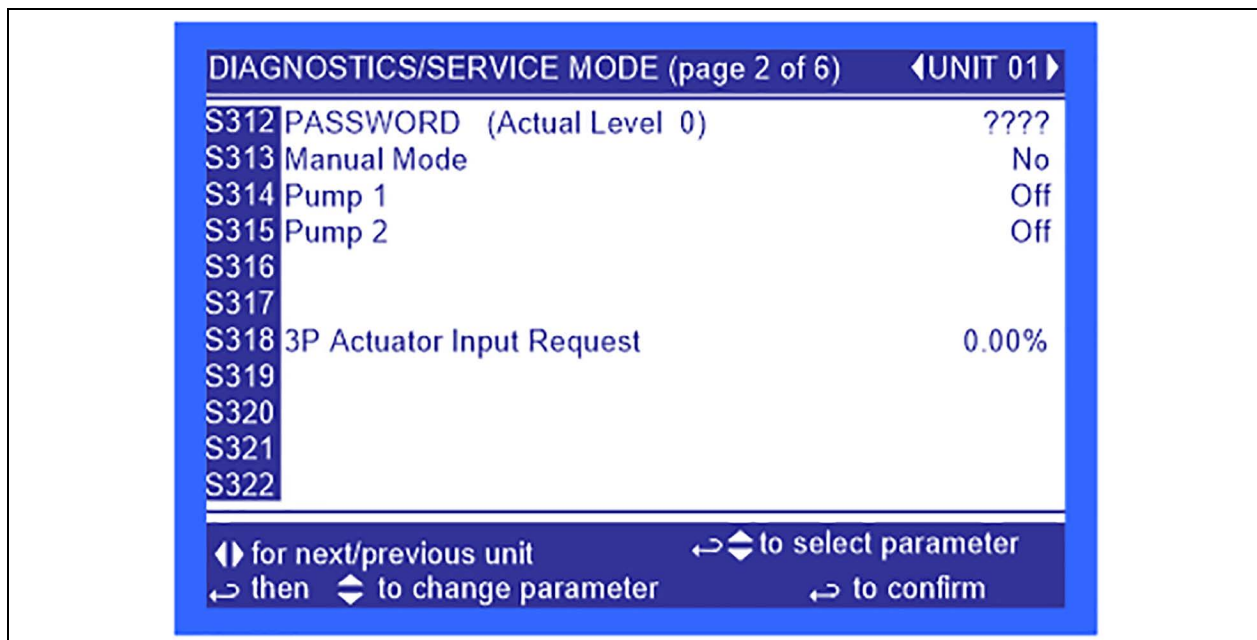
Pumpdown Alarms - If a compressor is unable to pump down the circuit within one minute, the liquid line solenoid valve will be toggled On, then Off. This is done because the liquid line solenoid valve could be stuck and this could fix it. If, after another minute, the compressor is unable to pump down the circuit, the liquid line solenoid valve will be toggled again. This will continue until either the compressor is able to pump down the circuit or the liquid line solenoid valve is toggled three times. If, after three times of toggling the liquid line solenoid valve and waiting 1 minute, the compressor is still unable to pump down the circuit, the compressor will be turned Off, a pump down failure alarm will be activated for that circuit and the Pump Down Alarm Code for that tandem compressor bank will be set to 1.

There is a re-pump down if the Low Pressure Switch closes again after the compressor has been pumped down; six re-pump down cycles per hour are allowed. At the seventh request of a re-pump-down, the compressor will not be started to re-pump-down the circuit again, a pump down failure alarm is activated for that circuit and the Pump Down Alarm Code for that tandem compressor bank is set to 2.

Tandem Bank 1 PD Alarm Code—Compressor Circuit 1 is pump down alarm code; possible values are 0, 1, and 2.

Tandem Bank 2 PD Alarm Code—Compressor Circuit 2 is pump down alarm code; possible values are 0, 1, and 2.

Figure 6.27 Diagnostics/Service Mode, page 2 of 6



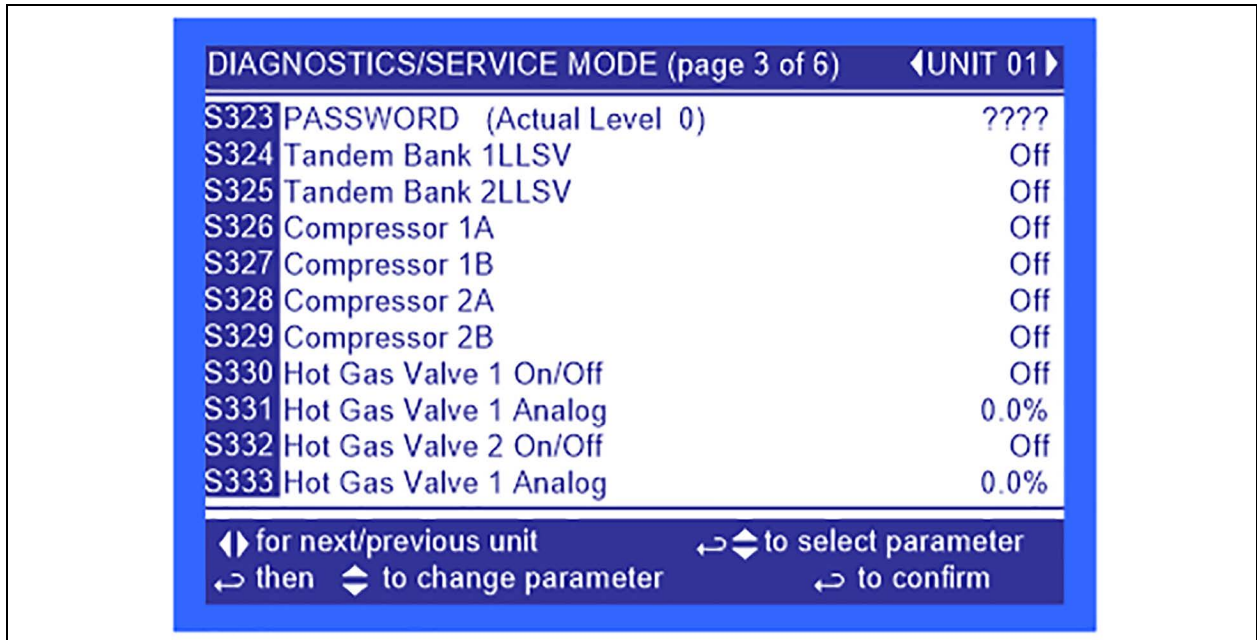
Manual Mode - Used to place the Vertiv™ Liebert® iCOM™ control in manual mode. This is the initial setting necessary to activate any of the following items. When the Liebert® iCOM™ is not in manual mode, each service menu item shows the current status of each parameter.

Pump 1 - Used to start the unit's Pump 1.

Pump 2 - Used to start the unit's Pump 2.

3P Actuator Input Request - A service tool to view the percent call for cooling.

Figure 6.28 Diagnostics/Service Mode, Page 3 of 6



Tandem Bank 1LLSV - Controls the liquid line solenoid valve for Compressor Circuit 1. Valves are On or Off.

Tandem Bank 2LLSV - Controls the liquid line solenoid valve for Compressor Circuit 2. Valves are On or Off.

Compressor 1A - Turns on Compressor 1A and selects the mode of compressor operation. The operation selections are Run and Evacuate.

Compressor 1B - Turns on Compressor 1B and selects the mode of compressor operation. The operation selections are Run and Evacuate.

Compressor 2A - Turns on Compressor 2A and selects the mode of compressor operation. The operation selections are Run and Evacuate.

Compressor 2B - Turns on Compressor 2B and selects the mode of compressor operation. The operation selections are Run and Evacuate.

Hot Gas Valve 1 On/Off - Turns on the hot gas solenoid valve for Compressor Circuit 1.

Hot Gas Valve 1 Analog - Sets the hot gas valve percentage open for Compressor Circuit 1.

Hot Gas Valve 2 On/Off - Turns on the hot gas solenoid valve for Compressor Circuit 2.

Hot Gas Valve 2 Analog - Sets the hot gas valve percentage open for Compressor Circuit 2.

Figure 6.29 Diagnostics/Service Mode, Page 4 of 6

DIAGNOSTICS/SERVICE MODE (page 4 of 6)		◀UNIT 01▶
S334	PASSWORD (Actual Level 0)	????
S335	Tandem Bank 1 Mode	Run
S336	Tandem Bank 2 Mode	Run
S337	Manual Mode Control Type	Full
S338	Manual Deviation	10%
S339	Analog Output Ramp 1	0%
S340	Analog Output Ramp 2	0%
S341	Analog Output Ramp 3	0%
S342	Analog Output Ramp 4	55%
S343	Alarm Relay	Off
S344	Warning Relay	Off

◀▶ for next/previous unit	↔ to select parameter
↔ then ⬆ to change parameter	↔ to confirm

Tandem Bank 1 Mode - A settable parameter via the service Diagnostics/Service menu. When set to Run, this parameter will allow the user to turn On or Off any single or multiple digital output or set any single or multiple analog output to a specific output setting.

Tandem Bank 2 Mode - A settable parameter via the service Diagnostics / Service menu. When this parameter is set to Run, the control will allow the user to turn On/Off any single or multiple digital output or set any single or multiple analog output to a specific output setting.

Manual Mode Control Type - Not currently used.

Manual Deviation - Not currently used.

Analog Output Ramp 1 - Sets the value of Analog Output 1 value as a percentage. The factory default for the Vertiv™ Liebert® XDC is the hot gas valve 1.

Analog Output Ramp 2 - Sets the value of Analog Output 2 value as a percentage. The factory default for the Liebert® XDC is the Call for Cooling.

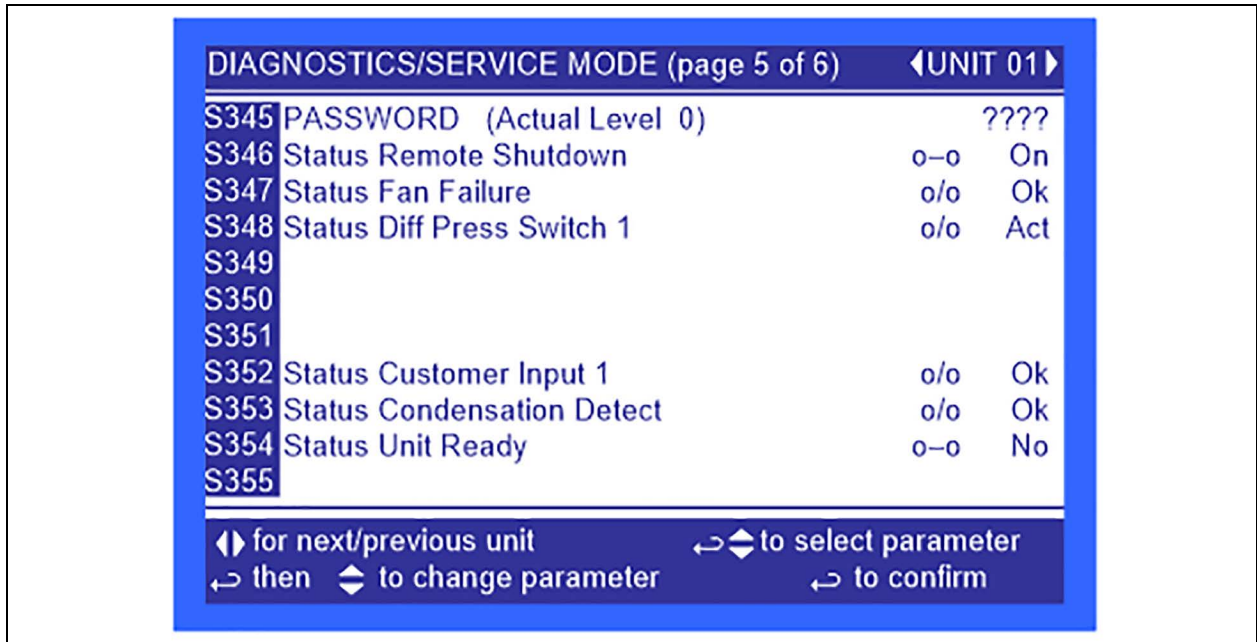
Analog Output Ramp 3 - Sets the value of Analog Output 3 value as a percentage. The factory default for the Liebert® XDC is the hot gas valve 2.

Analog Output Ramp 4 - Sets the value of Analog Output 4 value as a percentage. The factory default for the Liebert® XDC is the refrigerant temperature.

Alarm Relay - Used to activate the Vertiv™ Liebert® iCOM™ control's common alarm relay output.

Warning Relay - Used to activate the Liebert® iCOM™ control's warning relay output.

Figure 6.30 Diagnostics/Service Mode, Page 5 of 6



Status Remote Shutdown - Displays the status of the unit’s remote shutdown input.

Status Fan Failure - Displays the status of the dry contact to communicate fan failure at a module. (The dry contacts are not used to communicate a fan failure alarm when using CANbus.)

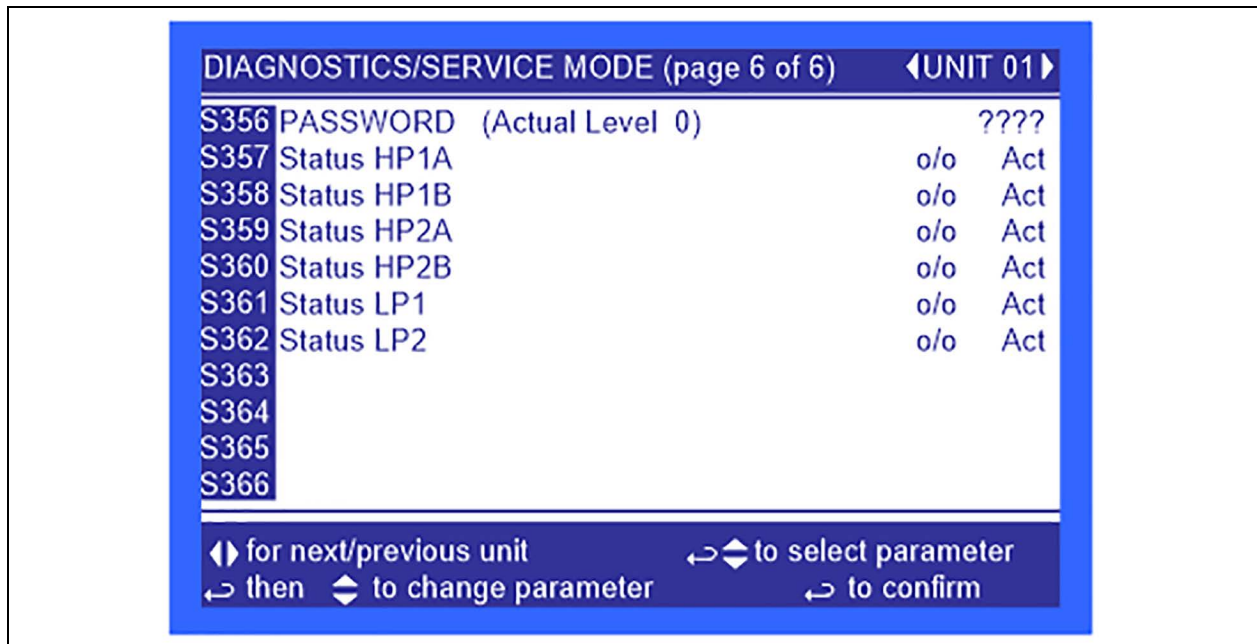
Status Diff Press Switch 1 - Displays the status of the differential pressure switch.

Status Customer Input 1 - Displays the status of the customer input 1 alarm.

Status Condensation Detect - Displays the status of the dry contact to communicate condensate detection at a module.

Status Unit Ready - Shows unit status when a secondary device, such as a fire detection system, is employed.

Figure 6.31 Diagnostics/Service Mode, Page 6 of 6



Status HP1A - Shows the status of the unit's Compressor 1A high pressure switch input.

Status HP1B - Shows the status of the unit's Compressor 1B high pressure switch input.

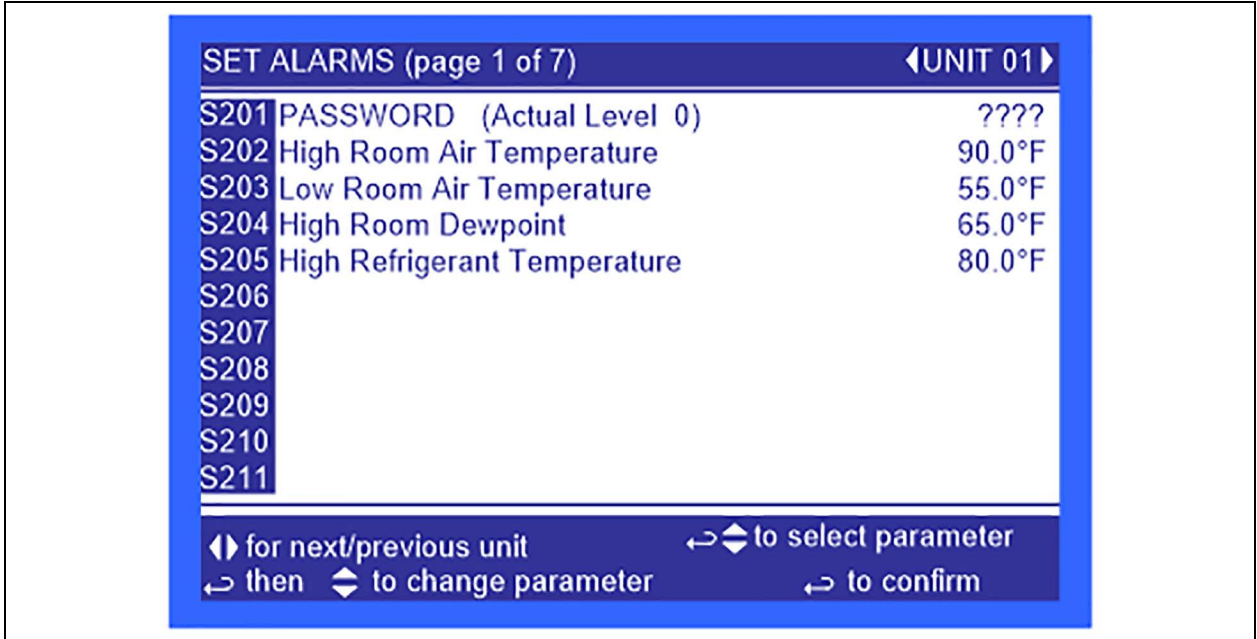
Status HP2A - Shows the status of the unit's Compressor 2A high pressure switch input.

Status HP2B - Shows the status of the unit's Compressor 2B high pressure switch input.

Status LP1 - Shows the status of the unit's Compressor Circuit 1 low pressure switch input.

Status LP2 - Shows the status of the unit's Compressor Circuit 2 low pressure switch input.

Figure 6.32 Set Alarms, Page 1 of 7



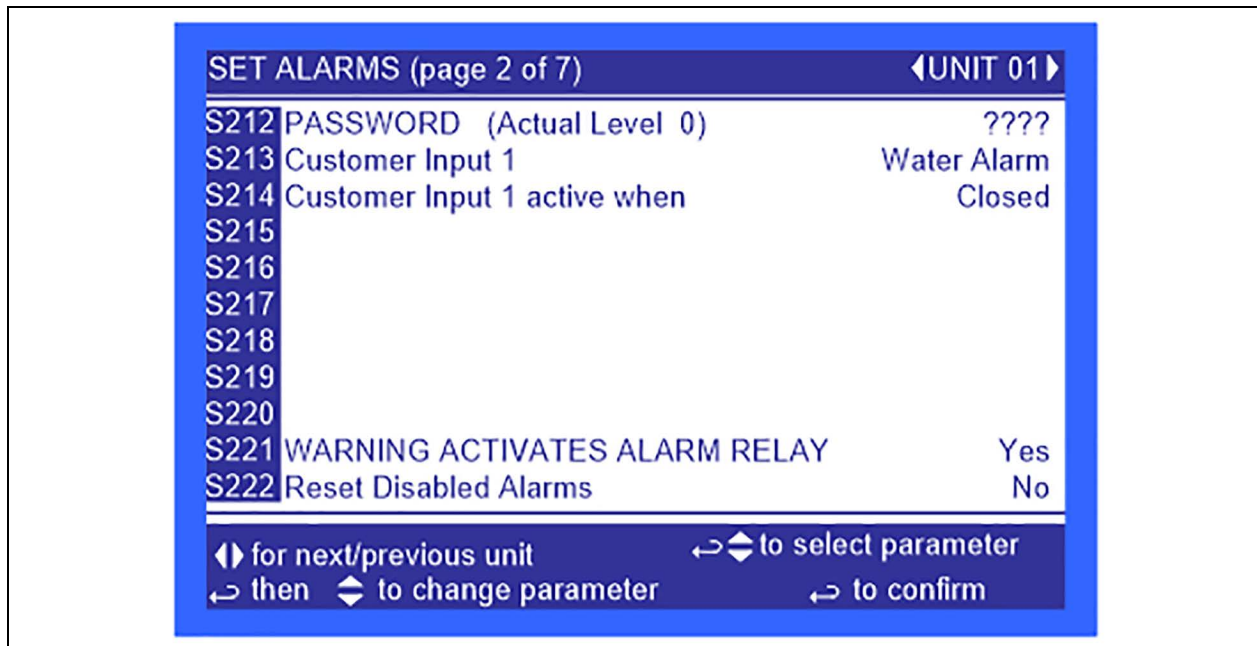
High Room Air Temperature - Sets the threshold for a high room air temperature alarm. The range for the high room air temperature alarm is from 33.8 to 95°F (1 to 35°C); the default is 80°F (26.7°C).

Low Room Air Temperature - Sets the threshold for a low room air temperature alarm. The range for the low room air temperature alarm is from 33.8 to 95°F (1 to 35°C); the default is 55°F (12.8°C).

High Room Dewpoint - Sets the threshold for a return high dew point alarm. The range for the high room dew point alarm is from 33.8 to 95°F (1 to 35°C); the default is 65°F (18.3°C).

High Refrigerant Temperature - Sets the threshold for a high a refrigerant temperature alarm. The range for the high supply refrigerant temperature alarm is from 33.8 to 95°F (1 to 35°C); the default is 80°F (26.7°C).

Figure 6.33 Set Alarms, Page 2 of 7



Customer Input 1 - Selects the device and operation of the customer input. Each event reflects a different alarm and possible action to the unit. Selectable options are:

- Comp Lock PD—This parameter will lockout and pump down the compressor.
- Call Service
- C-Input
- Water
- Smoke

Customer Input 1 active when - Selects whether the input is normally closed or normally open.

WARNING ACTIVATES ALARM RELAY - Sets the alarm relay (K3) to activate when a warning occurs.

Reset Disabled Alarms - Resets disabled events.

6.10.1 Set Alarm Screens, Pages 3-7

The Set Alarm Screens, pages 3 through 7 (Figure 6.34 on the next page through Figure 6.38 on page 96) permit setting the operation of an active alarm. Each event can be enabled or disabled and can be set to operate as an alarm, warning or message. The delay is the time the control waits before reporting the event.

Alarm: Annunciates the buzzer, triggers a monitoring event, triggers the alarm relay, and flashes the red LED on the display

Warning: Annunciates the buzzer, triggers a monitoring event, shows the event in the event viewer/front display, and flashes the red LED on the display.

Message: Shows the event in the event viewer and on the front display.

Figure 6.34 Set Alarms, Page 3 of 7

SET ALARMS (page 3 of 7)		◀UNIT 01▶		
S223	PASSWORD (Actual Level 0)			????
S224		DELAY	EN-DIS	TYPE
S225	HIGH TEMP SENSOR A	30	ENABLE	ALM
S226	LOW TEMP SENSOR A	30	ENABLE	ALM
S227	HIGH TEMP SENSOR B	30	ENABLE	ALM
S228	LOW TEMP SENSOR B	30	ENABLE	ALM
S229	HIGH DEWPOINT	30	ENABLE	ALM
S230	SENSOR A FAILURE		ENABLE	ALM
S231	SENSOR B FAILURE		ENABLE	ALM
S232				
S233				
S234				
S235				

High Temp Sensor A - Enables or disables the High Temperature Sensor A event, which occurs when the reading from Sensor A is above the user-specified alarm setpoint. Sets how the event is reported: as an alarm, a warning or a message. Specifies how long the control waits before reporting the event.

Low Temp Sensor A - Enables or disables the Low Temperature Sensor A event, which occurs when the reading from Sensor A is below the user-specified alarm setpoint. Sets how the event is reported: as an alarm, a warning or a message. Specifies how long the control waits before reporting the event.

High Temp Sensor B - Enables or disables the High Temperature Sensor B event, which occurs when the reading from Sensor B is above the user-specified alarm setpoint. Sets how the event is reported as an alarm, a warning or a message. Specifies how long the control waits before reporting the event.

Low Temp Sensor B - Enables or disables the Low Temperature Sensor B event, which occurs when the reading from Sensor B is below the user-specified alarm setpoint. Sets how the event is reported: as an alarm, a warning or a message. Specifies how long the control waits before reporting the event.

High Dewpoint - Enables or disables the High Dewpoint event, which occurs when the calculated dew point at Sensor A or Sensor B is above the user-specified alarm setpoint. Sets how the event is reported: as an alarm, a warning or a message. Specifies how long the control waits before reporting the event.

Sensor A Failure - Enables or disables the Sensor A Failure event, which occurs when the control no longer senses a signal from Sensor A. Sets how the event is reported: as an alarm, a warning or a message. Specifies how long the control waits before reporting the event.

Sensor B Failure - Enables or disables the Sensor B Failure event, which occurs when the control no longer senses a signal from Sensor B. Sets how the event is reported: as an alarm, a warning or a message. Specifies how long the control waits before reporting the event.

Figure 6.35 Set Alarms, Page 4 of 7

SET ALARMS (page 4 of 7)		◀UNIT 01▶		
S236	PASSWORD (Actual Level 0)			????
S237		DELAY	EN-DIS	TYPE
S238	HIGH REFRIGERANT TEMP	30	ENABLE	ALM
S239	LOW REFRIGERANT TEMP	30	ENABLE	ALM
S240	SUPPLY REFRIGERANT SENSOR		ENABLE	ALM
S241	LOSS OF FLOW PUMP 1		ENABLE	ALM
S242	LOSS OF FLOW PUMP 2		ENABLE	ALM
S243	PUMP SHORT CYCLE		ENABLE	ALM
S244				
S245				
S246				
S247				
S248	COMPRESSOR(S) LOCKOUT	5	ENABLE	WRN

High Refrigerant Temp - Enables or disables the High Refrigerant Temp event, which occurs when the reading from supply refrigerant temperature sensor is above the user-specified alarm setpoint. Sets how the event is reported: as an alarm, a warning or a message. Specifies how long the control waits before reporting the event.

Low Refrigerant Temp - Enables or disables the Low Refrigerant Temp event, which occurs when the reading from supply refrigerant temperature sensor is below the user-specified alarm setpoint. Sets how the event is reported: as an alarm, a warning or a message. Specifies how long the control waits before reporting the event.

Supply Refrigerant Sensor - Enables or disables the Supply Refrigerant Sensor event, which occurs when the control no longer senses a signal from the Supply Refrigerant Sensor. Sets how the event is reported: as an alarm, a warning or a message. Specifies how long the control waits before reporting the event.

Loss of Flow Pump 1 - Enables or disables the Loss of Flow Pump 1 event, which occurs when Pump 1 is commanded to run and the differential pressure switch does not sense differential pressure. Sets how the event is reported: as an alarm, a warning or a message. Specifies how long the control waits before reporting the event.

Loss of Flow Pump 2 - Enables or disables the Loss of Flow Pump 2 event, which occurs when Pump 2 is commanded to run and the differential pressure switch does not sense differential pressure. Sets how the event is reported: as an alarm, a warning or a message. Specifies how long the control waits before reporting the event.

Pump Short Cycle - Enables or disables the Pump Short Cycle event, which occurs when flow is not established by either pump for 30 minutes. Sets how the event is reported: as an alarm, a warning or a message. Specifies how long the control waits before reporting the event.

Compressor(s) Lockout - Enables or disables the Compressor(s) Lockout event, which occurs when the Customer Input 1 is configured for "Comp Lock PD" and 24 VAC is applied to the input. Sets how the event is reported: as an alarm, a warning or a message. Specifies how long the control waits before reporting the event.

Figure 6.36 Set Alarms, Page 5 of 7

SET ALARMS (page 5 of 7)		◀UNIT 01▶		
S259	PASSWORD (Actual Level 0)			????
S250		DELAY	EN-DIS	TYPE
S251	COMP 1A HIGH PRESSURE		ENABLE	ALM
S252	COMP 1A SHORT CYCLE		ENABLE	ALM
S253	COMP 1B HIGH PRESSURE		ENABLE	ALM
S254	COMP 1B SHORT CYCLE		ENABLE	ALM
S255	TANDEM 1 LOW PRESSURE		ENABLE	ALM
S256	TANDEM 1 PUMPDOWN FAIL		ENABLE	ALM
S257				
S258				
S259				
S260				
S261				

Comp 1A High Pressure - Enables or disables the Comp 1A High Pressure event, which occurs when the controls senses a high pressure signal from Compressor 1 A. Sets how the event is reported: as an alarm, a warning or a message. Specifies how long the control waits before reporting the event.

Comp 1A Short Cycle - Enables the Comp 1A Short Cycle event, which occurs when Compressor 1A turns On, Off, then back On 10 times within 1 hour. Sets how the event is reported: as an alarm, a warning or a message. Specifies how long the control waits before reporting the event.

Comp 1B High Pressure - Enables or disables the Comp 1B High Pressure event, which occurs when the controls senses a high pressure signal from Compressor 1 B. Sets how the event is reported: as an alarm, a warning or a message. Specifies how long the control waits before reporting the event.

Comp 1B Short Cycle - Enables or disables the Comp 1B Short Cycle event, which occurs when Compressor 1B turns On, Off, then back On 10 times within 1 hour. Sets how the event is reported: as an alarm, a warning or a message. Specifies how long the control waits before reporting the event.

Tandem 1 Low Pressure - Enables or disables the Tandem 1 Low Pressure event, which occurs when the low pressure switch for Tandem Compressor Bank 1 does not send the proper signal during normal operation or during pump down. Sets how the event is reported: as an alarm, a warning or a message. Specifies how long the control waits before reporting the event.

Tandem 1 Pumpdown Fail - Enables or disables the Tandem 1 Pumpdown event, which occurs when the Tandem Compressor Bank 1 suction pressure cannot be pumped down below the threshold during compressor shutdown. Sets how the event is reported: as an alarm, a warning or a message. Specifies how long the control waits before reporting the event.

Figure 6.37 Set Alarms, Page 6 of 7

SET ALARMS (page 6 of 7)		◀UNIT 01▶		
S262	PASSWORD (Actual Level 0)			????
S263		DELAY	EN-DIS	TYPE
S264	COMP 2A HIGH PRESSURE		ENABLE	ALM
S265	COMP 2A SHORT CYCLE	3	ENABLE	ALM
S266	COMP 2B HIGH PRESSURE	3	ENABLE	ALM
S267	COMP 2B SHORT CYCLE	5	ENABLE	ALM
S268	TANDEM 2 LOW PRESSURE	5	ENABLE	ALM
S269	TANDEM 2 PUMPDOWN FAIL	5	ENABLE	WRN
S270				
S271				
S272				
S273				
S274				

Comp 2A High Pressure - Enables or disables the Comp 2A High Pressure event, which occurs when the controls senses a high pressure signal from Compressor 2A. Sets how the event is reported: as an alarm, a warning or a message. Specifies how long the control waits before reporting the event.

Comp 2A Short Cycle - Enables or disables the Comp 1B Short Cycle event, which occurs when Compressor 1B turns On, Off, then back On 10 times within 1 hour. Sets how the event is reported: as an alarm, a warning or a message. Specifies how long the control waits before reporting the event.

Comp 2B High Pressure - Enables or disables the Comp 2B High Pressure event, which occurs when the controls senses a high pressure signal from Compressor 2B. Sets how the event is reported: as an alarm, a warning or a message. Specifies how long the control waits before reporting the event.

Comp 2B Short Cycle - Enables or disables the Comp 2B Short Cycle event, which occurs when Compressor 2B turns On, Off, then back On 10 times within 1 hour. Sets how the event is reported: as an alarm, a warning or a message. Specifies how long the control waits before reporting the event.

Tandem 2 Low Pressure - Enables or disables the Tandem 2 Low Pressure event, which occurs when the low pressure switch for Tandem Compressor Bank 2 does not send the proper signal during normal operation or during pump down. Sets how the event is reported: as an alarm, a warning or a message. Specifies how long the control waits before reporting the event.

Tandem 2 Pumpdown Fail - Enables or disables the Tandem 2 Pumpdown event, which occurs when the Tandem Compressor Bank 2 suction pressure cannot be pumped down below the threshold during compressor shutdown. Sets how the event is reported: as an alarm, a warning or a message. Specifies how long the control waits before reporting the event.

Figure 6.38 Set Alarms Page 7 of 7

SET ALARMS (page 7 of 7)		◀UNIT 01▶		
S275	PASSWORD (Actual Level 0)			????
S276		DELAY	EN-DIS	TYPE
S277				
S278	CONDENSATION DETECTED	3	ENABLE	ALM
S279	FAN FAILURE	3	ENABLE	ALM
S280	CUSTOMER INPUT 1	5	ENABLE	ALM
S281	SMOKE DETECTED	5	ENABLE	ALM
S282	WATER UNDER FLOOR	5	ENABLE	ALM
S283	UNIT X DISCONNECTED		ENABLE	WRN
S284	WORKING HRS EXCEEDED		ENABLE	WRN
S285	CALL SERVICE	5	ENABLE	ALM
S286	LOSS OF POWER		ENABLE	WRN
S287				

Condensation Detection - Enables or disables the Condensation Detected event, which occurs when water is detected at the Vertiv™ Liebert® XD cooling module. Sets how the event is reported: as an alarm, a warning or a message. Specifies how long the control waits before reporting the event.

Fan Failure - Enables or disables the Fan Failure event, which occurs when a fan failure occurs at the Liebert® XD cooling module. Sets how the event is reported: as an alarm, a warning or a message. Specifies how long the control waits before reporting the event.

Customer Input 1 - Enable or disables the Customer Input 1 event, which occurs when 24 VAC is applied to the input. Sets how the event is reported: as an alarm, a warning or a message. Specifies how long the control waits before reporting the event.

Smoke Detected - Enable or disables the Smoke Detected event, which occurs when the Customer Input 1 is configured for “Smoke Detected” and 24 VAC is applied to the input. Sets how the event is reported: as an alarm, a warning or a message. Specifies how long the control waits before reporting the event.

Water Under Floor - Enable or disables the Water Under Floor event, which occurs when the Customer Input 1 is configured for “Water Under Floor” and 24 VAC is applied to the input. Sets how the event is reported: as an alarm, a warning or a message. Specifies how long the control waits before reporting the event.

Unit X disconnected - Not currently used.

Working Hours Exceeded - Enables or disables the Working Hrs Exceeded event, which occurs when a component has exceeded the user-specified limit. Sets how the event is reported: as an alarm, a warning or a message. Specifies how long the control waits before reporting the event.

Call Service - Enable or disables the Call Service event, which occurs when the Customer Input 1 is configured for “Call Service” and 24 VAC is applied to the input. Sets how the event is reported: as an alarm, a warning or a message. Specifies how long the control waits before reporting the event.

Loss of Power - Enables or disables the Loss of Power event, which occurs when the unit is On and operational and the 24 VAC power to the control is lost. Sets how the event is reported: as an alarm, a warning or a message. Specifies how long the control waits before reporting the event.

Figure 6.39 Sensor/Calibration/Setup, Page 1 of 3

SENSOR CALIBRATION/SETUP (page 1 of 3)		◀UNIT 01▶
S601	PASSWORD (Actual Level 0)	????
S602	Temperature Sensor A	+0.0°F
S603	Calibrated Temperature Sensor A	70.3°F
S604	Humidity Sensor A	+0.0°F
S605	Calibrated Humidity Sensor A	38.3%
S606	Temperature Sensor B	+0.0°F
S607	Calibrated Temperature Sensor B	72.3°F
S608	Humidity Sensor B	+0.0°F
S609	Calibrated Humidity Sensor B	35.6%
S610		
S611		

◀▶ for next/previous unit ↵ to select parameter
 ↵ then ▶ to change parameter ↵ to confirm

Temperature Sensor A - Adjusts the temperature reading from the actual remote CAN Temp Humidity sensor designated as Sensor A to compensate for any error of the sensor or to match other sensors in the room.

Calibrated Temperature Sensor A - Displays the adjusted temperature value of the remote CAN Temp Humidity sensor designated as Sensor A. This value is the actual sensor reading plus or minus the offset Temperature Sensor A.

Humidity Sensor A - Adjusts the humidity reading from the actual remote CAN Temp Humidity sensor designated Sensor A to compensate for any error of the sensor or to match other sensors in the room.

Calibrated Humidity Sensor A - Displays the adjusted humidity value of the remote CAN Temp Humidity sensor designated as Sensor A. This value is the actual sensor reading plus or minus the offset Humidity Sensor A.

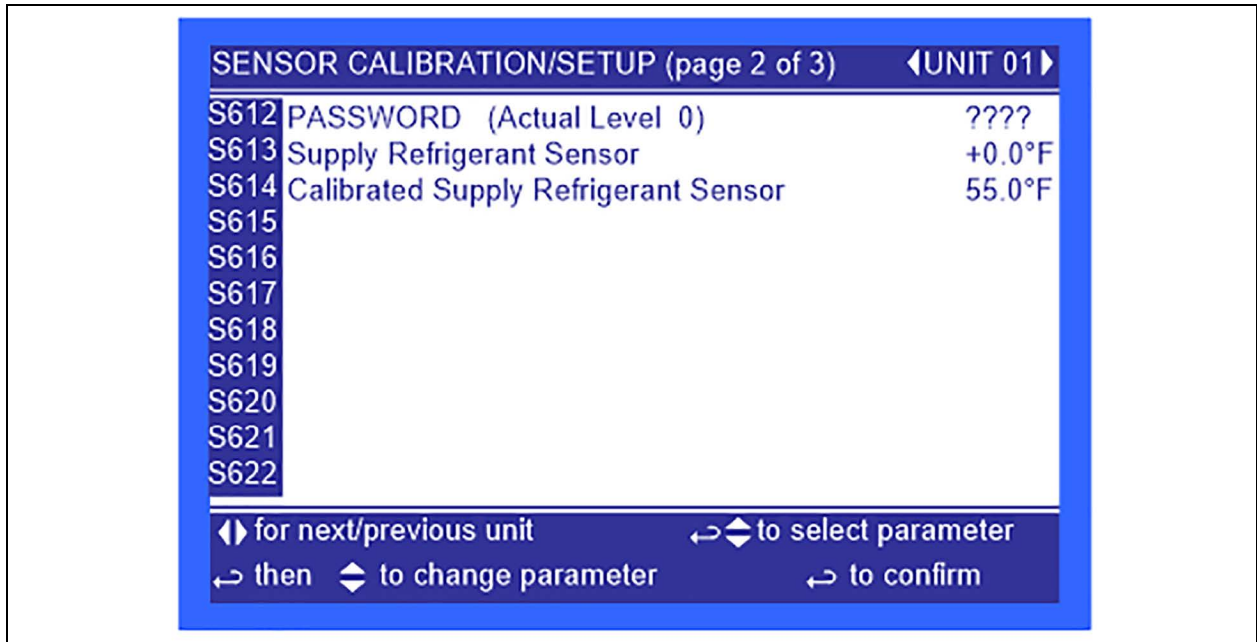
Temperature Sensor B - Adjusts the temperature reading from the actual remote CAN Temp Humidity sensor designated as Sensor B to compensate for any error of the sensor or to match other sensors in the room.

Calibrated Temperature Sensor B - Displays the adjusted temperature value of the remote CAN Temp Humidity sensor designated as Sensor B. This value is the actual sensor reading plus or minus the offset Temperature Sensor B.

Humidity Sensor B - Adjusts the humidity reading from the actual remote sensor designated Sensor B to compensate for any error of the sensor or to match other sensors in the room.

Calibrated Humidity Sensor B - Displays the adjusted humidity value of the remote CAN Temp Humidity sensor designated as Sensor B. This value is the actual sensor reading plus or minus the offset Humidity Sensor B.

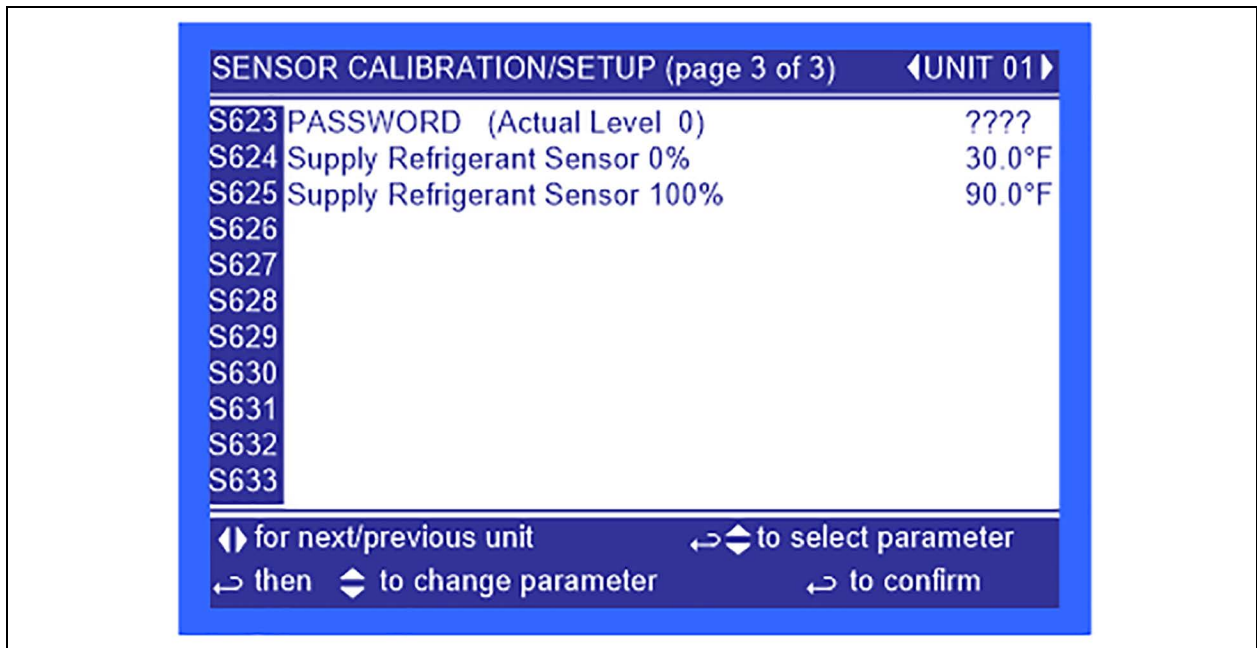
Figure 6.40 Sensor Calibration/Setup, Page 2 of 3



Supply Refrigerant Sensor - Adjusts the temperature reading from the actual supply refrigerant sensor to compensate for any error of the sensor.

Calibrated Supply Refrigerant Sensor - Displays the adjusted temperature value of the supply refrigerant sensor. This value is the actual sensor reading plus or minus the offset Supply Refrigerant Sensor.

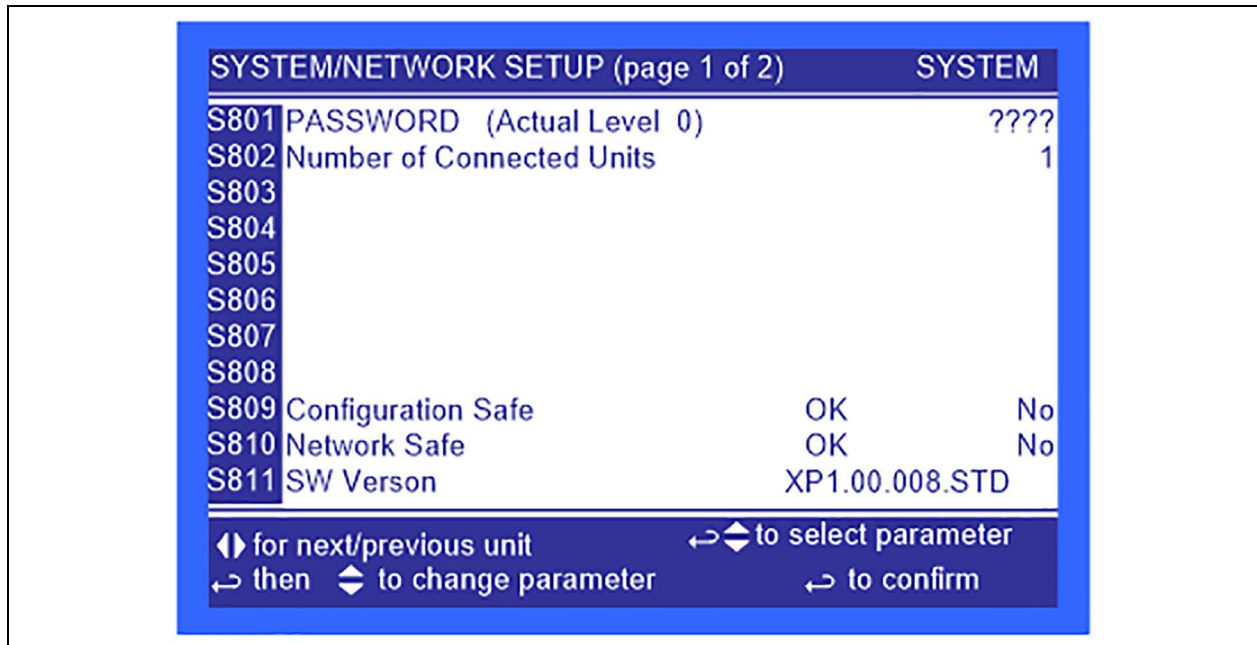
Figure 6.41 Sensor Calibration/Setup Page 3 of 3



Supply Refrigerant Sensor 0% - Allows the sensor reading to be calibrated at the lowest reading of the sensor. This calibration changes the start point of the sensor reading.

Supply Refrigerant Sensor 100% - Allows the sensor reading to be calibrated at the highest reading of the sensor. This calibration changes the end point of the sensor reading.

Figure 6.42 Network Setup Display—System/Network Setup, Page 1 of 2



NOTE: Liebert® XDC does not support Teamwork Mode or Standby - Lead/Lag operation.

Number of Connected Units - Shows the number of displays connected. This is always 1.

Configuration Safe - Saves or loads configuration settings for the display that have been modified from the factory defaults to an internal file that can be downloaded/uploaded using the Vertiv™ Liebert® iCOM™ Service Tool. Selecting Save will write the settings to the internal storage file and selecting Load will write the settings from the internal storage file to the application software. The internal file is updated automatically every 12 hours.

Network Safe - Saves or loads network settings for the display that have been modified from the factory defaults to an internal file that can be downloaded/uploaded using the Liebert® iCOM™ Service Tool. Selecting Save will write the settings to the internal storage file and selecting Load will write the settings from the internal storage file to the application software.

SW Version - Contains the application software version loaded onto the Liebert® iCOM™ display.

Figure 6.43 Network Setup Display—System/Network Setup, Page 2 of 2

SYSTEM/NETWORK SETUP (page 2 of 2)		SYSTEM
S812	PASSWORD (Actual Level 0)	????
S813	IP Address	192.168.254.003
S814	Netmask	255.255.255.000
S815	Gateway	0.000.000.000
S816	MAC	00:00:68:19:40:C7
S817	U2U Protocol	GBP
S818	U2U Address	33
S819	U2U Group	1
S820		
S821	Bootloader Variables	OK No
S822		

Attention: any changes done on these parameters must be followed by a 'Save+Reboot' command.

IP Address - Contains the network address of the display. This address must be unique on the network. The factory default is 192.168.254.003.

Netmask - Defines which part of the IP address is used for the network. The factory default is 255.255.255.000.

Gateway - A network point that acts as an entrance to another network. The factory default is 0.000.000.000.

MAC - A unique hardware identifier for the Ethernet device.

The following parameters (U2U Protocol, U2U Address, and U2U Group) are for displaying other networked Vertiv™ Liebert® XDCs. The Liebert® XDC does not perform Team Work Operations.

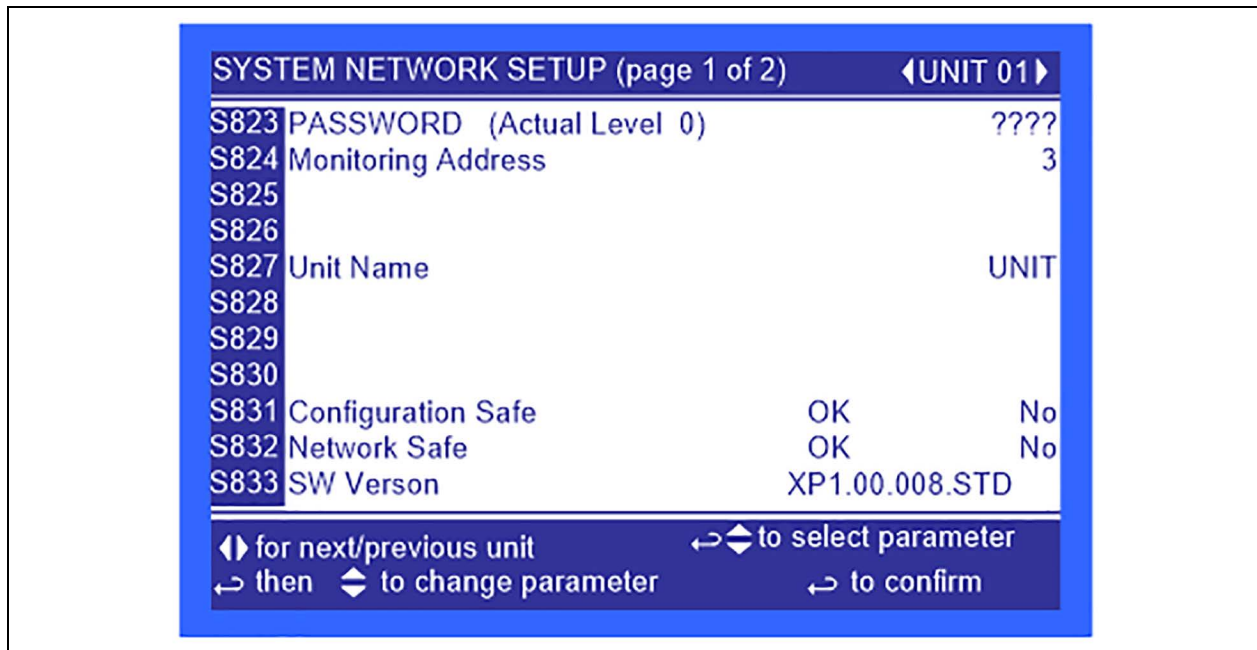
U2U Protocol - This is always set to GBP.

U2U Address - A unique identifier for each display on the network. Display addresses range from 33 to 64. Each display on the U2U network must have a different U2U address. Not currently used.

U2U Group - Used to create zones or groups within a U2U network. Once a group number is selected, the display will see only other devices with the same group number. The group number can be changed to view other devices in different groups. Not currently used.

Bootloader Variables - Indicates the bootloader has changed since it was last loaded. This parameter should only be activated by an authorized service person.

Figure 6.44 Network Setup Unit—System/Network Setup, Page 1 of 2



Monitoring Address - Sets the address used by Vertiv™ Liebert® IntelliSlot™ cards. This is set to 3 at the factory and should not be changed.

Unit Name - A label to identify the unit from the local or remote display. This label will show at the top right of every screen that has monitoring or configuration of that unit.

Configuration Safe - Saves or loads configuration settings for the control board that have been modified from the factory defaults to an internal file that can be downloaded/uploaded using the Vertiv™ Liebert® iCOM™ Service Tool. Selecting Save will write the settings to the internal storage file and selecting Load will write the settings from the internal storage file to the application software. The internal file is updated automatically every 12 hours.

Network Safe - Saves or loads network settings for the control board that have been modified from the factory defaults to an internal file that can be downloaded/uploaded using the Liebert® iCOM™ Service Tool. Selecting Save will write the settings to the internal storage file and selecting Load will write the settings from the internal storage file to the application software.

SW Version - Contains the application software version loaded onto the Liebert® iCOM™ control board.

Figure 6.45 Network Setup Unit—System/Network Setup, Page 2 of 2

SYSTEM/NETWORK SETUP (page 2 of 2)		SYSTEM
S812	PASSWORD (Actual Level 0)	????
S813	IP Address	192.168.254.003
S814	Netmask	255.255.255.000
S815	Gateway	0.000.000.000
S816	MAC	00:00:68:19:40:C7
S817	U2U Protocol	GBP
S818	U2U Address	33
S819	U2U Group	1
S820		
S821	Bootloader Variables	OK No
S822		

Attention: any changes done on these parameters must be followed by a 'Save+Reboot' command.

Monitoring Protocol - Selects the monitoring protocol. Velocity V4 is the factory default that will provide communications to the Vertiv™ Liebert® IntelliSlot™ housing. iGMNet will activate the 77/78 terminals for communication to the Vertiv™ Liebert® SiteLink(-E). Hironet is used only on HPM units.

IP Address - Contains the network address of the display. This address must be unique on the network. The factory default is 192.168.254.003.

Netmask - Defines which part of the IP address is used for the network. The factory default is 255.255.255.000.

Gateway - A network point that acts as an entrance to another network. The factory default is 0.000.000.000

MAC - A unique hardware identifier of the Ethernet device.

The following parameters - U2U Protocol, U2U Address, and U2U Group—are for displaying other networked Vertiv™ Liebert® XDCs. The Liebert® XDC does not perform Team Work operations.

U2U Protocol - Always set to GBP.

U2U Address - A unique identifier for each display on the network. Display addresses range from 1 to 32. Each display on the U2U network must have a different U2U address. Not currently used.

U2U Group - Used to create zones or groups within a U2U network. Once a group number is selected, the display will see only other devices with the same group number. The group number can be changed to view other devices in different groups. Not currently used.

Bootloader Variables - Indicates whether the bootloader has changed since it was last loaded. This parameter should be activated only by an authorized service person.

Static RAM - Allows service personnel to clear and reboot the control board's RAM. This should be performed only by Vertiv Service personnel.

Figure 6.46 Options Setup, Page 1 of 2

OPTIONS SETUP (page 1 of 2)		◀UNIT 01▶
S401	PASSWORD (Actual Level 0)	????
S402	Autorestart Enabled	Yes
S403	Single Unit Auto Restart	5sec
S404	Unit Start Sequence Delay	1sec
S405	Control Delay Time	1sec
S406	Pump Start Time Delay	10sec
S407	Pump Wait Time Delay	10sec
S408	Pump Off Time Delay	5sec
S409	Lead Pump	1
S410	Pump Short Cycle Delay	30min
S411		

◀▶ for next/previous unit	↔ to select parameter
↔ then ⬆ to change parameter	↔ to confirm

Autorestart Enabled - Restarts the unit after a power cycle when set to Yes. When this parameter is set to No, the unit will not restart after a power cycle.

Single Unit Auto Restart - Sets a time delay for the unit to restart when the Auto Restart Enabled is set to Yes. The delay begins once the boot process has completed. This parameter allows units to be staggered On to reduce the amount of simultaneous power consumption after a loss of power.

Unit Start Sequence Delay - Not currently used.

Control Delay Time - Not currently used.

Pump Start Time Delay - Sets a time delay to ensure that refrigerant begins flowing when the pump starts. If refrigerant does not begin flowing before the user-set delay expires, the pump will be turned Off.

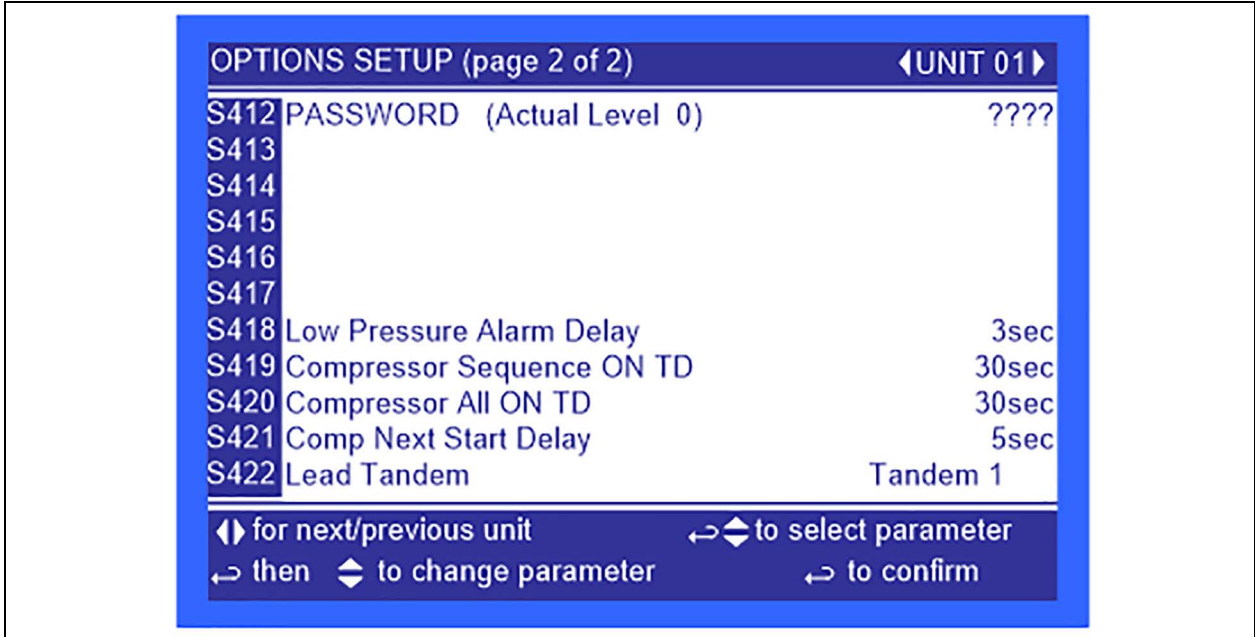
Pump Wait Time Delay - Sets the pump wait time delay to prevent the pump from continuing to run when refrigerant is not flowing. If a pump is running normally and refrigerant flow is lost, the pump will stay On for the specified time trying to re-establish refrigerant flow. If refrigerant flow resumes during the specified interval, the pump will continue operating. If the wait time expires and refrigerant flow has not resumed, the pump will shut down.

Pump Off Time Delay - Sets the length of time a pump will remain off when refrigerant flow is interrupted or stops. After the time delay has expired, the control will try to restart the pump.

Lead Pump - Sets which pump is the active pump. It can be set to PUMP 1 or PUMP 2. The control will operate the respective pump unless a loss of flow condition occurs. On a LOSS OF FLOW condition, the control will switch to the standby pump after the LOSS OF FLOW alarm time delay has elapsed and the LOSS OF FLOW alarm has been annunciated. The default is PUMP 1.

Pump Short Cycle Delay - Sets the time to lock off the unit if it is unable to establish refrigerant flow within this set amount of time.

Figure 6.47 Options Setup, Page 2 of 2



Low Pressure Alarm Delay - Sets how long a Low Pressure alarm will be delayed when any compressor starts. This is also known as the Winter Start Delay Timer.

Compressor Sequence ON TD - Sets the time delay between each compressor’s activation during start-up.

Compressor All ON TD - Sets the time delay for all compressors to continue to run once all four compressors have started during the start-up sequence.

Comp Next Start Delay - Sets the time delay between each compressor’s activation during normal operation.

Lead Tandem - Sets the lead tandem compressor bank when the unit is activated. Can be set for Tandem 1 or Tandem 2.

Figure 6.48 Module Setup, Page 1 of 20

MODULE SETUP (page 1 of 20)		◀UNIT 01▶		
S901	PASSWORD (Actual Level 0)			????
S902	NODE ID 81	DELAY	EN-DIS	TYPE
S903	CONDENSATION DETECTED	15	ENABLE	
S904	LOCAL MODULE SHUTDOWN	15	ENABLE	ALM
S905	SENSOR FAILURE	30	ENABLE	ALM
S906	FAN FAILURE	30	ENABLE	ALM
S907	FAN CONTROL MODE		OFF	
S908	DISABLE LOCAL BUTTON		NO	
S909	FLASH LED AT MODULE		NO	
S910	SET MODULE LABEL	A Z	81	
S911	SUPPLY AIR TEMP LIMITS	High 80	Low 50	°F
S912	RETURN AIR TEMP LIMITS	High 120	Low 60	°F
S913	FIRMWARE VERSION			999.99.999

This screen selects the operation of an active alarm for each smart module. Each event can be enabled or disabled and can be set to operate as an alarm, a warning or a message. The delay is the time the control waits before reporting the event.

Alarm: Annunciates the buzzer, triggers a monitoring event, triggers the alarm relay, and flashes the red LED on the display.

Warning: Annunciates the buzzer, triggers a monitoring event, shows the event in the event viewer/front display, and flashes the red LED on the display.

Message: Shows the event in the event viewer and on the front display.

Fan Control Mode - Sets the fan control mode. Values can be Off, On, On All and Temp Cntl.

Disable Local Button - Disables the push button on the front of the smart module. To disable the push button, set the parameter to Yes. To re-enable the push button, set the parameter to No.

Flash LED at Module - Flashes the LED on the smart module when set to Yes.

Set Module Label - A four-character label consisting of two letters and two numerals. This is the standard nomenclature for Data Center Grid assignment of racks. Additionally, the module location can be denoted with 10 characters, either letters or non-alphanumeric characters from a built-in list. Either or both labels can be used and are entered using this screen.

Supply Air Temp Limit - Sets the high and low supply air temperature to and from the module. An alarm will occur if the temperature falls outside the limits.

Return Air Temp Limit - Sets the high and low return air temperature to and from the module. An alarm will occur if the temperature falls outside the limits.

Firmware Version - Displays the firmware version installed on the smart module.

This page intentionally left blank

7 Start the Vertiv™ Liebert® XDC with Vertiv™ Liebert® iCOM™

7.1 Checklist for Liebert® XDC Startup



CAUTION: Risk of piping and component rupture. Can cause injury or equipment damage. Closing service valves may isolate liquid refrigerant, causing high pressure and rupture of piping. Do not close valves without following recommended procedures for repair, maintenance, and replacement of components. Install pressure relief valves in field piping that may become isolated by service valves.

NOTICE

Risk of unintended pump start. Can cause equipment damage.

Do not install the pump fuses for 60 Hz until the system is fully charged with refrigerant. Do not remove the locking mechanisms from 50 Hz circuit breakers or place in the On position until the system is fully charged with refrigerant. Operating the pumps without a full refrigerant charge can result in equipment damage.

NOTE: Before any action that could cause a disturbance in the Vertiv™ Liebert® XD system's cooling function is begun, the facility manager **MUST** be informed. In addition, after the action is taken and the work is finished, the facility manager **MUST** be informed.

1. Verify that bypass flow controllers were installed (if applicable), see **Table 4.4** on page 36.
2. Check all isolation ball valves in the Liebert® XDC and Liebert® XD cooling module and verify that all are open.
3. Check rotation of Liebert® XDC pumps. Rotation should be counterclockwise and in the same direction as the arrow. See **Figure 7.1** below for arrow location on the pump.

Figure 7.1 Liebert® XDC Pump Rotation Determination



4. Check rotation of fans on Liebert® XD cooling modules.
5. Verify that air is being discharged in the “cold aisle.”
6. Check rotation of fans on condenser(s) of Vertiv™ Liebert® XDC (air-cooled units only)—Verify that air is being discharged out to the atmosphere.
7. Confirm that the total calculated refrigerant R-134a amount has been properly charged into the system (see [Filling the Pumped Circuit—R-134a](#) on page 40).
8. Confirm that the total calculated refrigerant R-407C amount has been properly charged into the system ([Filling the Direct Expansion \(DX\) Circuit—R-407C](#) on page 52).
9. Confirm that the remote temperature/humidity sensor provided has been installed in the correct location.

The correct location is near the return side of a main air mover such as a Vertiv™ Liebert® DS. If more than one Liebert® XDC is installed, use a different location for each remote sensor for best temperature/humidity calculation.

The Liebert® XDC system is now ready to be turned On.

1. Turn the Liebert® XDC On via the user interface (I/O button). The factory setting defaults Liebert® XD module fans to On. When the unit is turned On, the module fans will turn On. Allow the system to attempt to start for at least 2 minutes.

If the Liebert® XDC pump cannot maintain flow and continues to switch over due to starting difficulties, proceed to step 3, check pressure differential functionality, and refer to [Troubleshooting](#) on page 115 .

2. If constant flow is established, wait until the Liebert® XDC has been operating 10-15 minutes, then verify that the refrigerant level in the receiver sight glass is between the second and third level (see **Figure 7.2** on the facing page). Add or remove charge as indicated by sight glass level.
3. Check pressure differential functionality:

The Liebert® XDC system should be On. If it is Off:

- a. Turn the Liebert® XDC On via user interface (I/O button). The factory setting defaults Liebert® XD module fans to On. When the unit is turned On, the modules fans will turn On.

If there is no Loss of Flow alarm present - This suggests that there is flow. Test the pressure differential by closing the ball valve on either the suction line or discharge line to stop the flow.

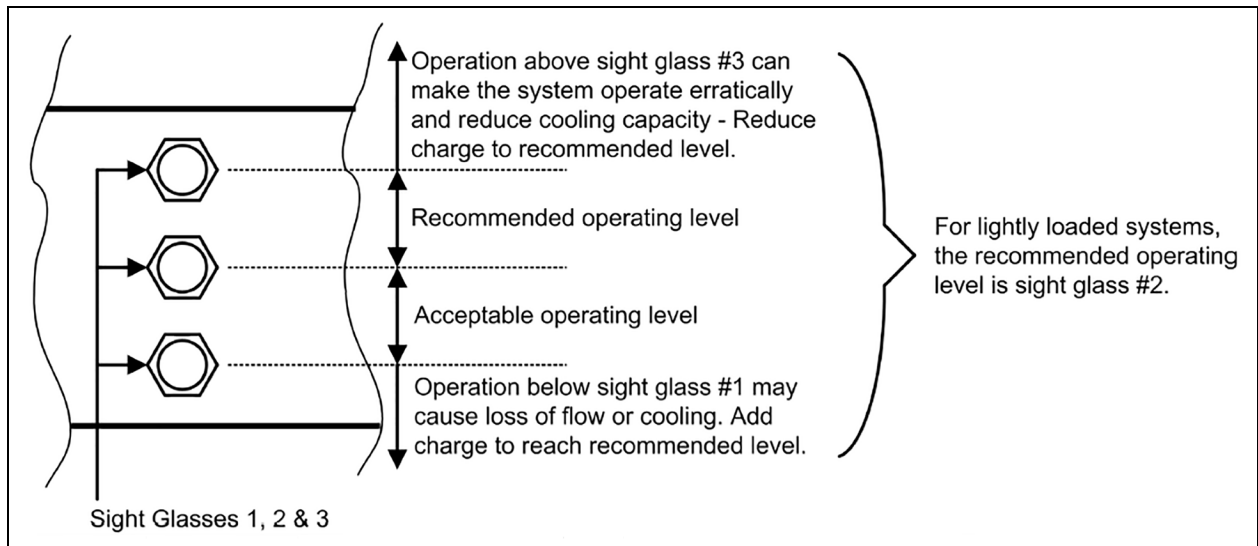
This should prompt an alarm for loss of flow on P1. This alarm confirms that the switch has opened on low pressure (below 6 psi; 41 kPa; 0.41 bars).

If there is a Loss of Flow alarm present - This suggests that there is no flow. Verify that this is correctly annunciated by looking at the sight glass in the receiver. If a true no-flow condition exists, the level will not move.

However, if there is flow, but the differential reading is faulty, the level will slowly drop indicating flow, while the loss of flow alarm is annunciated.

Check the pressure differential physically by making sure that the electrical connections are properly connected. Then check the pressure differential electrically by making sure that the unit has 24 VAC across it.

Figure 7.2 System R-134a Liquid Level



This page intentionally left blank

8 Alarm Descriptions and Solutions

8.1 Alarm Descriptions

NOTE: Alarms must be acknowledged before they can be reset. To acknowledge or silence an alarm, press the ALARM key one time. This will silence the alarm; the red LED will remain illuminated until the alarm is reset.

- **CALL SERVICE** - Activated when Customer Input 1 is configured for Call Service and 24 VAC is applied to the input. This alarm is reset when the 24 VAC is removed.
- **COMP 1A HIGH PRESSURE** - Activated when the control senses a high head pressure signal from Compressor 1A. This alarm will reset when the main power is cycled or the HP 1A Alarm Code variable in the Service Diagnostics menu is reset to 0.
- **COMP 1B HIGH PRESSURE** - Activated when the control senses a high head pressure signal from Compressor 1B. This alarm will reset when the main power is cycled or the HP 1B Alarm Code variable in the Service Diagnostics menu is reset to 0.
- **COMP 2A HIGH PRESSURE** - Activated when the control senses a high head pressure signal from Compressor 2A. This alarm will reset when the control power is cycled or the HP 2A Alarm Code variable in the Service Diagnostics menu is reset to 0.
- **COMP 2B HIGH PRESSURE** - Activated when the control senses a high head pressure signal from Compressor 2B by the control. This alarm will reset when the main power is cycled or the HP 2B Alarm Code variable in the Service Diagnostics menu is reset to 0.
- **COMP 1A SHORT CYCLE** - Activated when Compressor 1A turns On, Off, then back On, 10 times within 1 hour. The alarm will reset itself when the control turns Compressor 1A On, then Off fewer than 10 times within 1 hour of operating time for 1.5 hours.
- **COMP 1B SHORT CYCLE** - Activated when Compressor 1B turns On, Off, then back On, 10 times within 1 hour. The alarm will reset itself when the control turns Compressor 1B On, then Off fewer than 10 times within 1 hour of operating time for 1.5 hours.
- **COMP 2A SHORT CYCLE** - Activated when Compressor 2A turns On, Off, then back On, five times within 10 minutes or 10 times within 1 hour. The alarm will reset itself when the control turns Compressor 2A On, then Off fewer than 10 times within 1 hour of operating time for 1.5 hours.
- **COMP 2B SHORT CYCLE** - Activated when Compressor 2B turns On, Off, then back On, five times within 10 minutes or 10 times within 1 hour. The alarm will reset itself when the control turns Compressor 2B On, then Off fewer than 10 times within 1 hour of operating time for 1.5 hours.
- **COMPRESSOR(S) LOCKOUT** - Activated when Customer Input 1 is configured for Comp Lock PD and 24 VAC is applied to the input. This alarm is reset when the 24 VAC is removed.
- **CONDENSATION DETECTED (optional)** - Activated when water is detected at a cooling module. A 24 VAC signal is applied to the condensation input on the control board using a twisted pair of wires or the alarm is sent via CANbus communication. When this alarm is active, the control will raise its refrigerant control point by 4°F (2.2°C). This alarm will reset when the alarm is acknowledged and the signal stops being sent from CANbus or condensation input. The alarm can also be reset by cycling the power. The main power must be cycled to remove the 4°F (2.2°C) offset.
- **CUSTOMER INPUT 1** - Activated when a 24 VAC signal is applied to the customer alarm input on the control board. This alarm will reset when the 24 VAC signal stops being sent from the customer alarm input. WATER UNDER FLOOR, SMOKE DETECTED, CALL SERVICE and COMP LOCK PD are possible designations for this alarm; they are set with the Unit Code.

- **FAN FAILURE (optional)** - Activated when a 24 VAC signal is applied to the fan failure input on the control board using a twisted pair of wires or the alarm is sent via CANbus communication. This alarm will reset when the alarms is acknowledged and the signal stops being sent from CANbus or fan failure input. The alarm can also be reset by cycling the power.
- **HIGH DEW POINT** - Activates when the calculated dew point at either Sensor A or B exceeds the user-specified alarm setpoint. The alarm will reset when the calculated room dew point from both Sensor A and Sensor B is 2°F (1.1°C) below the setpoint and the alarm has been acknowledged.
- **HIGH REFRIGERANT TEMP** - Activated when the refrigerant temperature sensor reads the refrigerant temperature above the user-specified alarm setpoint. This alarm will reset when the reading from the refrigerant temperature sensor drops 2°F (1.1°C) below the user-specified setpoint and the alarm has been acknowledged.
- **HIGH TEMP SENSOR A** - Activated when the reading from Sensor A is above the user-specified alarm setpoint. The alarm will reset when the reading from Sensor A drops 2°F (1.1°C) below the setpoint and the alarm has been acknowledged.
- **HIGH TEMP SENSOR B** - Activated when the reading from Sensor B is above the user-specified alarm setpoint. The alarm will reset when the reading from Sensor B drops 2°F (1.1°C) below the setpoint and the alarm has been acknowledged.
- **LOSS OF FLOW PUMP 1** - Activated when Pump 1 is commanded to run and the differential pressure switch does not sense differential pressure (set at 6 psi; 41 kPa; 0.41 bars). After attempting to start Pump 1 three times, the Vertiv™ Liebert® XDC will automatically switch to the other pump to establish flow. This alarm will reset when flow has been established on Pump 1 and the alarm has been acknowledged.
- **LOSS OF FLOW PUMP 2** - Activated when Pump 2 is commanded to run and the differential pressure switch does not sense differential pressure (set at 6 psi; 41 kPa; 0.41 bars). After attempting to start Pump 2 three times, the Liebert® XDC will automatically switch to the other pump to establish flow. This alarm will reset when flow has been established on Pump 2 and the alarm has been acknowledged.
- **LOW MEMORY** - Activated when the control board is low in memory resources. This alarm rests automatically as soon as memory consumption falls below the threshold.
- **LOW REFRIGERANT TEMP** - Activated when the supply refrigerant temperature sensor temperature reading drops below the higher of the two calculated dew points, assuming that neither Sensor A or Sensor B has a sensor failure alarm. This alarm will reset when the refrigerant temperature sensor reads the refrigerant temperature above both of the two calculated dew points and the alarm has been acknowledged. This alarm can lock the unit Off. If this occurs, the main power must be cycled, or the Low Refrig Temp Alarm Code in the Service Diagnostics menu must be reset to 0.
- **LOW TEMP SENSOR A** - Activates when the reading from Sensor A drops below the user-specified alarm setpoint. The alarm will reset when the reading from Sensor A rises 2°F (1.1°C) above the setpoint and the alarm has been acknowledged.
- **LOW TEMP SENSOR B** - Activates when the reading from Sensor B drops below the user-specified alarm setpoint. The alarm will reset when the reading from Sensor B rises 2°F (1.1°C) above the setpoint and the alarm has been acknowledged.
- **NODEX CONDENSATION DETEC** - Activated when condensation is detected on a smart module at CAN node ID X, where X is a value ranging from 81 to 100. This alarm resets when condensate is no longer detected. The main power must be cycled off to remove the 4°F (2.2°C) offset value.
- **NODEX FAN FAILURE** - Activated when a fan failure occurs on a smart module at CAN node ID X, where X is a value ranging from 81 to 100. The alarm will rest when the fan returns to normal operation.
- **NODEX LOCAL SHUT DOWN** - Activated when a smart module at CAN node ID X, where X is a value ranging from 81 to 100, has been shut down by an external signal. This alarm will reset when the remote shutdown input is deactivated.

- **NODEX RETURNAIR TEMPLIMIT** - Activated when the return air temperature (entering air temperature to the module) exceeds the user-specified return air temperature range on a smart module at CAN node ID X, where X is a value ranging from 81 to 100. This alarm will reset when the return air temperature returns to within the user-specified range.
- **NODEX SENSOR FAILURE** - Activated when a smart module at CAN node ID X, where X is a value ranging from 81 to 100, stops receiving a signal from one or more of its supply air, return air, or refrigerant temperature sensors. This alarm will reset when signals are detected from the module's sensors.
- **NODEX SUPPLYAIR TEMPLIMIT** - Activated when the supply air temperature (temperature of the air leaving the module) exceeds the user-specified supply air temperature range on a smart module at CAN node ID X, where X is a value ranging from 81 to 100. This alarm will reset when the return air temperature returns to within the user-specified range.
- **PUMP SHORT CYCLE** - Activated when the Vertiv™ Liebert® XDC is trying to establish flow (differential pressure) and is unable to do so. The Liebert® XDC will attempt three times to establish flow on a pump before trying the other pump. The control will keep cycling three times on one pump, then three times on the other pump until it is able to establish flow (differential pressure). If this cycling occurs for 30 minutes and the Liebert® XDC still does not establish flow, a PUMP SHORT CYCLE alarm will be present. This alarm will shut down the Liebert® XDC. To reset this alarm, the main power must be cycled.
- **RAM/BATTERY FAIL** - Activated when the RAM backup battery or the RAM itself has failed. This requires a hardware replacement.
- **SENSOR A FAILURE** - Activated when the controls no longer senses a signal from Sensor A. This alarm will reset when the signal is returned and the alarms has been acknowledged.
- **SENSOR B FAILURE** - Activated when the controls no longer senses a signal from Sensor B. This alarm will reset when the signal is returned and the alarm has been acknowledged.
- **SMOKE DETECTED** - Activated when the Customer Input 1 is configured for Smoke and 24 VAC is applied to the input. This alarm is reset when the 24 VAC is removed.

NOTE: This is not a room smoke detector and is not intended to replace external smoke detectors.

- **SUPPLY REFRIGERANT SENSOR FAILURE** - Activated when the control no longer senses a signal from the supply refrigerant sensor. This alarm will reset when the signal is returned.
- **TANDEM BANK 1 LP** - Activated when the low pressure switch for Tandem Compressor Bank 1 doesn't send the proper signal during normal operation, or during pump down. This alarm will reset when the main power is cycled or the Tandem Bank 1 LP Code variable in the Service Diagnostics menu is reset to 0.
- **TANDEM BANK 2 LP** - Activated when the low pressure switch for Tandem Compressor Bank 2 doesn't send the proper signal during normal operation, or during pump down. This alarm will reset when the main power is cycled or the Tandem Bank 2 LP Code variable in the Service Diagnostics menu is reset to 0.
- **TANDEM BANK 1 PD** - Activated when Tandem Compressor Bank 1 suction pressure cannot be pumped down below the threshold during compressor shutdown. This alarm will reset when the main power is cycled or the Tandem Bank 1 PD Alarm Code variable in the Service Diagnostics menu is reset to 0.
- **TANDEM BANK 2 PD** - Activated when Tandem Compressor Bank 2 suction pressure cannot be pumped down below the threshold during compressor shutdown. This alarm will reset when the main power is cycled or the Tandem Bank 2 PD Alarm Code variable in the Service Diagnostics menu is reset to 0.
- **UNIT CODE MISSING** - Activated when a valid unit code has not been entered and saved. To reset, enter valid unit code, save, and execute.
- **WATER UNDER FLOOR** - Activated when Customer Input 1 is configured for Water Alarm and 24 VAC is applied to the input. This alarm is reset when the 24 VAC is removed.

8.2 Warning Descriptions

- **COMPRESSOR 1A HRS EXCEED** - Activated when the Compressor 1A Actual Hours exceeds the user-specified limit. To reset, Actual Hours must be reset to 0.
- **COMPRESSOR 1B HRS EXCEED** - Activated when the Compressor 1B Actual Hours exceeds the user-specified limit. To reset, Actual Hours must be reset to 0.
- **COMPRESSOR 2A HRS EXCEED** - Activated when the Compressor 2A Actual Hours exceeds the user-specified limit. To reset, Actual Hours must be reset to 0.
- **COMPRESSOR 2B HRS EXCEED** - Activated when the Compressor 2B Actual Hours exceeds the user-specified limit. To reset, Actual Hours must be reset to 0.
- **PUMP 1 HRS EXCEED** - Activated when the Pump 1 Actual Hours exceeds the user-specified limit. To reset, Actual Hours must be reset to 0.
- **PUMP 2 HRS EXCEED** - Activated when the Pump 2 Actual Hours exceeds the user-specified limit. To reset, Actual Hours must be reset to 0.
- **LOSS OF POWER** - Activated when the unit is On and operational and 24 VAC power to the control is lost. This alarm will be emitted when power is restored to the control. The Vertiv™ Liebert® XDC will restart at a user-defined time delay after power is restored. Once activated, the alarm will remain activated for 30 minutes.

8.3 System Shutdown Causes

Unit is Off by Refrig Sens Fail

The control has lost its signal from the refrigerant temperature sensor. The control has no way of controlling the refrigerant temperature, so the unit is shut off. Main power (disconnect switch) must be turned Off, then back On to clear this alarm.

Unit is Off by Pump Short Cycle

The control was unable to get a pump started upon start-up or after a loss of differential pressure. The control looks at the SHORT CYCLE time delay. If it cannot establish differential pressure within that amount of time, the unit is shut down. Main power (disconnect switch) must be turned Off, then back On to clear this alarm.

Unit is Off by Low Refrig Temp

The control was unable to raise the refrigerant temperature to the calculated refrigerant temperature control point. The unit is shut down because if the control cannot raise the refrigerant temperature to the calculated refrigerant temperature control point, water may condense on the refrigerant piping and receiving coils. Main power (disconnect switch) must be turned Off, then back On to clear this alarm.

9 Troubleshooting

Table 9.1 Vertiv™ Liebert® XDC Troubleshooting

Symptom	Possible Cause	Check or Remedy
Pump/compressor will not energize	No main power	Check L1, L2, and L3 for rated voltage.
	Loose electrical connections	Tighten connections.
	Overloads tripped	Allow pump to cool. Check amp draw.
	Tripped circuit breaker	Check circuit breaker to pump(s).
	Incorrect phase wiring	See Checklist for Liebert® XDC Startup on page 107 .
Pump will not run	Isolation valve(s) on pump suction and/or discharge is closed.	Open all isolation valves completely during normal operation.
	Liebert® XD cooling modules are Off.	Check Liebert® XD cooling modules to make sure that they are On prior to starting the Liebert® XDC.
	Low Refrigerant Temperature (high dew point)	Check alarm(s) history on Liebert® XDC. The Liebert® XDC was operating below the dew point for a significant amount of time. Check humidity in conditioned space; lower humidity if necessary to allow Liebert® XDC to operate at a lower temperature. (Disconnect must be switched to Off then back to On to allow Liebert® XDC to reset.)
	Incorrect location of temperature humidity sensors	Place the sensor on the return air side of the primary air mover (I.e., Liebert® Deluxe System 3). Do not install the sensor near unsealed doors, windows, and similar areas.
	Pressure switch not making contact	Check both differential pressure settings. If not within 6 psi, ±1 psi (41 kPa, ±7 kPa; 0.41 bars, ±0.07 bars) then manually change accordingly.
	Not enough charge	See Filling the Direct Expansion (DX) Circuit—R-407C on page 52 .
Pump Noisy	Cavitation due to vapor in pump	Check for adequate charge in system, refer to the user manual. See Filling the Direct Expansion (DX) Circuit—R-407C on page 52 .
	Pump is rotating in reverse	See Checklist for Liebert® XDC Startup on page 107 .
	Worn motor bearings	Replace pump
Liebert® XDC (Pump) suddenly stops	Low Refrigerant Temperature (high dew point)	Check humidity of room along with location of remote sensors. Make sure that the sensors are not located in a cold area where there is a lack of sufficient air flow.
	Loss of power	When power is restored, the Liebert® XDC will automatically restart.
	Clogged filter/dryer and/or impeller	Clean out debris.
	Leak in system - loss of charge	Check the entire system for leaks with a refrigerant sniffer. Repair as necessary.

Table 9.1 Vertiv™ Liebert® XDC Troubleshooting (continued)

Symptom	Possible Cause	Check or Remedy
Room becomes too cold	Lack of load in the room	If there is no cooling required, turn the Liebert® XDC off at the I/O button.
	Minimum room temperature setpoint is too low.	Check the setpoint in the User Setpoints menu (see Figure 6.7 on page 66).
	Incorrect location of temperature/humidity sensors.	Place the sensor on the return air side of the primary air mover (i.e., Liebert® Deluxe System 3). Do not install the sensor near unsealed doors, windows, and similar areas.
Motor burnout	Check control panel for welded contactor contacts or welded overload contacts.	Replace defective components.
Main 24 VAC fuse trips	Shorts or loose connections	Check the wiring connections of the 24 VAC circuit.
	Faulty circuit board	Replace the circuit board.
Unstable pump operation	R-134a pump loop is overcharged	While pump is running R-134a, receiver level must be within recommended levels (see Checklist for Liebert® XDC Startup on page 107).
Room becomes too warm	Liebert® XDC is off.	Check status of the Liebert® XDC at the user interface. Turn system On at I/O button if system is Off.
	High dew point	Check temperature and relative humidity (RH) of room. Lower RH setpoint if necessary to lower dew point. At normal room temperature of 68°F (20°C), the RH should be set to 50% or lower.
	Liebert® XD cooling modules are Off.	Check Liebert® XD cooling modules to make sure that they are On before starting the Liebert® XDC.
	Minimum room temperature setpoint is too high.	Check the setpoint in the User Setpoints menu (see Setpoints, Page 1 of 2 on page 66).
	Incorrect location of temperature/humidity sensors	Place the sensor on the return air side of the primary air mover (i.e., Liebert® DS). Do not install the sensor near unsealed doors, windows, and similar areas.
Pipe rattle	Loose pipe connections	Check pipe connections.
Actuator motors (if applicable)	No 24 VAC power to motor	Check for 24 VAC between P2-1 and P2-4.
	No signal from control	Check 24 VAC at P22-1 (close) or P22-3 (close).
	Motor not operating	Unplug P22 completely off of the board. Jumper P22-5 to P2-4 for grounding, then jumper P22-1 to P2-1 to drive close. Remove jumper to close, and then jumper P22-3 to P2-1 to drive open. If motor fails to work, replace it.

10 Maintenance

The Vertiv™ Liebert® XD system components require little maintenance when proper fluid levels are maintained and proper start-up and operation procedures are followed. The following tasks should be performed at the intervals stated:

1. Check sight glass level of receiver on all circuits every four to six weeks. During normal operation, the level should be at or above the first sight glass.
2. Check system for leaks every four to six weeks.

10.1 Fluorinated Greenhouse Gas Requirements

Stationary air conditioning, refrigeration, heat pump equipment, and stationary fire protection systems in the European Community market and operating with fluorinated greenhouse gases (f-gas), such as R407C, R134a, R410A, must comply with the F-Gas Regulation: (EC) No. 842/2006 (F-gas). The regulation prohibits, among other actions, venting fluorinated greenhouse gases into the atmosphere.

The F-Gas Regulation requires operators to use all measures that are technically feasible and do not entail disproportionate cost to prevent leakage of these gases, to test for leakage regularly, and to recover f-gas during equipment service and maintenance and before disposing of equipment.

Refer to the full regulation for additional details.

10.2 Compressor Maintenance



WARNING! Risk of over-pressurization of the refrigeration system. Can cause explosive discharge of high pressure refrigerant, loss of refrigerant, environmental pollution, equipment damage, injury or death. This unit contains fluids and gases under high pressure. Use extreme caution when charging the refrigerant system. Do not pressurize the system higher than the design pressure marked on the unit's nameplate. Local building or plumbing codes may require installing a fusible plug or other type of pressure-relief device in the system.

10.2.1 Compressor Oil

NOTICE

Risk of improper compressor lubrication. Can cause compressor and refrigerant system damage.

Failure to use oil types, viscosities and quantities recommended by the compressor manufacturer may reduce compressor life and void the compressor warranty.

See oil types specified in **Table 10.1** on the next page .

- Do not mix polyolester (POE) and mineral-based oils.
- Do not mix oils of different viscosities.
- Consult Vertiv technical support or the compressor manufacturer if questions arise.

Table 10.1 Compressor Oil Types for R-410A Refrigerant

Compressor Type	Oil Type
Copeland Scroll and Digital Scroll	POE Oil - ISO 32 Centistoke Viscosity ¹
1. Use Copeland POE Oil ULTRA 32-3MAF or other Copeland-approved oils. Source: DPN003950, Rev. 6	

NOTE: See [Table 4.17](#) on page 55, for additional oil based on the system's refrigerant charge.

10.2.2 Compressor Maintenance

Hermetic scroll and digital scroll compressors do not have an oil sight glass.

NOTE: Refer to [Additional Oil Requirements for Scroll and Digital Scroll Compressors](#) on page 54, for approved oil types and additional oil required based on the system's refrigerant charge.

10.2.3 Replacement Compressors

Replacement compressors are available through your Vertiv sales office. If the unit is under warranty, the replacement compressor must be obtained from and the original compressor returned to your local Vertiv sales office. Compressors are shipped in reusable packaging, and the original compressor should be returned in the same packaging.

10.2.4 Compressor Electrical Failure (Motor Burnout)

If a burnout has occurred, a full system clean-out is required. If not cleaned, compressor and system problems will continue.

Consult the factory for compressor maintenance. Do not attempt to remove the compressor without first contacting Vertiv Support at 1-800-543-2778.

10.2.5 Replacing a Compressor with Electrical Failure (Motor Burnout)



WARNING! Risk of electric shock. Can cause serious injury or death. Building and equipment damage may also result. Open all local and remote electric power supply disconnect switches and verify that power is off with a voltmeter before working within any electric connection enclosures. The Vertiv™ Liebert® iCOM™ controller does not isolate power from the unit, even in the "Unit Off" mode. Some internal components require and receive power even during the "unit off" mode of the Liebert® iCOM™ controller.

Installation, service, and maintenance work must be performed only by properly trained and qualified personnel and in accordance with applicable regulations and manufacturers' specifications. Opening or removing the covers to any equipment may expose personnel to lethal voltages within the unit even when it is apparently not operating and the input wiring is disconnected from the electrical source.



WARNING! Risk of overpressurization of the refrigeration system. Can cause explosive discharge of high pressure refrigerant, loss of refrigerant, environmental pollution, equipment damage, injury or death. This unit contains fluids and gases under high pressure. Use extreme caution when charging the refrigerant system. Do not pressurize the system higher than the design pressure marked on the unit's nameplate. Local building or plumbing codes may require installing a fusible plug or other type of pressure-relief device in the system.

NOTE: Release of refrigerant into the atmosphere is harmful to the environment. Refrigerant must be recycled or discarded in accordance with federal, state, and local regulations.

1. Attach suction and discharge gauges to access fittings.
2. Front-seat service valves to isolate the compressor. Recover refrigerant using an approved recovery procedure and equipment. Use a filter drier when charging the system with recovered refrigerant.
3. Disconnect all electrical connections.
4. Detach service valves from compressor.
5. Remove failed compressor.
6. Follow compressor manufacturer's suggested clean-out procedures.
7. Install replacement compressor and make all connections. Replace gaskets or seals on service valves. Replace unloading solenoid.
8. Evacuate, charge, and operate per the appropriate procedure in [Piping and Filling with Refrigerant: R-134A and R-407C Circuits](#) on page 33 per local codes.

10.2.6 Compressor Mechanical Failure

If mechanical failure of the compressor has occurred, only the compressor needs replaced. A full system clean-out is not required.

10.2.7 Replacing a Compressor with Mechanical Failure



WARNING! Risk of electric shock. Can cause serious injury or death. Building and equipment damage may also result. Open all local and remote electric power supply disconnect switches and verify that power is off with a voltmeter before working within any electric connection enclosures. The Vertiv™ Liebert® iCOM™ controller does not isolate power from the unit, even in the "Unit Off" mode. Some internal components require and receive power even during the "unit off" mode of the Liebert® iCOM™ controller.

Installation, service, and maintenance work must be performed only by properly trained and qualified personnel and in accordance with applicable regulations and manufacturers' specifications. Opening or removing the covers to any equipment may expose personnel to lethal voltages within the unit even when it is apparently not operating and the input wiring is disconnected from the electrical source.



WARNING! Risk of over-pressurization of the refrigeration system. Can cause explosive discharge of high pressure refrigerant, loss of refrigerant, environmental pollution, equipment damage, injury or death. This unit contains fluids and gases under high pressure. Use extreme caution when charging the refrigerant system. Do not pressurize the system higher than the design pressure marked on the unit's nameplate. Local building or plumbing codes may require installing a fusible plug or other type of pressure-relief device in the system.

NOTE: Release of refrigerant to the atmosphere is harmful to the environment. Refrigerant must be recycled or discarded in accordance with federal, state, and local regulations.

1. Front-seat service valves to isolate the compressor. Recover refrigerant using an approved recovery procedure and equipment
2. Remove failed compressor.
3. Keep the replacement compressor sealed until installation is complete to the point that the system isolation valves are ready to be engaged. Keep exposure of the POE oil in compressor to atmosphere to a minimum.

4. Install replacement compressor, replace gaskets or seals on service valves, and make all connections. Replace unloading solenoid, if equipped.
5. Once the compressor is completely installed, keep isolation valves closed to the system and open to compressor. Add dry nitrogen to compressor and check all connections for leaks. With no leaks confirmed, evacuate the isolated compressor prior to introducing to the rest of the system.
6. When evacuating the isolated compressor volume, pull a vacuum of 500 microns with no decay above 1,000 microns within 20 minutes. Once evacuation requirements of compressor are met, open the valves to open the compressor to the system.
7. Check compressor and system operation. Make any necessary adjustments for proper equipment operation.

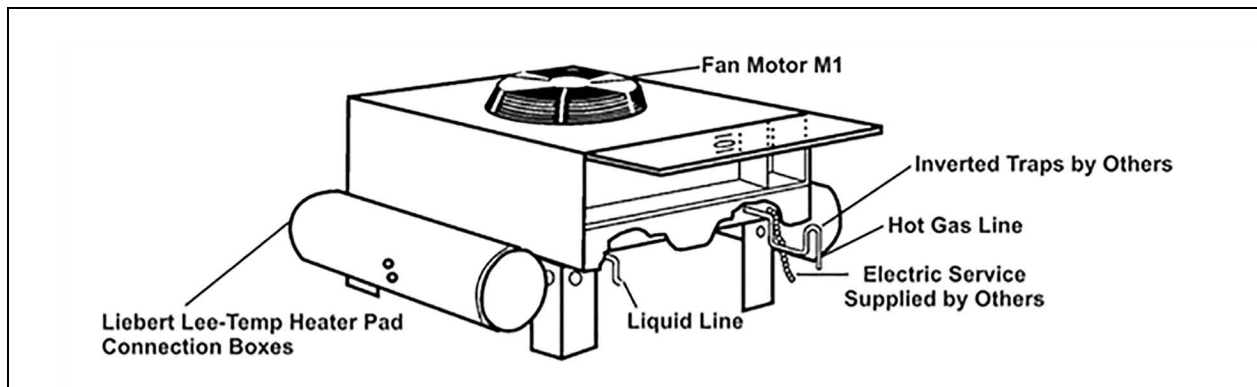
10.3 Air Cooled Condenser

Restricted airflow through the condenser coil will reduce the operating efficiency of the unit and can result in high compressor head pressure and loss of cooling.

Clean the condenser coil of all debris that will inhibit air flow. This can be done with compressed air or commercial coil cleaner. Check for bent or damaged coil fins and repair as necessary. In winter, do not permit snow to accumulate around the sides or underneath the condenser.

Check all refrigerant lines and capillaries for vibration isolation. Support as necessary. Visually inspect all refrigerant lines for signs of oil leaks.

Figure 10.1 Outdoor Fan/Condenser Configuration



10.4 Water/Glycol Floor Stand Condenser

10.4.1 Shell and Tube Condensers

Each water or glycol cooled module has a shell and tube condenser which consists of a shell, removable heads, gaskets, and cleanable copper tubes.

It may be necessary to clean the copper tubing periodically to remove any scale or lime that should collect (periods between cleanings will vary with local water conditions). As deposits build up, a cleaning tool, available at any refrigeration supply house, should be used to clean the heat exchanger tubes.

1. Stop the unit (using the start/stop switch) and allow the compressor to pump down.
2. Open the disconnect switch.
3. Shut off the water supply valve to the condenser.
4. Drain the water from condensers and piping.

5. Remove the bolts securing each head and slowly pry them free.
6. Remove old gaskets and inspect sealing surfaces for pits and corrosion.
7. Swab the condenser tubes with a tube cleaning tool.
8. When the tubes are clean, reinstall the heads using new factory gaskets.
9. Consult factory for specific torque requirements.
10. Reconnect the piping, open the water supply valve, vent the system, and check for leaks.

10.4.2 Regulating Valves

The water regulating valves automatically regulate the amount of fluid necessary to remove the heat from the refrigeration system, permitting more water to flow when load conditions are high and less fluid to flow when load conditions are low. The valve consists of a brass body, balance spring, valve seat, valve disc holders, capillary tube to discharge pressure, and an adjusting screw.

Testing the Water Regulating Valve Function

1. Turn the refrigeration system Off.
2. Wait 10 to 15 minutes, water should stop flowing.

If the water continues to flow, the valve is either improperly adjusted (with head pressure too low) or the pressure sensing capillary is not connected properly to the condenser. Consult **Table 9.1** on page 116 .

10.4.3 Glycol Solution Maintenance

Proper rust inhibitor maintenance is necessary to prevent corrosion of the glycol system. Consult the glycol manufacturer for testing and maintenance of inhibitors. Do not mix products from different manufacturers.

Inhibitor maintenance requirements depend on local water conditions. Analyzing water samples before installation and every six months will assist in developing a schedule. Inspect the solution and filter residue to determine whether corrosion is occurring.

A water treatment specialist may be required to set up a treatment program to remedy some water caused problems.

NOTICE

Risk of piping-system corrosion and freezing fluids. Can cause leaks resulting in equipment and very expensive building damage. Heat exchangers and piping systems are at high risk of freezing and premature corrosion. Fluids in these systems must contain the proper antifreeze and inhibitors to prevent freezing and premature coil and piping corrosion. When the cooling unit or piping may be exposed to freezing temperatures, charge the system with coolant fluid based on the coldest ambient design temperature. Automotive antifreeze is unacceptable and must NOT be used in any fluid system. Use only coolant fluid solution that meets the requirements of recommended industry practices. Do not use galvanized pipe.

The system coolant fluid must be analyzed by a competent fluid-treatment specialist before start up to establish the inhibitor and antifreeze solution requirement and evaluated at regularly scheduled intervals throughout the life of the system to determine the pattern of inhibitor depletion.

The fluid complexity and variants of required treatment programs make it extremely important to obtain the advice of a competent and experienced fluid-treatment specialist and follow a regularly scheduled coolant-fluid system-maintenance program.

Fluid chemistry varies greatly as do the required additives, called inhibitors, that reduce the corrosive effect of the fluids on the piping systems and components.

The chemistry of the coolant fluid used must be considered, because some sources may contain corrosive elements that reduce the effectiveness of the inhibited formulation. Sediment deposits prevent the formation of a protective oxide layer on the inside of the coolant system components and piping. The coolant fluid must be treated and circulating through the system continuously to prevent the buildup of deposits and/or growth of sulfate reducing bacteria. Proper inhibitor maintenance must be performed to prevent corrosion of the system.

Consult fluid manufacturer for testing and maintenance of inhibitors.

Commercial-grade coolant fluid is generally less corrosive to the common metals of construction than water itself. It will, however, assume the corrosivity of the coolant fluid from which it is prepared and may become increasingly corrosive with use if not properly inhibited.

Vertiv recommends installing a monitored fluid-detection system that is wired to activate the automatic-closure of field-installed coolant-fluid supply and return shut-off valves to reduce the amount of coolant-fluid leakage and consequential equipment and building damage. The shut-off valves must be sized to close-off against the maximum coolant-fluid system pressure in case of a catastrophic fluid leak.

NOTICE

Risk of no-flow condition. Can cause equipment damage. Do not leave the water/coolant fluid-supply circuit in a no-flow condition. Idle fluid allows the collection of sediment that prevents the formation of a protective oxide layer on the inside of the tubes. Keep unit switched On and water/ coolant fluid-supply circuit system operating continuously. In multiple unit teams, allow standby units to enter the rotation automatically or schedule regular manual rotations.

NOTICE

Risk of clogged or leaking drain lines and leaking water-supply lines. Can cause equipment and building damage.

This unit requires a water drain connection. Drain lines must be inspected at start-up and periodically, and maintenance must be performed to ensure that drain water runs freely through the drain system and that lines are clear and free of obstruction and in good condition with no visible sign of damage or leaks. This unit may also require an external water supply to operate.

Improper installation, application and services practices can result in water leakage from the unit. Water leakage can result in catastrophic and expensive building and equipment damage and loss of critical data center equipment.

Do not locate unit directly above any equipment that could sustain water damage.

We recommend installing a monitored fluid-detection system to immediately discover and report coolant-fluid system and condensate drain-line leaks.

NOTICE

Risk of leaking chilled water lines. Can cause equipment and building damage.

Lines and joints must be inspected regularly. Improper installation, application and service practices can result in water leakage from the unit. Water leakage can result in severe property damage and loss of critical data center equipment. Do not locate unit directly above any equipment that could sustain water damage.

Vertiv recommends installing monitored leak detection equipment for the unit and supply and return lines.

11 Specifications

Table 11.1 Vertiv™ Liebert® XDC Specifications

Models	XDC160 Air		XDC160 Water/Glycol
	XDC160AA	XDC160AM	189192G3 189192G5
Cooling Capacity, Tons (kW)	46 (160)	37 (130)	See Table 11.2 on the next page, Table 11.3 on page 125, Table 11.4 on page 126, and for Water/Glycol performance data.
Minimum Load	The Liebert® XDC's minimum recommended operating load is 40% of system nominal capacity. For example, a Liebert® XDC160 60 Hz system's minimum load would be 64 kW. Loading below this value can unfavorably affect system operation. Consult factory for any loading below this recommendation.		
Electrical Requirements			
Input	460 V, 3 ph, 60 Hz	380-415 V, 3 ph, 50 Hz	460 V, 3 ph, 60 Hz
Full Load Amps	79A		
Minimum Supply Wire Sizing Ampacity	84A		
Maximum Fuse or Circuit Breaker Size	100A		
Dimensions, Inches (mm)			
Height - Main Unit Only	78 (1,981)		
Height - Main Only, as Shipped	83 (2,108)		
Width - Main Unit	74 (1,879)		
Depth - Main Unit	34-5/8 (879)		
Height - Water/Glycol Cooled Condenser Stand	N/A		24 (607)
Width - Water/Glycol Cooled Condenser Stand	N/A		72 (1,829)
Depth - Water/Glycol Cooled Condenser Stand	N/A		33 (839)
Weight, lb. (kg)			
Main Unit Only	1,830 (831)		
Main Unit Only, as Shipped	Domestic: 1,975 (896); Export: 2,109 (957)		
Water/Glycol Cooled Condenser Stand	N/A		1,075 (488)
Water/Glycol Cooled Condenser Stand, as Shipped	N/A		1,150 (521)
Pipe Connections, Inches, O.D., Cu			
Refrigerant Supply to Liebert® XD Cooling Modules	1-1/8		
Refrigerant Return from Liebert® XD Cooling Modules	2-1/8		

Table 11.1 Vertiv™ Liebert® XDC Specifications (continued)

Models	XDC160 Air		XDC160 Water/Glycol
	XDC160AA	XDC160AM	189192G3 189192G5
Liquid line, DX circuit	7/8		
Hot Gas Line, DX Circuit	1-3/8		
Heat Rejection Equipment			
95° Ambient Air Cooled Condenser	2-DCSL415		N/A
100-105°F Ambient Air Cooled Condenser	2-DCSL616		N/A
Number of XD Cooling Units Connected, Maximum (Minimum)			
Liebert® XDH32	5 (2)		
Liebert® XD020	8 (4)		
Liebert® XDV10	16 (7)		
Cabinet Exterior Finish	Black, matte finish, heat fused powder coat		
Maximum Ambient Operating Temperature, °F (°C)	86 (30)		
Agency			
Approvals	CSA		CSA

Table 11.2 Floor Stand Specifications, Water Cooled Liebert® XDC

Models - 60 Hz	XDC160 Water Floor Stand, 60 Hz				
Entering Fluid Temp °F (°C)	65 (18)	70 (21)	75 (24)	85 (29)	95 (35)
Performance Data					
Cooling Capacity, Tons (kW)	46.1 (162.3)	46.1 (162.3)	46.1 (162.3)	46.1 (162.3)	44.5 (156.5)
Flow, GPM	50	58	70	110	142
Pressure Drop, PSI (ft water)	2.7 (6.2)	4.9 (11.3)	5.4 (12.5)	20.7 (47.8)	27.3 (63.1)
Heat Rejection Equipment					
Water Regulating Valve Size	1"	1"	1"	1"	1"
Piping Connections					
Water/Glycol Supply and Return Lines	2-1/8"	2-1/8"	2-1/8"	2-1/8"	2-1/8"

Table 11.3 Floor Stand Specifications, Liebert® XDC with 40% Propylene Glycol

Models - 60 Hz	XDC160 Glycol Floor Stand , 60 Hz, 40% PG		
Outside Ambient °F (°C)	95 (35)	100 (38)	105 (41)
Entering Fluid Temp °F (°C)	110 (43)	110 (43)	110 (43)
Performance Data			
Cooling Capacity, Tons (kW)	42.5 (149.4)		
Total Heat Rejection, kW	192.6		
Flow, GPM	206		
Pressure Drop, PSI (ft water)	37.2 (85.9)		
Heat Rejection Equipment			
Drycooler	DNT 940A	2 x DNT 880A*	
Drycooler Pressure Drop, PSI (ft water)	6.7 (15.5)	2.9 (6.6)	
Glycol Pump Package, 10 hp	9A31258G3		
Pump Control Package, 208 V	9A34606G47		
Pump Control Package, 460 V	9A32114G4		
Pump Total Head @ 204 GPM (ft water)	145		
Water Regulating Valve Size	1-1/4"		
Piping Connections			
Water/Glycol Supply and Return Lines	2-5/8"		
*When multiple drycoolers are used, ensure flow is balanced.			

Table 11.4 Floor Stand Specifications, Liebert® XDC with 40% Ethylene Glycol

Models - 60 Hz	XDC160 Glycol Floor Stand , 60 Hz, 40% EG		
Outside Ambient °F (°C)	95 (35)	100 (38)	105 (41)
Entering Fluid Temp °F (°C)	110 (43)	110 (43)	110 (43)
Performance Data			
Cooling Capacity, Tons (kW)	42.5 (149.4)		
Total Heat Rejection, (kW)	192.6		
Flow, GPM	204		
Pressure Drop, PSI (ft water)	35.9 (82.9)		
Heat Rejection Equipment			
Drycooler	DNT940A	2 x DNT 880A*	
Drycooler Pressure Drop, PSI (ft water)	6.5 (15.1)	2.7 (6.3)	
Glycol Pump Package, 10 HP	9A31258G3		
Pump Control Package, 208 V	9A34606G47		

Table 11.4 Floor Stand Specifications, Liebert® XDC with 40% Ethylene Glycol (continued)

Models - 60 Hz	XDC160 Glycol Floor Stand, 60 Hz, 40% EG
Pump Control Package, 460 V	9A32114G4
Pump Total Head @ 204 GPM (ft water)	145
Water Regulating Valve Size	1-1/4"
Piping Connections	
Water/Glycol Supply and Return Lines	2-5/8"
*When multiple drycoolers are used, ensure flow is balanced.	

Appendices

Appendix A: Technical Support and Contacts

A.1 Technical Support/Service in the United States

Vertiv Group Corporation

24x7 dispatch of technicians for all products.

1-800-543-2378

Liebert® Thermal Management Products

1-800-543-2378

Liebert® Channel Products

1-800-222-5877

Liebert® AC and DC Power Products

1-800-543-2378

A.2 Locations

United States

Vertiv Headquarters

505 N. Cleveland Ave.

Westerville, OH 43082, USA

Europe

Via Leonardo Da Vinci 8 Zona Industriale Tognana

35028 Piove Di Sacco (PD) Italy

Asia

7/F, Dah Sing Financial Centre

3108 Gloucester Road, Wanchai

Hong Kong

This page intentionally left blank

Appendix B: Submittal Drawings

Table B.1 below groups the drawings by topic/application.

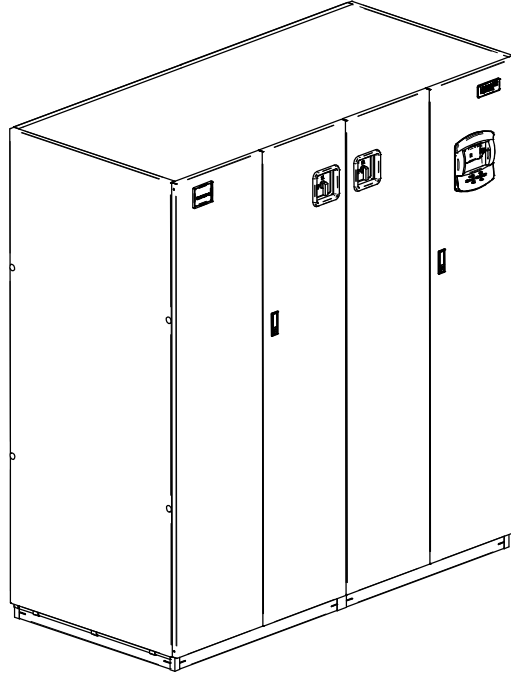
Table B.1 Submittal Drawing Contents

Document Number	Title
Planning Dimensions	
DPN001599	Cabinet Dimensional Data Chiller with Liebert® iCOM™ Controls
10025527	Dimensional Data with Floorstand
Piping Connections	
DPN001599	Piping Connections Chiller with iCOM™ Controls
DPN001419	Floorstand Piping Connections Water/Glycol Cooled Models
Piping General Arrangement Drawings	
10025528	Piping General Arrangement Drawings
DPN000937	General Arrangement Air Cooled XD Chiller Liebert® Lee-Temp Control
Electrical Field Connection Drawings	
10025529	Electrical Enclosure Location Primary and Secondary Enclosures
10025531	Connection Locations High Voltage 60Hz, 50Hz
10025532	High Voltage Connection Locations Secondary Disconnect 60Hz, 50Hz
10025530	Connection Locations heat Rejection
302210	Liebert® XDC with Liebert® iCOM™/CAN ISO Controls Board Layout and Lug Assignments
DPN001599	Low Voltage Electrical Connections Chiller with Liebert® iCOM™ Controls
Liebert® Lee-Temp Installation Data	
DPN000937	Installation Data R-407C Liebert® Lee-Temp DC SL415 Standard 4 Fan

This page intentionally left blank

STANDARD FEATURES

CHILLER W/ LIEBERT® iCOM™ CONTROLS



TANDEM COMPRESSORS - Scroll with a suction gas cooled motor, vibration isolators, thermal overloads, manual reset high-pressure switch and pump down low-pressure switch.

REFRIGERATION SYSTEM - Dual R-407C refrigeration circuits each including liquid line filter dryers, refrigerant sight glass with moisture indicator, electronic control valve, adjustable externally equalized expansion valves and liquid line solenoid valves.

HEAT EXCHANGER - Brazed plate design with interwoven circuiting constructed of stainless steel plates, copper brazed.

PUMPS - Centrifugal type. Uses R-134a.

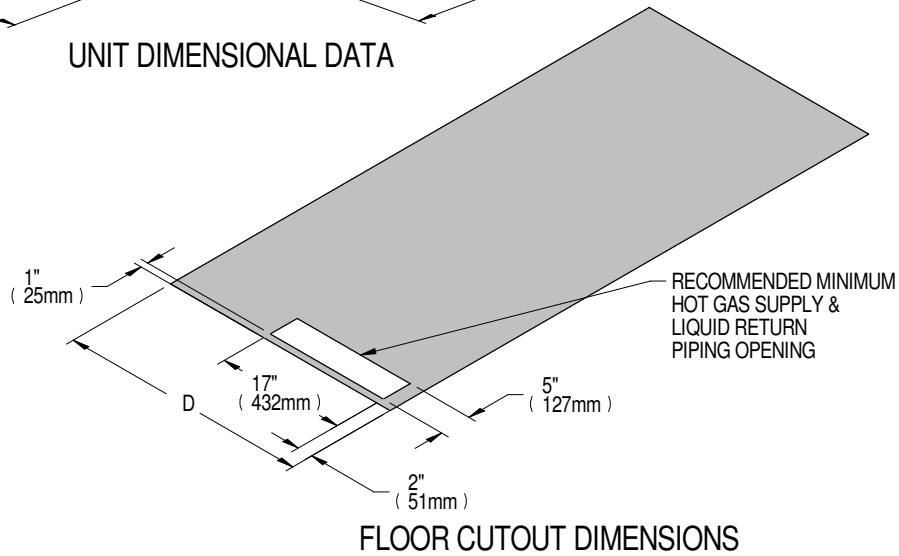
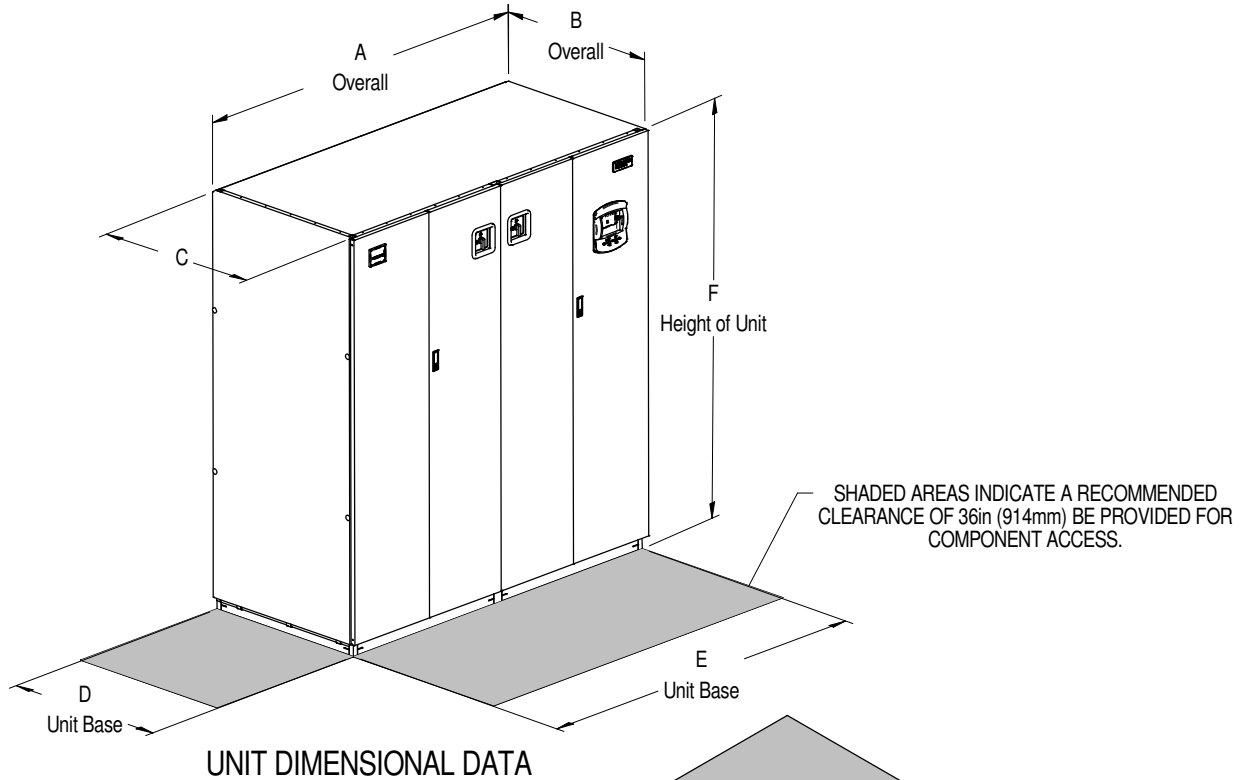
STANDARD CONTROL PROCESSOR - The standard control system is microprocessor-based with an external LCD numerical display to allow observation of specified settable functions. Normal operating conditions are indicated on the LCD display panel, which is mounted to the unit. The control system also monitors unit operation and activates an alarm when any of the specified factory preset conditions are exceeded.

CABINET AND FRAME - Custom powder painted steel panels. A hinged control access panel opens to a second front panel, which is a protected enclosure for all high voltage components. Frame is constructed of 14 gauge welded tubular steel and painted using an auto-deposition coating system.

CANBUS ISOLATOR - Electrically isolates external CANBUS from internal CANBUS. Allows for greater total length of external CANBUS cables.

REFER TO SYSTEM DESIGN MANUAL AND USER MANUAL FOR ADDITIONAL DETAIL

CABINET DIMENSIONAL DATA CHILLER W/ LIEBERT® iCOM™ CONTROLS



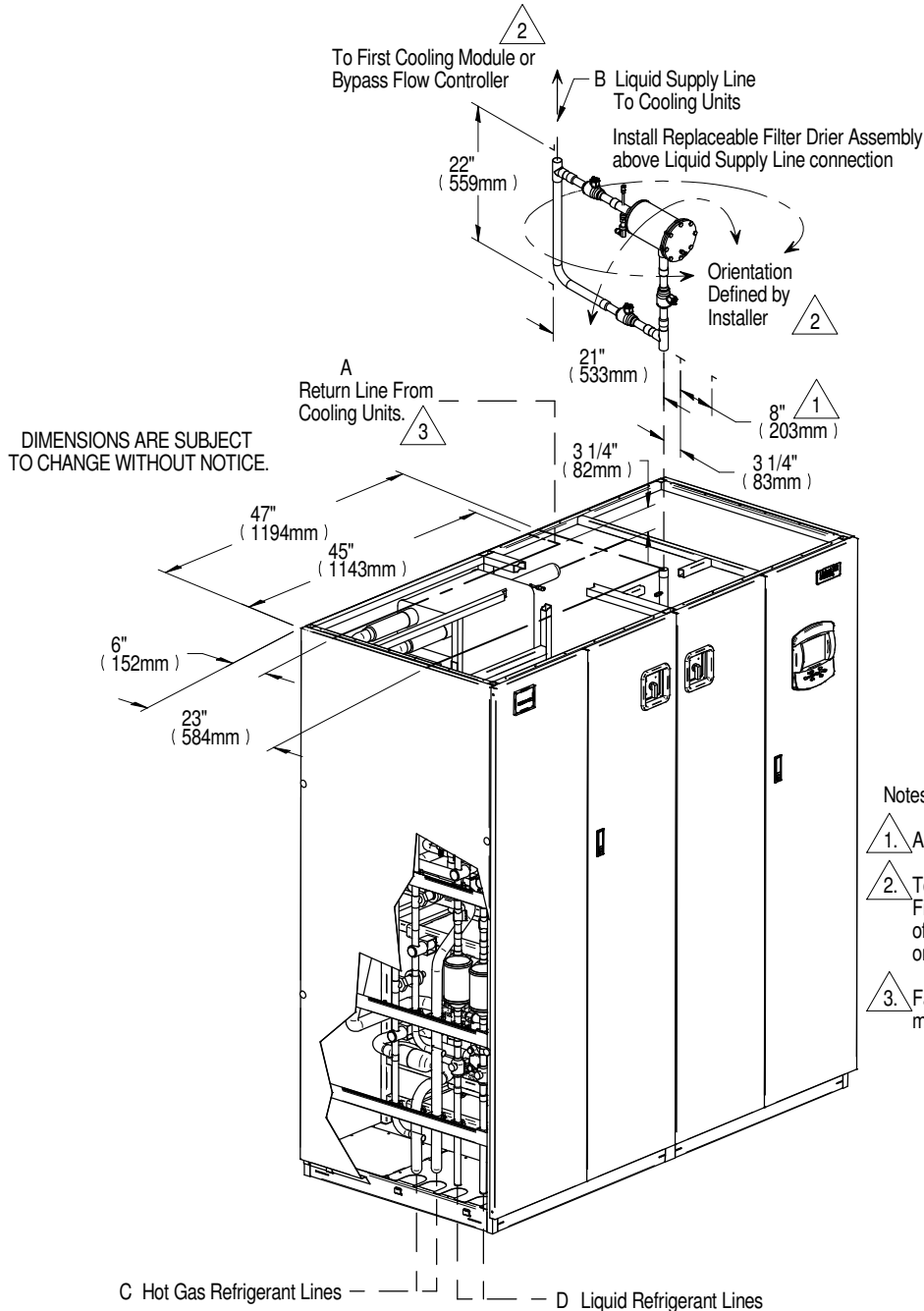
	DIMENSIONAL DATA in. (mm)						SHIPPED WEIGHT lbs (kg)	
	A	B ¹	C	D	E	F	DOM.	EXPORT
50/60 HZ								
XDC160	74 (1880)	34 (864)	33-1/8 (841)	33 (838)	72 (1829)	78 (1981)	1975 (896)	2109 (957)

Notes:

¹. Dimension Does Not Include the Bezel of the Disconnect Switch or iCOM Display.

REFER TO SYSTEM DESIGN MANUAL AND USER MANUAL FOR ADDITIONAL DETAIL

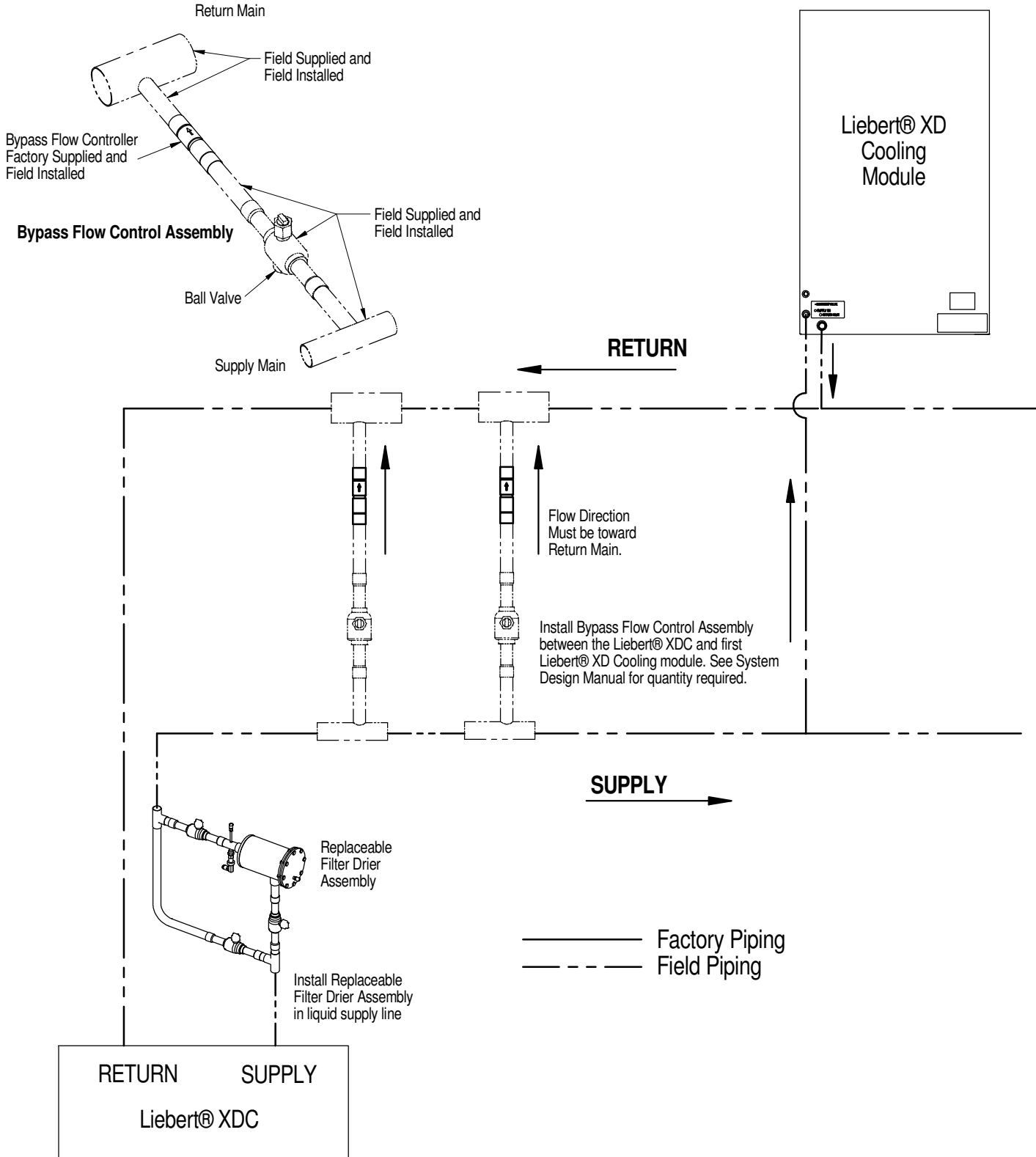
PIPING CONNECTIONS CHILLER W/ iCOM CONTROLS



Unit Piping Outlet Connection Sizes OD Cu, in.				
50/60Hz	A 3	B 2	C	D
XDC160	2-1/8	1-1/8	1-3/8	7/8

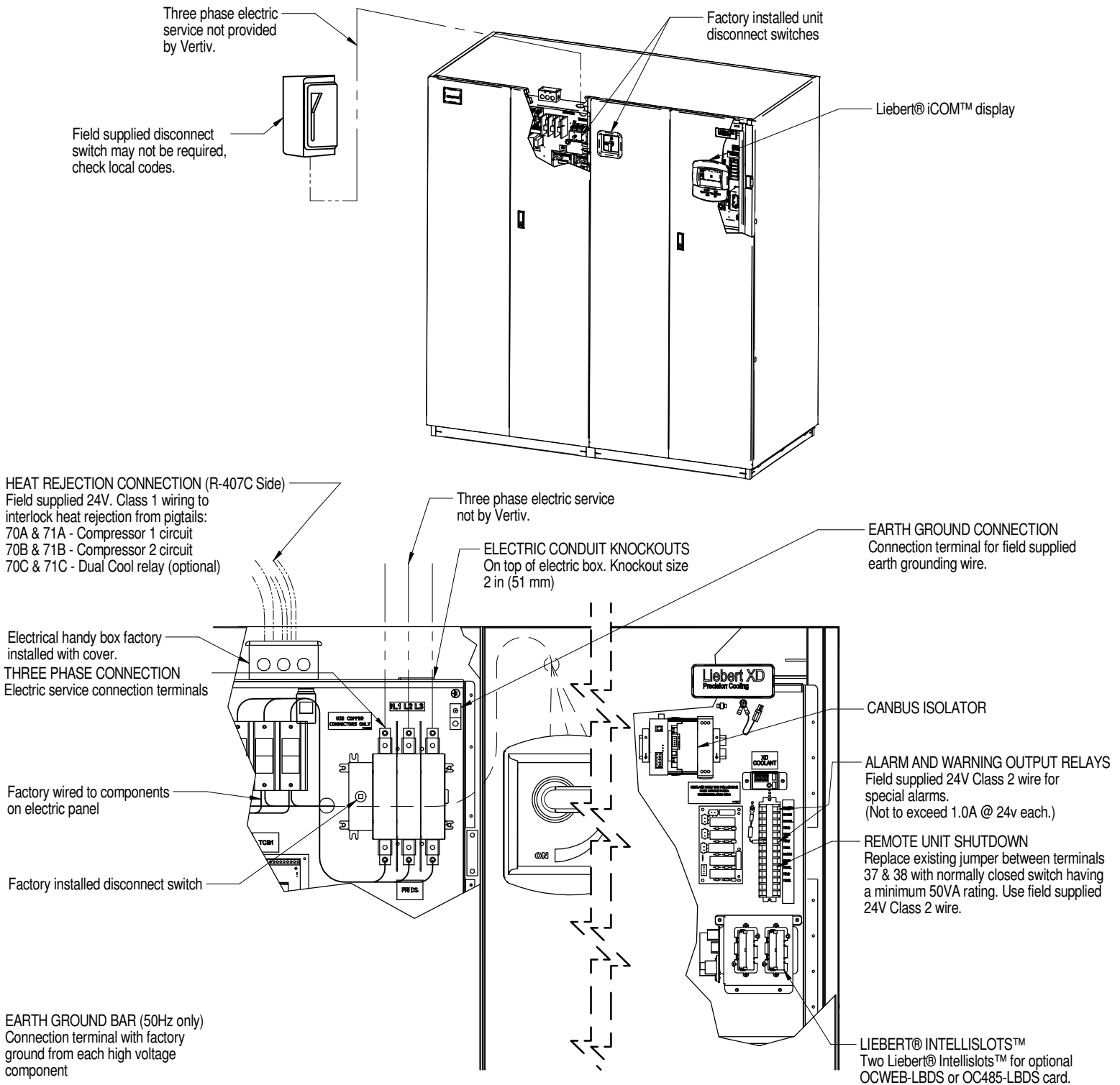
REFER TO SYSTEM DESIGN MANUAL AND USER MANUAL FOR ADDITIONAL DETAIL

GENERAL ARRANGEMENT BYPASS FLOW CONTROL



REFER TO SYSTEM DESIGN MANUAL AND USER MANUAL FOR ADDITIONAL DETAIL

ELECTRICAL FIELD CONNECTIONS CHILLER W/ iCOM CONTROLS



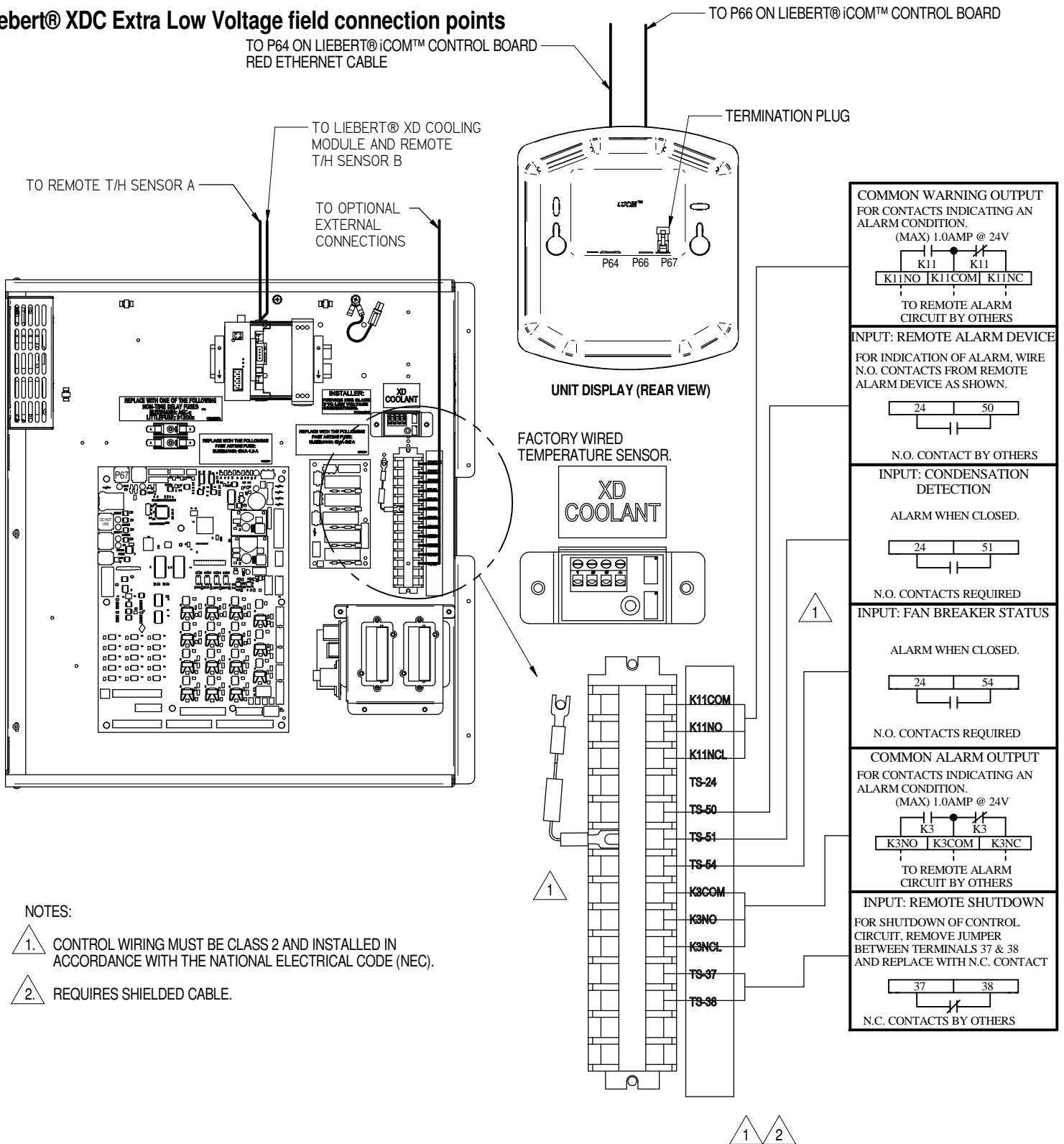
60HZ COMPONENTS SHOWN

NOTE: Refer to specification sheet for full load amp. and wire size amp. ratings.

REFER TO SYSTEM DESIGN MANUAL AND USER MANUAL FOR ADDITIONAL DETAIL

LOW VOLTAGE ELECTRICAL CONNECTIONS CHILLER W/ LIEBERT® iCOM™ CONTROLS

Liebert® XDC Extra Low Voltage field connection points



COMMON WARNING OUTPUT FOR CONTACTS INDICATING AN ALARM CONDITION.
(MAX) 1.0AMP @ 24V

TO REMOTE ALARM CIRCUIT BY OTHERS

INPUT: REMOTE ALARM DEVICE
FOR INDICATION OF ALARM, WIRE N.O. CONTACTS FROM REMOTE ALARM DEVICE AS SHOWN.

N.O. CONTACT BY OTHERS

INPUT: CONDENSATION DETECTION
ALARM WHEN CLOSED.

N.O. CONTACTS REQUIRED

INPUT: FAN BREAKER STATUS
ALARM WHEN CLOSED.

N.O. CONTACTS REQUIRED

COMMON ALARM OUTPUT FOR CONTACTS INDICATING AN ALARM CONDITION.
(MAX) 1.0AMP @ 24V

TO REMOTE ALARM CIRCUIT BY OTHERS

INPUT: REMOTE SHUTDOWN
FOR SHUTDOWN OF CONTROL CIRCUIT, REMOVE JUMPER BETWEEN TERMINALS 37 & 38 AND REPLACE WITH N.C. CONTACT

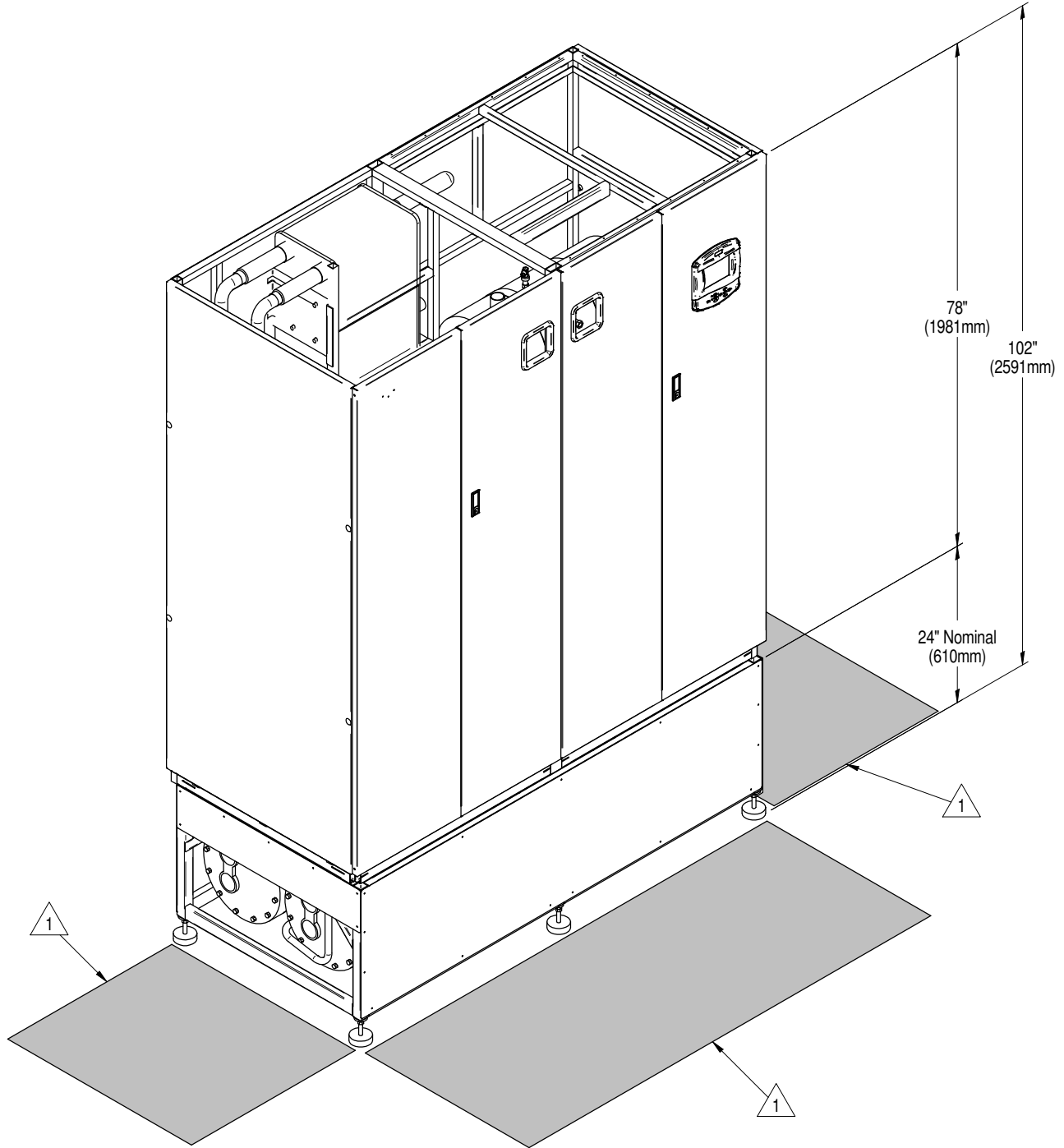
N.C. CONTACTS BY OTHERS

NOTES:

1. CONTROL WIRING MUST BE CLASS 2 AND INSTALLED IN ACCORDANCE WITH THE NATIONAL ELECTRICAL CODE (NEC).
2. REQUIRES SHIELDED CABLE.

REFER TO SYSTEM DESIGN MANUAL AND USER MANUAL FOR ADDITIONAL DETAIL

DIMENSIONAL DATA WITH FLOORSTAND



Notes:

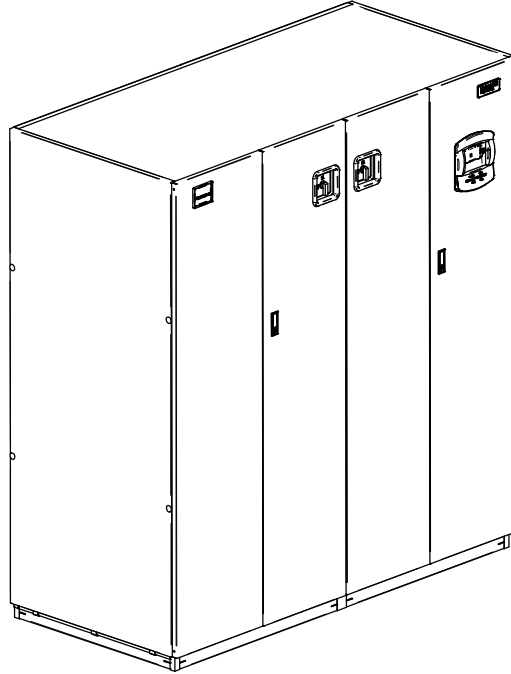
1. Shaded areas indicate recommended clearance of 36" (914mm) for component and water/glycol piping access.

REFER TO SYSTEM DESIGN MANUAL AND USER MANUAL FOR ADDITIONAL DETAIL



LIEBERT® XD

STANDARD FEATURES CHILLER W/ LIEBERT® iCOM™ CONTROLS



TANDEM COMPRESSORS - Scroll with a suction gas cooled motor, vibration isolators, thermal overloads, manual reset high-pressure switch and pump down low-pressure switch.

REFRIGERATION SYSTEM - Dual R-407C refrigeration circuits each including liquid line filter dryers, refrigerant sight glass with moisture indicator, electronic control valve, adjustable externally equalized expansion valves and liquid line solenoid valves.

HEAT EXCHANGER - Brazed plate design with interwoven circuiting constructed of stainless steel plates, copper brazed.

PUMPS - Centrifugal type. Uses R-134a.

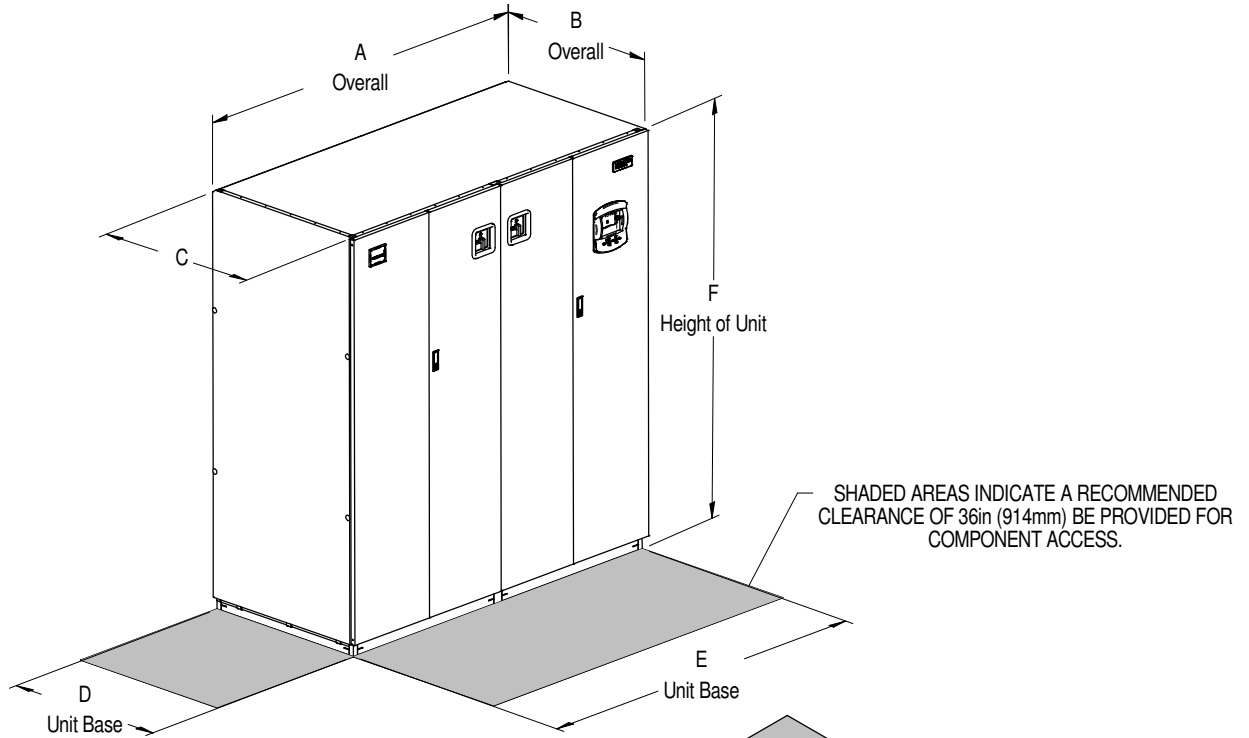
STANDARD CONTROL PROCESSOR - The standard control system is microprocessor-based with an external LCD numerical display to allow observation of specified settable functions. Normal operating conditions are indicated on the LCD display panel, which is mounted to the unit. The control system also monitors unit operation and activates an alarm when any of the specified factory preset conditions are exceeded.

CABINET AND FRAME - Custom powder painted steel panels. A hinged control access panel opens to a second front panel, which is a protected enclosure for all high voltage components. Frame is constructed of 14 gauge welded tubular steel and painted using an auto-deposition coating system.

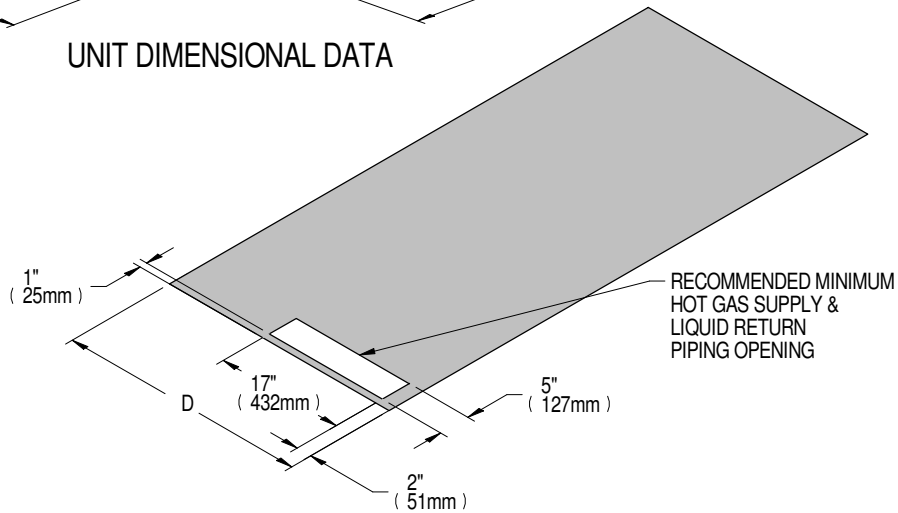
CANBUS ISOLATOR - Electrically isolates external CANBUS from internal CANBUS. Allows for greater total length of external CANBUS cables.

REFER TO SYSTEM DESIGN MANUAL AND USER MANUAL FOR ADDITIONAL DETAIL

CABINET DIMENSIONAL DATA CHILLER W/ LIEBERT® iCOM™ CONTROLS



UNIT DIMENSIONAL DATA



FLOOR CUTOUT DIMENSIONS

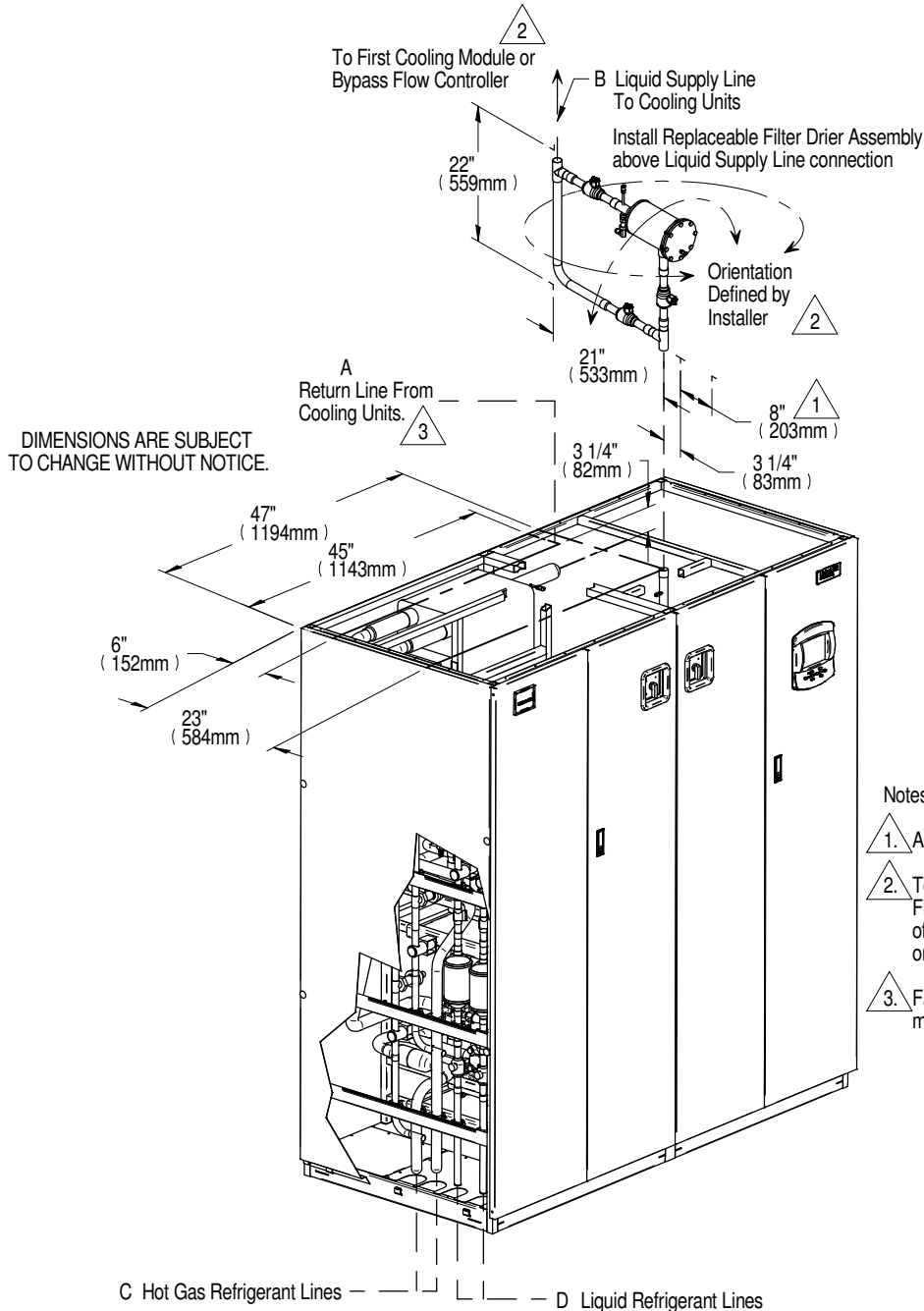
	DIMENSIONAL DATA in. (mm)						SHIPPED WEIGHT lbs (kg)	
	A	B ¹	C	D	E	F	DOM.	EXPORT
50/60 HZ								
XDC160	74 (1880)	34 (864)	33-1/8 (841)	33 (838)	72 (1829)	78 (1981)	1975 (896)	2109 (957)

Notes:

¹. Dimension Does Not Include the Bezel of the Disconnect Switch or iCOM Display.

REFER TO SYSTEM DESIGN MANUAL AND USER MANUAL FOR ADDITIONAL DETAIL

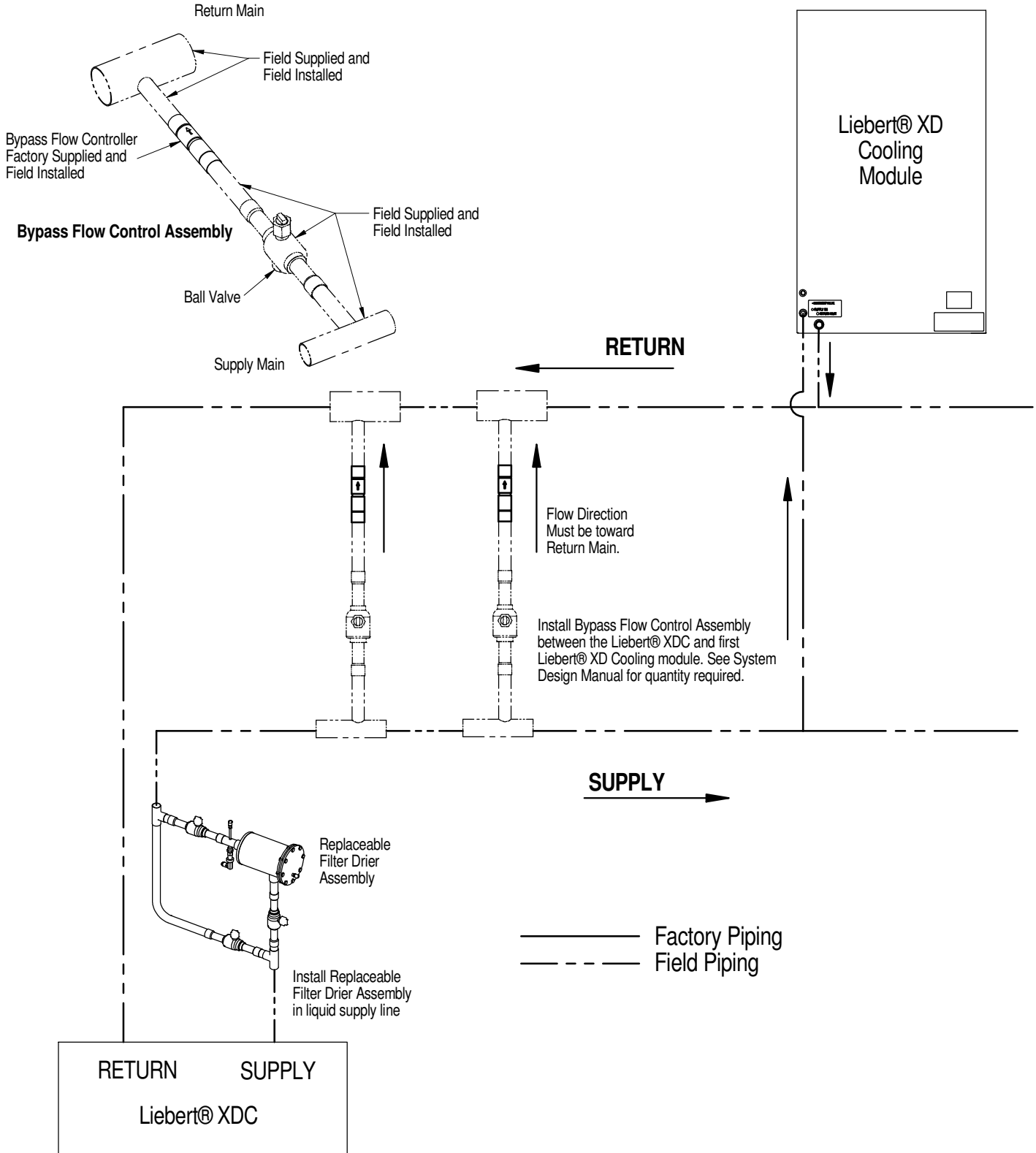
PIPING CONNECTIONS CHILLER W/ iCOM CONTROLS



Unit Piping Outlet Connection Sizes OD Cu, in.				
50/60Hz	A 3	B 2	C	D
XDC160	2-1/8	1-1/8	1-3/8	7/8

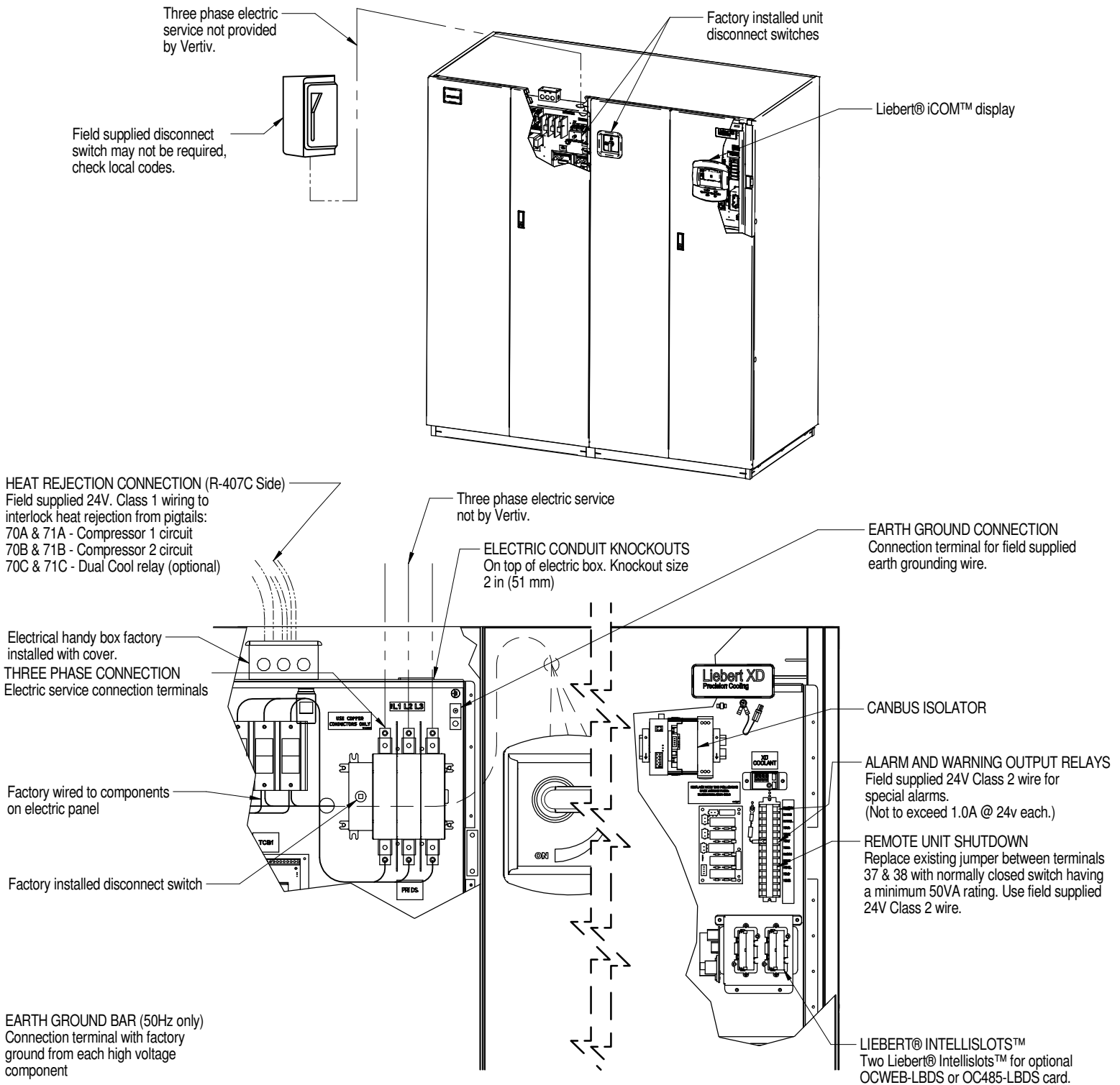
REFER TO SYSTEM DESIGN MANUAL AND USER MANUAL FOR ADDITIONAL DETAIL

GENERAL ARRANGEMENT BYPASS FLOW CONTROL



REFER TO SYSTEM DESIGN MANUAL AND USER MANUAL FOR ADDITIONAL DETAIL

ELECTRICAL FIELD CONNECTIONS CHILLER W/ iCOM CONTROLS



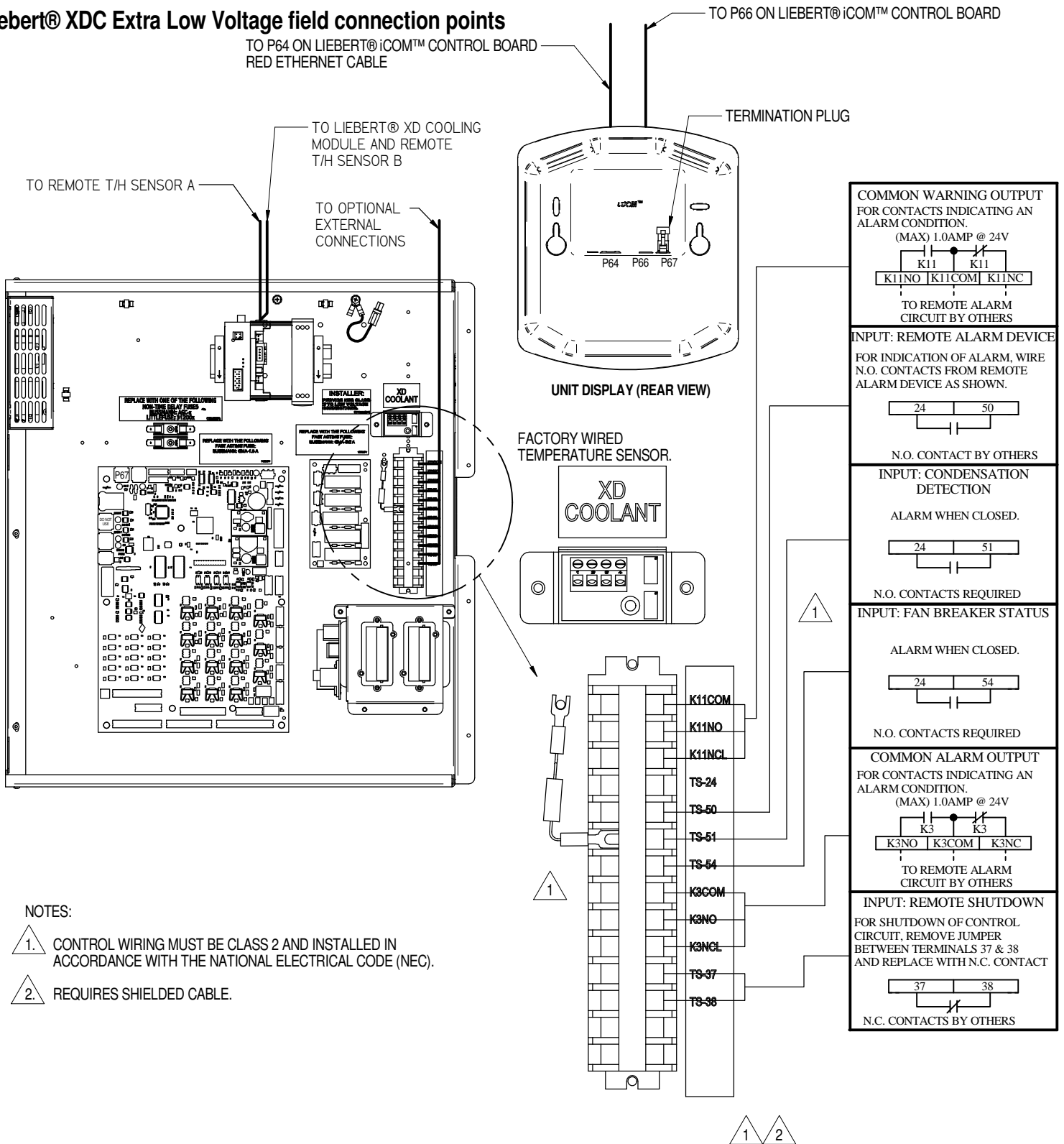
60HZ COMPONENTS SHOWN

NOTE: Refer to specification sheet for full load amp. and wire size amp. ratings.

REFER TO SYSTEM DESIGN MANUAL AND USER MANUAL FOR ADDITIONAL DETAIL

LOW VOLTAGE ELECTRICAL CONNECTIONS CHILLER W/ LIEBERT® iCOM™ CONTROLS

Liebert® XDC Extra Low Voltage field connection points



COMMON WARNING OUTPUT FOR CONTACTS INDICATING AN ALARM CONDITION.
(MAX) 1.0AMP @ 24V

TO REMOTE ALARM CIRCUIT BY OTHERS

INPUT: REMOTE ALARM DEVICE
FOR INDICATION OF ALARM, WIRE N.O. CONTACTS FROM REMOTE ALARM DEVICE AS SHOWN.

N.O. CONTACT BY OTHERS

INPUT: CONDENSATION DETECTION
ALARM WHEN CLOSED.

N.O. CONTACTS REQUIRED

INPUT: FAN BREAKER STATUS
ALARM WHEN CLOSED.

N.O. CONTACTS REQUIRED

COMMON ALARM OUTPUT FOR CONTACTS INDICATING AN ALARM CONDITION.
(MAX) 1.0AMP @ 24V

TO REMOTE ALARM CIRCUIT BY OTHERS

INPUT: REMOTE SHUTDOWN
FOR SHUTDOWN OF CONTROL CIRCUIT, REMOVE JUMPER BETWEEN TERMINALS 37 & 38 AND REPLACE WITH N.C. CONTACT

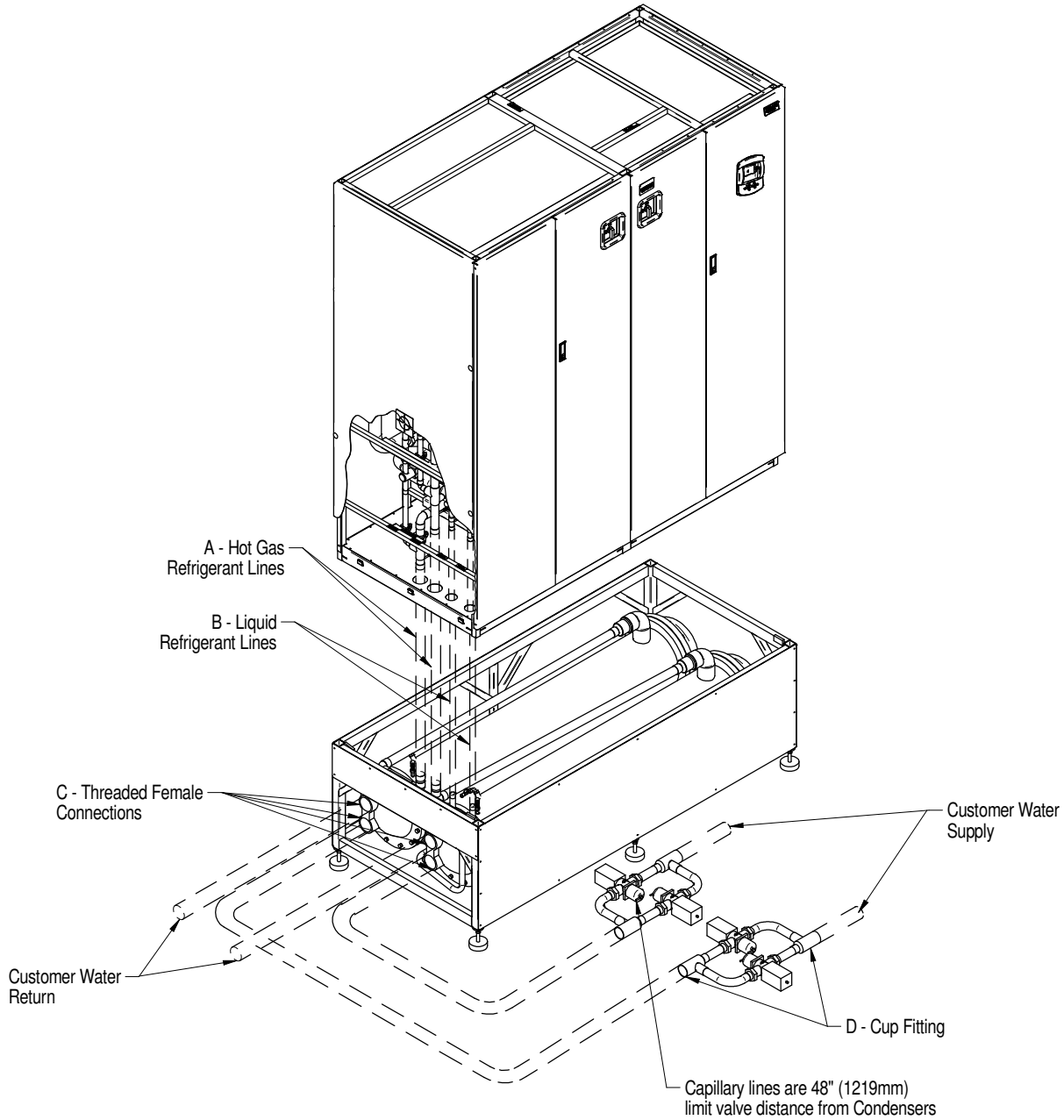
N.C. CONTACTS BY OTHERS

NOTES:

1. CONTROL WIRING MUST BE CLASS 2 AND INSTALLED IN ACCORDANCE WITH THE NATIONAL ELECTRICAL CODE (NEC).
2. REQUIRES SHIELDED CABLE.

REFER TO SYSTEM DESIGN MANUAL AND USER MANUAL FOR ADDITIONAL DETAIL

FLOORSTAND PIPING CONNECTIONS WATER/GLYCOL COOLED MODELS



— — — = Customer Provided Piping

Water Cooled Model	A	B	C*	D**
50/60 Hz				
XDC160	1-3/8	7/8	2-1/2	2-1/8 or 2-5/8

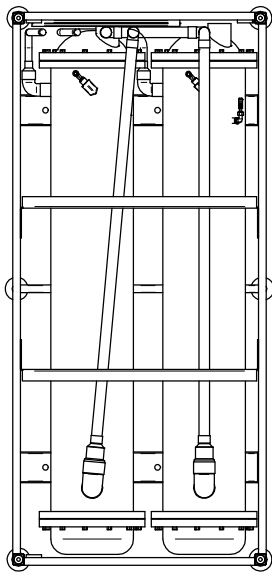
*Threaded Female Connection

** (2-1/8" for 1" WRV, 2-5/8" for 1-1/4" WRV)

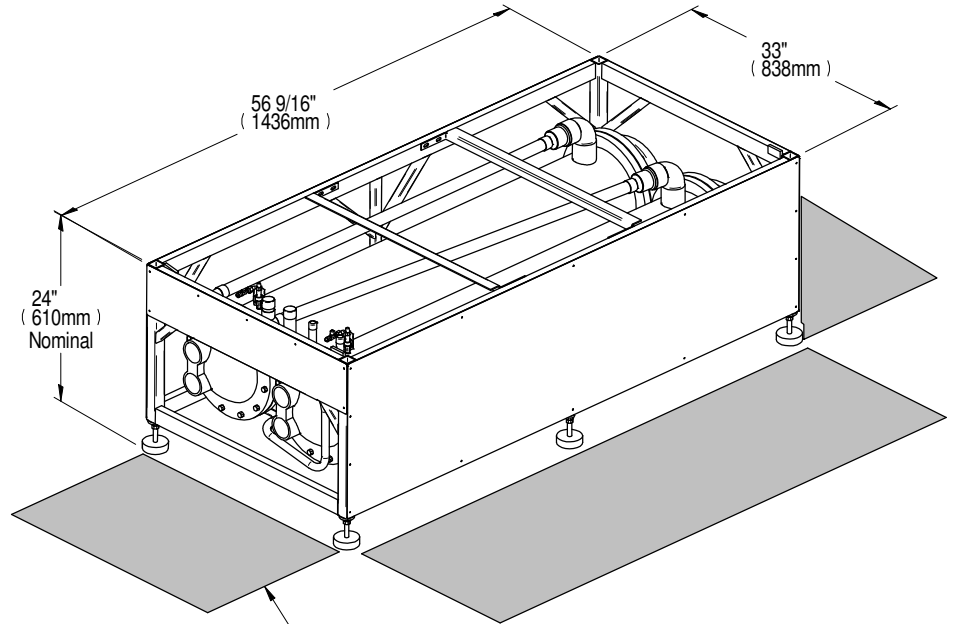
Refer to DPN001599 for R-134a piping connection details.

REFER TO SYSTEM DESIGN MANUAL AND USER MANUAL FOR ADDITIONAL DETAIL

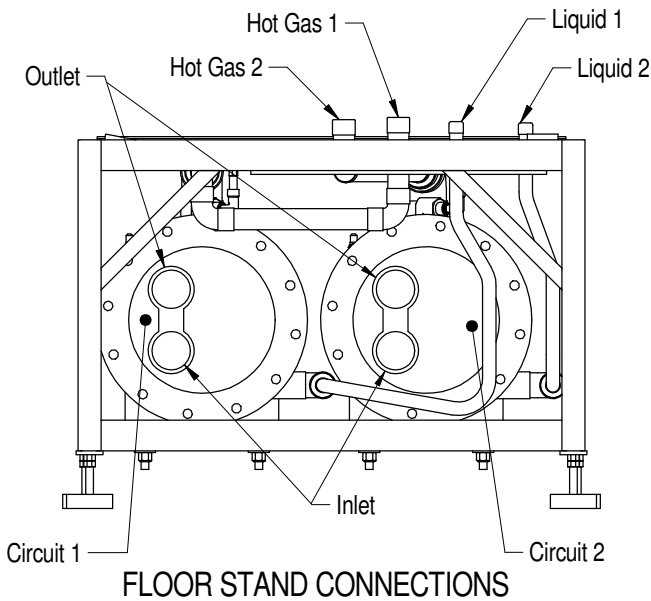
FLOORSTAND PIPING CONNECTIONS WATER/GLYCOL COOLED MODELS



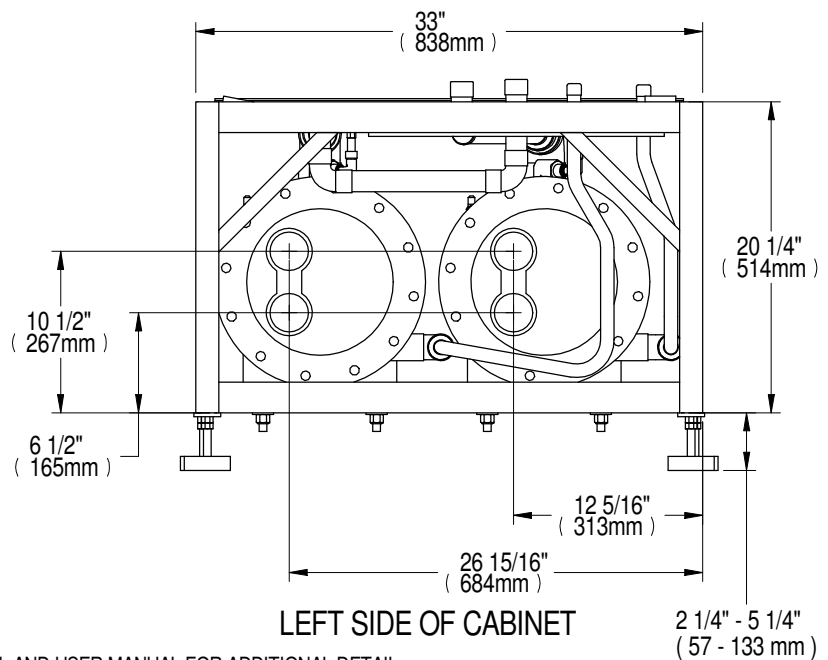
TOP VIEW OF FLOORSTAND



Shaded areas indicate a recommended clearance of 36" (914mm) for component access and Water/Glycol piping access.



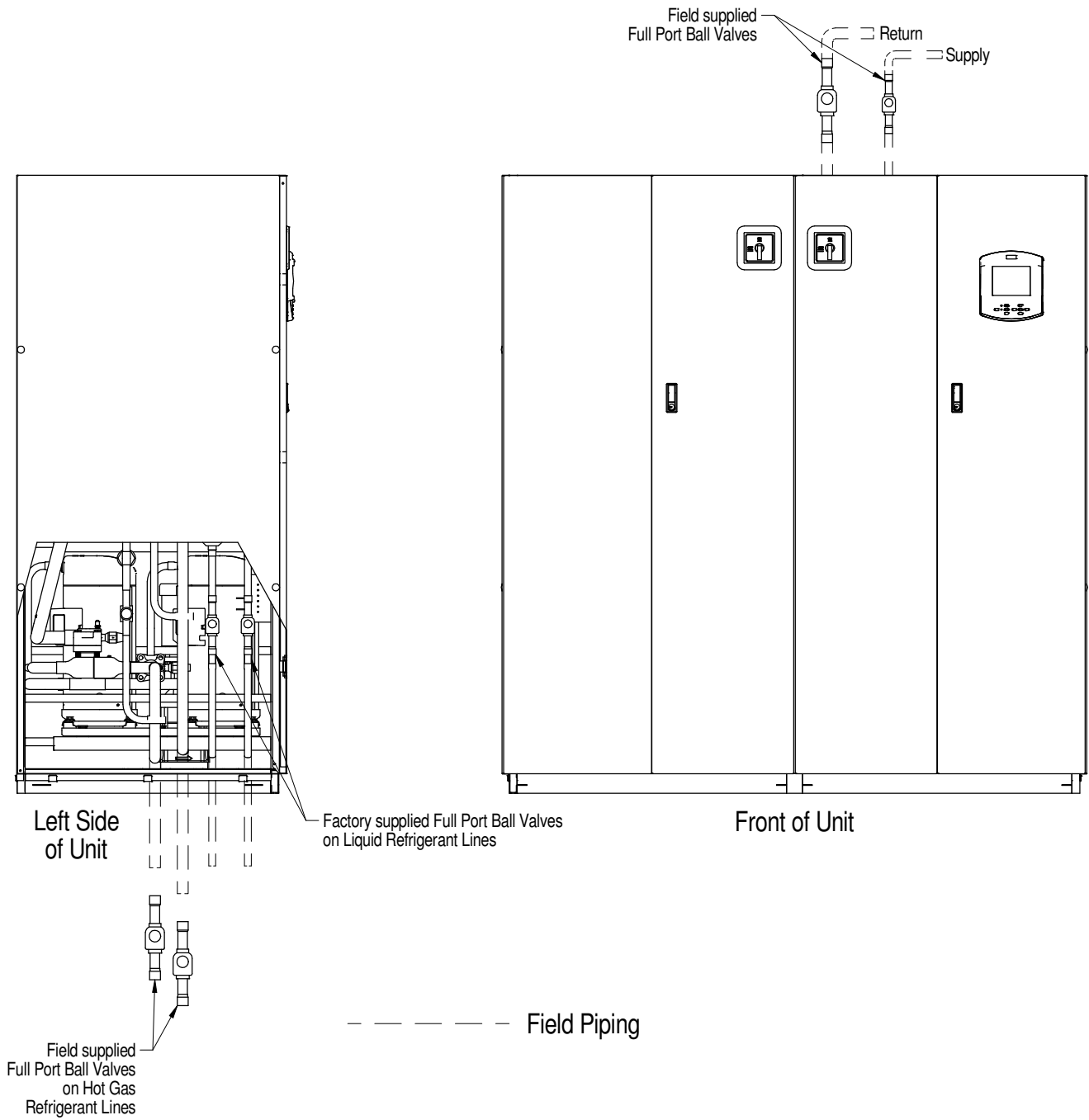
FLOOR STAND CONNECTIONS



LEFT SIDE OF CABINET

REFER TO SYSTEM DESIGN MANUAL AND USER MANUAL FOR ADDITIONAL DETAIL

PIPING DETAILS SHUTOFF & ISOLATION VALVES

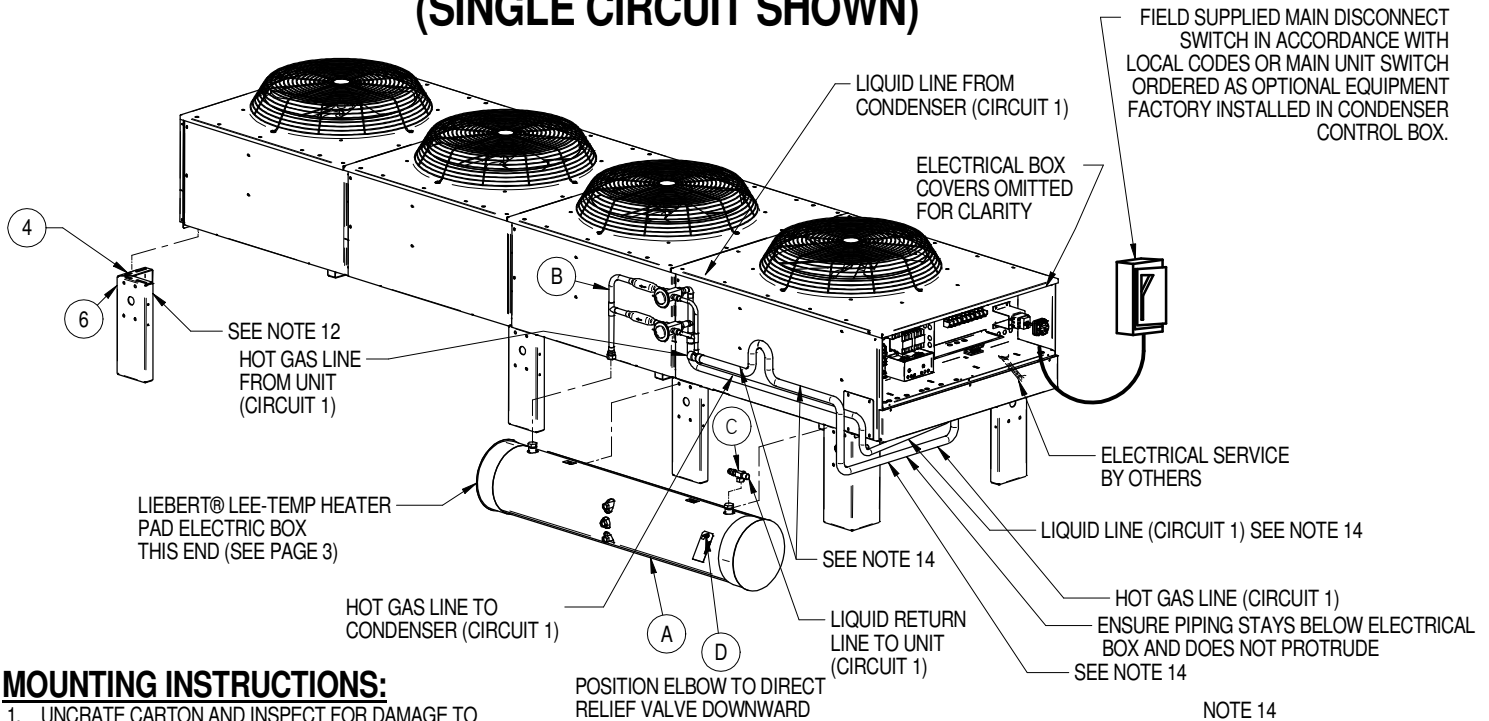


REFER TO SYSTEM DESIGN MANUAL AND USER MANUAL FOR ADDITIONAL DETAIL

INSTALLATION DATA

R-407C - LIEBERT® LEE-TEMP DC SL415 STANDARD 4 FAN

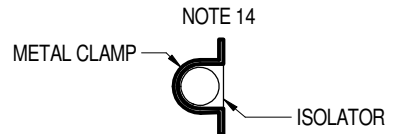
(SINGLE CIRCUIT SHOWN)



MOUNTING INSTRUCTIONS:

1. UNCRATE CARTON AND INSPECT FOR DAMAGE TO CONDENSER AND CONDENSER CONTROL PANEL.
2. ASSEMBLE LEGS PER INSTRUCTIONS AS SHOWN.
3. DOUBLE RISERS ARE REQUIRED WHEN HOT GAS VERTICAL RISE IS 15 ft (4.6m) OR MORE. REFER TO XDC USER MANUAL FOR DOUBLE RISER DETAILS.
4. WIRE ACCORDING TO ELECTRICAL DIAGRAM ON INSIDE OF CONDENSER CONTROL BOX AND IN ACCORDANCE WITH ALL LOCAL CODES.
5. ALL CONDENSER LOCATIONS MORE THAN 200FT. (61m) OF EQUIVALENT PIPING LENGTH AWAY FROM LIEBERT® XDC UNIT MUST CONSULT FACTORY FOR SPECIAL PIPING CONSIDERATIONS.
6. FIELD TO SIZE REFRIGERANT LINES SO AS NOT TO EXCEED 2° F (1.1°C) SATURATION LOSS FOR TOTAL EQUIVALENT LENGTH (DO NOT USE CONNECTION SIZES TO DETERMINE LINE SIZES).
7. CONDENSER MUST BE INSTALLED ABOVE OR AT THE SAME LEVEL AS THE LIEBERT XDC UNIT.
8. DO NOT RUN PIPING OR WIRING IN THE PATH OF AIR FLOW AS THIS WILL HAMPER THE SYSTEM PERFORMANCE.
9. INSTALL FIELD SUPPLIED INVERTED TRAPS ON HOT GAS LINES BETWEEN CONDENSER AND FIELD PIPING.
10. ALL OTHER PIPING FIELD SUPPLIED AND CONNECTED.
11. INVERTED TRAPS MUST BE INSTALLED TO ALLOW PROPER CLEARANCE TO FULLY OPEN CONDENSER CONTROL BOX DOOR AND IN ACCORDANCE WITH LOCAL ELECTRIC CODES.
12. SECURE LIEBERT® LEE-TEMP RECEIVER ASSEMBLY AND EACH LEG TO CONDENSER FRAME USING HARDWARE PROVIDED. RECEIVER CAN BE MOUNTED ON EITHER SIDE OF THE CONDENSER.
13. LIEBERT® LEE-TEMP ITEM (B) IS SHIPPED AS A PRE-PIPED ASSEMBLY SHIPPED LOOSE FOR FIELD INSTALLATION. ITEM (C) IS SHIPPED LOOSE FOR FIELD INSTALLATION.
14. FASTEN LIQUID AND HOT GAS LINES USING FLAT SURFACE CLAMPS WITH ISOLATORS (FIELD PROVIDED). SUPPORT FIELD PIPING SEPARATELY TO AVOID COIL DAMAGE AND LOSS OF CHARGE.
15. RELIEVE PRESSURE AT ACCESS PORT. REPLACE ACCESS PORT FITTING WITH RELIEF VALVE BEFORE CHARGING SYSTEM.

REFER TO SYSTEM DESIGN MANUAL AND USER MANUAL FOR ADDITIONAL DETAIL

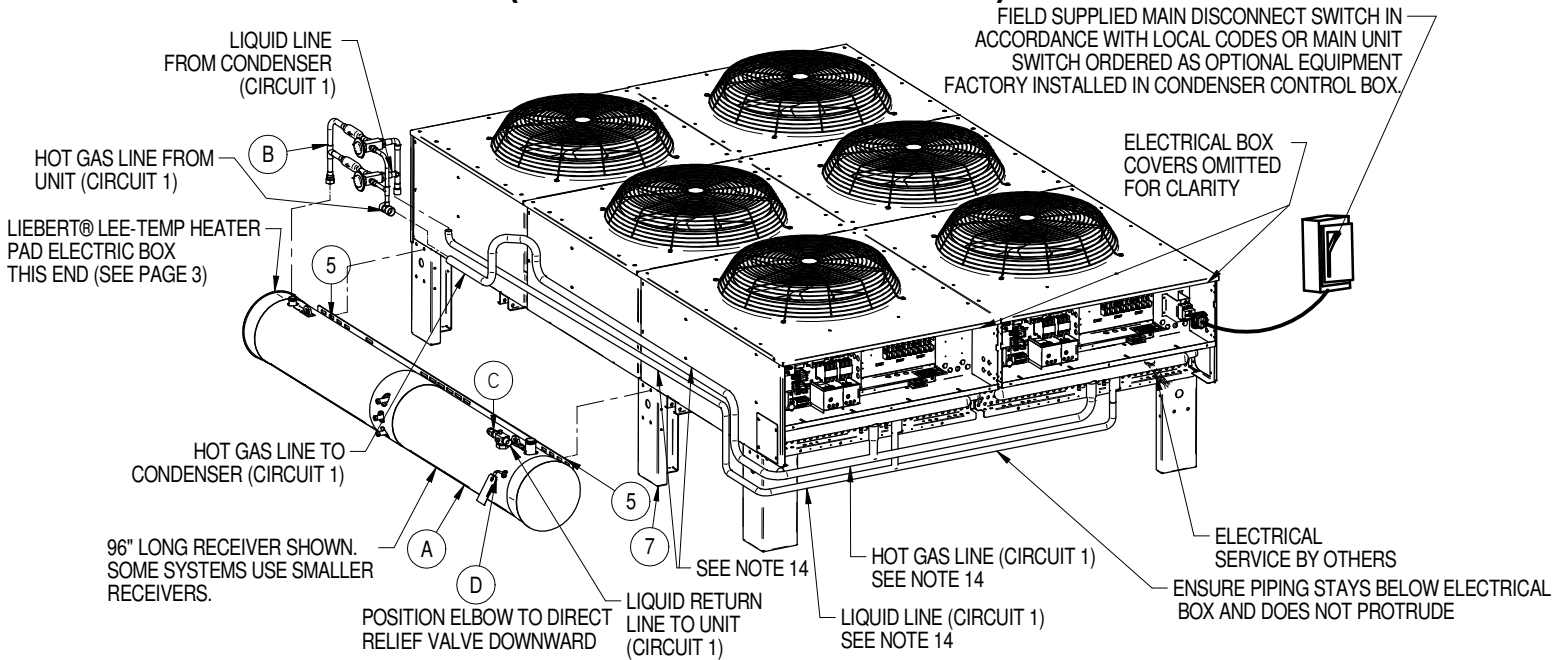


MATERIALS SUPPLIED BY VERTIV

- 1 BUILT IN CONDENSER CONTROL BOX. SEE ELECTRICAL DRAWING FOR DETAILS AND FIELD WIRING.
- 2 AIR COOLED CONDENSER.
- 3 PIPING ACCESS COVER TO BE REINSTALLED WHEN PIPING IS COMPLETED.
- 4 BOLTS - (4 PER LEG) 3/8" (9.5mm) - (16) SIXTEEN 5/8" (15.9mm)
- 5 TERMINAL BLOCK FOR 2 WIRE 24 VOLT INTERLOCK CONNECTION BETWEEN LIEBERT® XDC UNIT AND LIEBERT® CONDENSER.
- 6 CONDENSER LEGS - (8) EIGHT LEGS FOR (4) FOUR FAN MODELS.
- 7 LIEBERT® LEE TEMP: (A) INSULATED STORAGE RECEIVER - STORAGE RECEIVER (1) PER CIRCUIT. 5 FOOT LONG RECEIVER IS STANDARD.
(B) DUAL HEAD PRESSURE CONTROL VALVE ASSEMBLY WITH INTEGRAL CHECK VALVE(S) - (1) ONE PER CIRCUIT (SEE NOTE 13)
(C) ROTO LOCK VALVE - (1) ONE PER CIRCUIT, FIELD INSTALLED.
(D) PRESSURE RELIEF VALVE - (1) ONE PER CIRCUIT, FIELD INSTALLED.
(E) LIQUID LEVEL INDICATOR - (1) PER CIRCUIT, FACTORY INSTALLED ON RECEIVER.
- 8 BOLTS - LIEBERT® LEE-TEMP 3/8" (9.5mm)

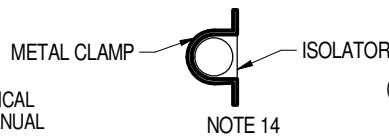
INSTALLATION DATA

LIEBERT® LEE-TEMP DC SL616 6 FAN HIGH AMBIENT (SINGLE CIRCUIT SHOWN)



MOUNTING INSTRUCTIONS:

1. UNCRATE CARTON AND INSPECT FOR DAMAGE TO CONDENSER AND CONDENSER CONTROL PANEL.
2. ASSEMBLE LEGS PER INSTRUCTIONS AS SHOWN.
3. DOUBLE RISERS ARE REQUIRED WHEN HOT GAS VERTICAL RISE IS 15 ft (4.6m) OR MORE. REFER TO XDC USER MANUAL FOR DOUBLE RISER DETAILS.
4. WIRE ACCORDING TO ELECTRICAL DIAGRAM ON INSIDE OF CONDENSER CONTROL BOX AND IN ACCORDANCE WITH ALL LOCAL CODES.
5. ALL CONDENSER LOCATIONS MORE THAN 200FT. (61m) OF EQUIVALENT PIPING LENGTH AWAY FROM LIEBERT® XDC UNIT MUST CONSULT FACTORY FOR SPECIAL PIPING CONSIDERATIONS.
6. FIELD TO SIZE REFRIGERANT LINES SO AS NOT TO EXCEED 2° F(1.1°C) SATURATION LOSS FOR TOTAL EQUIVALENT LENGTH (DO NOT USE CONNECTION SIZES TO DETERMINE LINE SIZES).
7. CONDENSER MUST BE INSTALLED ABOVE OR AT THE SAME LEVEL AS THE LIEBERT XDC UNIT.
8. DO NOT RUN PIPING OR WIRING IN THE PATH OF AIR FLOW AS THIS WILL HAMPER THE SYSTEM PERFORMANCE.
9. INSTALL FIELD SUPPLIED INVERTED TRAPS ON HOT GAS LINES BETWEEN CONDENSER AND FIELD PIPING.
10. ALL OTHER PIPING FIELD SUPPLIED AND CONNECTED.
11. INVERTED TRAPS MUST BE INSTALLED TO ALLOW PROPER CLEARANCE TO FULLY OPEN CONDENSER CONTROL BOX DOOR AND IN ACCORDANCE WITH LOCAL ELECTRICAL CODES.
12. SECURE LIEBERT® LEE-TEMP RECEIVER ASSEMBLY AND EACH LEG TO CONDENSER FRAME USING HARDWARE PROVIDED. RECEIVER CAN BE MOUNTED ON EITHER SIDE OF CONDENSER.
13. LIEBERT® LEE-TEMP ITEM (B) IS SHIPPED AS A PRE-PIPED ASSEMBLY SHIPPED LOOSE FOR FIELD INSTALLATION. ITEM (C) IS SHIPPED LOOSE FOR FIELD INSTALLATION.
14. FASTEN LIQUID AND HOT GAS LINES USING FLAT SURFACE CLAMPS WITH ISOLATORS (FIELD PROVIDED). SUPPORT FIELD PIPING SEPARATELY TO AVOID COIL DAMAGE AND LOSS OF CHARGE.
15. RELIEVE PRESSURE AT ACCESS PORT. REPLACE ACCESS PORT FITTING WITH RELIEF VALVE BEFORE CHARGING SYSTEM.



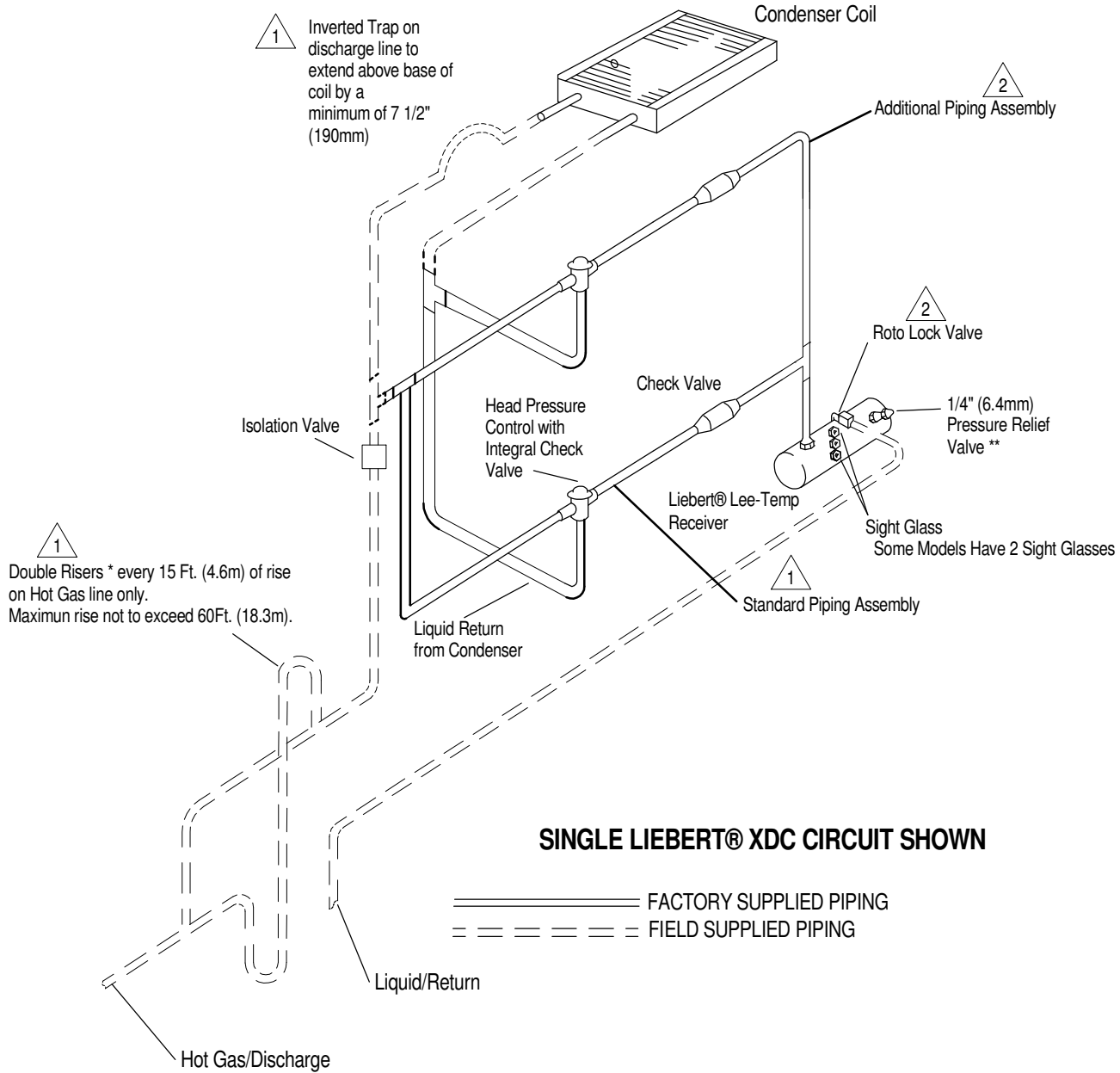
(SEE PAGE 5 FOR PIPING CONNECTIONS DETAILS)

MATERIALS SUPPLIED BY VERTIV

- 1 BUILT IN CONDENSER CONTROL BOX. SEE ELECTRICAL DRAWING FOR DETAILS AND FIELD WIRING.
- 2 AIR COOLED CONDENSER.
- 3 3/8"-16 x 3/4" LONG BOLTS - (20 TOTAL) ATTACHES LEGS TO CONDENSER FRAME.
- 4 3/8"-16 x 1-1/4" LONG BOLTS - (10 TOTAL) ATTACHES LEGS TO RECEIVER. 3/8" NUTS (10 TOTAL). 3/8" WASHERS (20 TOTAL)
- 5 TERMINAL BLOCK FOR 2 WIRE 24 VOLT INTERLOCK CONNECTION BETWEEN LIEBERT® XDC UNIT AND LIEBERT® CONDENSER.
- 6 CONDENSER LEGS - (5) FIVE LEGS FOR (6) SIX FAN MODELS.
- 7 LIEBERT® LEE TEMP: (A) INSULATED STORAGE RECEIVER - STORAGE RECEIVER (1) PER CIRCUIT. RECEIVER SIZE VARIES. (B) DUAL HEAD PRESSURE CONTROL VALVE ASSEMBLY WITH INTEGRAL CHECK VALVE(S) - (1) ONE PER CIRCUIT (SEE NOTE 14) (C) ROTO LOCK VALVE - (1) ONE PER CIRCUIT, FIELD INSTALLED. (D) PRESSURE RELIEF VALVE - (1) ONE PER CIRCUIT, FIELD INSTALLED. (E) LIQUID LEVEL INDICATOR - (1) PER CIRCUIT, FACTORY INSTALLED ON RECEIVER.

REFER TO SYSTEM DESIGN MANUAL AND USER MANUAL FOR ADDITIONAL DETAIL

GENERAL ARRANGEMENT AIR COOLED XD CHILLER LIEBERT® LEE-TEMP CONTROL

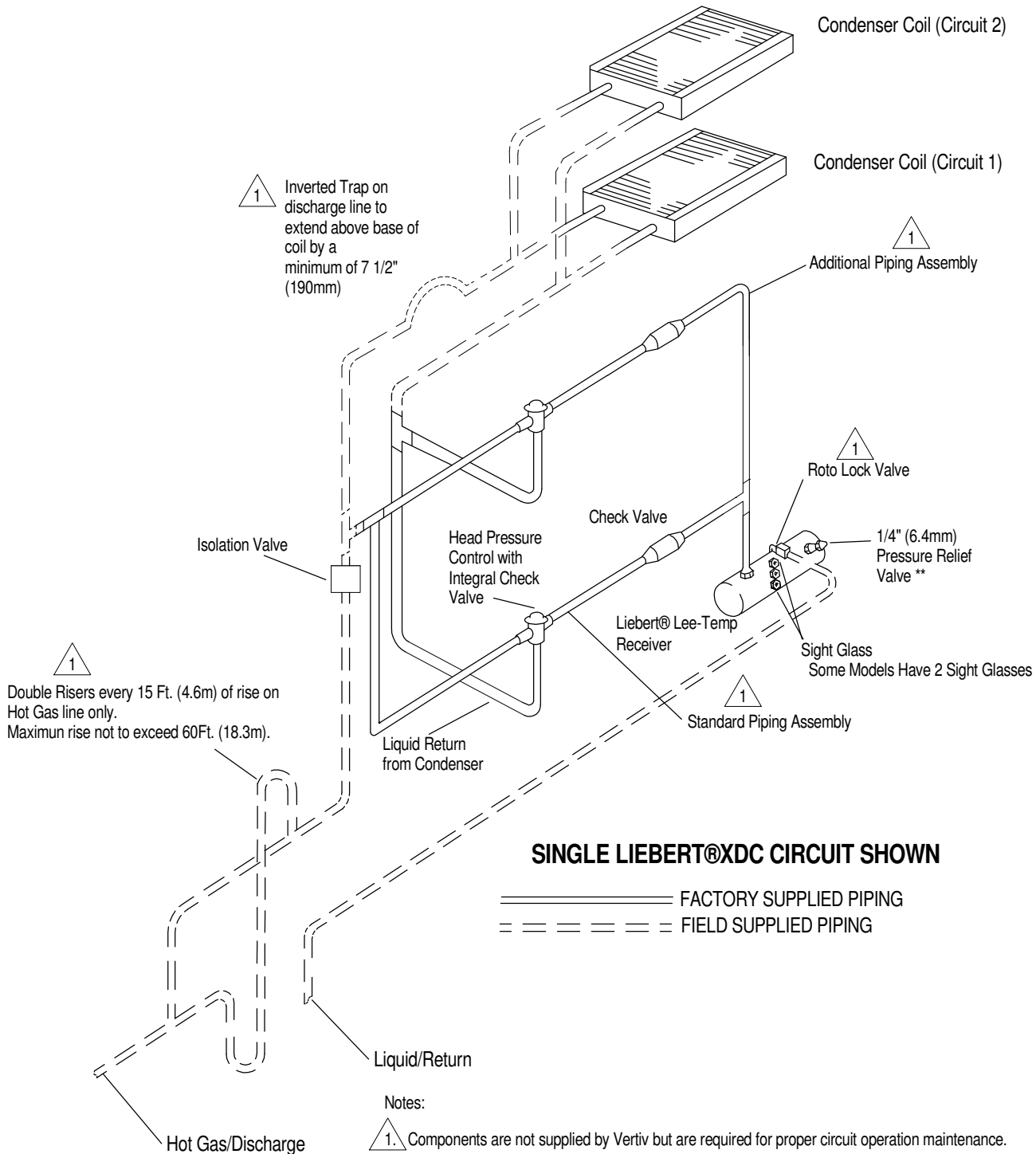


Notes:

- 1.** Components are not supplied by Vertiv but are required for proper circuit operation maintenance.
- 2.** Components supplied by Vertiv and must be field installed.

REFER TO SYSTEM DESIGN MANUAL AND USER MANUAL FOR ADDITIONAL DETAIL

SPECIAL PIPING CONNECTIONS DCSL616 CONNECT THE TWO REFRIGERANT CIRCUITS FOR PARALLEL REFRIGERANT FLOW

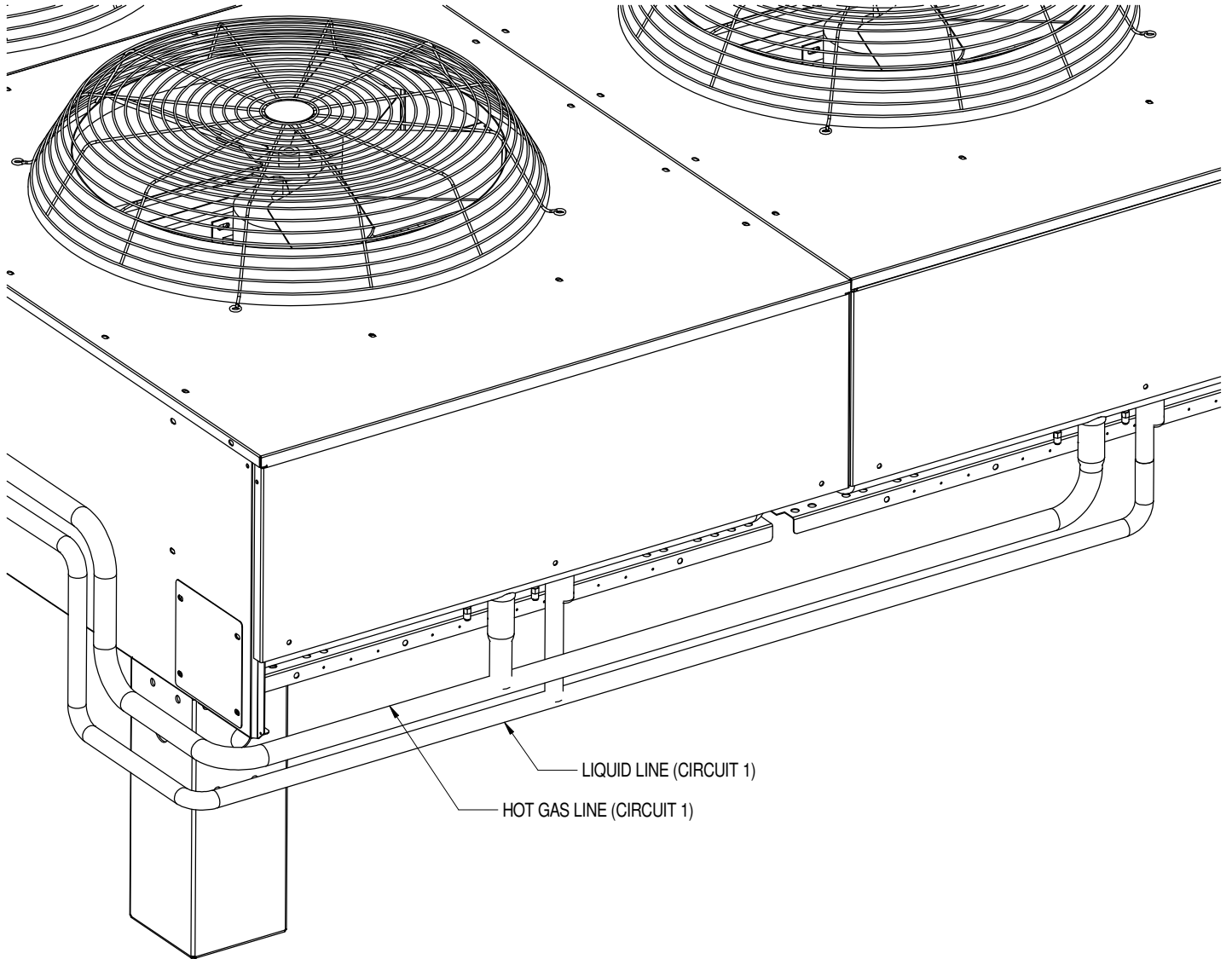


SINGLE LIEBERT®XDC CIRCUIT SHOWN

===== FACTORY SUPPLIED PIPING
 - - - - - FIELD SUPPLIED PIPING

REFER TO SYSTEM DESIGN MANUAL AND USER MANUAL FOR ADDITIONAL DETAIL

SPECIAL PIPING CONNECTIONS DCSL616 SINGLE CIRCUIT SHOWN



CONNECT THE TWO REFRIGERANT COILS FOR PARALLEL
REFRIGERANT FLOW USING FIELD SUPPLIED PIPING

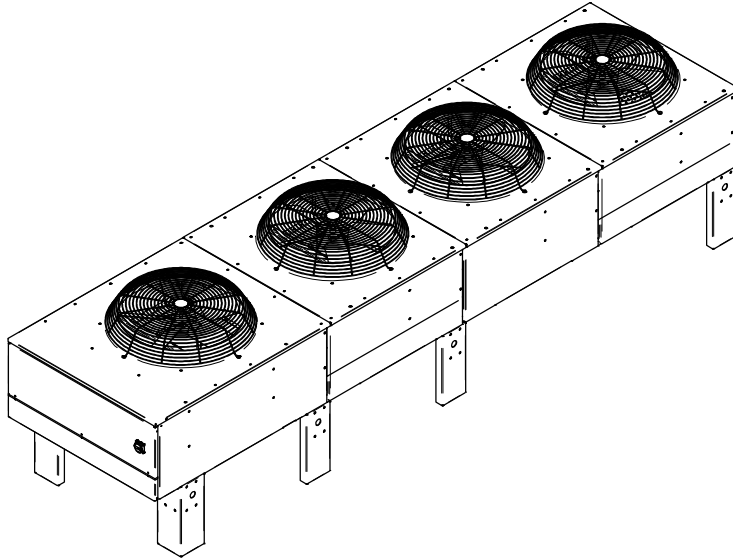
REFRIGERANT LINES ARE TO BE ROUTED AND SECURED TO PREVENT EXCESSIVE VIBRATION AND STRESS AT THE CONNECTIONS.

SEE MOUNTING INSTRUCTIONS LISTED ON PAGE 2.

REFER TO SYSTEM DESIGN MANUAL AND USER MANUAL FOR ADDITIONAL DETAIL

DIMENSIONAL DATA

LIEBERT® LEE-TEMP 4 FAN MODELS



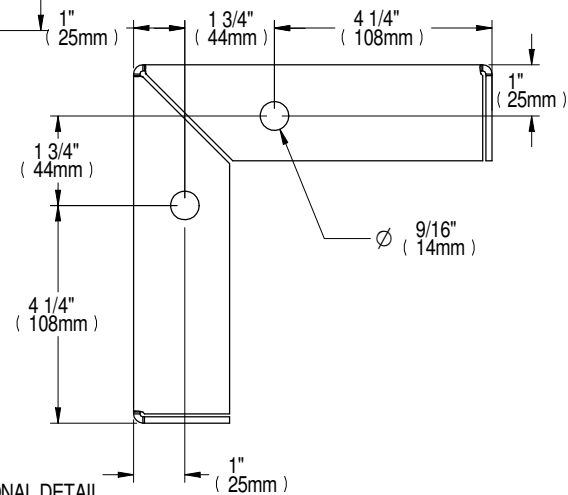
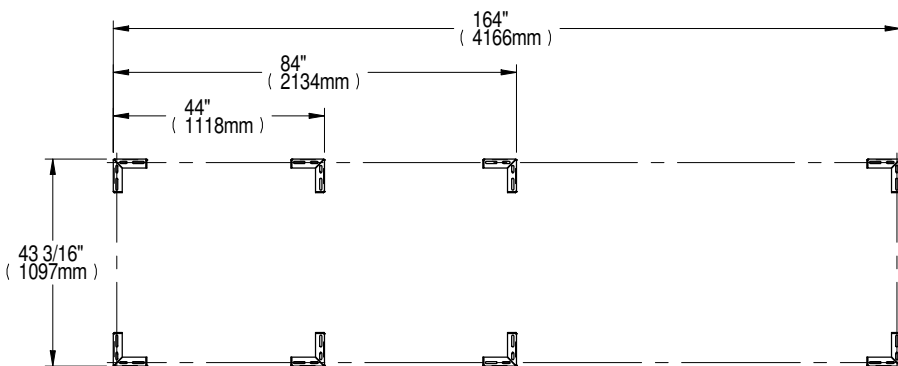
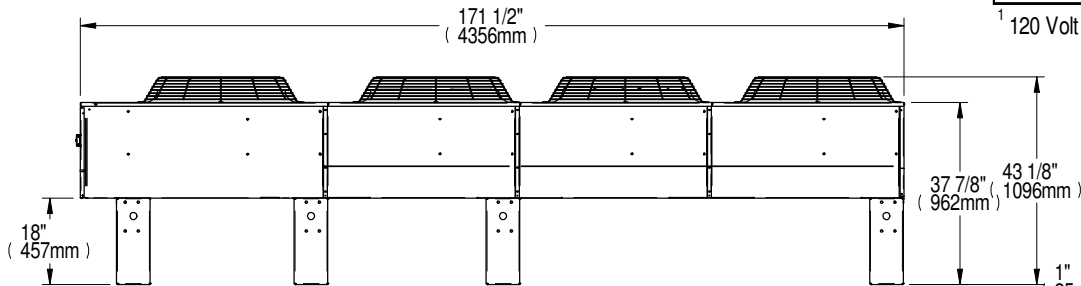
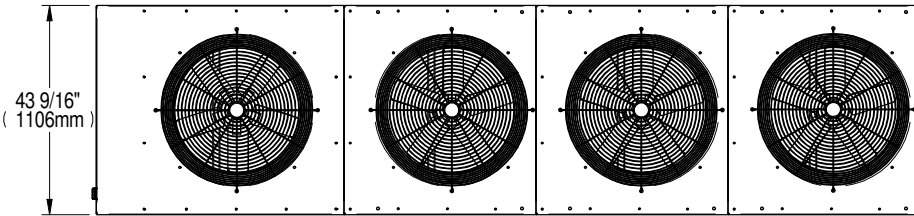
Model Number	DCSL415
Qty of Fans	4
Number of Circuits	1

ODS Connection Size	
Hot Gas	1-5/8
Liquid Line	1-1/8

Net Weight lbs(kg)	1188 (539)
--------------------	------------

Ambient Temp Range	-30 to 100 F (-34 to 38 C)	-
Condenser for Each XDC 160A	2 x DCSL415	-
Receiver Kit for Each XDC 160A	2 x 185010G2HH ¹ 2 x 185010G4HH ²	-
Head Pressure Kit for Each XDC 160A	2 x 179711G1	-

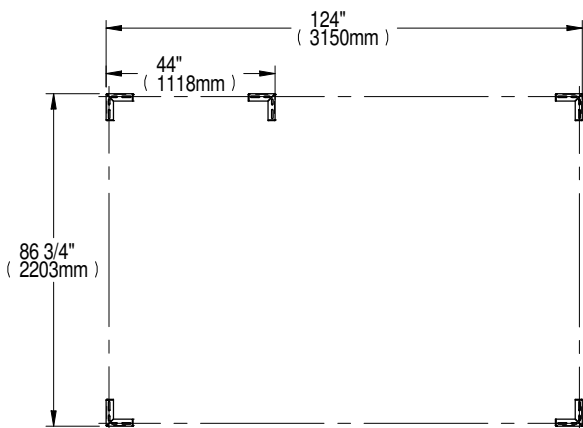
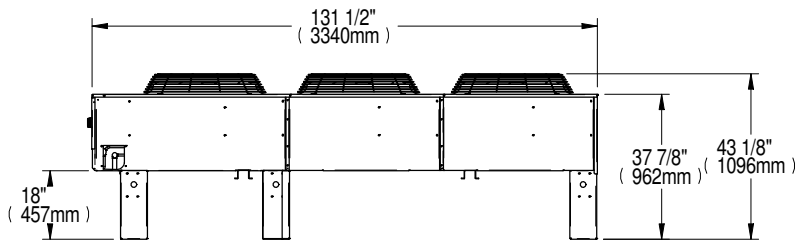
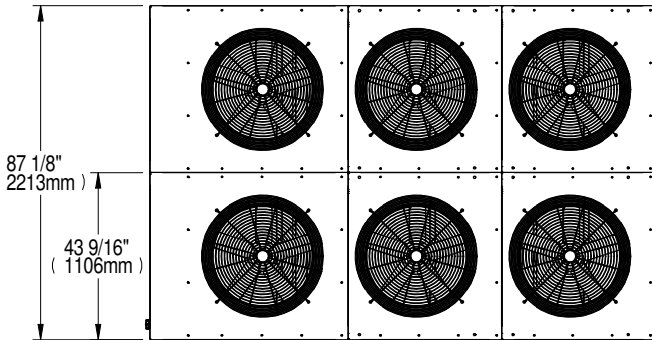
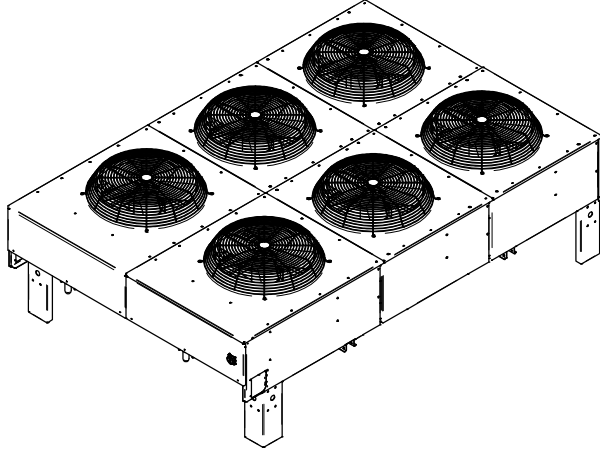
¹ 120 Volt Heater or ² 230 Volt Heater



REFER TO SYSTEM DESIGN MANUAL AND USER MANUAL FOR ADDITIONAL DETAIL

DIMENSIONAL DATA

LIEBERT® LEE-TEMP 6 FAN MODELS



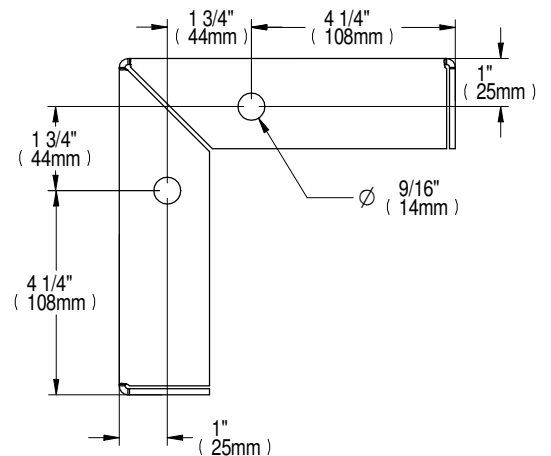
Model Number	DCSL616
Qty of Fans	6
Number of Circuits	1

ODS Connection Size	
Hot Gas	1-5/8
Liquid Line	1-1/8

Net Weight lbs(kg)	1450 (658)
--------------------	------------

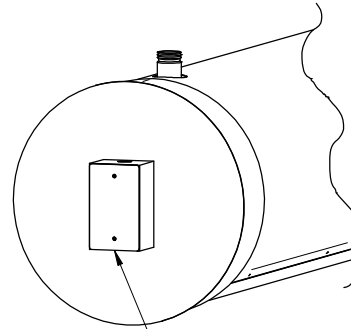
Ambient Temp Range	35 to 105 F (2 to 41 C)	-30 to 105 F (-34 to 41 C)
Condenser for Each XDC160A	2 x DCSL616	2 x DCSL616
Receiver Kit for Each XDC160A	2 x 181610G2HH ¹ 2 x 181610G4HH ²	1 x 179713G1HH ¹ 1 x 179713G3HH ²
Head Pressure Kit for Each XDC160A	2 x 179711G1	2 x 179711G2

¹ 120 Volt Heater or ² 230 Volt Heater



REFER TO SYSTEM DESIGN MANUAL AND USER MANUAL FOR ADDITIONAL DETAIL

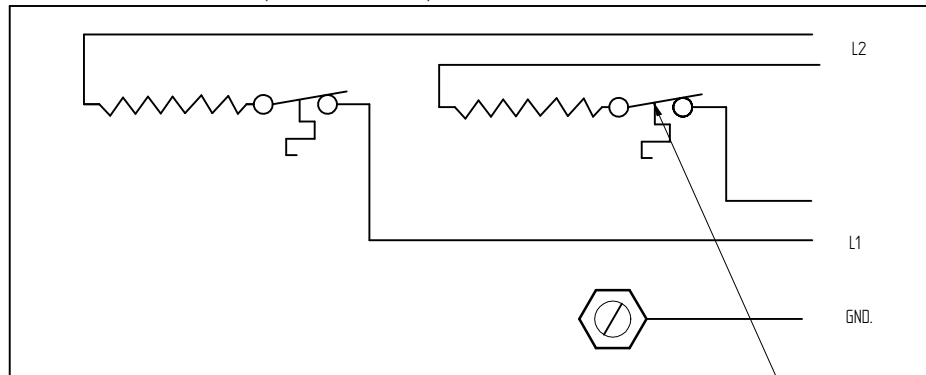
PAD WIRING LIEBERT® LEE-TEMP HEATER



VOLTS	
<input type="checkbox"/> 115	1 PHASE 50/60Hz
<input type="checkbox"/> 200/208/230	1 PHASE 50/60Hz

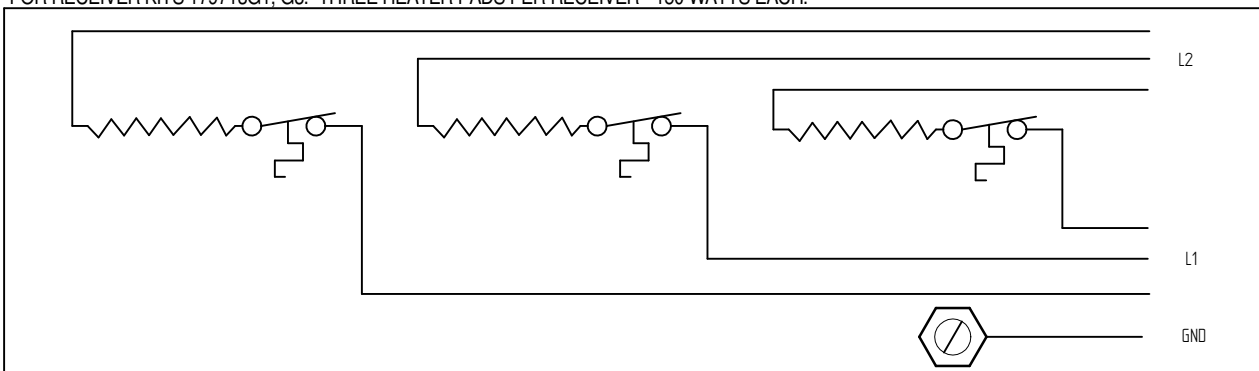
HEATER PAD WIRING ACCESS

FOR RECEIVER KITS 185010G2, G4 AND 181610G2, G4. TWO HEATER PADS PER RECEIVER - 150 WATTS EACH.



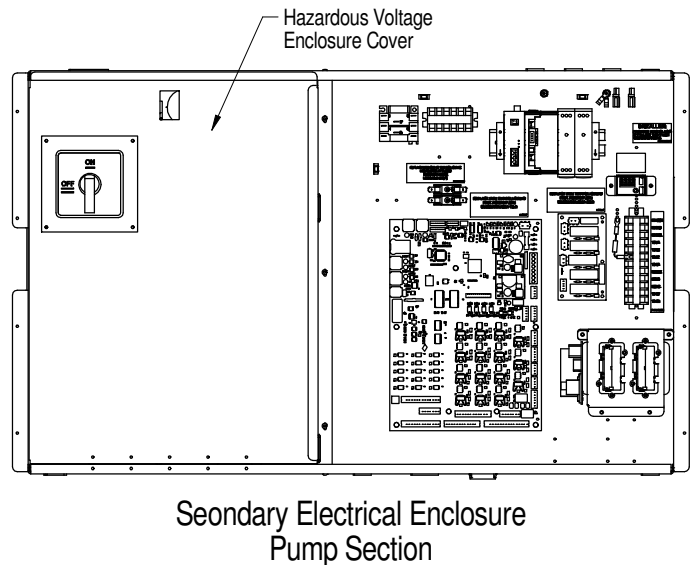
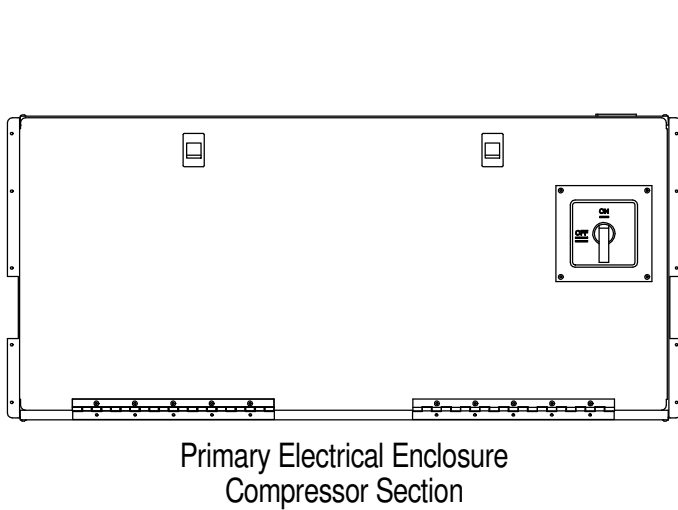
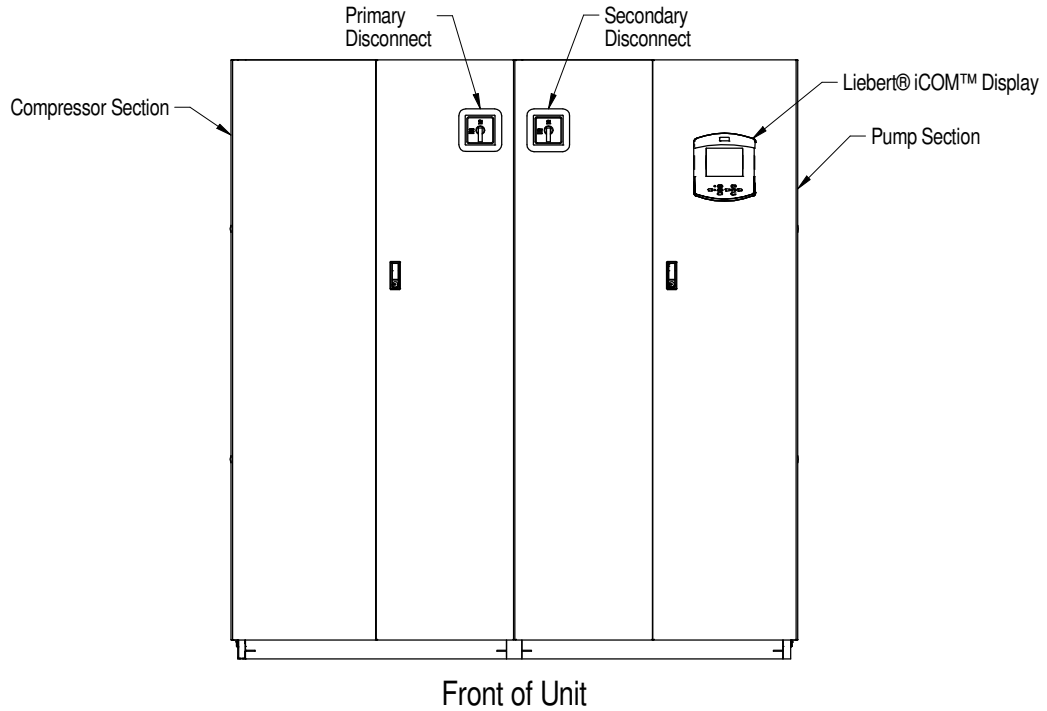
HI LIMIT THERMOSTAT
TYPICAL

FOR RECEIVER KITS 179713G1, G3. THREE HEATER PADS PER RECEIVER - 150 WATTS EACH.



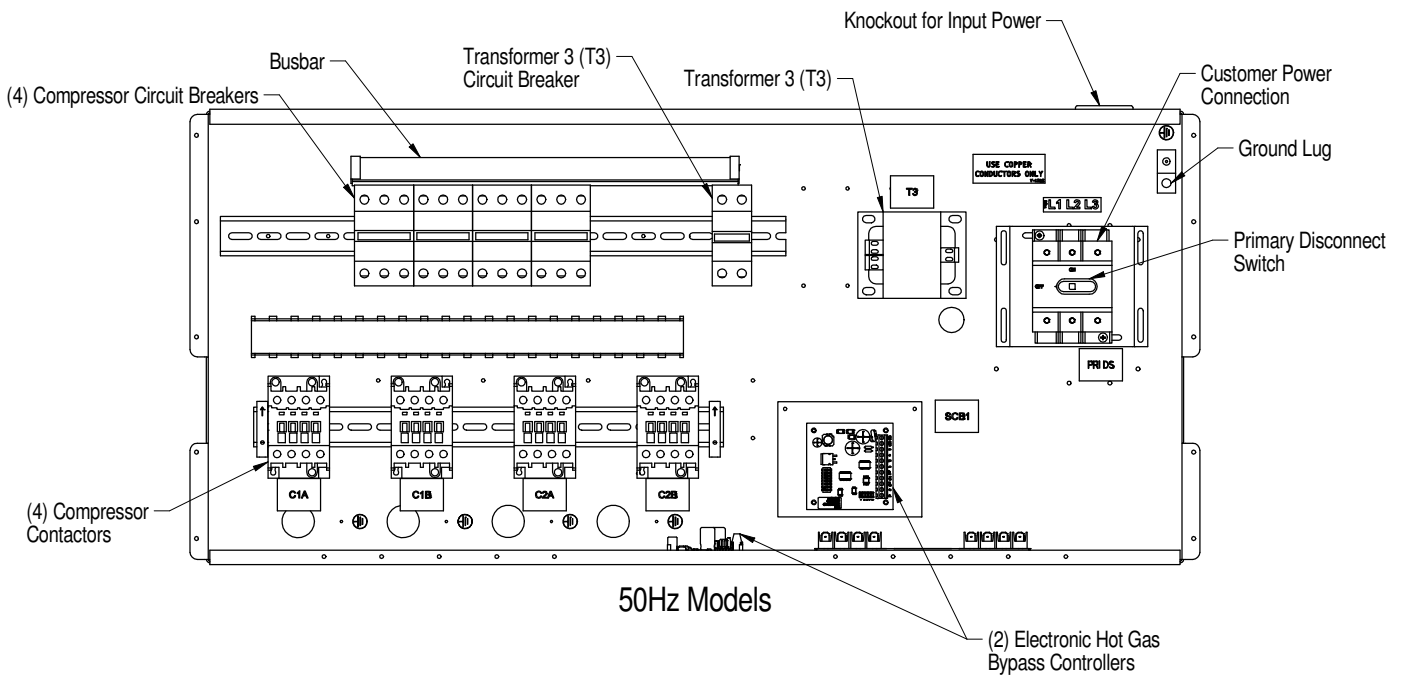
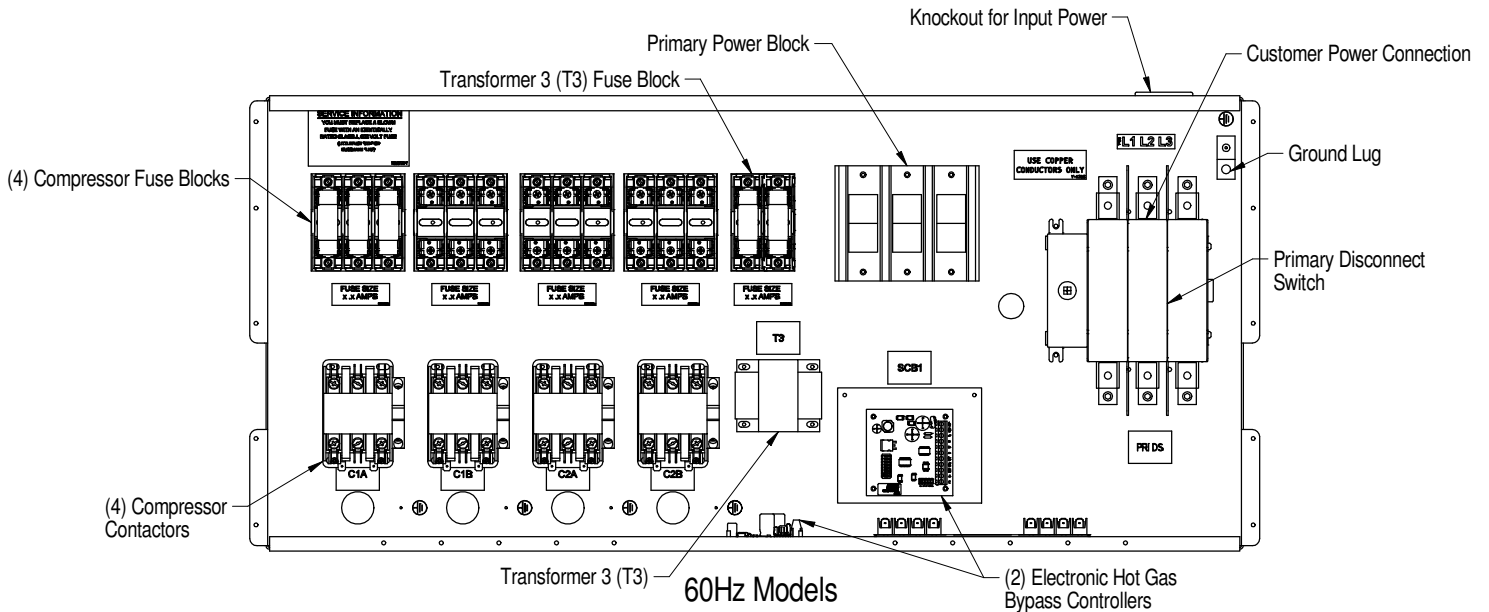
REFER TO SYSTEM DESIGN MANUAL AND USER MANUAL FOR ADDITIONAL DETAIL

ELECTRICAL ENCLOSURE LOCATION PRIMARY & SECONDARY ENCLOSURES



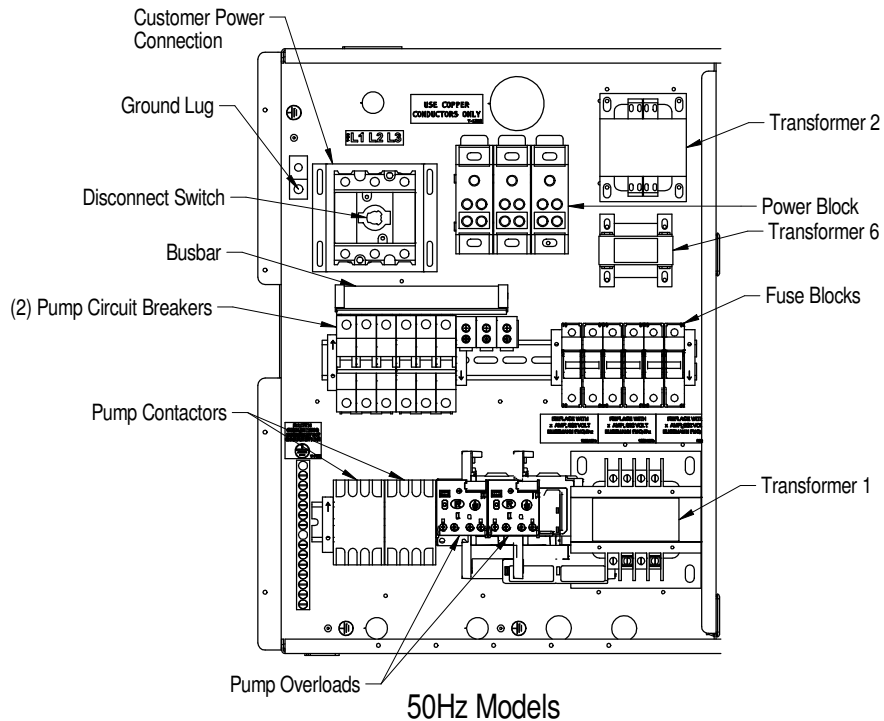
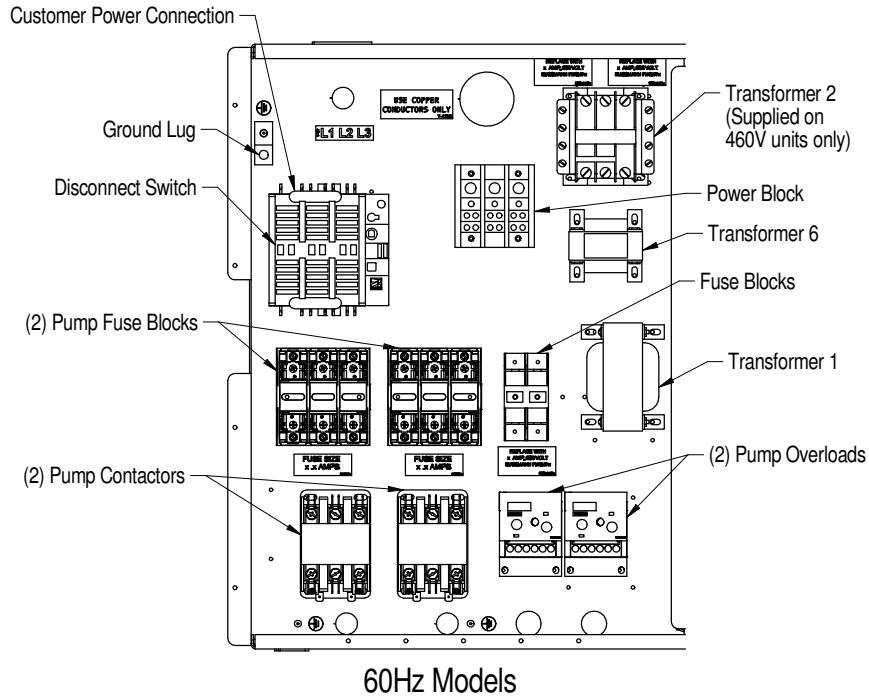
REFER TO SYSTEM DESIGN MANUAL AND USER MANUAL FOR ADDITIONAL DETAIL

CONNECTION LOCATIONS HIGH VOLTAGE 60Hz, 50Hz



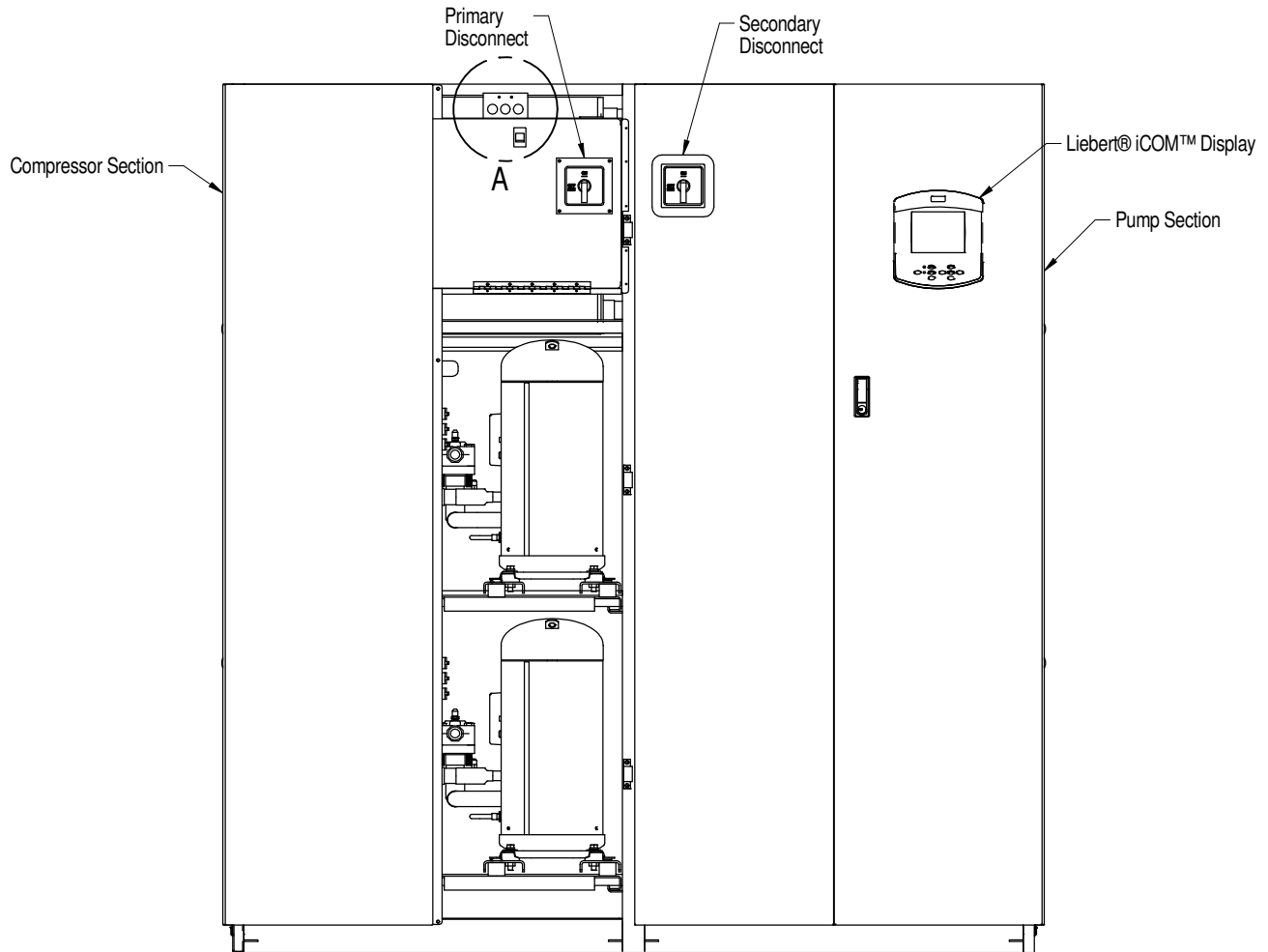
REFER TO SYSTEM DESIGN MANUAL AND USER MANUAL FOR ADDITIONAL DETAIL

HIGH VOLTAGE CONNECTION LOCATIONS SECONDARY DISCONNECT 60Hz, 50Hz

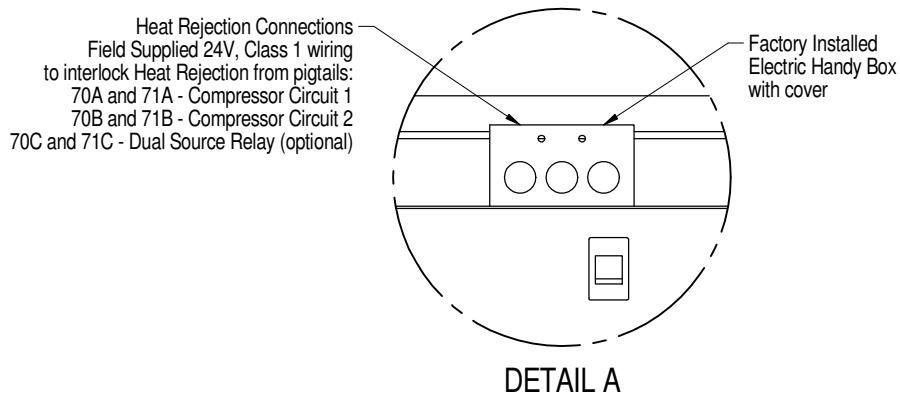


REFER TO SYSTEM DESIGN MANUAL AND USER MANUAL FOR ADDITIONAL DETAIL

CONNECTION LOCATIONS HEAT REJECTION

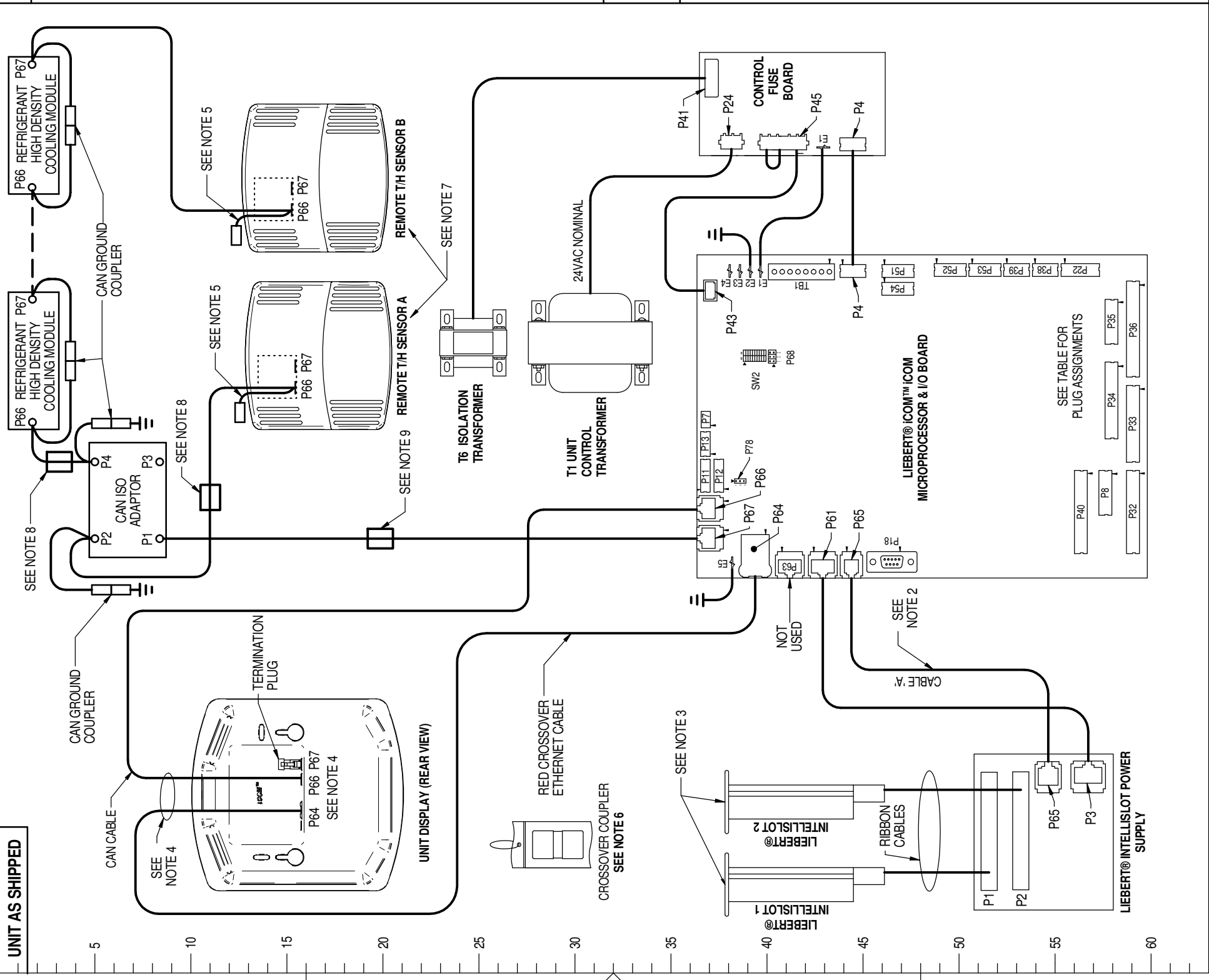
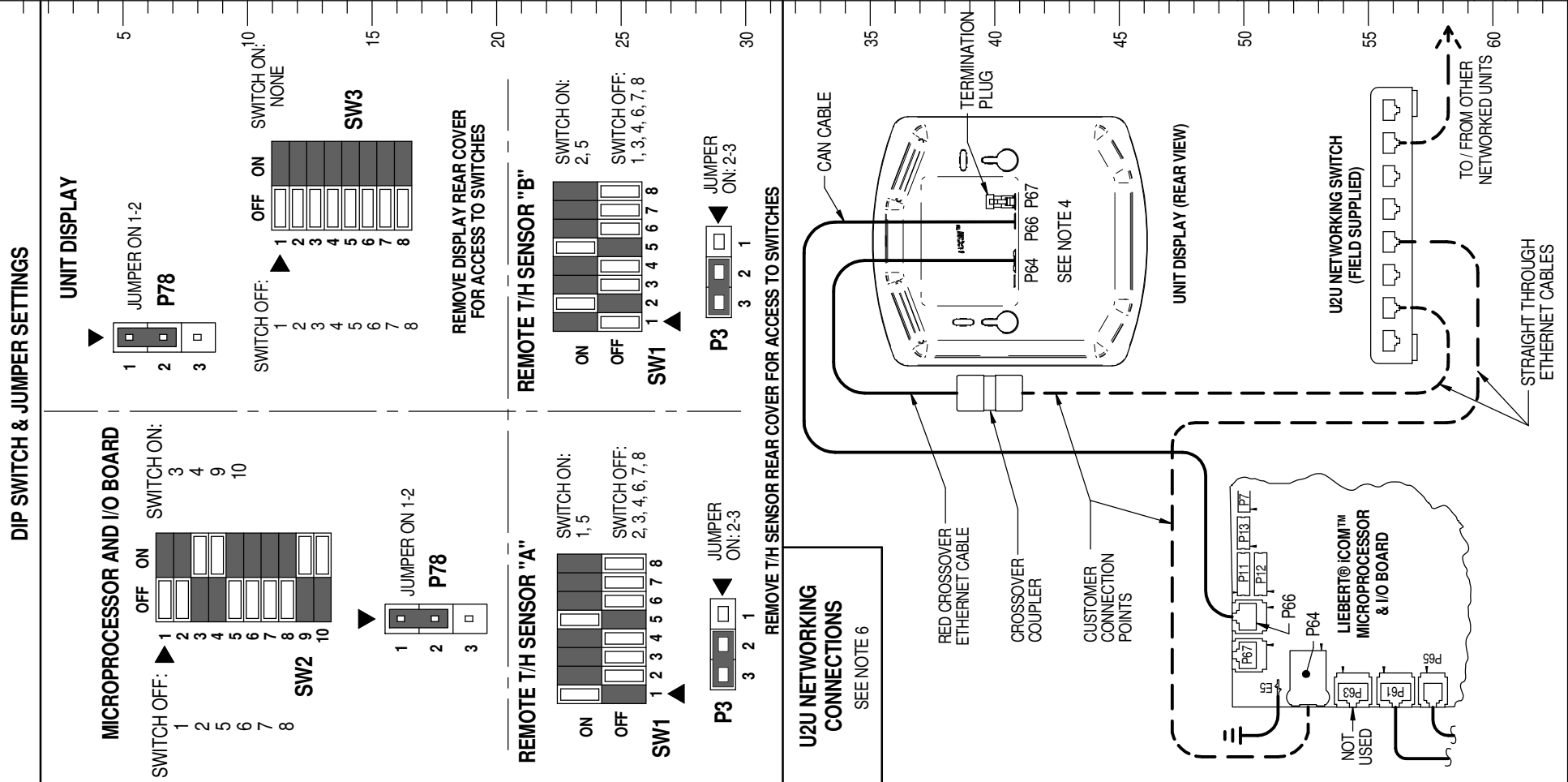
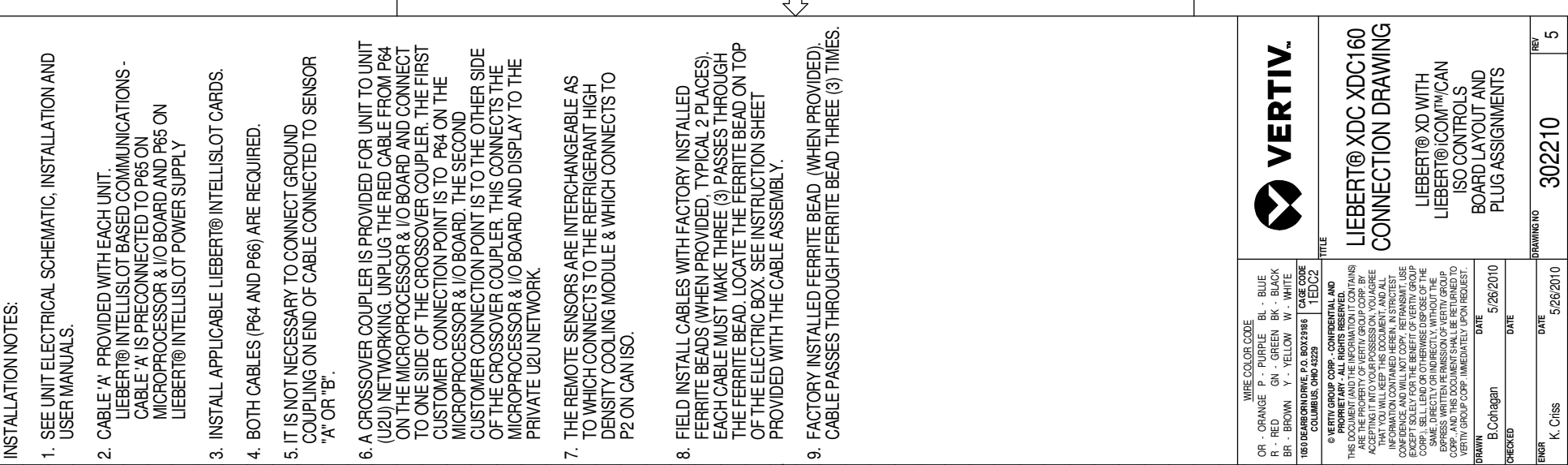


Front of Unit
(Panel removed for clarity)



REFER TO SYSTEM DESIGN MANUAL AND USER MANUAL FOR ADDITIONAL DETAIL

1 2 3 4 5 6 7 8



5 10 15 20 25 30 35 40 45 50 55 60

1 2 3 4 5

INSTALLATION NOTES:

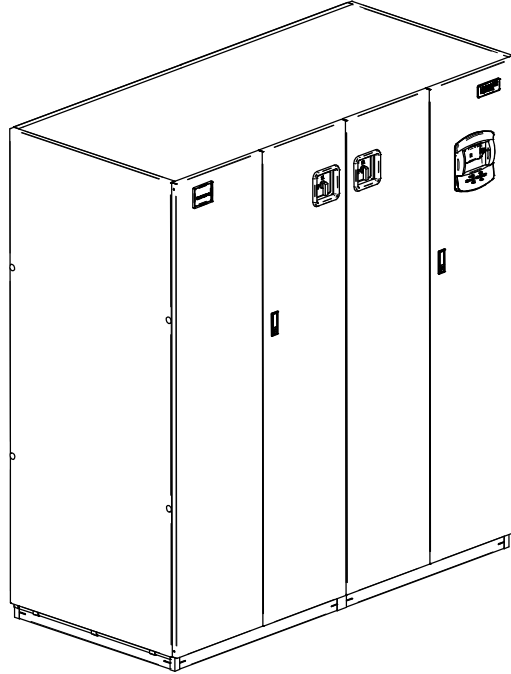
- SEE UNIT ELECTRICAL SCHEMATIC, INSTALLATION AND USER MANUALS.
- CABLE 'A' PROVIDED WITH EACH UNIT. LIEBERT® INTELLISLOT BASED COMMUNICATIONS - CABLE 'A' IS PRECONNECTED TO P65 ON MICROPROCESSOR & I/O BOARD AND P65 ON LIEBERT® INTELLISLOT POWER SUPPLY
- INSTALL APPLICABLE LIEBERT® INTELLISLOT CARDS.
- BOTH CABLES (P64 AND P66) ARE REQUIRED.
- IT IS NOT NECESSARY TO CONNECT GROUND COUPLING ON END OF CABLE CONNECTED TO SENSOR "A" OR "B".
- A CROSSOVER COUPLER IS PROVIDED FOR UNIT TO UNIT (U2U) NETWORKING. UNPLUG THE RED CABLE FROM P64 ON THE MICROPROCESSOR & I/O BOARD AND CONNECT TO ONE SIDE OF THE CROSSOVER COUPLER. THE FIRST CUSTOMER CONNECTION POINT IS TO P64 ON THE MICROPROCESSOR & I/O BOARD. THE SECOND CUSTOMER CONNECTION POINT IS TO THE OTHER SIDE OF THE CROSSOVER COUPLER. THIS CONNECTS THE MICROPROCESSOR & I/O BOARD AND DISPLAY TO THE PRIVATE U2U NETWORK.
- THE REMOTE SENSORS ARE INTERCHANGEABLE AS TO WHICH CONNECTS TO THE REFRIGERANT HIGH DENSITY COOLING MODULE & WHICH CONNECTS TO P2 ON CAN ISO.
- FIELD INSTALL CABLES WITH FACTORY INSTALLED FERRITE BEADS (WHEN PROVIDED; TYPICAL 2 PLACES). EACH CABLE MUST MAKE THREE (3) PASSES THROUGH THE FERRITE BEAD. LOCATE THE FERRITE BEAD ON TOP OF THE ELECTRIC BOX. SEE INSTRUCTION SHEET PROVIDED WITH THE CABLE ASSEMBLY.
- FACTORY INSTALLED FERRITE BEAD (WHEN PROVIDED). CABLE PASSES THROUGH FERRITE BEAD THREE (3) TIMES.

TITLE LIEBERT® XDC XDC160 CONNECTION DRAWING	
LIEBERT® XD WITH LIEBERT® ICOM™ CAN ISO CONTROLS BOARD LAYOUT AND PLUG ASSIGNMENTS	
WIRE COLOR CODE OR - ORANGE P - PURPLE BL - BLUE R - RED GN - GREEN BK - BLACK BR - BROWN Y - YELLOW W - WHITE	CAGE CODE 1860 DEARBORN DRIVE, P.O. BOX 2888 COLUMBIUS, OHIO 43029
© VERTIV GROUP CORP. - CONFIDENTIAL AND PROPRIETARY. ALL RIGHTS RESERVED. THIS IS THE PROPERTY OF VERTIV GROUP CORP. BY ACCEPTING IT INTO YOUR POSSESSION, YOU AGREE THAT YOU WILL KEEP THIS DOCUMENT, AND ALL INFORMATION CONTAINED HEREIN, IN STRICT CONFIDENCE AND WILL NOT COPY, REPRODUCE, USE EXCEPT SOLELY FOR THE BENEFIT OF VERTIV GROUP CORP., SELL, LEND OR OTHERWISE DISPOSE OF THE DOCUMENT OR INFORMATION CONTAINED HEREIN WITHOUT THE WRITTEN PERMISSION OF VERTIV GROUP CORP. AND THIS DOCUMENT SHALL BE RETURNED TO VERTIV GROUP CORP. IMMEDIATELY UPON REQUEST.	
DRAWN B. Cochran	DATE 5/26/2010
CHECKED	DATE
ENGR K. Criss	DATE 5/26/2010
DRAWING NO 302210	REV 5



LIEBERT® XD

STANDARD FEATURES CHILLER W/ LIEBERT® iCOM™ CONTROLS



TANDEM COMPRESSORS - Scroll with a suction gas cooled motor, vibration isolators, thermal overloads, manual reset high-pressure switch and pump down low-pressure switch.

REFRIGERATION SYSTEM - Dual R-407C refrigeration circuits each including liquid line filter dryers, refrigerant sight glass with moisture indicator, electronic control valve, adjustable externally equalized expansion valves and liquid line solenoid valves.

HEAT EXCHANGER - Brazed plate design with interwoven circuiting constructed of stainless steel plates, copper brazed.

PUMPS - Centrifugal type. Uses R-134a.

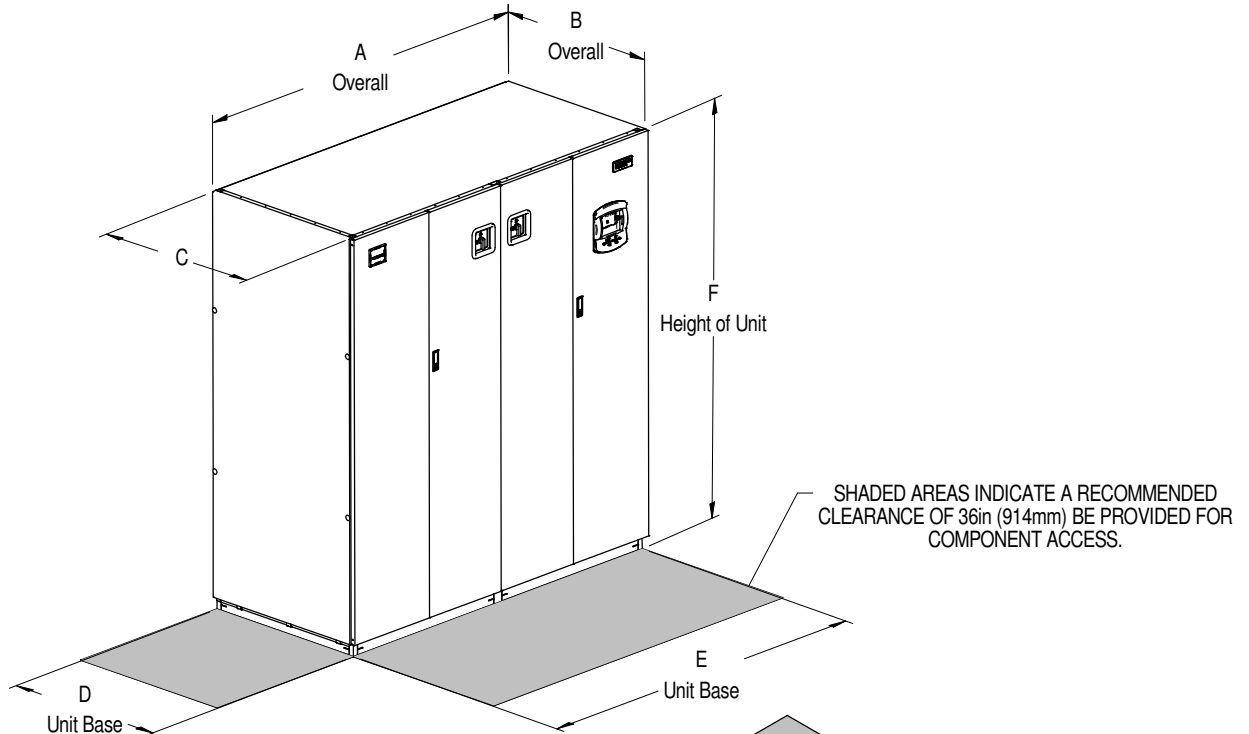
STANDARD CONTROL PROCESSOR - The standard control system is microprocessor-based with an external LCD numerical display to allow observation of specified settable functions. Normal operating conditions are indicated on the LCD display panel, which is mounted to the unit. The control system also monitors unit operation and activates an alarm when any of the specified factory preset conditions are exceeded.

CABINET AND FRAME - Custom powder painted steel panels. A hinged control access panel opens to a second front panel, which is a protected enclosure for all high voltage components. Frame is constructed of 14 gauge welded tubular steel and painted using an auto-deposition coating system.

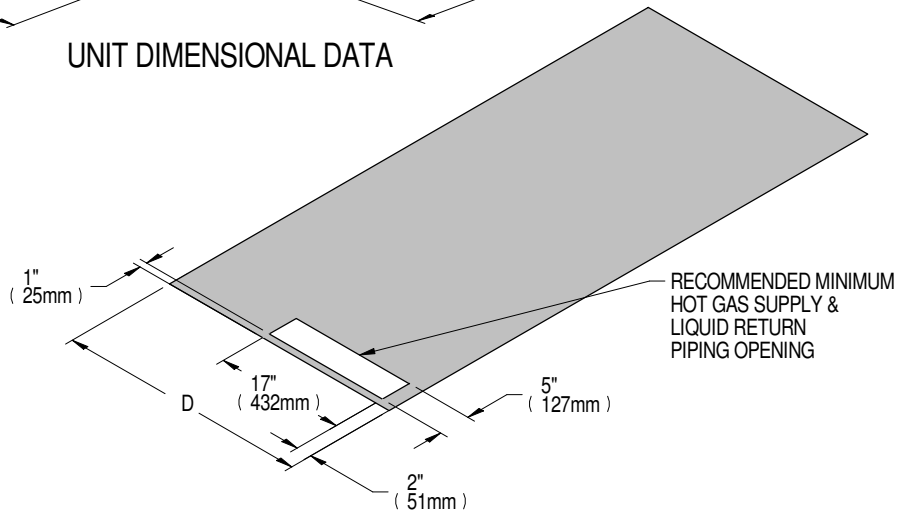
CANBUS ISOLATOR - Electrically isolates external CANBUS from internal CANBUS. Allows for greater total length of external CANBUS cables.

REFER TO SYSTEM DESIGN MANUAL AND USER MANUAL FOR ADDITIONAL DETAIL

CABINET DIMENSIONAL DATA CHILLER W/ LIEBERT® iCOM™ CONTROLS



UNIT DIMENSIONAL DATA



FLOOR CUTOUT DIMENSIONS

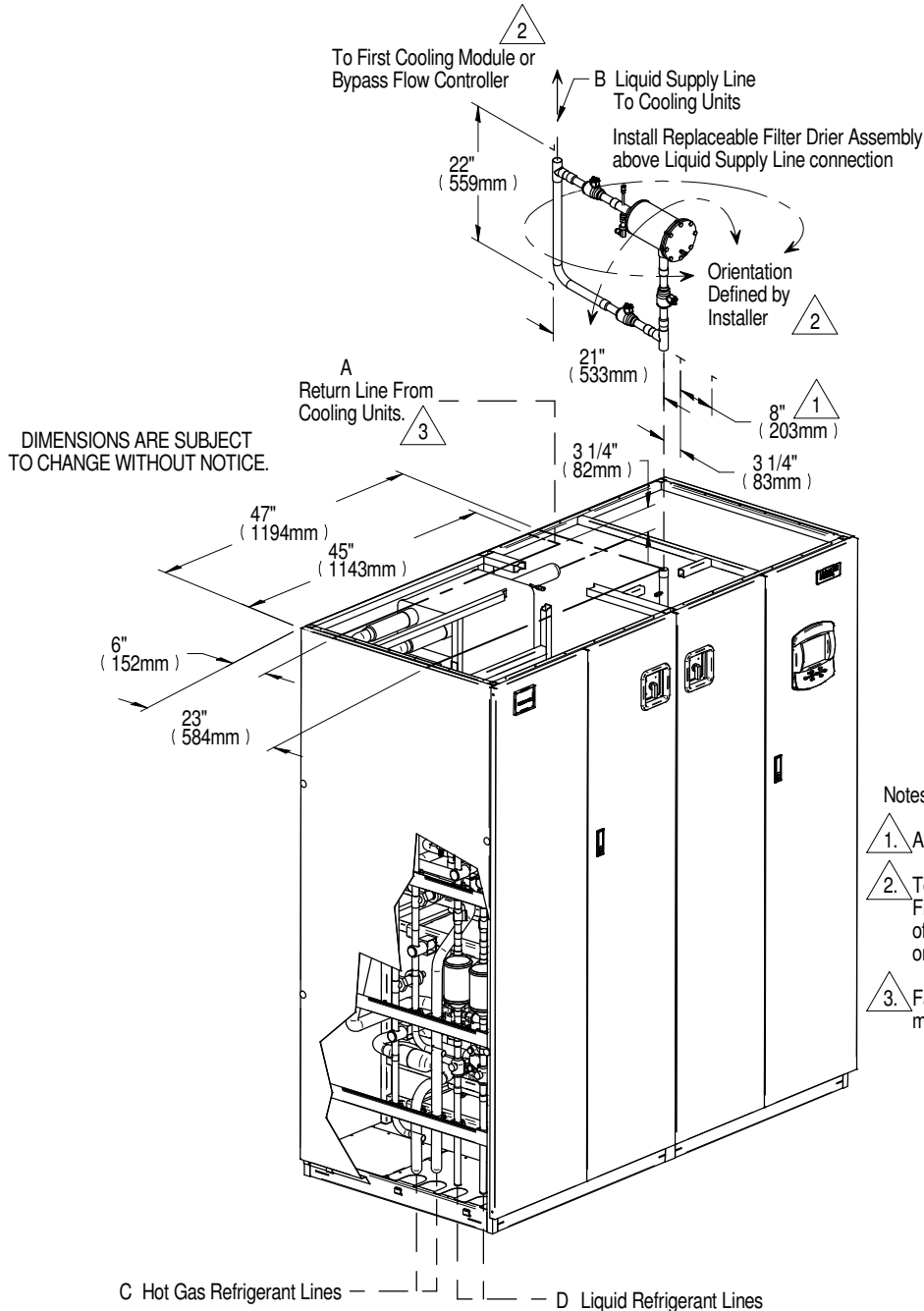
	DIMENSIONAL DATA in. (mm)						SHIPPED WEIGHT lbs (kg)	
	A	B ¹	C	D	E	F	DOM.	EXPORT
50/60 HZ								
XDC160	74 (1880)	34 (864)	33-1/8 (841)	33 (838)	72 (1829)	78 (1981)	1975 (896)	2109 (957)

Notes:

1. Dimension Does Not Include the Bezel of the Disconnect Switch or iCOM Display.

REFER TO SYSTEM DESIGN MANUAL AND USER MANUAL FOR ADDITIONAL DETAIL

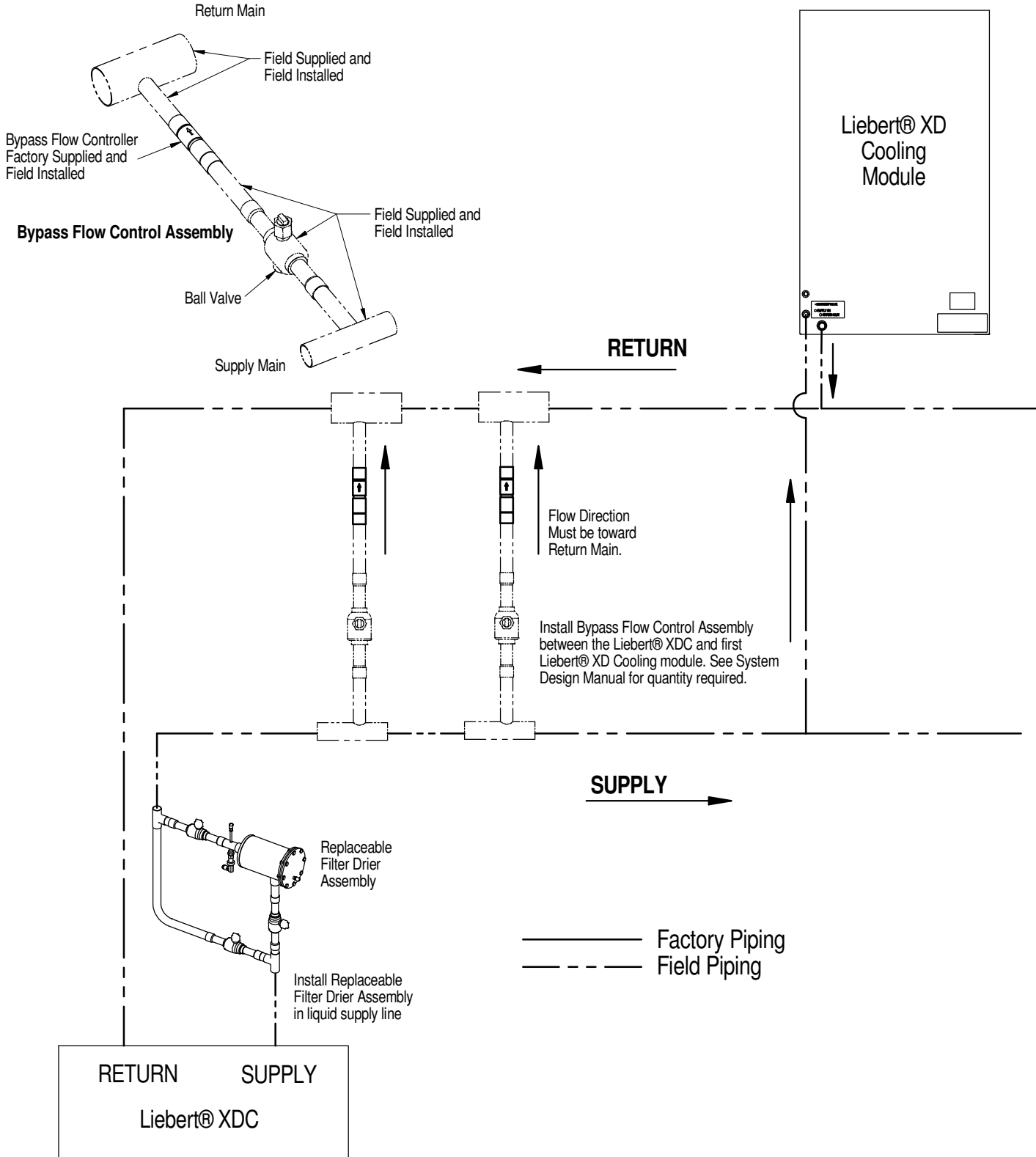
PIPING CONNECTIONS CHILLER W/ iCOM CONTROLS



Unit Piping Outlet Connection Sizes OD Cu, in.				
50/60Hz	A 3	B 2	C	D
XDC160	2-1/8	1-1/8	1-3/8	7/8

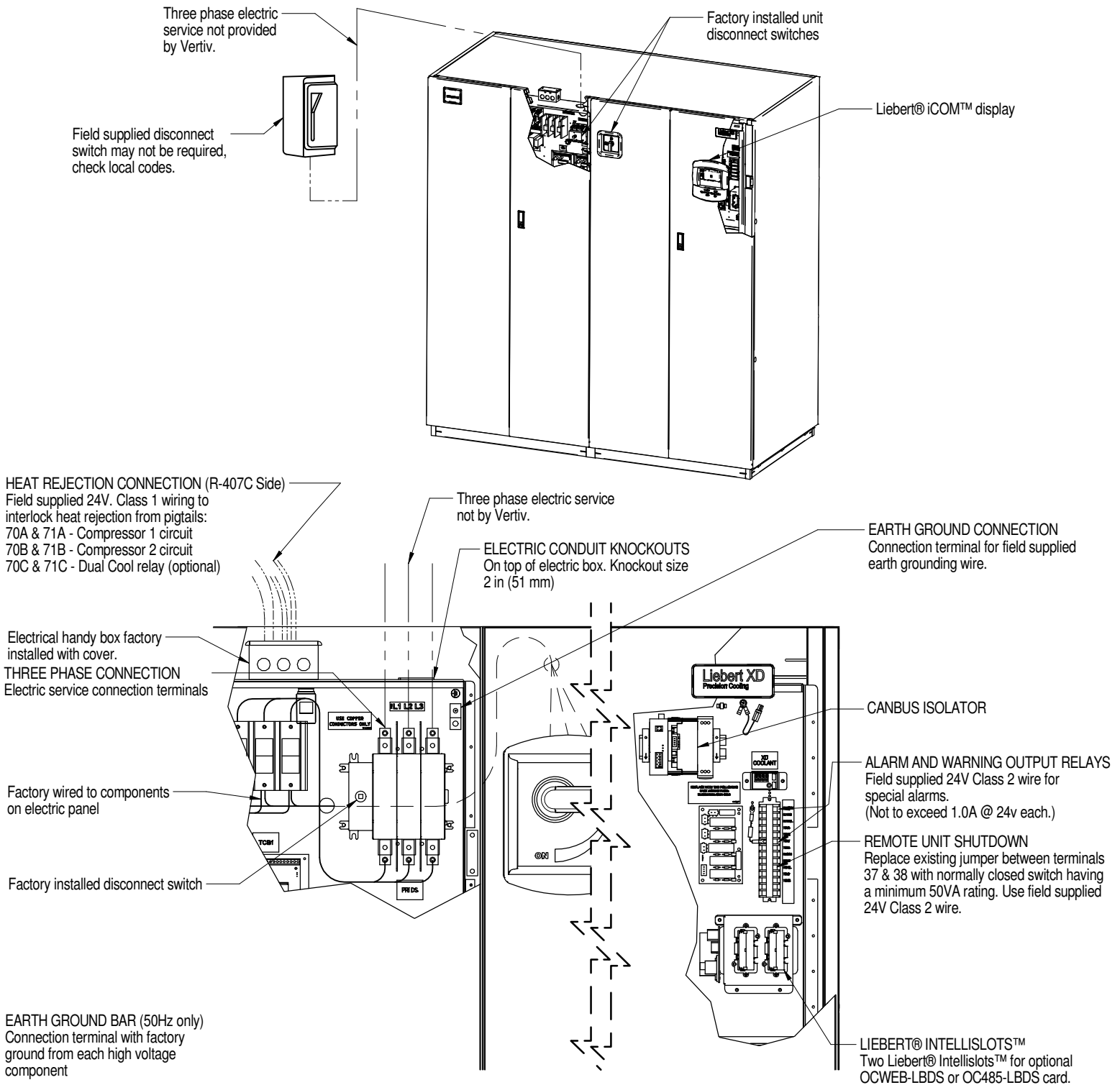
REFER TO SYSTEM DESIGN MANUAL AND USER MANUAL FOR ADDITIONAL DETAIL

GENERAL ARRANGEMENT BYPASS FLOW CONTROL



REFER TO SYSTEM DESIGN MANUAL AND USER MANUAL FOR ADDITIONAL DETAIL

ELECTRICAL FIELD CONNECTIONS CHILLER W/ iCOM CONTROLS



60HZ COMPONENTS SHOWN

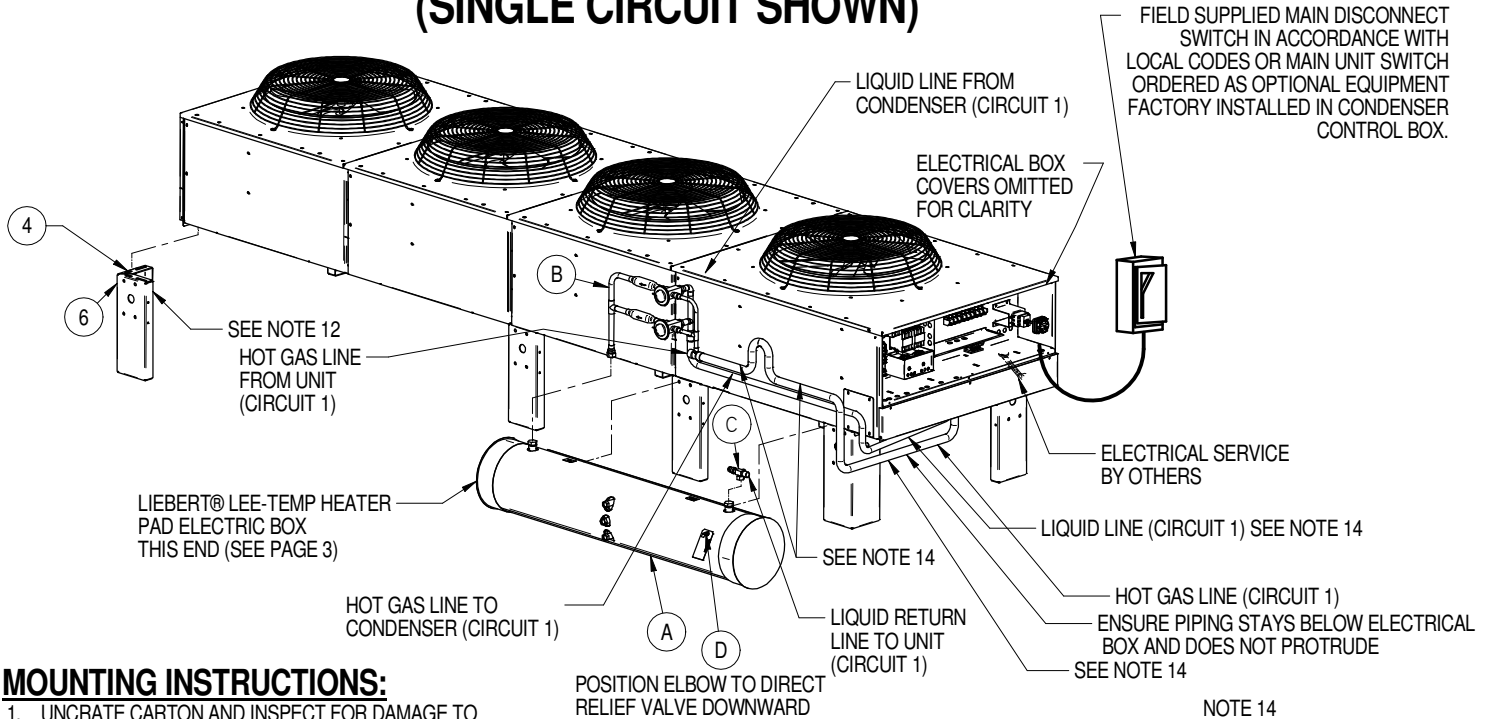
NOTE: Refer to specification sheet for full load amp. and wire size amp. ratings.

REFER TO SYSTEM DESIGN MANUAL AND USER MANUAL FOR ADDITIONAL DETAIL

INSTALLATION DATA

R-407C - LIEBERT® LEE-TEMP DC SL415 STANDARD 4 FAN

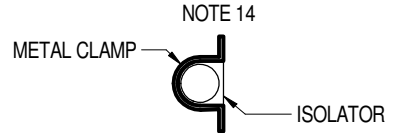
(SINGLE CIRCUIT SHOWN)



MOUNTING INSTRUCTIONS:

1. UNCRATE CARTON AND INSPECT FOR DAMAGE TO CONDENSER AND CONDENSER CONTROL PANEL.
2. ASSEMBLE LEGS PER INSTRUCTIONS AS SHOWN.
3. DOUBLE RISERS ARE REQUIRED WHEN HOT GAS VERTICAL RISE IS 15 ft (4.6m) OR MORE. REFER TO XDC USER MANUAL FOR DOUBLE RISER DETAILS.
4. WIRE ACCORDING TO ELECTRICAL DIAGRAM ON INSIDE OF CONDENSER CONTROL BOX AND IN ACCORDANCE WITH ALL LOCAL CODES.
5. ALL CONDENSER LOCATIONS MORE THAN 200FT. (61m) OF EQUIVALENT PIPING LENGTH AWAY FROM LIEBERT® XDC UNIT MUST CONSULT FACTORY FOR SPECIAL PIPING CONSIDERATIONS.
6. FIELD TO SIZE REFRIGERANT LINES SO AS NOT TO EXCEED 2° F (1.1°C) SATURATION LOSS FOR TOTAL EQUIVALENT LENGTH (DO NOT USE CONNECTION SIZES TO DETERMINE LINE SIZES).
7. CONDENSER MUST BE INSTALLED ABOVE OR AT THE SAME LEVEL AS THE LIEBERT XDC UNIT.
8. DO NOT RUN PIPING OR WIRING IN THE PATH OF AIR FLOW AS THIS WILL HAMPER THE SYSTEM PERFORMANCE.
9. INSTALL FIELD SUPPLIED INVERTED TRAPS ON HOT GAS LINES BETWEEN CONDENSER AND FIELD PIPING.
10. ALL OTHER PIPING FIELD SUPPLIED AND CONNECTED.
11. INVERTED TRAPS MUST BE INSTALLED TO ALLOW PROPER CLEARANCE TO FULLY OPEN CONDENSER CONTROL BOX DOOR AND IN ACCORDANCE WITH LOCAL ELECTRIC CODES.
12. SECURE LIEBERT® LEE-TEMP RECEIVER ASSEMBLY AND EACH LEG TO CONDENSER FRAME USING HARDWARE PROVIDED. RECEIVER CAN BE MOUNTED ON EITHER SIDE OF THE CONDENSER.
13. LIEBERT® LEE-TEMP ITEM (B) IS SHIPPED AS A PRE-PIPED ASSEMBLY SHIPPED LOOSE FOR FIELD INSTALLATION. ITEM (C) IS SHIPPED LOOSE FOR FIELD INSTALLATION.
14. FASTEN LIQUID AND HOT GAS LINES USING FLAT SURFACE CLAMPS WITH ISOLATORS (FIELD PROVIDED). SUPPORT FIELD PIPING SEPARATELY TO AVOID COIL DAMAGE AND LOSS OF CHARGE.
15. RELIEVE PRESSURE AT ACCESS PORT. REPLACE ACCESS PORT FITTING WITH RELIEF VALVE BEFORE CHARGING SYSTEM.

REFER TO SYSTEM DESIGN MANUAL AND USER MANUAL FOR ADDITIONAL DETAIL

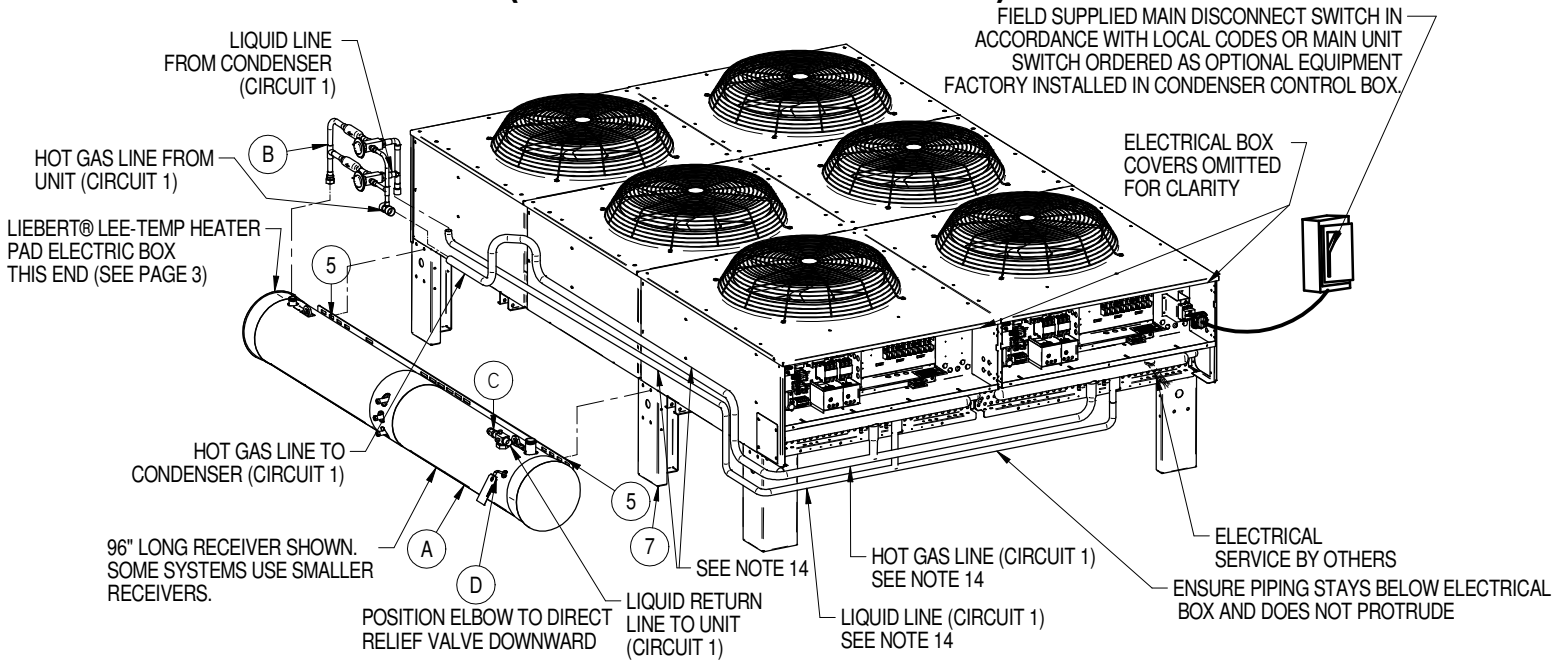


MATERIALS SUPPLIED BY VERTIV

- 1 BUILT IN CONDENSER CONTROL BOX. SEE ELECTRICAL DRAWING FOR DETAILS AND FIELD WIRING.
- 2 AIR COOLED CONDENSER.
- 3 PIPING ACCESS COVER TO BE REINSTALLED WHEN PIPING IS COMPLETED.
- 4 BOLTS - (4 PER LEG) 3/8" (9.5mm) - (16) SIXTEEN 5/8" (15.9mm)
- 5 TERMINAL BLOCK FOR 2 WIRE 24 VOLT INTERLOCK CONNECTION BETWEEN LIEBERT® XDC UNIT AND LIEBERT® CONDENSER.
- 6 CONDENSER LEGS - (8) EIGHT LEGS FOR (4) FOUR FAN MODELS.
- 7 LIEBERT® LEE TEMP: (A) INSULATED STORAGE RECEIVER - STORAGE RECEIVER (1) PER CIRCUIT. 5 FOOT LONG RECEIVER IS STANDARD.
(B) DUAL HEAD PRESSURE CONTROL VALVE ASSEMBLY WITH INTEGRAL CHECK VALVE(S) - (1) ONE PER CIRCUIT (SEE NOTE 13)
(C) ROTO LOCK VALVE - (1) ONE PER CIRCUIT, FIELD INSTALLED.
(D) PRESSURE RELIEF VALVE - (1) ONE PER CIRCUIT, FIELD INSTALLED.
(E) LIQUID LEVEL INDICATOR - (1) PER CIRCUIT, FACTORY INSTALLED ON RECEIVER.
- 8 BOLTS - LIEBERT® LEE-TEMP 3/8" (9.5mm)

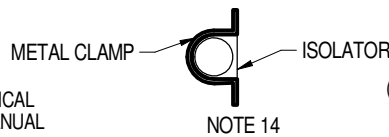
INSTALLATION DATA

LIEBERT® LEE-TEMP DCSL616 6 FAN HIGH AMBIENT (SINGLE CIRCUIT SHOWN)



MOUNTING INSTRUCTIONS:

1. UNCRATE CARTON AND INSPECT FOR DAMAGE TO CONDENSER AND CONDENSER CONTROL PANEL.
2. ASSEMBLE LEGS PER INSTRUCTIONS AS SHOWN.
3. DOUBLE RISERS ARE REQUIRED WHEN HOT GAS VERTICAL RISE IS 15 ft (4.6m) OR MORE. REFER TO XDC USER MANUAL FOR DOUBLE RISER DETAILS.
4. WIRE ACCORDING TO ELECTRICAL DIAGRAM ON INSIDE OF CONDENSER CONTROL BOX AND IN ACCORDANCE WITH ALL LOCAL CODES.
5. ALL CONDENSER LOCATIONS MORE THAN 200FT. (61m) OF EQUIVALENT PIPING LENGTH AWAY FROM LIEBERT® XDC UNIT MUST CONSULT FACTORY FOR SPECIAL PIPING CONSIDERATIONS.
6. FIELD TO SIZE REFRIGERANT LINES SO AS NOT TO EXCEED 2° F(1.1°C) SATURATION LOSS FOR TOTAL EQUIVALENT LENGTH (DO NOT USE CONNECTION SIZES TO DETERMINE LINE SIZES).
7. CONDENSER MUST BE INSTALLED ABOVE OR AT THE SAME LEVEL AS THE LIEBERT XDC UNIT.
8. DO NOT RUN PIPING OR WIRING IN THE PATH OF AIR FLOW AS THIS WILL HAMPER THE SYSTEM PERFORMANCE.
9. INSTALL FIELD SUPPLIED INVERTED TRAPS ON HOT GAS LINES BETWEEN CONDENSER AND FIELD PIPING.
10. ALL OTHER PIPING FIELD SUPPLIED AND CONNECTED.
11. INVERTED TRAPS MUST BE INSTALLED TO ALLOW PROPER CLEARANCE TO FULLY OPEN CONDENSER CONTROL BOX DOOR AND IN ACCORDANCE WITH LOCAL ELECTRIC CODES.
12. SECURE LIEBERT® LEE-TEMP RECEIVER ASSEMBLY AND EACH LEG TO CONDENSER FRAME USING HARDWARE PROVIDED. RECEIVER CAN BE MOUNTED ON EITHER SIDE OF CONDENSER.
13. LIEBERT® LEE-TEMP ITEM (B) IS SHIPPED AS A PRE-PIPED ASSEMBLY SHIPPED LOOSE FOR FIELD INSTALLATION. ITEM (C) IS SHIPPED LOOSE FOR FIELD INSTALLATION.
14. FASTEN LIQUID AND HOT GAS LINES USING FLAT SURFACE CLAMPS WITH ISOLATORS (FIELD PROVIDED). SUPPORT FIELD PIPING SEPARATELY TO AVOID COIL DAMAGE AND LOSS OF CHARGE.
15. RELIEVE PRESSURE AT ACCESS PORT. REPLACE ACCESS PORT FITTING WITH RELIEF VALVE BEFORE CHARGING SYSTEM.



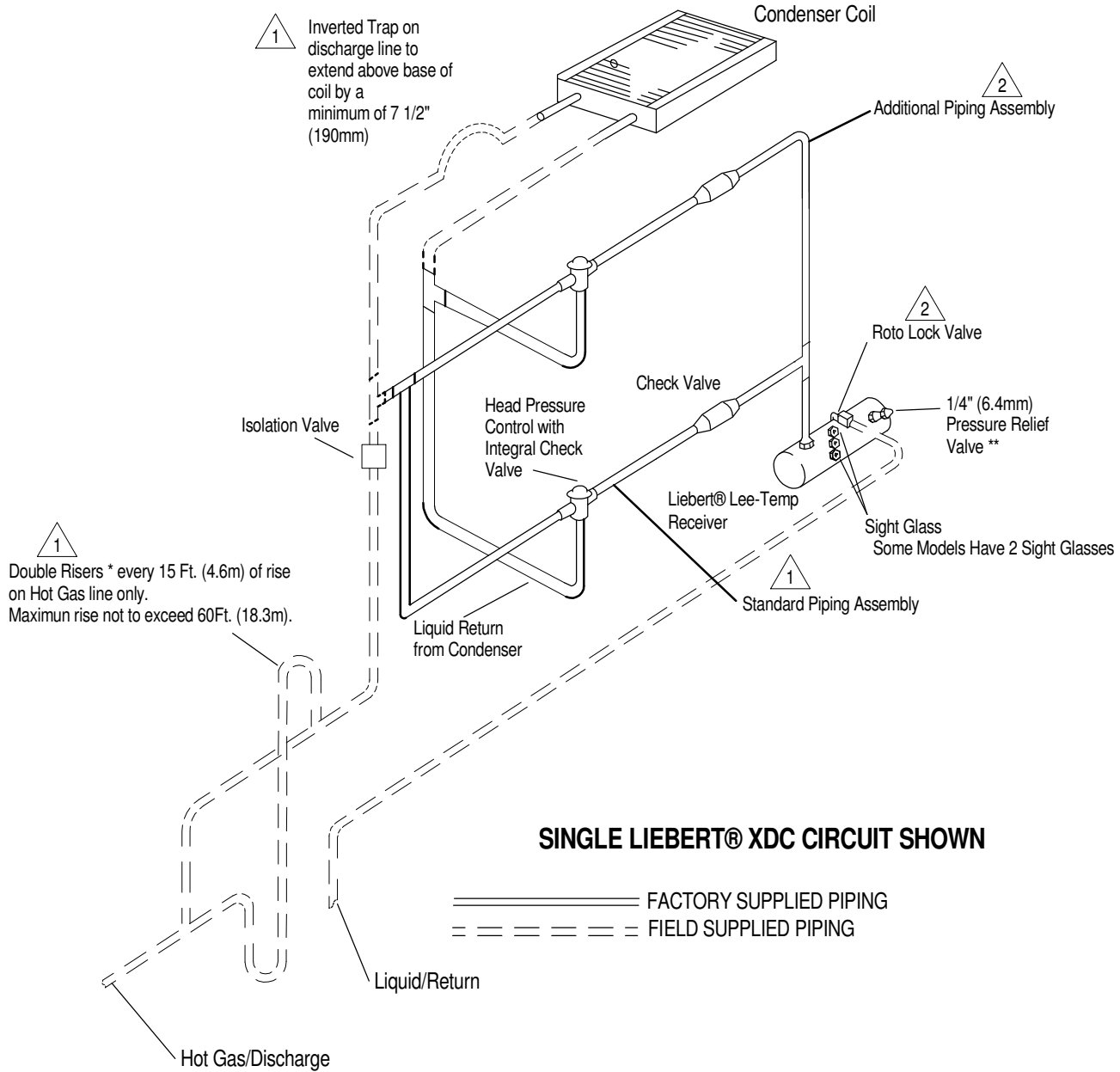
(SEE PAGE 5 FOR PIPING CONNECTIONS DETAILS)

MATERIALS SUPPLIED BY VERTIV

- 1 BUILT IN CONDENSER CONTROL BOX. SEE ELECTRICAL DRAWING FOR DETAILS AND FIELD WIRING.
- 2 AIR COOLED CONDENSER.
- 3 3/8"-16 x 3/4" LONG BOLTS - (20 TOTAL) ATTACHES LEGS TO CONDENSER FRAME.
- 4 3/8"-16 x 1-1/4" LONG BOLTS - (10 TOTAL) ATTACHES LEGS TO RECEIVER. 3/8" NUTS (10 TOTAL). 3/8" WASHERS (20 TOTAL)
- 5 TERMINAL BLOCK FOR 2 WIRE 24 VOLT INTERLOCK CONNECTION BETWEEN LIEBERT® XDC UNIT AND LIEBERT® CONDENSER.
- 6 CONDENSER LEGS - (5) FIVE LEGS FOR (6) SIX FAN MODELS.
- 7 LIEBERT® LEE TEMP: (A) INSULATED STORAGE RECEIVER - STORAGE RECEIVER (1) PER CIRCUIT. RECEIVER SIZE VARIES. (B) DUAL HEAD PRESSURE CONTROL VALVE ASSEMBLY WITH INTEGRAL CHECK VALVE(S) - (1) ONE PER CIRCUIT (SEE NOTE 14) (C) ROTO LOCK VALVE - (1) ONE PER CIRCUIT, FIELD INSTALLED. (D) PRESSURE RELIEF VALVE - (1) ONE PER CIRCUIT, FIELD INSTALLED. (E) LIQUID LEVEL INDICATOR - (1) PER CIRCUIT, FACTORY INSTALLED ON RECEIVER.

REFER TO SYSTEM DESIGN MANUAL AND USER MANUAL FOR ADDITIONAL DETAIL

GENERAL ARRANGEMENT AIR COOLED XD CHILLER LIEBERT® LEE-TEMP CONTROL

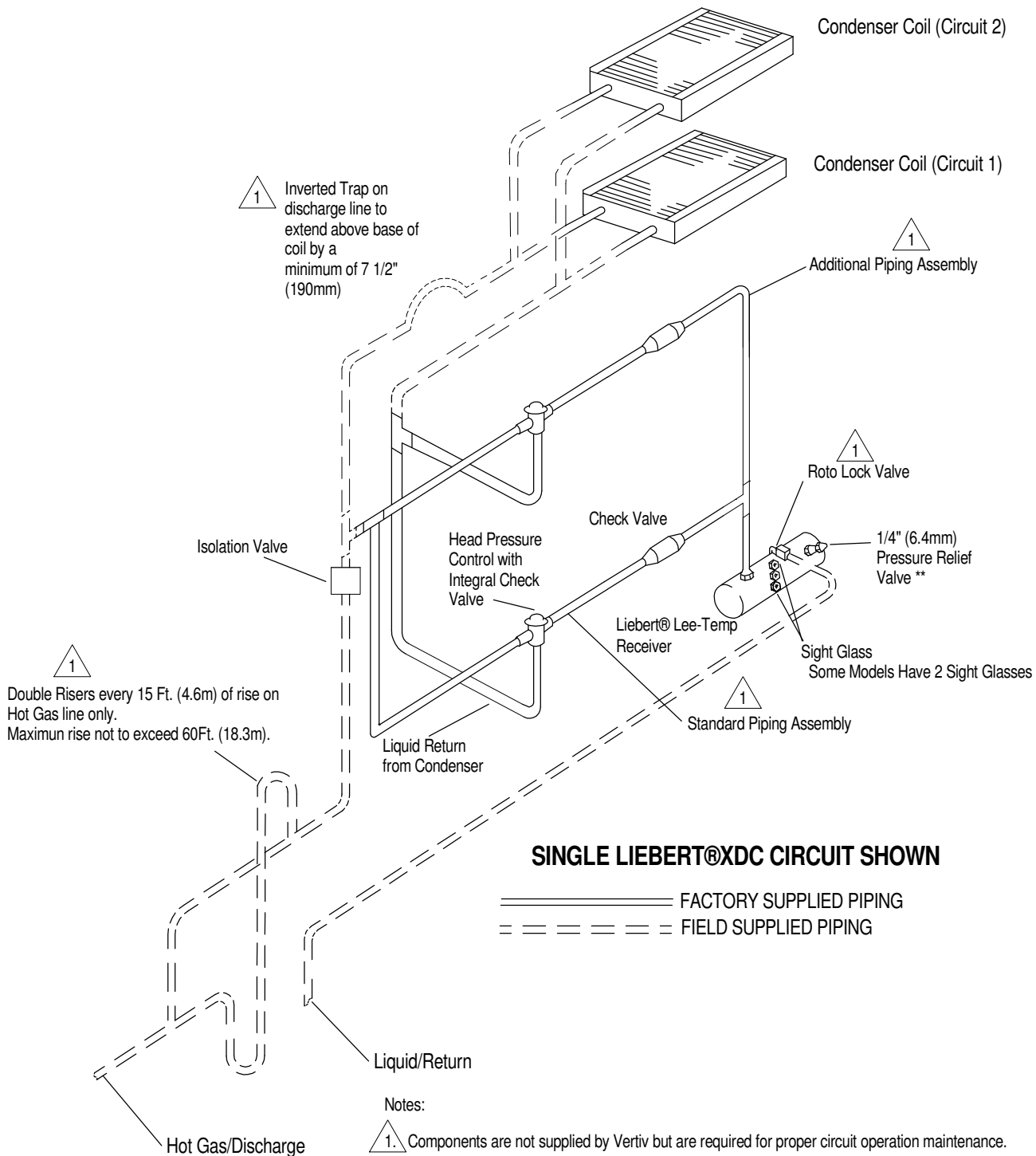


Notes:

- 1. Components are not supplied by Vertiv but are required for proper circuit operation maintenance.
- 2. Components supplied by Vertiv and must be field installed.

REFER TO SYSTEM DESIGN MANUAL AND USER MANUAL FOR ADDITIONAL DETAIL

SPECIAL PIPING CONNECTIONS DCSL616 CONNECT THE TWO REFRIGERANT CIRCUITS FOR PARALLEL REFRIGERANT FLOW

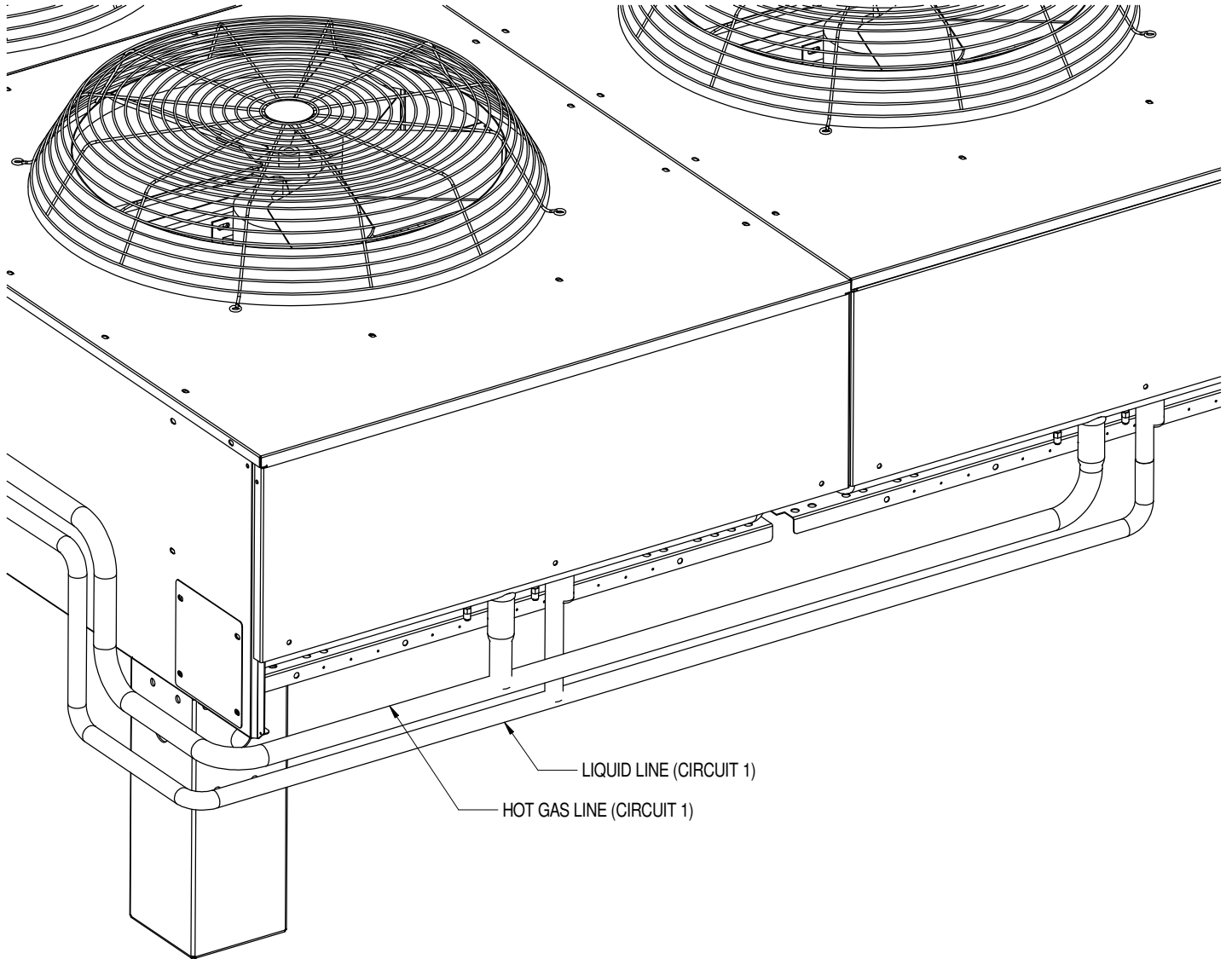


SINGLE LIEBERT®XDC CIRCUIT SHOWN

===== FACTORY SUPPLIED PIPING
 - - - - - FIELD SUPPLIED PIPING

REFER TO SYSTEM DESIGN MANUAL AND USER MANUAL FOR ADDITIONAL DETAIL

SPECIAL PIPING CONNECTIONS DCSL616 SINGLE CIRCUIT SHOWN



CONNECT THE TWO REFRIGERANT COILS FOR PARALLEL
REFRIGERANT FLOW USING FIELD SUPPLIED PIPING

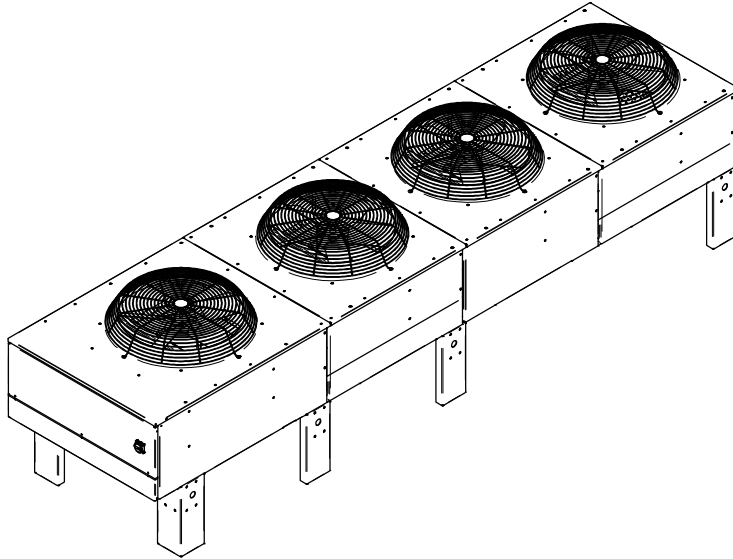
REFRIGERANT LINES ARE TO BE ROUTED AND SECURED TO PREVENT EXCESSIVE VIBRATION AND STRESS AT THE CONNECTIONS.

SEE MOUNTING INSTRUCTIONS LISTED ON PAGE 2.

REFER TO SYSTEM DESIGN MANUAL AND USER MANUAL FOR ADDITIONAL DETAIL

DIMENSIONAL DATA

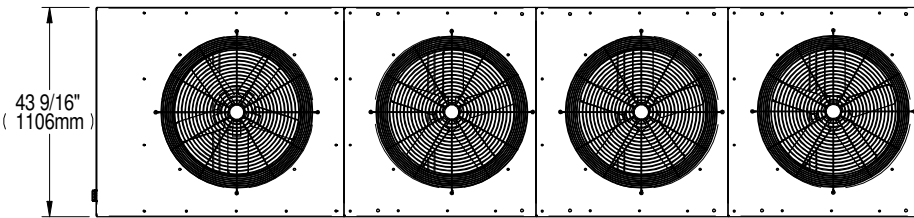
LIEBERT® LEE-TEMP 4 FAN MODELS



Model Number	DCSL415
Qty of Fans	4
Number of Circuits	1

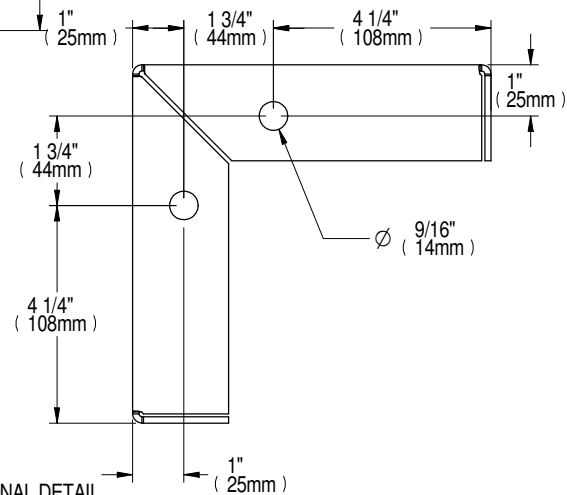
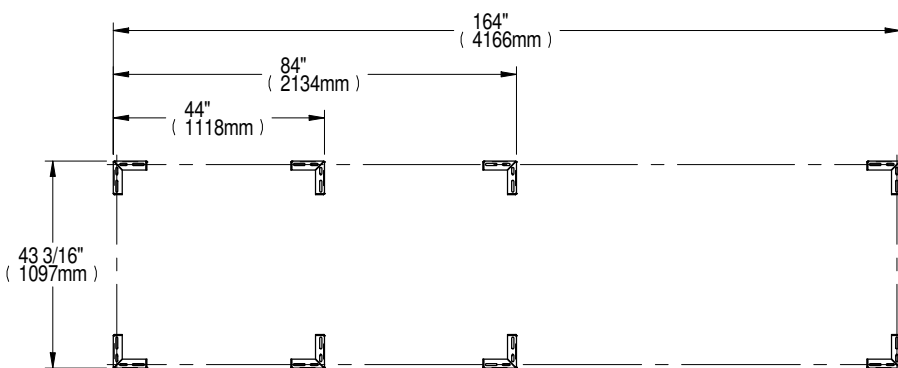
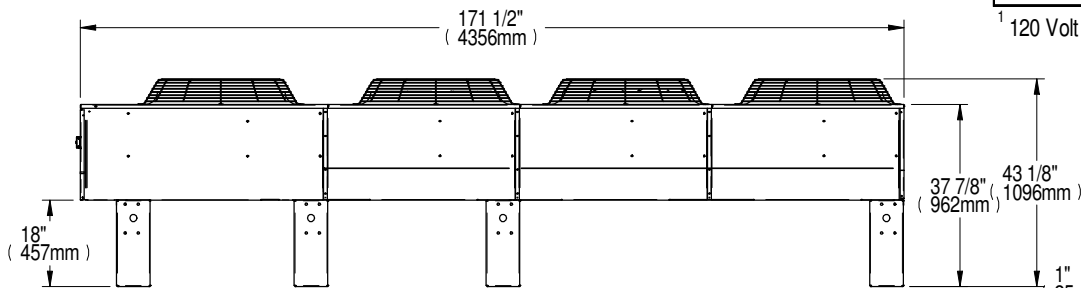
ODS Connection Size	
Hot Gas	1-5/8
Liquid Line	1-1/8

Net Weight lbs(kg)	1188 (539)
--------------------	------------



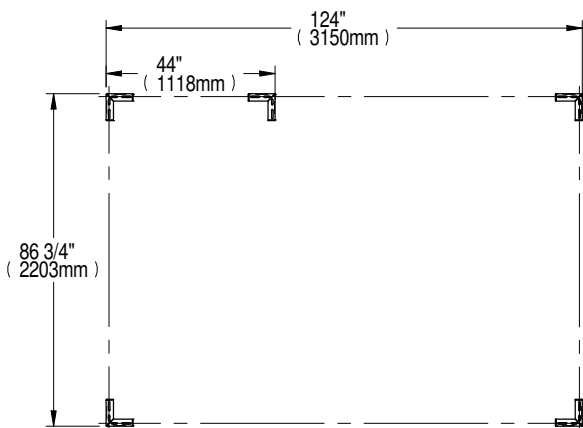
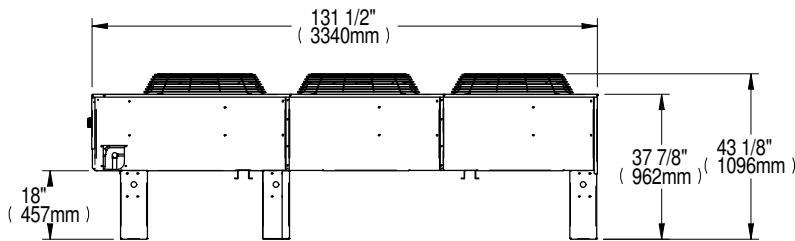
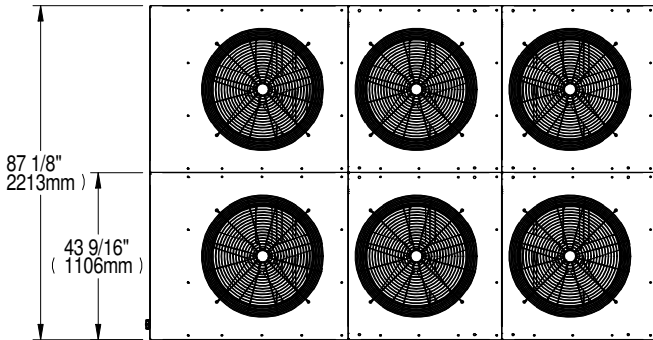
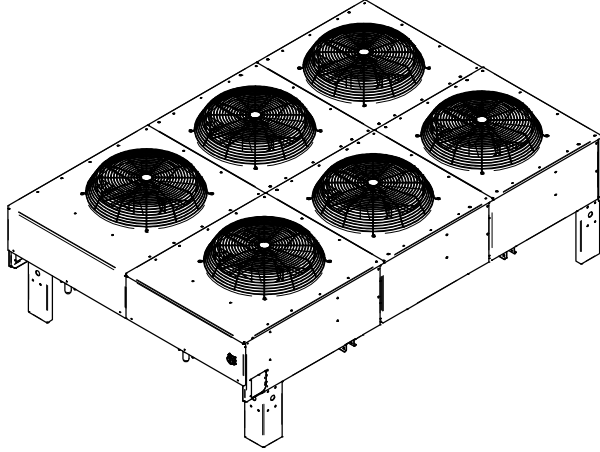
Ambient Temp Range	-30 to 100 F (-34 to 38 C)	-
Condenser for Each XDC 160A	2 x DCSL415	-
Receiver Kit for Each XDC 160A	2 x 185010G2HH ¹ 2 x 185010G4HH ²	-
Head Pressure Kit for Each XDC 160A	2 x 179711G1	-

¹ 120 Volt Heater or ² 230 Volt Heater



REFER TO SYSTEM DESIGN MANUAL AND USER MANUAL FOR ADDITIONAL DETAIL

DIMENSIONAL DATA LIEBERT® LEE-TEMP 6 FAN MODELS



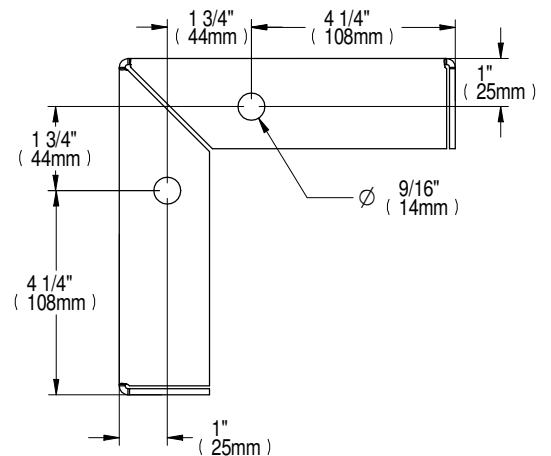
Model Number	DCSL616
Qty of Fans	6
Number of Circuits	1

ODS Connection Size	
Hot Gas	1-5/8
Liquid Line	1-1/8

Net Weight lbs(kg)	1450 (658)
--------------------	------------

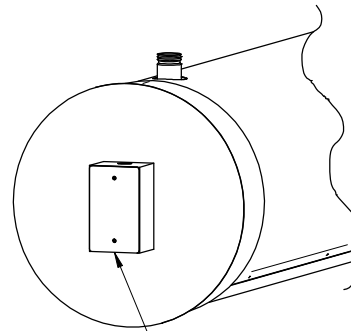
Ambient Temp Range	35 to 105 F (2 to 41 C)	-30 to 105 F (-34 to 41 C)
Condenser for Each XDC160A	2 x DCSL616	2 x DCSL616
Receiver Kit for Each XDC160A	2 x 181610G2HH ¹ 2 x 181610G4HH ²	1 x 179713G1HH ¹ 1 x 179713G3HH ²
Head Pressure Kit for Each XDC160A	2 x 179711G1	2 x 179711G2

¹ 120 Volt Heater or ² 230 Volt Heater



REFER TO SYSTEM DESIGN MANUAL AND USER MANUAL FOR ADDITIONAL DETAIL

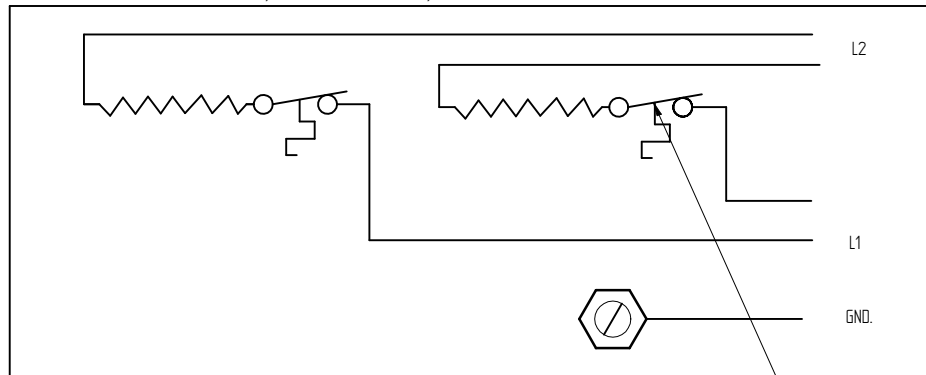
PAD WIRING LIEBERT® LEE-TEMP HEATER



- VOLTS
- 115 1 PHASE 50/60Hz
 - 200/208/230 1 PHASE 50/60Hz

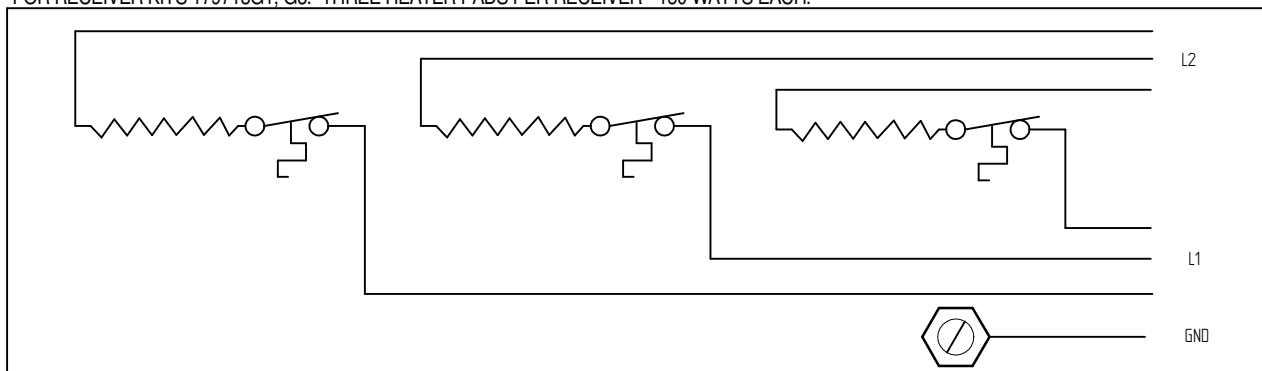
HEATER PAD WIRING ACCESS

FOR RECEIVER KITS 185010G2, G4 AND 181610G2, G4. TWO HEATER PADS PER RECEIVER - 150 WATTS EACH.



HI LIMIT THERMOSTAT
TYPICAL

FOR RECEIVER KITS 179713G1, G3. THREE HEATER PADS PER RECEIVER - 150 WATTS EACH.



REFER TO SYSTEM DESIGN MANUAL AND USER MANUAL FOR ADDITIONAL DETAIL

Connect with Vertiv on Social Media



<https://www.facebook.com/vertiv/>



<https://www.instagram.com/vertiv/>



<https://www.linkedin.com/company/vertiv/>



<https://www.x.com/Vertiv/>



Vertiv.com | Vertiv Headquarters, 505 N. Cleveland Ave., Westerville, OH 43082, USA

© 2024 Vertiv Group Corp. All rights reserved. Vertiv™ and the Vertiv logo are trademarks or registered trademarks of Vertiv Group Corp. All other names and logos referred to are trade names, trademarks or registered trademarks of their respective owners. While every precaution has been taken to ensure accuracy and completeness here, Vertiv Group Corp. assumes no responsibility, and disclaims all liability, for damages resulting from use of this information or for any errors or omissions.

SL-16673_REV5_09-24