

Avocent® High Performance Extender System

HMX 6200 DP Receiver and LongView™ 5500/5520



Rack Mount Installation Guide

This guide covers:

- Avocent HMX 6200 DP High Performance KVM extender system receivers.
- Avocent LongView 5500 and 5520 extender systems' transmitters and receivers.

1. Installing the mounting tray in the rack

Install the rack mount tray into your rack frame and secure it using the four included bolts.

2. Inserting the extenders into the rack mount tray

Place an extender in each side of the rack mount tray so that its rear panel presses up against the center backstop.

3. Securing the extenders

Loosen, do not fully remove, the two bolts holding one of the tray's flanges to the rack upright. In the space between the loosened bolt heads and the tray flange, insert the slotted leg of the L-shaped bracket. Position the L-shaped bracket so that it is adjoined to the tray side and flange.

Fully retighten the two bolts.

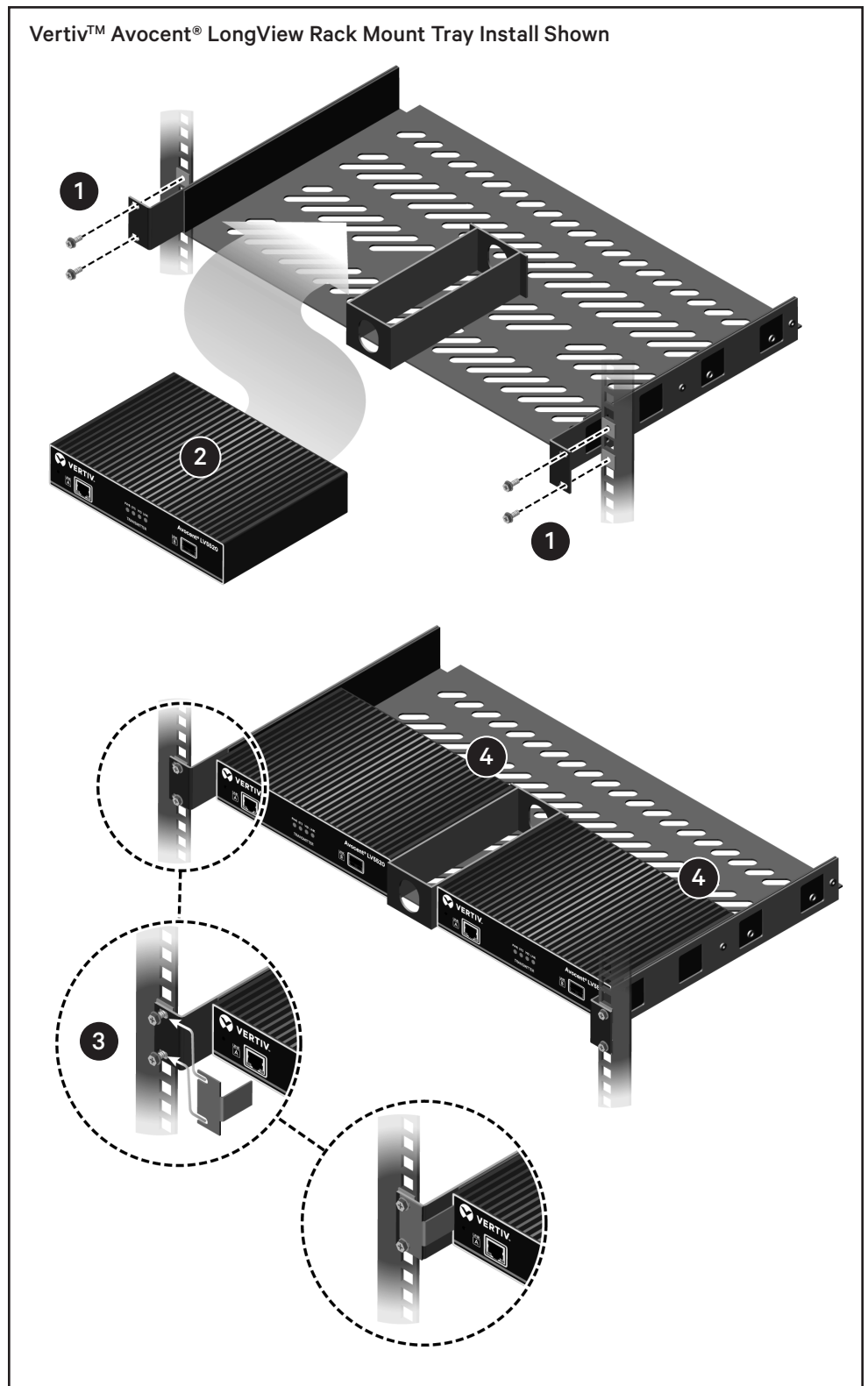
Repeat for the opposite side.

4. Connecting the extender power

Plug the socket of the power adapter into the power port on the rear of the switch. Plug the other end of the power adapter into an appropriate AC power supply.

5. Connecting to the system

Make all other necessary connections to the extender.





To contact Vertiv Technical Support: visit www.Vertiv.com

© 2024 Vertiv Group Corp. All rights reserved. Vertiv™ and the Vertiv logo are trademarks or registered trademarks of Vertiv Group Corp. All other names and logos referred to are trade names, trademarks or registered trademarks of their respective owners. While every precaution has been taken to ensure accuracy and completeness here, Vertiv Group Corp. assumes no responsibility, and disclaims all liability, for damages resulting from use of this information or for any errors or omissions.

