

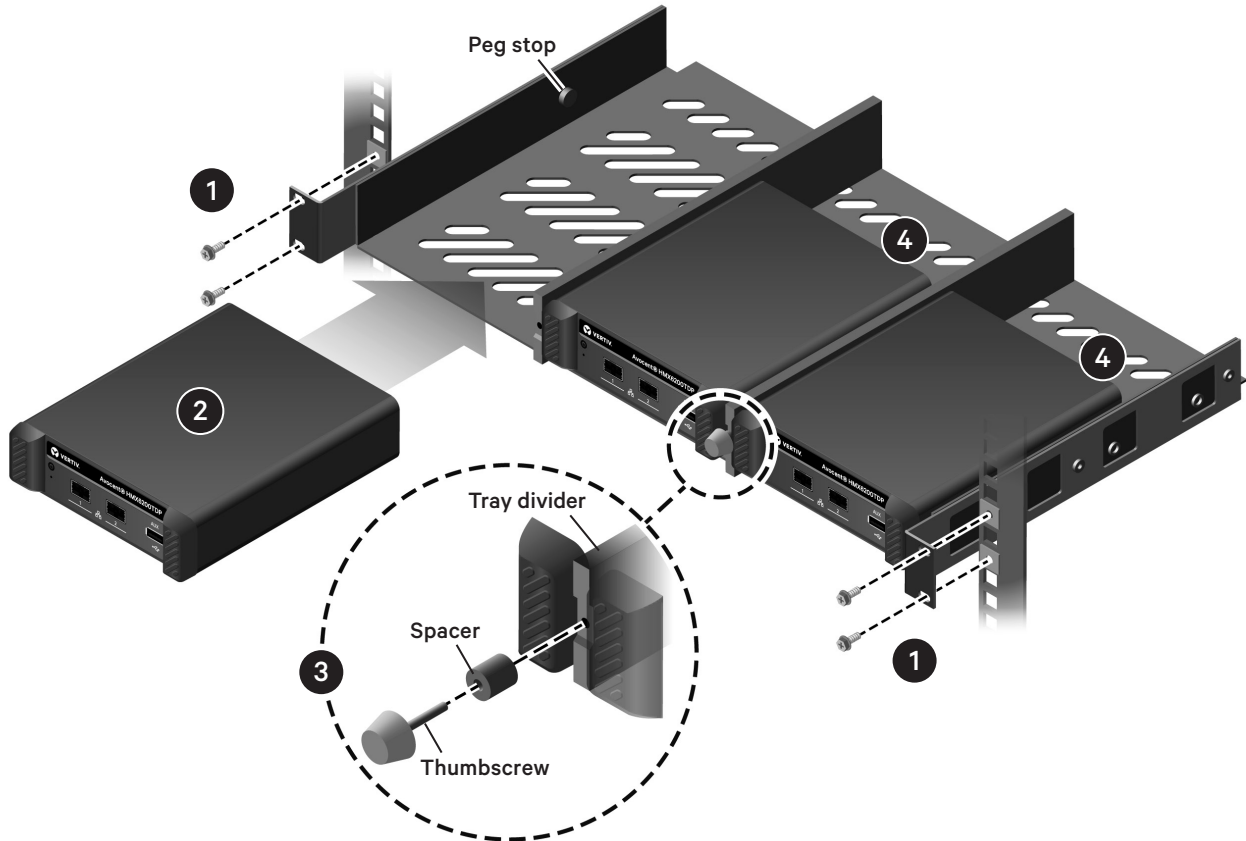
Avocent® HMX Extender System

HMX 6200 DP and HDMI Transmitters

Rack Mount Installation Guide



Vertiv™ Avocent® HMX6200TDP Transmitter Shown



This guide covers Avocent HMX 6200 DP and HDMI High Performance KVM extender system transmitters only.

CAUTION: Avocent HMX devices and their power supplies generate heat during operation. Do not mount them where air cannot circulate to cool the equipment. One-third of the U space (1/2 inch) must be allowed between rows of extenders when mounting within a rack chassis.

Do not operate the system in ambient temperatures exceeding 104°F (40°C) or place transmitters or receivers in contact with equipment that exceeds that surface temperature.

In order to maintain suitable cooling airflow, if only two transmitters are installed within the rack mount, install the optional blanking plate.

Follow the directions on the opposite side of this page to install the blanking plate as needed.

1. Installing the tray in the rack

Install the rack mount tray in the rack and fully secure it.

2. Installing the device in the tray

Place a transmitter into each rack mount tray compartment, inserting it until the device's rear panel presses against the small pegs on the tray side walls.

3. Inserting the thumbscrew

Insert the supplied thumbscrew through the supplied spacer and into the small hole at the end of the tray divider. Gently tighten the thumbscrew so the spacer engages with the inner edges of each transmitter and holds them in place.

Repeat to install the additional thumbscrew and spacer on the other tray divider end.

4. Connecting the extender power

Plug the socket of the power adapter into the power port on the rear of the switch. Plug the other end of the power adapter into an appropriate AC power supply.

5. Connecting to the system

Make all other necessary connections to the extender.

Blanking plate installation

1. Attaching the slotted flange

NOTE: Be sure the tray is supported at all times during the blanking plate installation.

Loosen (do not fully remove) the two bolts holding one of the tray's flanges to the rack upright. In the space between the loosened bolt heads and the tray flange, insert the blanking plate's slotted flange.

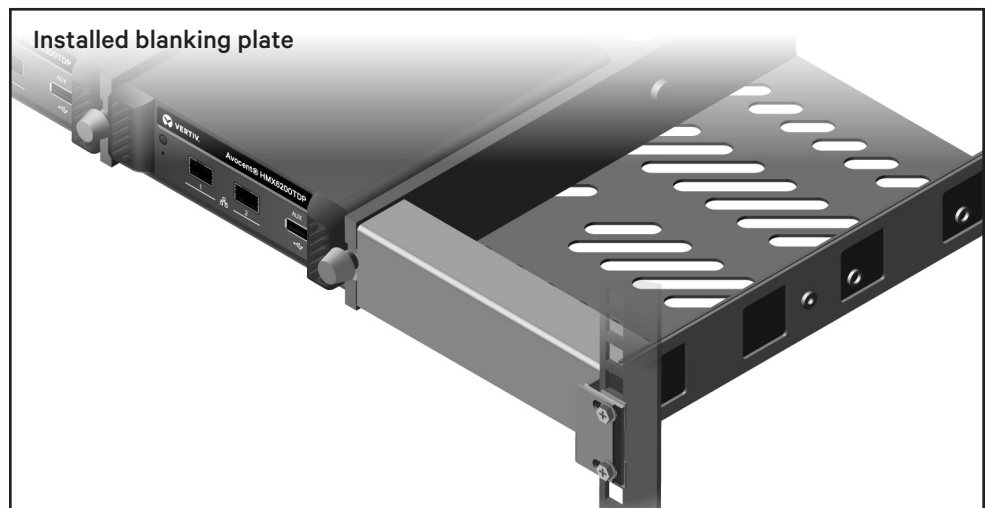
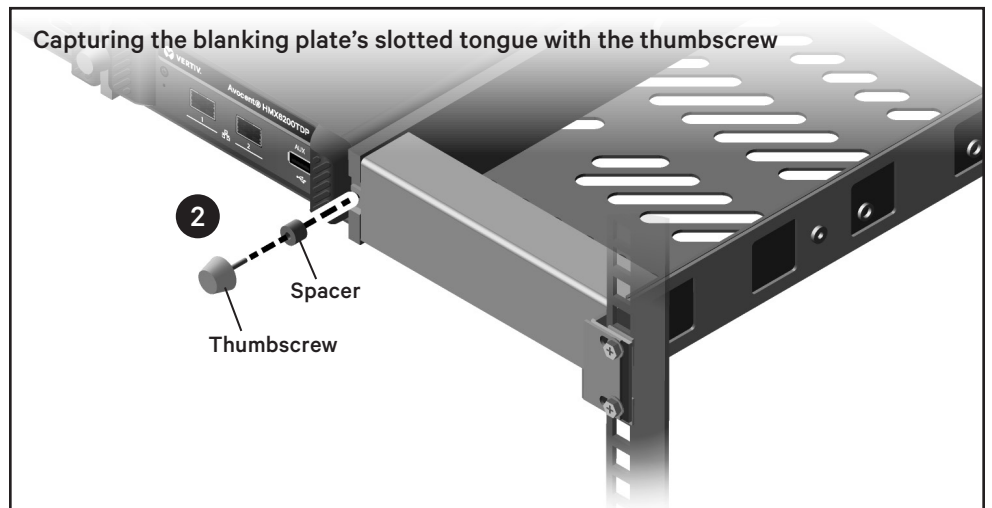
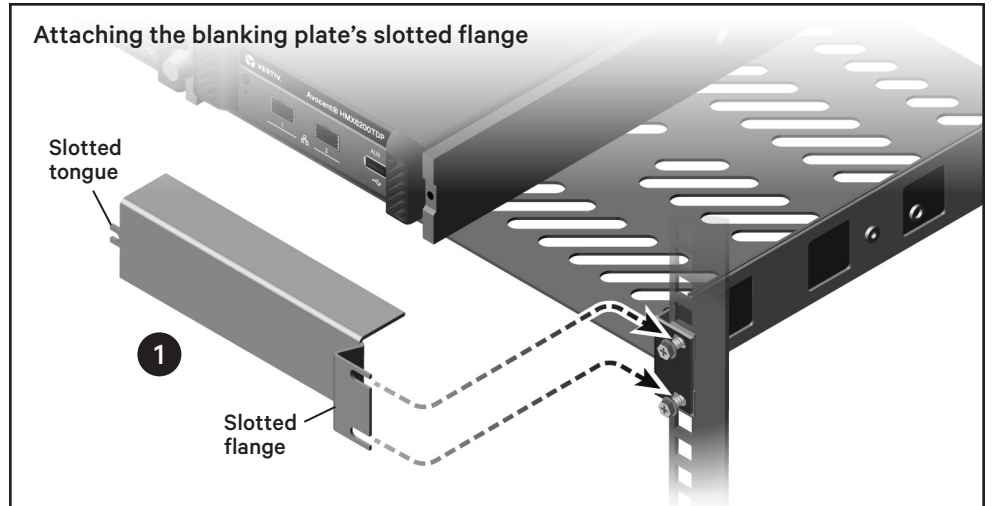
On the opposite end of the blanking plate, be sure the tongue slot is aligned with the hole in the end of the tray divider.

Re-tighten the tray flange screws.

2. Attaching the slotted tongue

Slip the supplied spacer onto the threaded shaft of the thumbscrew. Insert the thumbscrew/spacer through the blanking plate's tongue slot and into the small hole at the end of the tray divider.

While holding the transmitter and the captured blanking plate's slotted tongue in place, gently tighten the thumbscrew so the spacer engages with the inner edge of the Avocent HMX transmitter.



To contact Vertiv Technical Support: visit www.Vertiv.com

© 2024 Vertiv Group Corp. All rights reserved. Vertiv™ and the Vertiv logo are trademarks or registered trademarks of Vertiv Group Corp. All other names and logos referred to are trade names, trademarks or registered trademarks of their respective owners. While every precaution has been taken to ensure accuracy and completeness here, Vertiv Group Corp. assumes no responsibility, and disclaims all liability, for damages resulting from use of this information or for any errors or omissions.

