



Vertiv™ Liebert® GXT5 Lithium-Ion UPS

5,000 - 10,000VA 230V
Rack/Tower

Online Double-Conversion UPS
Offers the Highest Level of
Power Protection



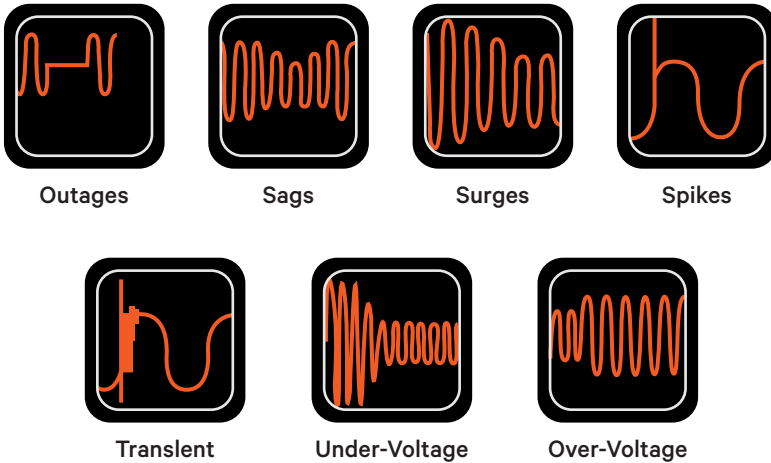
The Vertiv™ Liebert® GXT5 Lithium-Ion UPS provides the highest level of power protection for your business critical IT applications.

High Performance Online Power Protection

The Liebert® GXT5 Lithium-Ion double conversion online UPS provides both the highest level of power conditioning and battery backup for business critical IT equipment such as business network gear and servers ensuring your mission-critical applications are protected in the event of an unanticipated loss of power or an unprecedented power surge.

The Liebert® GXT5 Lithium-Ion UPS protects against the widest range of power fluctuations and automatically switches to battery backup when power loss is detected. With a 1.0 power factor (PF) and no transfer time to operation on battery, you can ensure your most critical assets are protected.

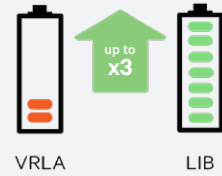
Protects Against



The rack/tower convertible design of the Liebert GXT5 Lithium-Ion UPS makes it ideal for edge or distributed IT applications where floor space is at a premium. It is a true low-maintenance, set-it and forget-it solution ideal for remote locations with limited onsite technical resources.

Why should you choose Lithium-Ion Technology?

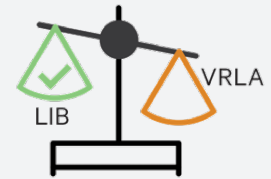
Longer Life



Lowest TCO



Small and Lighter



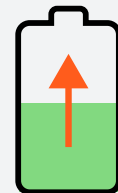
Longer Runtime



Environmentally Friendly



Fast Battery Recharge



Lithium-Ion technology delivers up to 3 times the life expectancy of lead-acid batteries and lowers the total cost of ownership by nearly half.

Lithium-Ion Outperforms VRLA when compared...

Battery Feature	VRLA Battery	Lithium-Ion Battery	Lithium-Ion Benefit
Standard battery life	3-5 years	8-10 years	Up to 3 times longer life
Typical cycle life	200-260	2000	Up to 10x more discharge/recharge cycles
Battery recharge time (@ 90%)	3-6 hours	<2 hours	Fast recovery time safeguards your critical IT equipment in the event of multiple outages
Battery weight	35 kg	22 kg	45% lighter making it ideal for small spaces and wall-mount racks
Warranty	2 or 3 years	5 years	Worry free operation so you can set-it and forget-it

Build Your Total Infrastructure Solution with Vertiv

Discover expert designed IT infrastructure solutions with proven success in diverse environments and countless applications.

Rack PDUs

IT Management and Monitoring

Lithium-Ion UPS

Thermal Management

Lifecycle Service

Liebert®

- Cooling
- Racks
- UPS

Avocent®

- Device Management
- KVMs
- Serial Console

Geist™

- Rack Air Distribution
- Rack PDUs and RTS
- Monitoring

Racks

Visit Vertiv.com or contact a Vertiv Sales Representative today to find out how Vertiv can help you configure an all-in-one infrastructure solution.

How You Benefit from the Vertiv™ Liebert® GXT5 UPS

High Performance



1.0 Output Power Factor (PF): Provides more useable power enabling you to connect more equipment saving you money and space.

Increased Runtime: included external lithium-ion battery pack offers up to 12 minutes of runtime at full load.



Extended Runtime: add up to a total of (8) 1U EBCs (or 8 EBC pairs for the 8/10KVA models) for a maximum runtime up to 100 minutes at full load, or 200 minutes at half-load.

Advanced Warning Status: Receive early audible and visual alarms warning you of system status to alert you to an input voltage, output overload, low battery, or battery replacement condition.



Wide Input Voltage Range: Prolong battery life by allowing the UPS to maximize the use of the utility power before transferring to battery.

High Efficiency: we operate up to 94% in normal (online) operating mode.

Superior Battery Technology

Fewer Battery Replacements: Lithium-Ion batteries require fewer battery replacements and last on average up to 3 times as long as traditional VRLA batteries reducing maintenance, labor, and replacement costs (lower TCO).

More Discharge Cycles: Lithium-Ion batteries deliver up to 10 times more charge / discharge cycles than VRLA batteries.

Fast Recharge: Lithium-Ion batteries recharge twice as fast as traditional VRLA batteries getting you back to 90% in as little as 2 hours.

Hot-Swappable, User-Replaceable Batteries: Increase product life and reliability with batteries that can be easily replaced without disrupting power to connected equipment.

Safe and Reliable: Safest Lithium-Ion (LiFePO4) battery chemistry and integrated battery management system (BMS) ensure safe and reliable operation.

Environmentally Friendly: Significantly reduce battery disposal and recycling with lower replacement rates.



Enhanced Manageability



LCD Display: User-friendly full-color LCD interface with gravity sensing orientation simplified installation and configuration while also providing instant at-a-glance status and insights.

Remote Management:

- Vertiv™ Power Insight – Liebert® RDU101 card included for web/SNMP manageability
- Vertiv™ Power Assist – Monitor UPS conditions through a local USB connection
- Vertiv™ Intelligence Director – Together with Vertiv™ Geist™ rPDU one single IP Address to monitor and manage up to 50 devices

Remote Emergency Power Off: Remotely shutdown the UPS during an emergency.



Integrated Maintenance Bypass and Power Distribution

Each Vertiv™ Liebert® GXT5 Lithium-Ion UPS (5-10kVA models only) includes a Zero-U maintenance bypass with integral power distribution. This enables UPS service or removal without disrupting power to the connected equipment.

1.0
PF

High power factor (1.0)
More usable power enables more connected loads saving space and costs.

Efficiency (up to 94%) in online mode

Energy Star 2.0 certification. Higher efficiency means an optimized energy management and lower heat dissipation, for energy savings and improved reliability.

Integrated Maintenance Bypass Cabinet (MBC)

Facilitates UPS maintenance or replacement, if needed, without having to shutdown the connected equipment.

Factory Installed Network Card

RDU101 SNMP/Web card enables Remote Management

Battery Cabinets with auto-detection

Be confident the UPS is set up correctly to report available runtime when used with external battery cabinets.

5

Product warranty

Comprehensive coverage through a standard five-year advanced exchange warranty.

Supreme Power Density

Space-saving UPS and optional 1U external battery packs let you optimize rack space and battery runtime.

5000VA To 10000VA – 230V GV Rack/Tower

Communications

IntelliSlot™ (Web/SNMP Card), Serial Port, Dry Contacts, USB Port for Local and Remote Configuration and UPS Management

External Battery Connector

Scalable runtime solution supported for extended outage protection (up to 8 External Battery Cabinets)

Hardwired Output

Hardwire UPS Output to rPDU Extender or PDU



Maintenance Bypass

External Bypass for service with integrated power distribution

Technical Specifications 5-10 kVA

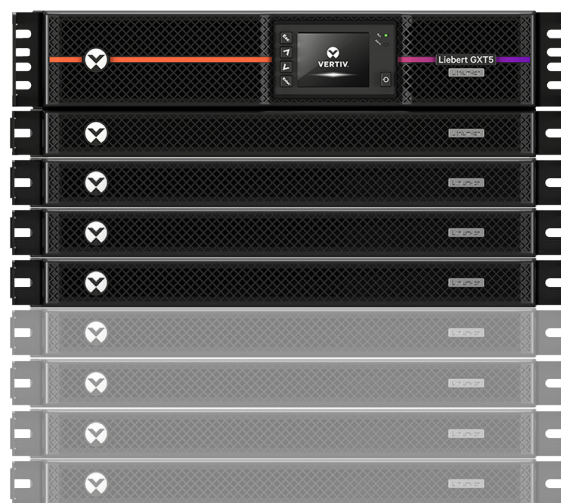
Standard Models	Liebert® GXT5LI-5000GVRT3UXLN	Liebert® GXT5LI-6000GVRT3UXLN	Liebert® GXT5LI-8000GVRT3UXLN	Liebert® GXT5LI-10KVRT3UXLN
Form Factor	3U Rack/Tower		3U Rack/Tower	
Power Rating	5000 VA / 5000 W	6000 VA / 6000 W	8000 VA / 8000 W	10,000 VA / 10,000 W
Dimensions, W x D x H, mm (in)				
Unit	430 x 890 x 133 (16.9 x 35 x 5.25 (3U))	430 x 890 x 133 (16.9 x 35 x 5.25 (3U))	430 x 890 x 133 (16.9 x 35 x 5.25 (3U))	
Shipping	798 x 998 x 532 (31.4 x 39.3 x 20.9)		798 x 998 x 532 (31.4 x 39.3 x 20.9)	
Weight, Kg (Lb)				
Unit with EBCs*	45 (99)	99 (45)	48 (105)	
Unit without EBCs	23 (51)	23 (51)	26 (57)	
Shipping	72 (159)	72 (159)	75 (165)	
Input/Output AC Parameters				
Input Plug	Hardwired (L1-N/L2-G)	Hardwired (L1-N/L2-G)	Hardwired (L1-N/L2-G)	Hardwired (L1-N/L2-G)
Output	Hardwired (L1-N/L2-G)	Hardwired (L1-N/L2-G)	Hardwired (L1-N/L2-G)	Hardwired (L1-N/L2-G)
Nominal Voltage Setting	230VAC (Default); 200-240VAC (User-Configurable); ±1%			
Voltage Range Without Battery Operation	Nominal (Full Load): 176V - 288V AC; Maximum: 100 - 288VAC			
Frequency Range	40-70Hz			
Surge Protection	IEC 61000-4-5, ANSI C62.41, Category B			
Transfer Time	0 ms			
Battery Waveform	Pure Sine Wave			
Battery Parameters				
Type	Lithium-Ion (LiFePO4)			
Recharge Time (from full discharge)	< 2hrs to 90%	< 2hrs to 90%	< 2hrs to 90%	< 2hrs to 90%
Full-Load Runtime	11 min	9 min	5 min	4 min
Half-Load Runtime	25 min	19 min	15 min	11 min
Replacement Battery	N/A, external battery only	N/A, external battery only	N/A, external battery only	N/A, external battery only
External Battery Cabinet (quantity)	VEBCLI-192VRT1U (1)	VEBCLI-192VRT1U (1)	VEBCLI-192VRT1U (1)	VEBCLI-192VRT1U (1)
Environmental Requirements				
Operating Temperature, °C (°F)	0°C to 40°C (32°F to 104°F) (10% Derating at 50°C)			
Storage Temperature °C (°F)	-20° to 60° (-4° to 140°)			
Relative Humidity	0% - 95%, non-condensing			
Operating Altitude, m (ft)	0 to 3,000 (0 to 10,000) w/o Derating. (15% Derating at 4000m)			
Audible Noise	< 58 dB			
Certifications				
Safety	IEC 62040-1:2008+A1 2013, IEC 62619 1st Ed., UL 1642 (Li-Ion Battery Cells), UL 1973 (Li-Ion Battery Pack w/UPS), UL 1778, CSA 22.2 No. 107.3			
Agency	IEC 62040-1:2008+A1 2013, IEC 62619 1st Ed., IEC 62040-2 2nd Ed., IEC 61000-3-2, IEC 61000-3-12, CISPR22, Class A, FCC Part 15, Class A, UL 1778			
Environmental	RoHS2 / REACH / WEEE			
Network Surge	IEC 61000-4-5, ANSI C62.41, Category B			
Transportation	ISTA Procedure 2A			
Warranty	5 years on UPS and Battery			

Optional Accessories

External battery cabinets and replacement battery kits

UPS	External Battery Cabinet (quantity)
GXT5LI-5000GVRT3UXLN	VEBCLI-192VRT1U (1)
GXT5LI-6000GVRT3UXLN	VEBCLI-192VRT1U (1)
GXT5LI-8000GVRT3UXLN	VEBCLI-192VRT1U (1)
GXT5LI-10KGVRT3UXLN	VEBCLI-192VRT1U (1)

*EBCs are hot-swappable, user-replaceable to allow for the full EBC to be replaced, as needed. Up to 8 EBCs can be used per UPS.



Network communications and environmental sensors

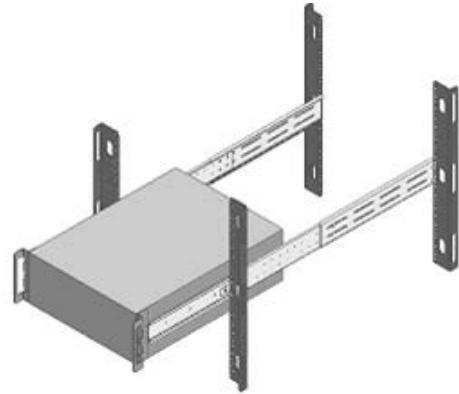
Network Communications	RDU101	Intellislot™ web card for SNMP and web management. Supports environmental sensors.
	IS-RELAY	Intellislot™ Interface Kit for Relay Contacts
Environmental Sensors (Compatible with optional Liebert® network card RDU 101)	SN-Z01	Integrated cable with single temperature sensor
	SN-Z02	Integrated cable with three temperature sensors
	SN-Z03	Integrated cable with three temperature and one humidity sensors
	SN-T	Modular with single temperature sensor
	SN-TH	Modular with single temperature and single humidity sensor
	SN-2D	Modular with two door contact inputs
	SN-3C	Modular with three dry contact inputs
	SN-L20	Modular leak zone sensor with 20 foot cable (Liebert® RDU-S only)
UPS manageability options	Vertiv™ Power Insight Software Management	Vertiv™ Power Insight is a complimentary web-based software designed to monitor up to 100 Vertiv™ UPSs and Vertiv™ rPDUs

Rack Power Distribution options

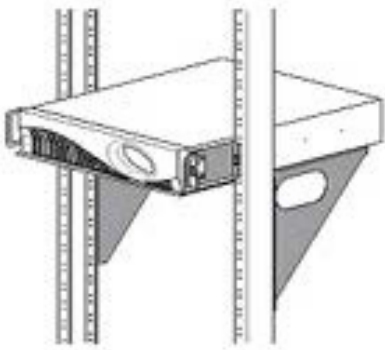
UPS VA Rating	rPDU Model Number	Form Factor	Input	Output Receptacles
5000VA To 10000VA GV UPS	VP0G7200	Horizontal	Hardwired (L1-L2-G)	(8) U-Lock C-19 Out
	VP4G7006	Vertical	Hardwired (L1-L2-G)	(4) C19, (36) C13/C19 Out



2POSTRMKIT



Rack Slide Kits for all Liebert® GXT5 Rack Tower Models (RMKIT 18-32)



Rack Shelves - Center mount shown
RS600 / RS800



Standard 4-Post Rail Kit
(included in the UPS box) 201193G1L

Mounting Kit Options

Application	Model Supported	Style	Model	Description
2 Post Rack	Liebert® GXT5 UPS Family (500VA to 10kVA)	Shelf	RS500	Flush-mount shelf for 19" rack wide
		Shelf	RS600	Center-mount shelf for 19" rack wide
		Shelf	RS700	Flush-mount shelf for 23" rack wide
		Shelf	RS800	Center-mount shelf for 23" rack wide
		Liebert® GXT5 2U UPS (or 2U Section/Module)	Bracket	2POSTRMKIT
4 Post Rack	Liebert® GXT5 UPS Family (500VA to 10kVA)	Bracket	RMKIT18-32	Cabinet/racks with 18" - 32" deep support rails - Telescopic rail

Note: RS600 and RS800 kits include adapter brackets for installation of up to (2) Liebert® GXT5 2U model

Vertiv™ Liebert® GXT5 Lithium-Ion UPS Power Assurance Services

Comprehensive Service Support for Critical Systems

Providing more than the standard warranty and warranty extension program, Power Assurance (PA) is valid for single-phase UPS units that are larger than 3kVA, and must be purchased within six (6) months from the equipment purchase date.

PA includes:

- **Advanced replacement or repair of a faulty unit** within eight (8) working hours of incident ticket acknowledgement (that is, up to a maximum of two (2) business days after a claim).
- **100% coverage of electronic parts and battery failures** (excluding battery misuse and/or reduced runtime due to normal battery wear and tear).
- **24x7 access to our professional helpline.**
- **Free shipping to the following European countries:** Austria, Belgium, Croatia, Czech Republic, France, Germany, Ireland, Italy, Luxemburg, Poland, Portugal, Slovakia, Spain, Sweden, Switzerland, The Netherlands, Turkey, and United Kingdom.
- **Two Preventive Maintenance visits** after the third year, performed by a Vertiv technician.
- **Preventive Monitoring and Diagnostic Service** - with the purchase of Power Assurance Premier.

Key benefits:

- Frees up IT staff from servicing UPS equipment, reduces the worry about critical equipment downtime
- Ensures rapid recovery in the event of failure (within 24-48 hours)

Channel Services

Part Numbers	5-Year Warranty	10-Year Power Assurance	10-Year Power Assurance Premier
GXT5LI-5000GVRT3UXLN	Included	RUPS-PA10-007	RUPS-PAP10-007
GXT5LI-6000GVRT3UXLN	Included	RUPS-PA10-007	RUPS-PAP10-007
GXT5LI-8000GVRT3UXLN	Included	RUPS-PA10-008	RUPS-PAP10-008
GXT5LI-10KGVRT3UXLN	Included	RUPS-PA10-008	RUPS-PAP10-008
	<div style="border: 1px solid black; padding: 5px; text-align: center;"> Standard <small>Channel Services</small> </div>	<div style="border: 1px solid orange; padding: 5px; text-align: center; background-color: #f4a460; color: white;"> Advanced <small>Channel Services</small> </div> <div style="background-color: #f4a460; text-align: center; padding: 5px; font-weight: bold; margin-top: 5px;">RECOMMENDED</div>	<div style="background-color: #1a1a1a; color: white; padding: 5px; text-align: center;"> Elite <small>Channel Services</small> </div>



Vertiv.com | Vertiv Infrastructure Limited, George Curl Way, Southampton, SO18 2RY, VAT Number: GB188146827

© 2024 Vertiv Group Corp. All rights reserved. Vertiv™ and the Vertiv logo are trademarks or registered trademarks of Vertiv Group Corp. All other names and logos referred to are trade names, trademarks or registered trademarks of their respective owners. While every precaution has been taken to ensure accuracy and completeness here, Vertiv Group Corp. assumes no responsibility, and disclaims all liability, for damages resulting from use of this information or for any errors or omissions. Specifications, rebates and other promotional offers are subject to change at Vertiv's sole discretion upon notice.

MKA4L0UKGXT5LIUPS (08/24)