



eSure™ Rectifier Module

User Manual

Specification Number: 1R483500e3

Model Number: R48-3500e3

The information contained in this document is subject to change without notice and may not be suitable for all applications. While every precaution has been taken to ensure the accuracy and completeness of this document, Vertiv assumes no responsibility and disclaims all liability for damages resulting from use of this information or for any errors or omissions. Refer to other local practices or building codes as applicable for the correct methods, tools, and materials to be used in performing procedures not specifically described in this document.

The products covered by this instruction manual are manufactured and/or sold by Vertiv. This document is the property of Vertiv and contains confidential and proprietary information owned by Vertiv. Any copying, use or disclosure of it without the written permission of Vertiv is strictly prohibited.

Names of companies and products are trademarks or registered trademarks of the respective companies. Any questions regarding usage of trademark names should be directed to the original manufacturer.

Technical Support Site

If you encounter any installation or operational issues with your product, check the pertinent section of this manual to see if the issue can be resolved by following outlined procedures.

Visit <https://www.vertiv.com/en-us/support/> for additional assistance.

TABLE OF CONTENTS

Admonishments Used in this Document	iv
Important Safety Instructions	v
Safety Admonishments Definitions.....	v
Safety and Regulatory Statements.....	v
Déclarations de Sécurité et de Réglementation.....	v
1 Introduction	1
1.1 Overview.....	1
1.2 Specifications.....	1
1.2.1 DC Output Ratings.....	1
1.2.2 AC Input Ratings.....	3
1.2.3 Environmental Ratings.....	6
1.2.4 Compliance Information:.....	7
1.2.5 Standard Features.....	7
1.2.6 Mechanical Specifications.....	10
2 Operation	11
2.1 AC Input Protection Device Requirements/Recommendations.....	11
2.2 Local Indicators.....	11
2.3 Rectifier High Voltage Shutdown and Lockout Restart.....	11
2.4 Rectifier Current Limit.....	11
2.5 Installing Rectifiers.....	12
3 Troubleshooting and Repair	14
3.1 Troubleshooting.....	14
3.1.1 Rectifier Current Sharing Imbalance.....	14
3.1.2 Rectifier Fault Symptoms and Troubleshooting.....	14
3.2 Replacement Procedures.....	15
3.2.1 Rectifier Replacement.....	15
3.2.2 Rectifier Fan Replacement.....	16

Admonishments Used in this Document



DANGER! Warns of a hazard the reader *will* be exposed to that will *likely* result in death or serious injury if not avoided. (ANSI, OSHA)



WARNING! Warns of a potential hazard the reader *may* be exposed to that *could* result in death or serious injury if not avoided. This admonition is not used for situations that pose a risk only to equipment, software, data, or service. (ANSI)



CAUTION! Warns of a potential hazard the reader *may* be exposed to that *could* result in minor or moderate injury if not avoided. (ANSI, OSHA) This admonition is not used for situations that pose a risk only to equipment, data, or service, even if such use appears to be permitted in some of the applicable standards. (OSHA)



ALERT! Alerts the reader to an action that *must be avoided* in order to protect equipment, software, data, or service. (ISO)



ALERT! Alerts the reader to an action that *must be performed* in order to prevent equipment damage, software corruption, data loss, or service interruption. (ISO)



FIRE SAFETY! Informs the reader of fire safety information, reminders, precautions, or policies, or of the locations of fire-fighting and fire-safety equipment. (ISO)



SAFETY! Informs the reader of general safety information, reminders, precautions, or policies not related to a particular source of hazard or to fire safety. (ISO, ANSI, OSHA)

Important Safety Instructions

Safety Admonishments Definitions

Definitions of the safety admonishments used in this document are listed under “Admonishments Used in this Document” on page iv.

Safety and Regulatory Statements

Refer to Section 4154 (provided with your customer documentation) for Safety and Regulatory Statements.

Déclarations de Sécurité et de Réglementation

Reportez-vous à la Section 4154 (fourni avec les documents de votre client) pour les déclarations de sécurité et de réglementation.

This page intentionally left blank.

1 Introduction

1.1 Overview

The rectifier provides load power, battery float current, and battery recharge current during normal operating conditions. The rectifier is a constant power design. The rectifier is rated at its maximum output power. This means that, within the normal operating ambient temperature range and input voltage range, the maximum available output power is a constant 3500 W. Within these ranges, the rectifier operates in one of three modes, depending upon load demands. Transition between modes is completely automatic. If ambient temperature rises above or input voltage falls below acceptable values, the rectifier continues to operate but at derated output power levels.

- **Constant Voltage Mode:** For any initial output voltage setting from 42 VDC to 58 VDC, output voltage remains constant regardless of load. This is the normal operating condition, in which loads are being supplied and batteries are float charged. Rectifiers operate in the Constant Voltage Mode unless load increases to the point where the product of load current and output voltage is approximately 3500 W.
- **Constant Power Mode:** As load increases above approximately 3500 W (non-adjustable), output current continues to increase, but output voltage decreases as required to maintain constant output power. Rectifiers operate in the Constant Power Mode unless load continues to increase to the point where the current limit setting is reached.
- **Constant Current Mode:** If load increases to the current limit setting, output voltage decreases linearly to maintain output current at the current limit setting.

1.2 Specifications

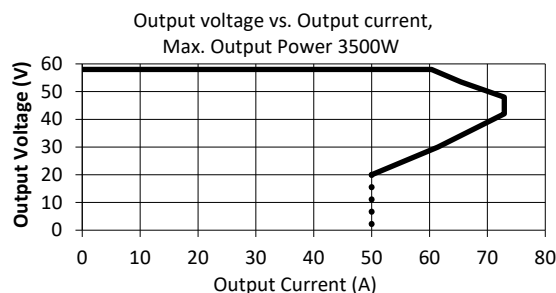
1.2.1 DC Output Ratings



NOTE! A current limitation can be set by the User and the output voltage level is set through the controller.

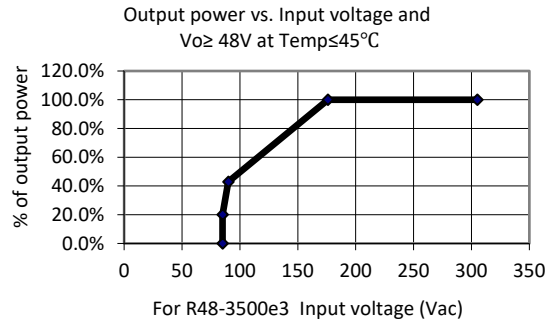
- **Voltage:** Nominal -48 VDC, positive ground. Output voltage is adjustable from -42 VDC to -58 VDC via the associated controller.
- **Output Power and Current:** 3500 W (73 A) @ 208 VAC / 220 VAC / 230 VAC / 240 VAC / 277 VAC input and -48 VDC output. (Note: 277 VAC only for R48-3500e3.)
- **Output Characteristics:** Refer to Figure 1.1 for a graph of output voltage vs. output current.

Figure 1.1 Output Voltage vs. Output Current



- Power Derating Based on Input Voltage:** The rectifier power varies with changes in input voltage and output voltage. It uses an advanced power limitation method. The lower input threshold is 85 VAC. The rectifier can provide its maximum rated power (3500 W) as long as the input voltage is within the range of 176 VAC to 305 VAC. Below 176 VAC, and down to 85 VAC, the rectifier will continue to operate normally but will be in a power derating mode. The relationship between the output power and input voltage is illustrated in Figure 1.2.

Figure 1.2 Power Derating Based on Input Voltage (R48-3500e3)



- Power Derating Based on Temperature:** The rectifier delivers full power when operating at an ambient temperature of $+45^\circ C$ ($+113^\circ F$) or below. Each rectifier continuously monitors the ambient temperature surrounding the power conversion circuit. If this temperature for any reason (such as a high ambient temperature) increases above approximately $+45^\circ C$ ($+113^\circ F$), the rectifier will not shut down. Rather, the rectifier limits its maximum output power to maintain the temperature of the power conversion circuit within design parameters. Operation between $+45^\circ C$ ($+113^\circ C$) and $+75^\circ C$ ($+167^\circ F$) will result in output power being decreased. Full power capability is restored when the temperature decreases to below approximately $+45^\circ C$ ($+113^\circ F$). Refer to Figure 1.3 to view the relationship between the output power and the ambient temperature.

Other power rating values are as follows (refer to Figure 1.3):

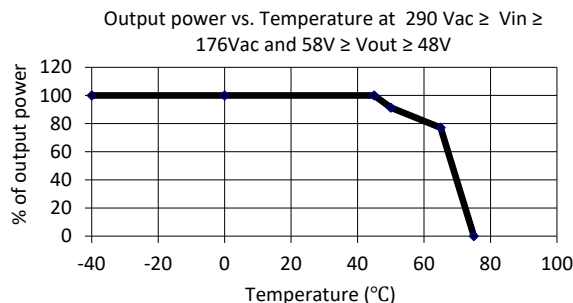
- At an ambient temperature of $+50^\circ C$ ($+122^\circ F$), the power delivered by the rectifier is 3200 W.
- At an ambient temperature of $+65^\circ C$ ($+149^\circ F$), the power delivered by the rectifier is 2700 W.



WARNING! The rectifier is rated for continuous operation at full output power up to $+45^\circ C$ ($+113^\circ F$). Operation between $+45^\circ C$ ($+113^\circ F$) and $+75^\circ C$ ($+167^\circ F$) will result in output power decrease. Operation above $+75^\circ C$ ($+167^\circ F$) is considered abnormal and should be used on a temporary¹ basis only.

¹ **Temporary Operation at Abnormal Temperature:** Temporary operation is defined as a period of not more than eight consecutive hours per day, and a total of not more than 15 days in a year. (This refers to a total of 120 hours in any given year, but no more than 15 occurrences in that one-year period.)

Figure 1.3 Power Derating Based on Temperature



- Regulation:
 - a) Static: Steady state regulation is $\pm 0.6\%$ as controlled within the rectifier for any and all combinations of load from no load to full load, input voltage, and input frequency at a constant ambient temperature. With controller, the output voltage shall remain within $\pm 0.5\%$ of the set point over the specified ranges of input line voltage, output load current and ambient temperature.
 - b) Dynamic: Response time ≤ 200 microseconds and overshoot $\leq 5\%$ for load changes at 50% - 25% - 50% and 50% - 75% - 50% at rated output voltage and current.

For any step load change within the range of 10% to 90% of full load within 1 milliseconds, per Telcordia GR-947-CORE, the maximum voltage transient will not exceed 5% of the initial steady state voltage within 250 ± 10 microseconds. Recovery to within 1% of the initial steady state voltage does not exceed 4 milliseconds.

- Filtering:
 - a) Voice Band Noise: Complies with YD/T-731-2008.
 1. Peak-peak voltage is ≤ 200 mV at 0 MHz - 20 MHz and normal output voltage. (YD/T-731-2008)
 2. R48-3500e3: Psophometric noise is ≤ 2 mV typical at 220 VAC input, 53.5 VDC output and 20% to 70% of rated load for more than one rectifier.
 - b) Wide Band Noise: Complies with YD/T-731-2008.
 1. Wideband noise emission is < 20 mV between 25 Hz - 20 kHz according to ETS 300132-2.

1.2.2 AC Input Ratings

- Voltage (R48-3500e3): Nominal 208 VAC / 220 VAC / 230 VAC / 240 VAC / 277 VAC, single phase, 3-wire, 50 Hz / 60 Hz, with an operating range of 200 VAC to 305 VAC. Acceptable input frequency range is 45 Hz to 65 Hz.

Permitted Variation: 85 VAC to 305 VAC.

Harmonic Content (THD) (R48-3500e3): Meets EN61000-3-2.

$\leq 5\%$ from 50% to 100% of rated output current at 208 VAC, 220 VAC, 230 VAC, 240 VAC, 277 VAC for 50 Hz, 60 Hz, 53.5 VDC and 25 °C; $\leq 10\%$ for 30% rated output current at 220 VAC, 50Hz, 53.5 VDC and 25 °C.

- Inrush Current: Peak does not exceed 1.5 times of the peak value of the maximum steady-state input current at full load, 220 VAC input voltage, and for any duration of AC input interrupts. Under the above conditions, standard AC distribution circuit breakers will not trip.
- Typical Input Data:
 - a) R48-3500e3: Refer to Table 1.1 and Table 1.2.
 - b) Maximum Input Current: Refer to Table 1.3.
- Efficiency Curve: Refer to Figure 1.4.

Table 1.1 Typical Input Data, 50 Hz Input (R48-3500e3)

Nominal Input Voltage	Percent of Full Load	Input Current (Amperes)	Input VA	Input Watts	Power Factor	Efficiency	Heat Dissipation BTU/Hr
208	0	0.378	78.8	9.7	--	--	33.0945
	25	4.120	859.8	849.5	0.988	95.03	144.0469
	50	8.117	1686.4	1681.3	0.997	96.03	227.7298
	75	12.141	2528.9	2526.4	0.999	95.83	359.4366
	100	16.357	3391.7	3388.3	0.999	95.28	545.6423
	110	18.015	3738.2	3734.5	0.999	95.02	634.5210
	120	18.078	3751.7	3747.9	0.999	94.99	640.6339
240	0	0.444	106.8	9.7	--	--	33.0945
	25	3.613	868.2	849.9	0.979	95.13	141.2150
	50	7.038	1689.6	1681.2	0.995	96.19	218.5388
	75	10.538	2521.8	2516.8	0.998	96.14	331.4517
	100	14.079	3372.4	3365.6	0.998	95.72	491.4626
	110	15.541	3717.8	3710.4	0.998	95.51	568.3963
	120	15.670	3748.2	3740.7	0.998	95.43	583.2480
277	0	0.619	169	9.55	--	--	32.583
	25	3.2784	903.73	846.81	0.937	95.57	128.26
	50	6.1537	1703.15	1674.97	0.983	96.52	199.147
	75	9.1213	2530.5	2513.8	0.993	96.42	306.642
	100	12.1973	3393.2	3363.1	0.991	96.02	457.72
	110	13.4469	3713.3	3705	0.998	95.86	525.05
	120	13.7451	3793.3	3784.6	0.998	95.47	582.764



NOTE! System output is initially adjusted to 53.5 volts DC as measured at the system sense point at 50% of full load and nominal input. "Percent of Full Load" refers to percent of 60.3 amperes.

Table 1.2 Typical Input Data, 60 Hz Input (R48-3500e3)

Nominal Input Voltage	Percent of Full Load	Input Current (Amperes)	Input VA	Input Watts	Power Factor	Efficiency	Heat Dissipation BTU/Hr
208	0	0.451	94.0	10.5	--	--	35.8240
	25	4.146	865.3	851.4	0.984	94.99	145.5310
	50	8.138	1689.9	1684.8	0.997	95.98	231.0780
	75	12.181	2532.9	2527.8	0.998	95.86	357.0485
	100	16.324	3392.5	3385.7	0.998	95.34	538.2928
	110	18.020	3739.0	3731.6	0.998	95.05	630.2088
	120	18.034	3754.1	3746.6	0.998	95.00	639.1334
240	0	0.523	125.8	10.1	--	--	34.4592
	25	3.640	875.8	848.6	0.969	95.15	140.4200
	50	7.037	1689.1	1677.3	0.993	96.27	213.4537
	75	10.530	2524.7	2517.1	0.997	96.18	328.0560
	100	14.107	3381.0	3370.8	0.997	95.71	493.3720
	110	15.578	3728.4	3717.2	0.997	95.47	574.5110
	120	15.806	3782.0	3770.6	0.997	95.39	593.0558
277	0	0.619	169	9.55	--	--	32.583
	25	3.2784	903.73	846.81	0.937	95.57	128.26
	50	6.1537	1703.15	1674.97	0.983	96.52	199.147
	75	9.1213	2530.5	2513.8	0.993	96.42	306.642
	100	12.1973	3393.2	3363.1	0.991	96.02	457.72
	110	13.4469	3713.3	3705	0.998	95.86	525.05
	120	13.7451	3793.3	3784.6	0.998	95.47	582.764



NOTE! System output is initially adjusted to 53.5 volts DC as measured at the system sense point at 50% of full load and nominal input. "Percent of Full Load" refers to percent of 60.3 amperes.

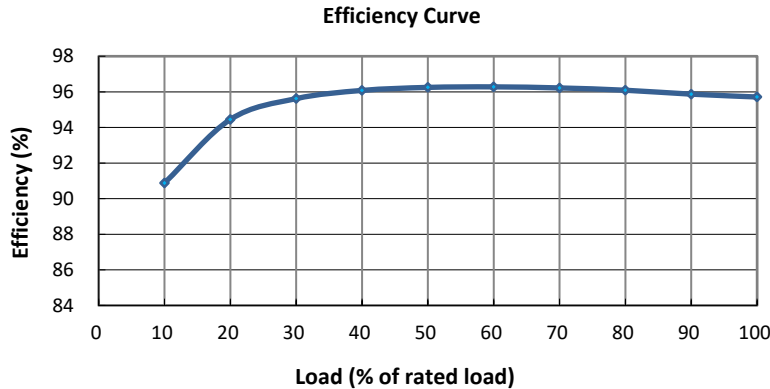
Table 1.3 Maximum Input Current, 50 Hz / 60 Hz Input

Nominal Input Voltage	Input Voltage	Input Current (Amperes)
208/240	176	21.0
277	235	15.7



NOTE! At 100% of full load with output adjusted to 58 volts DC as measured at the shelf output terminals.

Figure 1.4 Efficiency Curve (at 240 VAC, 60 Hz) (R48-3500e3)



1.2.3 Environmental Ratings

- Operating Ambient Temperature Range:
 - a) +45 °C (+113 °F) to +75 °C (+167 °F) with derating output.
 - b) -40 °C (-40 °F) to +45 °C (+113 °F) with full power performance.
 - c) Temperature Coefficient: 0.02% per degrees Celsius.
- Storage Ambient Temperature Range: -40 °C (-40 °F) to +75 °C (+167 °F).
- Relative Humidity: This rectifier is capable of operating in an ambient relative humidity range of 0% to 95%, non-condensing.
- Altitude: 2000 m (6560 ft) at full power (above 2000 m, derate 3 °C per 300 m up to 4000 m).
- Surge Protection: Compliance with EN61000-4-5 (4kV Line to Line, 4kV Line to Earth). Capable of withstanding surges per ANSI/IEEE C 62.41 1999 Category B3 across the input terminals.



NOTE! This level of protection is a widely used standard for telecommunications power equipment. As with all such equipment, it is the end user's responsibility to provide an adequately sized Surge Suppression Device at the commercial power service entrance of the building that reduces all incoming surges to levels below the classes/categories stated for the equipment.

- Ventilation Requirements: The rectifiers are fan cooled and utilize front to back forced ventilation. A rectifier must be mounted so ventilating openings are not blocked and temperature of the air entering the rectifier does not exceed the Operating Ambient Temperature Range stated above.
- Single Rectifier Audible Noise: At 25 °C ≤55dB(A) with fan. Measurement made at 1 m distance in front of rectifier and at same horizontal line of the middle of rectifier.
- High Voltage Category: II.
- Power Distribution System: TN/TT/IT.



NOTE! The rectifier is recommended to be used in an environment with Pollution of Degree 2 or less. Pollution Degree 2 applies where there is only non-conductive pollution that might temporarily become conductive due to occasional condensation (such as the office environment).

- EMI/RFI Suppression:
 - a) Rectifiers operating in an approved rectifier mounting shelf conform to the requirements of FCC rules Part 15, Class B for radiated and conducted emissions limits.
 - b) Rectifiers operating in an approved rectifier mounting shelf conform to the requirements of European Norm, EN55022, Class B for Radiated and Conducted emissions limits.

1.2.4 Compliance Information:

- EMC: ETSI EN 300 386, FCC CFR 47 Part 15 class B, Telcordia GR-1089-CORE.
- EMI Load Range: 5% - 100%.
- Safety: IEC 60950, EN 60950.
- REACH, ROHS:

	Name of SVHC above 0.1% (w/w)	CAS Number	Component
REACH SVHC Communication	Diboron trioxide	1303-86-2	Chip Resistors, Chip Ceramic Capacitors
	Lead monoxide	1317-36-8	Chip Resistors
EU RoHS	Compliant, Lead Free Soldering		

1.2.5 Standard Features

- Type of Power Conversion Circuit: High frequency.
- Constant Voltage Mode: For any initial output voltage setting from 42 VDC to 58 VDC, output voltage remains constant regardless of load. This is the normal operating condition, in which loads are being supplied and batteries are float charged. Rectifiers operate in the Constant Voltage Mode unless load increases to the point where the product of load current and output voltage is approximately 3500 W.
- Constant Power Mode: As load increases above approximately 3500 W (non-adjustable), output current continues to increase, but output voltage decreases as required to maintain constant output power. Rectifiers operate in the Constant Power Mode unless load continues to increase to the point where the current limit setting is reached.
- Constant Current Mode: If load increases to the current limit setting, output voltage decreases linearly to maintain output current at the current limit setting.
- Input Protection:
 - a) AC Input Fuses F101, F102: AC 300 V, 30 A, fast acting, ceramic.
 - b) Input Over/Under Voltage Protection: The rectifier will shut down at low or high voltage input; based on the following voltage levels:
 1. Low Voltage Disable Point: 80 V, ± 5 V; hysteresis is at least 15 VAC for restart.
 2. High Voltage Disable Point: 307.5 V, ± 2.5 V; hysteresis is at least 10 VAC for restart.

c) Between 85 V and 176 V the output power will be derated linearly based on the input voltage as follows:

1. R48-3500e3:

At input voltage of 85 V with output >48 V, maximum output power is 1500 W.

At input voltage of 176 V and output >48 V, maximum output power is 3500 W.

- Output Protection:

a) Overload / Reverse Current: The rectifier has two parallel 63 A fuse wires in the negative output DC bus. These fuses are not customer replaceable. The rectifier can be plugged into or pulled out of a shelf while operating, without damage or opening the fuse.

b) Current Limiting: The rectifier has a current limit function. The current limit point can be set between the range of 0 A to 73 A, adjustable via the controller. The current limit accuracy is ± 2 A when the output voltage ranges from 42 V to 58 V.

c) Advanced Current Limit Function: The rectifier has an advanced Current Limit Function. When a short circuit occurs at the rectifier output terminals, the rectifier will keep its output current at a constant value (value that is configurable via the controller). This function effectively protects the rectifier and the equipment connected to the rectifier. When the short circuit fault is cleared, the rectifier will automatically restore back to normal operation.

d) High Voltage Shutdown:

1. Adjustable Control: If rectifier output voltage exceeds an adjustable preset value and the rectifier is delivering more than 10% of its rated current, the rectifier shuts down. (Adjustable from 56 VDC to 59 VDC via the controller. The restart hysteresis is 0.5 V \pm 0.2 V.)

The rectifier then restarts and a HVSD restart timer starts (time value configurable via the controller, factory default is 5 minutes). If output voltage again exceeds the high voltage shutdown value before the HVSD restart timer expires, the rectifier shuts down and locks out. Manual restart is then required (by turning power to the rectifier off or by removing the rectifier, waiting until the LEDs on the rectifier extinguish, then turning power to the rectifier on or re-inserting the rectifier). If the rectifier does not experience a high voltage condition before the HVSD restart timer expires, the restart circuit is reset.

If two or more rectifiers are paralleled, only the rectifier causing the high voltage condition shuts down.

2. Backup: If rectifier output voltage exceeds 59.5 V \pm 0.5 V (non-adjustable) and the rectifier is delivering more than 10% of its rated current, the rectifier shuts down. The rectifier then restarts and a HVSD restart timer starts (time value configurable via the controller, factory default is 5 minutes). If output voltage again exceeds the high voltage shutdown value before the HVSD restart timer expires, the rectifier shuts down and locks out. Manual restart is then required (by turning power to the rectifier off or by removing the rectifier, waiting until the LEDs on the rectifier extinguish, then turning power to the rectifier on or re-inserting the rectifier).

- Over-Temperature Protection: The rectifier provides over temperature protection by derating output power and recovers automatically.
- Active Load Sharing: The rectifier uses advanced digital active load sharing technology that maintains balancing to within 3% of rated current.
- Hot Swappable: The rectifier is designed to be plug-and-play. The rectifier can be inserted or removed from a live DC power system with no damage. When the rectifier is plugged into the system, the system output voltage will not be affected.

- Cooling: Each rectifier contains a fan for front-to-back force air-cooling.
 - a) Fan Fault Protection: The rectifier shuts down and its alarm indicator (red) flashes if the fan fails. Fan failure is detected and reported to controller. The fan is field replaceable.
 - b) Fan Control: Fan speed is continuously variable. When input voltage is within normal range, the built-in processor adjusts fan speed according to the rectifier's internal temperature and output power. For example, a higher temperature or output power increases the fan speed. This feature can be disabled via the controller, allowing the fan to run at full speed regardless of temperature.
- Paralleling: Up to 160 rectifiers can be connected in parallel in one system.
- Communication Failure: The rectifier's protection indicator (yellow) will flash should it experience a communication failure. The failure information will be reported to the controller and the controller will process the failure accordingly. During a communication failure, in order to protect the battery, the rectifier output voltage will automatically be adjusted as follows.
 - The rectifier default factory output voltage is 53.5V.
 - Once power is applied to the rectifier and the rectifier is recognized by the controller, the output voltage is updated to the setting programmed into the controller.
 - If communications with an SCU+ controller is lost, rectifier output voltage goes to a default value programmed into the controller (this is a separate programmable parameter from the output voltage setting).
 - If communications with an ACU+ or NCU controller is lost, rectifier output voltage goes to the last communicated float output voltage setting in the controller (the last communicated float output voltage setting is stored in the rectifier).
 - The rectifier will revert to normal operation once normal communication to the controller is restored.
- Rectifier Output Current Imbalance:
 - a) When the average current of all rectifier modules is greater than 20% of full rated current, and the difference between local rectifier current and average current is greater than 16% of full rated current, the yellow protection indicator will illuminate.
 - b) When the average current of all rectifier modules is greater than 20% of full rated current, and local rectifier current is less than 2% of full rated current, then the red fault indicator will illuminate.
- Monitoring Function: The rectifier has a built-in advanced DSP that monitors and controls the operation of the rectifier. The DSP also communicates with the controller in real time through the CAN bus. Table 1.4 lists the different commands and information exchanged between the rectifier and the controller.

Table 1.4 Exchange of Information between Rectifier and Controller

Commands / signals that can be received by the Rectifier Module from the Controller.	Information gathered by the Controller from the Rectifier Module.
<ul style="list-style-type: none"> • Turn On/Off • Current Walk-in On/Off • HVSD (High Voltage Shutdown) Reset • Current Limit Adjustment • Voltage Regulation 	<ul style="list-style-type: none"> • Input Voltage • Output Voltage • Output Current • Current Limit Setting • Temperature • Over Voltage Setting • On/Off Status • Fault Alarms, such as: <ul style="list-style-type: none"> HVSD Fan Fail • Protection Alarms, such as: <ul style="list-style-type: none"> Input Voltage Protection Inner DC Bus Voltage Protection High Temperature Protection • Thermal Derating • AC Derating • AC Fail • Imbalance Output Current • Address • Code • Date • Software Version • Hardware Version

1.2.6 Mechanical Specifications

- Dimensions:
 - a) Millimeters: 42.0 (Height) X 84.5 (Width) X 330 (Depth)
 - b) Inches: 1.7 (Height) X 3.3 (Width) X 13.0 (Depth)
- Weight: 1.7 kg (3.7 lbs)
- Indicators:
 - a) Power (Green)
 - b) Protection (Yellow)
 - c) Alarm (Red)

2 Operation

2.1 AC Input Protection Device Requirements/Recommendations

Refer to the system documentation supplied with the system the rectifier is installed in.

2.2 Local Indicators

Location and Identification: Refer to Figure 2.1.

Description: There are three (3) indicators located on the rectifier's front panel. The functions of these indicators are as shown in Table 2.1.



NOTE! AC voltage must be present at the rectifier input terminals.

2.3 Rectifier High Voltage Shutdown and Lockout Restart

Procedure

1. Turn the power to the rectifier off or remove the rectifier, wait 30 seconds or more (until the LEDs on the rectifier extinguish), then turn the power to the rectifier on or re-insert the rectifier.

2.4 Rectifier Current Limit

When setting total rectifier current limit, the set point to each rectifier is the total set point divided by the number of rectifiers. For example, if the system contains five rectifiers and the current limit is set to 150 amps then each rectifier has a current limit set point of 30 amps. If one or more rectifiers are removed or fail it will take several seconds for the individual set points to the remaining rectifiers to be reset. In the example given, if one rectifier is removed the current limit set point will drop to 120 amps (30 amps times four remaining rectifiers) until the controller can send updated set points to the remaining rectifiers. This takes a couple communication cycles (several seconds) after which each rectifier would have a new set point of 37.5 amps for a total of 150 amps. The total current limit of the rectifiers should not be set such that the loss of the redundant rectifiers will cause this temporary set point to drop below the actual maximum expected load. If batteries are used on the rectifier output, the batteries should support the load until the current limit set points can be re-established due to loss of a rectifier.

Figure 2.1 Local Indicator Locations

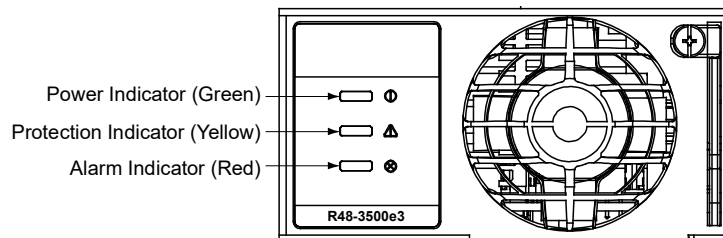





Table 2.1 Rectifier Indicators

Indicator		Normal State	Alarm State	Alarm Cause
	Power (Green)	On	Off	No input voltage. Internal input fuse open.
			Flashing	The rectifier is being identified by the controller.
	Protection (Yellow)	Off	On	AC input under/over voltage. PFC output under/over voltage. Moderate load sharing imbalance. Rectifier not inserted into the slot completely. Rectifier over-temperature protection. Rectifiers are operating in an output power derating mode (rectifiers derate when rectifier temperature rises above or input voltage falls below acceptable values). Rectifier in ECO Standby Mode when ECO Mode is active in controller.
			Flashing	Loss of communication with the controller (the rectifier can provide power).
	Alarm (Red)	Off	On	Severe load sharing imbalance. Rectifier output disabled for any reason, including overvoltage shutdown and internal output fuse open. Rectifier addresses contradictory.
			Flashing	Fan not operating (rectifier shuts down).

2.5 Installing Rectifiers

Rectifiers can be inserted or removed with power applied (hot swappable).



NOTE! Each rectifier module locks into a module mounting shelf by means of a latch located on the bottom of the rectifier. The latch and rectifier handle are interactive. Pushing the handle up into the rectifier's front panel causes the latch to extend to the locking position; pulling the handle down out from the rectifier's front panel causes the latch to retract. See Figure 2.2.



CAUTION! Double pole/neutral fusing. All-pole circuit breaker should be provided when used in IT power system, or if N line cannot be distinguished during field installation.



WARNING! To prevent damage to the latching mechanism, ensure the handle is in the open position when installing or removing a rectifier. NEVER hold the handle in the closed position when installing a rectifier into a shelf.

Procedure

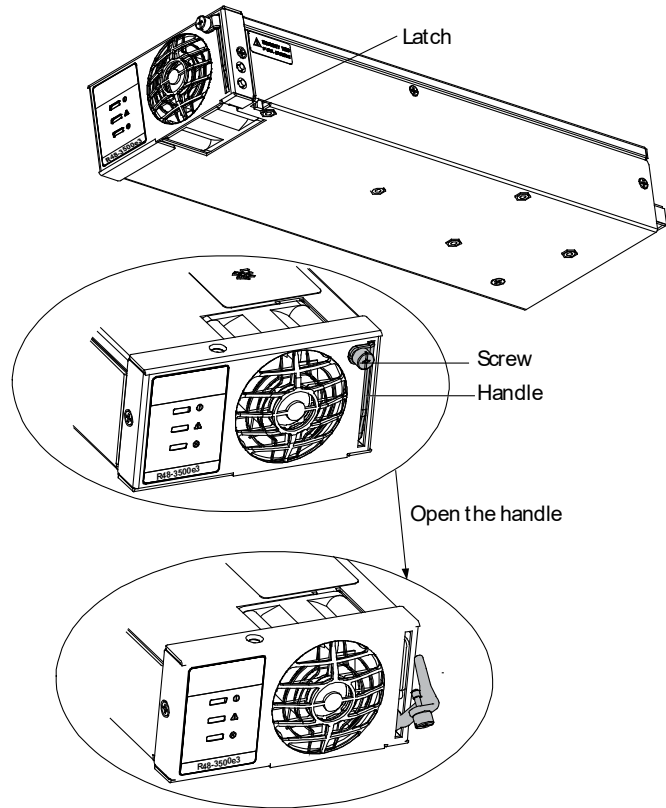


NOTE! Refer to Figure 2.2 as this procedure is performed.

1. Unpack the rectifier.
2. Place the rectifier into an unoccupied mounting slot without sliding it in completely.
3. Loosen the captive screw on the rectifier's handle. Pull the handle down out from the rectifier's front panel (this will also retract the latch mechanism). See Figure 2.2.
4. Push the rectifier completely into the shelf.
5. Push the handle up into the rectifier's front panel. This will lock the rectifier securely to the shelf. Tighten the captive screw on the handle.

6. Repeat the above steps for each rectifier being installed in the system.
7. After the rectifiers are physically installed in the module mounting shelf(s), they are ready for operation immediately after power is supplied to them.
8. Certain functions (i.e. rectifier current limit, rectifier addressing) may require adjustment when adding or replacing a rectifier. Refer to “Rectifier Current Limit” on page 11 and the Power System documentation for instructions.

Figure 2.2 Installing a Rectifier



3 Troubleshooting and Repair

3.1 Troubleshooting

3.1.1 Rectifier Current Sharing Imbalance

When multiple rectifiers are operating in parallel and the load is greater than 20%, if the current sharing imbalance among them is greater than 3%, check if the rectifier is properly seated in the shelf.




If the current sharing imbalance still persists following the verification suggested above, replace the rectifier exhibiting the current imbalance.

3.1.2 Rectifier Fault Symptoms and Troubleshooting

The fault indicators that can be displayed by the rectifier are as follows. Refer to Table 3.1 for a list of possible causes and corrective actions.

- Power Indicator (Green) OFF
- Protection Indicator (Yellow) ON
- Protection Indicator (Yellow) Flashing
- Alarm Indicator (Red) ON
- Alarm Indicator (Red) Flashing

Table 3.1 Rectifier Troubleshooting

Symptom		Possible Cause(s)	Suggested Action(s)
	Power Indicator (Green) Off	No input voltage.	Make sure there is input voltage.
		Internal input fuse open.	Replace the rectifier.
	Protection Indicator (Yellow) On	AC input under/over voltage.	Correct the AC input voltage to within the acceptable range.
		PFC under/over voltage.	Replace the rectifier.
		Moderate load sharing imbalance.	Check if the rectifier is properly seated in the shelf. If this does not correct the fault, replace the rectifier.
		Rectifier not inserted into the slot completely.	Remove and properly insert the rectifier.
		Rectifier over-temperature protection.	Fan rotor blocked: remove any object that may be blocking the fan. Ventilation blocked (inlet or outlet): remove any object that may be blocking the inlet or outlet. Ambient temperature too high or rectifier inlet too close to a heat source: lower the ambient temperature or relocate the heat source.
	Rectifier in ECO Standby Mode when ECO Mode is active in controller.	--	
	Protection Indicator (Yellow) Flashing	Loss of communication with controller (the rectifier can provide power).	Check the communication cables. Remove and properly insert the rectifier.
	Alarm Indicator (Red) On	Severe load sharing imbalance. Rectifier output disabled for any reason, including overvoltage shutdown and internal output fuse open.	Turn AC power to the rectifier off or remove the rectifier, wait 30 seconds or more (until the LEDs on the rectifier extinguish), then turn the AC power to the rectifier on or re-insert the rectifier. If rectifier fails to start, shuts down again, or load sharing imbalance persists; replace the rectifier.
		Rectifier addresses contradictory.	Replace the rectifier.
	Alarm Indicator (Red) Flashing	Fan not operating (rectifier shuts down).	Replace the fan.

3.2 Replacement Procedures

3.2.1 Rectifier Replacement

Rectifiers can be inserted or removed with power applied (hot swappable).



NOTE! Each rectifier module locks into a module mounting shelf by means of a latch located on the bottom of the rectifier. The latch and rectifier handle are interactive. Pushing the handle up into the rectifier's front panel causes the latch to extend to the locking position; pulling the handle down out from the rectifier's front panel causes the latch to retract. See Figure 2.2.



DANGER! Take care when removing a rectifier that was in operation, as rectifier surfaces could be very hot.



WARNING! To prevent damage to the latching mechanism, ensure the handle is in the open position when installing or removing a rectifier. NEVER hold the handle in the closed position when installing a rectifier into a shelf.

Procedure



NOTE! Refer to Figure 2.2 as this procedure is performed.

1. Performing this procedure may activate external alarms. Do one of the following. If possible, disable these alarms. If these alarms cannot be easily disabled, notify the appropriate personnel to disregard any alarms associated with this system while this procedure is performed.
2. On the rectifier to be removed, loosen the captive screw on the rectifier's handle. Pull the handle down out from the rectifier's front panel (this will also retract the latch mechanism). See Figure 2.2.
3. Grasp the handle and pull firmly to remove the rectifier from the shelf.
4. Place the replacement rectifier into the mounting position without sliding it in completely.
5. Loosen the captive screw on the rectifier's handle. Pull the handle down out from the rectifier's front panel (this will also retract the latch mechanism). See Figure 2.2.
6. Push the rectifier completely into the shelf.
7. Push the handle up into the rectifier's front panel. This will lock the rectifier securely to the shelf. Tighten the captive screw on the handle.
8. Certain functions (i.e. rectifier current limit, rectifier addressing) may require adjustment when adding or replacing a rectifier. Refer to "Rectifier Current Limit" on page 11 and the Power System documentation for instructions.
9. After the rectifiers are physically installed in the module mounting shelf(s), they are ready for operation immediately after power is supplied to them. Verify that the rectifiers are operating normally.
10. Enable the external alarms, or notify appropriate personnel that this procedure is finished.
11. Ensure that there are no local or remote alarms active on the system.

3.2.2 Rectifier Fan Replacement

Each rectifier uses a fan (P/N 32010544) for cooling. If fan replacement should become necessary, perform the following procedure.



CAUTION! In a system with NO redundant rectifier, battery must have sufficient reserve to power the load(s) while the rectifier is removed for fan replacement.



NOTE! When performing any step in this procedure that requires removal of existing hardware, retain all hardware for use in subsequent steps.

Procedure

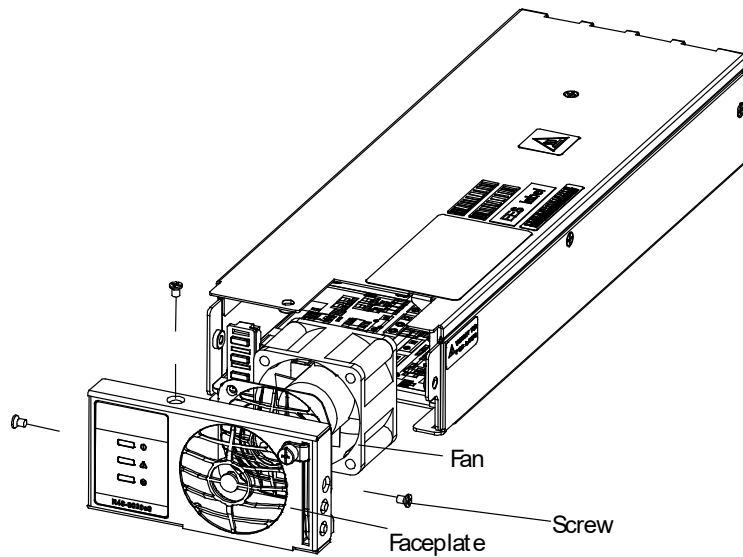


NOTE! Refer to Figure 3.1 as this procedure is performed.

1. Performing this procedure may activate external alarms. Do one of the following. If possible, disable these alarms. If these alarms cannot be easily disabled, notify the appropriate personnel to disregard any alarms associated with this system while this procedure is performed.
2. Remove the rectifier from the shelf. Refer to a previous procedure for step-by-step instructions.
3. Place the rectifier on a static-safe work surface. Connect an approved grounding strap to your wrist for the remainder of this procedure.
4. On this rectifier; remove the front panel by removing the three (3) screws securing the front panel to the chassis.
5. For proper orientation of the new fan, observe the location of the fan wires and the fan rotation and air flow arrows on the old fan.

6. Carefully remove the fan from the rectifier chassis and unplug the fan power cable from the printed circuit card.
7. Plug the power cable of the replacement fan into the connector on the printed circuit card. Carefully slide the replacement fan into the rectifier chassis (ensure the fan wires and fan rotation and air flow arrows match the orientation of the old fan).
8. Note that the fan has four holes in the front corners and that the faceplate has three tabs. Carefully slide the faceplate into position, aligning the fan holes with the faceplate tabs. Secure the faceplate to the rectifier chassis with the three (3) screws previously removed.
9. Replace the rectifier into the shelf. Refer to the previous procedure for step-by-step instructions.
10. When the fan starts, check to ensure that it is providing front-to-back airflow. If air direction is wrong, immediately remove the rectifier from the shelf. Repeat previous steps to check fan orientation, and correct as necessary. Reinstall the rectifier and again check for proper airflow.
11. Enable the external alarms, or notify appropriate personnel that this procedure is finished.
12. Ensure that there are no local or remote alarms active on the system.

Figure 3.1 Rectifier Fan Replacement



This page intentionally left blank.

Connect with Vertiv on Social Media



<https://www.facebook.com/vertiv/>



<https://www.instagram.com/vertiv/>



<https://www.linkedin.com/company/vertiv/>



<https://www.twitter.com/vertiv/>



Vertiv.com | Vertiv Headquarters, 1050 Dearborn Drive, Columbus, OH, 43085, USA

© 2022 Vertiv Group Corp. All rights reserved. Vertiv™ and the Vertiv logo are trademarks or registered trademarks of Vertiv Group Corp. All other names and logos referred to are trade names, trademarks or registered trademarks of their respective owners. While every precaution has been taken to ensure accuracy and completeness here, Vertiv Group Corp. assumes no responsibility, and disclaims all liability, for damages resulting from use of this information or for any errors or omissions. Specifications, rebates and other promotional offers are subject to change at Vertiv's sole discretion upon notice.