

Vertiv™ Liebert® GXE External Battery Cabinet 1-3 kVA

GXE3-EBC24VRT2U, GXE3-EBC36VRT2U, GXE3-EBC48VRT2U, GXE3-EBC72VRT2U



Quick Installation Guide



Thank you for your recent purchase of a Vertiv UPS! We appreciate your business and are confident that your new product will provide many years of uninterruptible power to your connected equipment. With this purchase, you may also want to consider Vertiv's complete line of racks, PDUs, thermal solutions, KVM switches, and serial consoles. If you require any assistance or support, please don't hesitate to reach out to one of our resellers, local representative firms, or refer to Vertiv contacts listed at the end of this document. We stand ready to support you. We sincerely hope that you'll continue to select Vertiv for all of your future infrastructure needs!

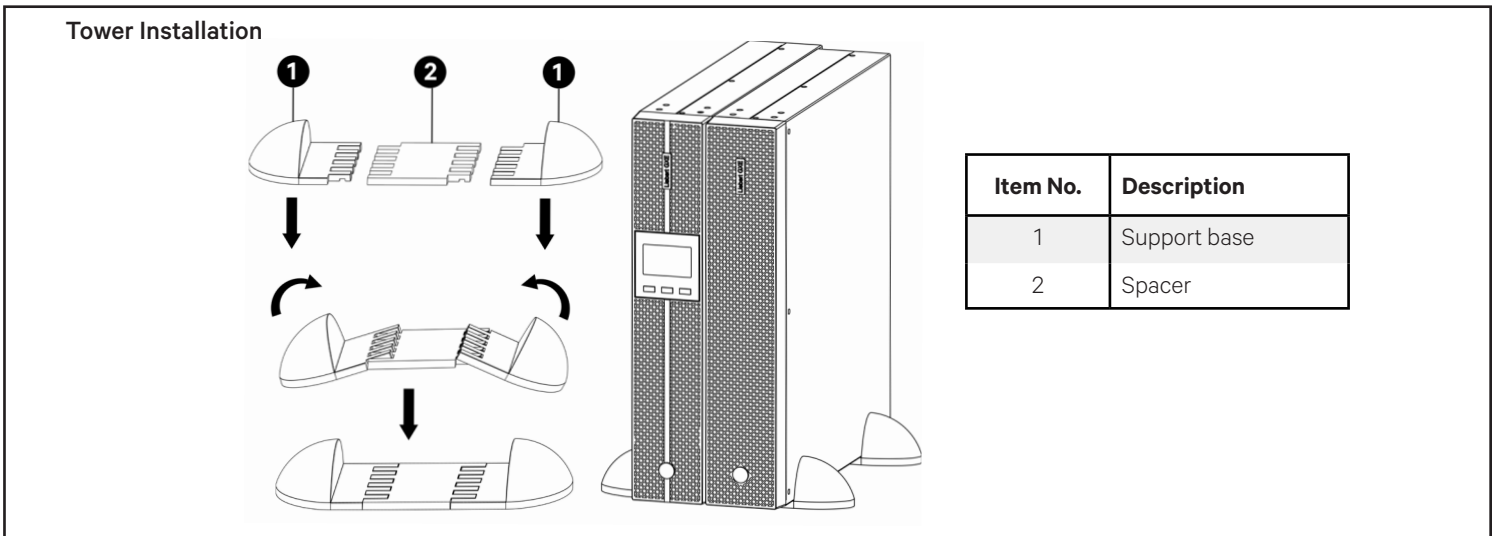
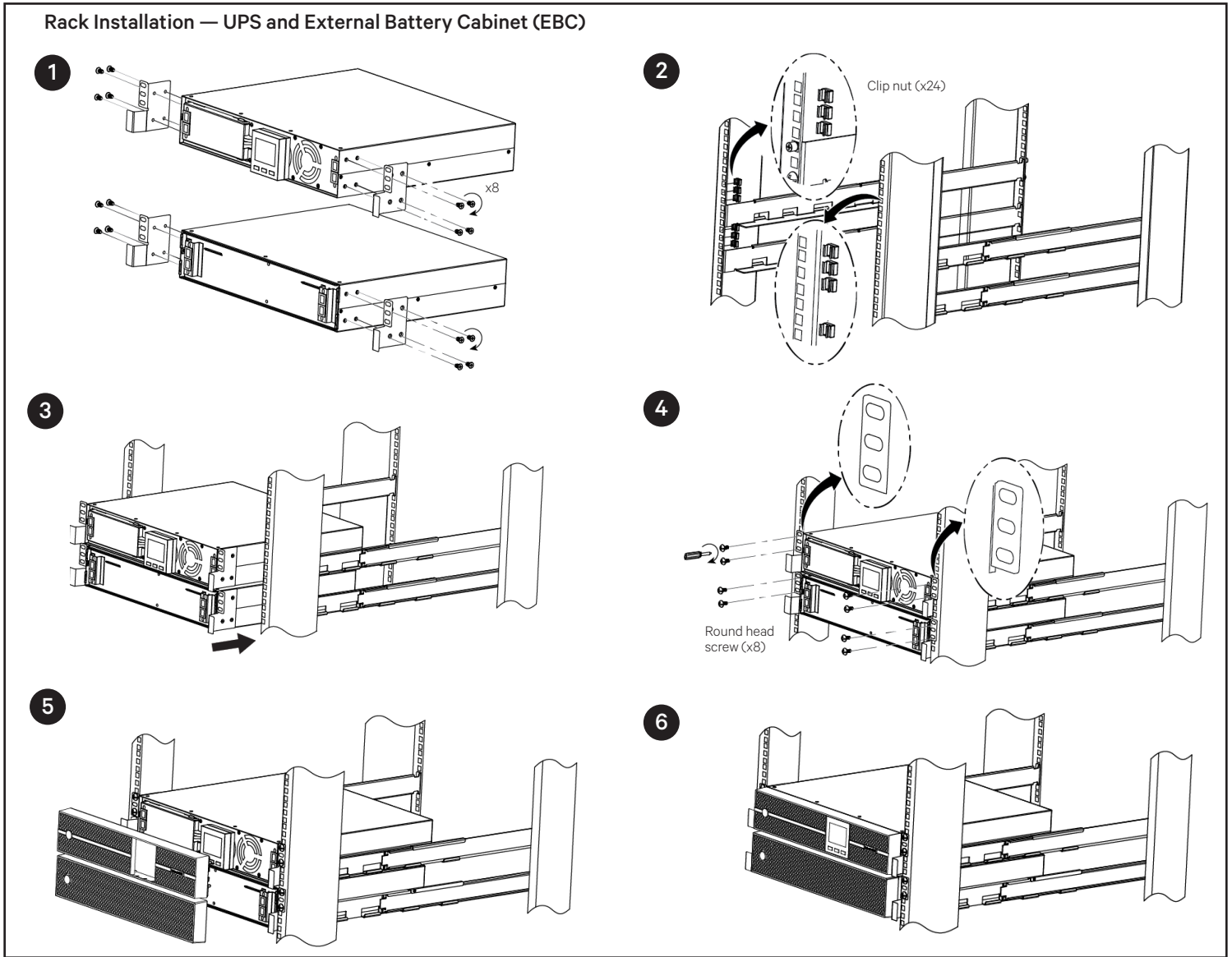
The Vertiv Team

IMPORTANT: Before installing, connecting to supply, or operating the Vertiv™ Liebert® GXE UPS, refer to the SL-55024 Safety and Regulatory Statements Sheet. For detailed installation, operation, maintenance, and troubleshooting information, refer to the Vertiv™ Liebert® GXE User Guide available at www.Vertiv.com.

Items Included in the Package

No.	Items	Quantity
1	Quick installation guide	1
2	4-post rack mounting kit (1U)	1
3	Rack mounting ears (left-right)	1
4	Foot stand (left-right)	2
5	Mounting hardware	26
6	4-post rack mounting kit — Quick installation guide	1
7	Safety and regulatory statements sheet	1
8	Factory test report	1
9	Power cable for connection of the external battery cabinet (0.6 meter)	1

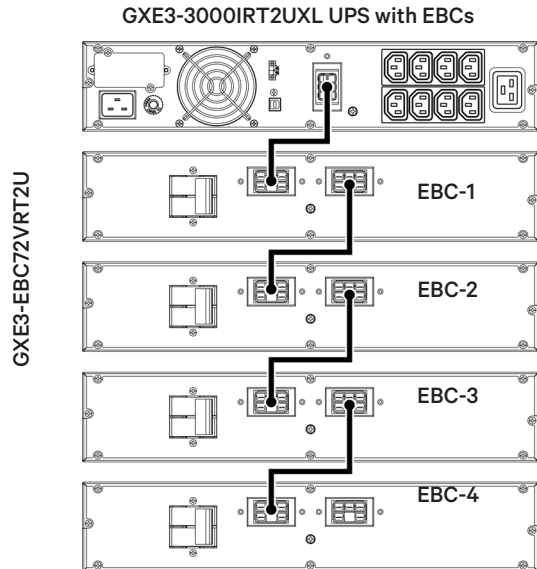
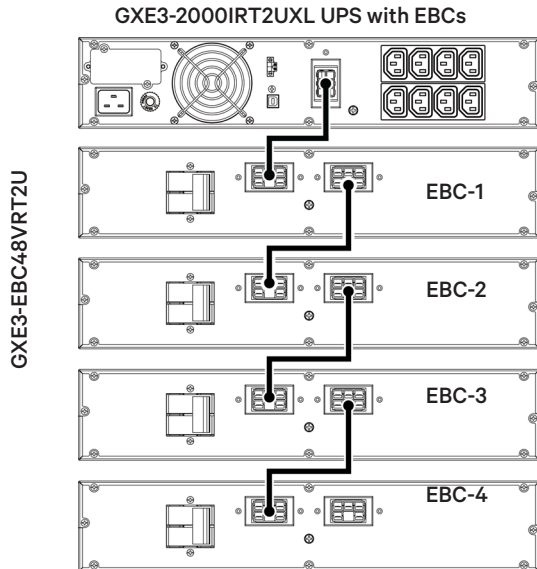
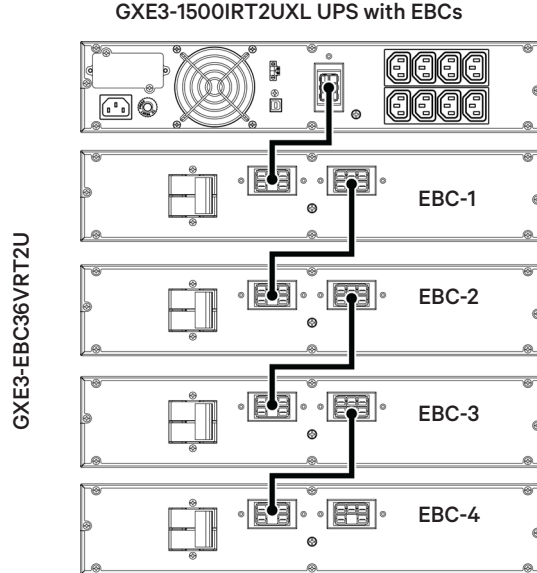
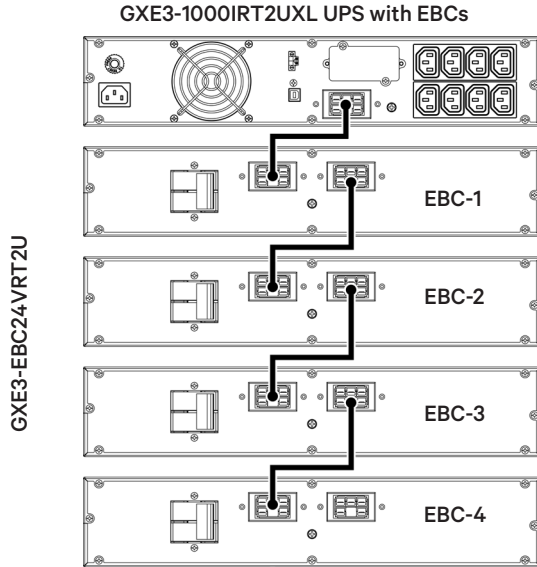
Quick Installation Guide



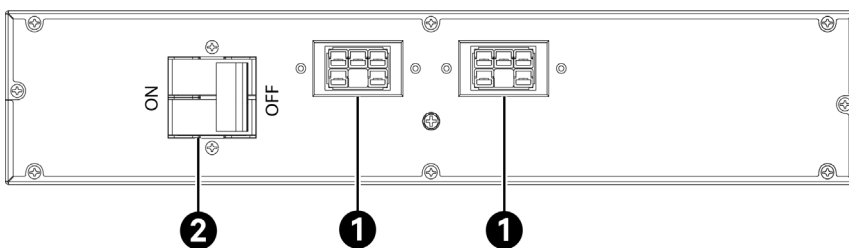
Quick Installation Guide

UPS and EBC Connections

1. Connect the EBCs (as shown in below images) using the provided cables.
2. Close all the circuit breakers on each EBCs.



EBC — Rear View



Item No.	Description
1	EBC connector
2	Isolation breaker

Vertiv Support Contact Information (Single Phase UPS)

Country	Email	Phone		
Europe, Middle-East and Africa				
Belgium	Support for Products Purchased Directly from Vertiv	0080011554499		
Czech Republic				
France				
Germany				
Hungary				
Ireland				
Italy				
Luxembourg				
Netherlands				
Poland				
Russia			ServiceWarranty.emea@vertiv.com	81080011554499
South Africa				002780080011554499
Spain				0080011554499
Sweden			Support for Products Purchased from IT Channel	80011554499
Switzerland			warranty.channel.emea@vertiv.com	0080011554499
United Kingdom				
UAE		800035702985		
Saudi Arabia		8008446628		
Qatar		00800100439		
Romania		0800477000		
Croatia		0800989019		
Nigeria		002347080601125		
Ghana		242426263		
Turkey		0090 216 444 9545		
Egypt		0049872327743		
Bahrain		0049872327744		
Greece		0080044146622		
Denmark		0049872327746		
Norway		0049872327747		
Finland		0049872327748		

Country	Email	Phone
Latin America		
Argentina	Callcenter.Argentina@vertiv.com	0800-1220869
Brazil	sac.crc@vertiv.com	0800-208-8000
Bolivia	Callcenter.Bolivia@vertiv.com	NA
Chile	Callcenter.Chile@vertiv.com	800-395429
Colombia and CCA	Callcenter.Colombia@vertiv.com	018000-125527
Mexico	Callcenter.Mexico@vertiv.com	800-2530414
Paraguay	Callcenter.Paraguay@vertiv.com	NA
Peru	Callcenter.Peru@vertiv.com	0800-77737
Uruguay	Callcenter.Uruguay@vertiv.com	NA
South-East Asia, Australia and New Zealand		
Australia	au.service@vertiv.com	1300-367-686 option 1, and option 1 again
New Zealand	au.service@vertiv.com	0800-100-877
Philippines	ph.service@vertiv.com	+63 2 8620-3655 option 1
Singapore	sg.service@vertiv.com	1800-467-2326
Malaysia	my.service@vertiv.com	1800-28-1388

To contact Vertiv Technical Support: visit www.Vertiv.com

© 2023 Vertiv Group Corp. All rights reserved. Vertiv™ and the Vertiv logo are trademarks or registered trademarks of Vertiv Group Corp. All other names and logos referred to are trade names, trademarks or registered trademarks of their respective owners. While every precaution has been taken to ensure accuracy and completeness here, Vertiv Group Corp. assumes no responsibility, and disclaims all liability, for damages resulting from use of this information or for any errors or omissions.

