

Liebert® GXT5™ PD5-201/202

Quick Installation Guide

1 Product Introduction

The Liebert GXT5 PD5 POD provides maintenance bypass capability as well as power output distribution. The Liebert GXT5 PD5 POD can be used on GXT5 UPSs in either rack mount or tower configuration. The Liebert GXT5 PD5 POD provides an isolated path of power for your UPS system for preventive maintenance or service.

1.1 Rear Panel

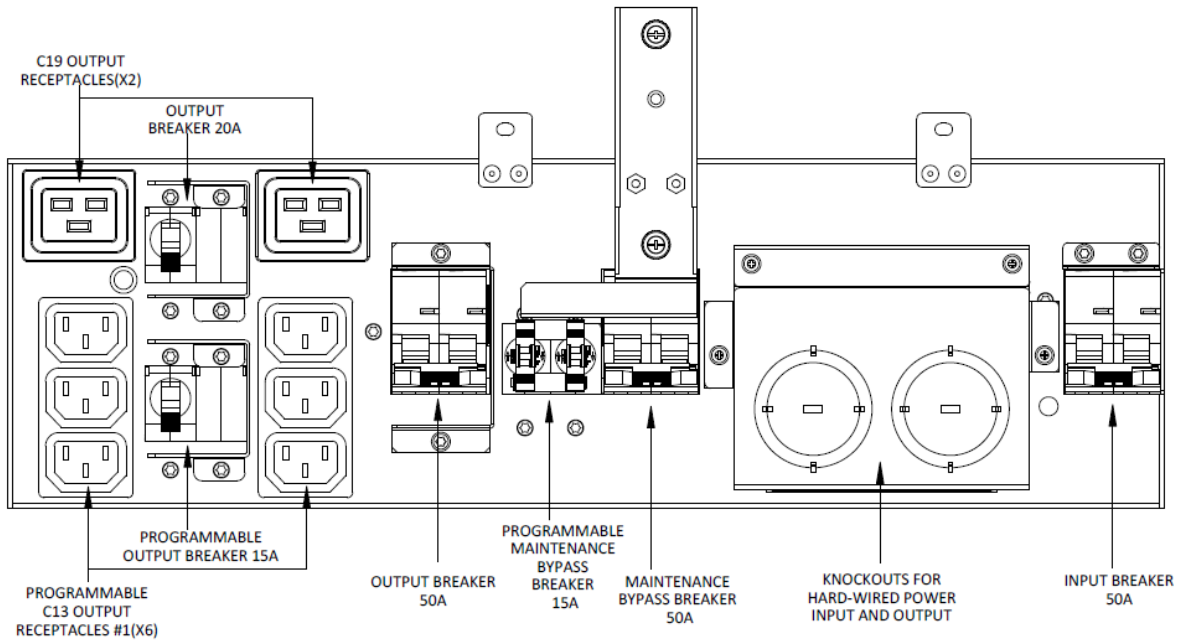


Figure 1 Liebert GXT5 PD5-201 real panel

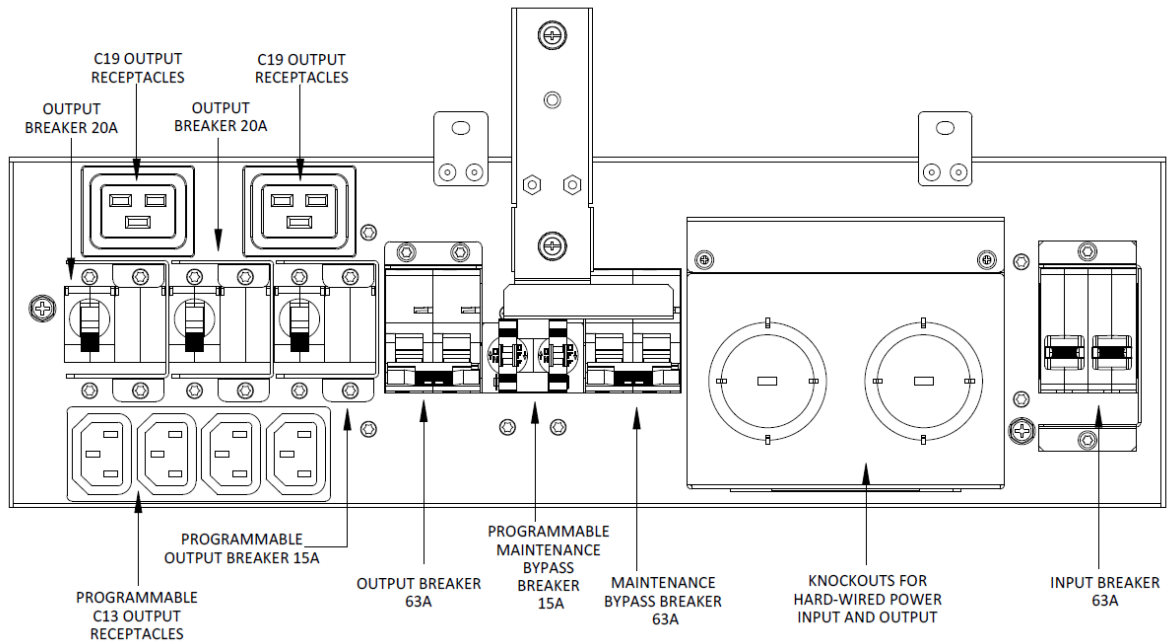


Figure 2 Liebert GXT5 PD5-202 real panel

2 Installation

The PD5 POD must be used together with its corresponding UPS, see Table 1.

Table 1 Corresponding UPS for the PD5-201/202

POD Model	Corresponding UPS Model
PD5-201	GXT5-5000HVRT5UXLN
	GXT5-6KL630RT5UXLN
PD5-202	GXT5-8000HVRT5UXLN
	GXT5-10KHVRT5UXLN

2.1 POD And Wiring Installation

The UPS is hardwired input with a conduit entry knockout provided. Input and output wiring should be installed in separate conduits. All wiring should be done in accordance to all local and national electrical codes. Before wiring the UPS, ensure that the breaker in the external upstream panelboard is OFF.

Table 1 Electrical specifications

UPS Model	Recommended (Maximum) External Overcurrent Protection	Recommended Wire (All wires) (90°C copper wire)	Maximum Wire Accepted by Terminal Block	Terminal Tightening Torque
GXT5-5000HVRT5UXLN	50A	8 AWG (6mm ²)	6AWG (10mm ²)	20 in.-lb (2.26 Nm)
GXT5-6KL630RT5UXLN				
GXT5-8000HVRT5UXLN	60A	6AWG (10mm ²)		
GXT5-10KHVRT5UXLN	70A			



Figure 3 Terminal block connections

2.2 Installation on a Liebert GXT5 UPS

Note:

This manual provides instructions for the Liebert GXT5 PD5 POD only. Refer to your UPS manual for UPS operation and installation instructions.

UPS Removal

1. Transfer the connected equipment to the internal bypass.
 - a. Loosen the upper maintenance bypass captive screw over maintenance bypass breaker.
 - b. Lift the maintenance bypass breaker cover up and tighten the lower maintenance bypass breaker captive screw.
2. Confirm that the UPS is operating in internal bypass. If not, then manually transfer the connected equipment to bypass as follows:
 - a. From the main menu select CONTROL, then press Enter.
 - b. Select Turn on/off/to bypass and press Enter.
 - c. Select Turn to bypass and press Enter.

Note:

The load is unprotected from disturbances in the power supply while the UPS is on bypass.

3. Turn maintenance bypass breakers and programmable maintenance bypass breaker on.
4. Turn the internal bypass off as follows:
 - a. From the main menu select CONTROL, then press Enter.
 - b. Select Turn on/off/to bypass and press Enter.
 - c. Select Turn off UPS and press Enter.
5. Turn off breakers as follows:
 - a. For 5kVA and 6kVA models, Turn off input breaker, 50A output breaker, and 15A programmable output breaker.

Caution:

Do not turn off 20A output breaker!

- b. For 8kVA and 10kVA models, Turn off input breaker, 63A output breaker, and 15A programmable output breaker.

Caution:

Do not turn off 20A output breaker!

6. Do not perform any operations until the UPS is completely turned-off.
7. Loosen other captive screws until the power-distribution box releases.
8. Remove the power distribution box from the UPS and set it aside.

9. On the rear of the panel, loosen the screws of the protective cover for the connectors, slide it over the connectors, and tighten the **screws**.

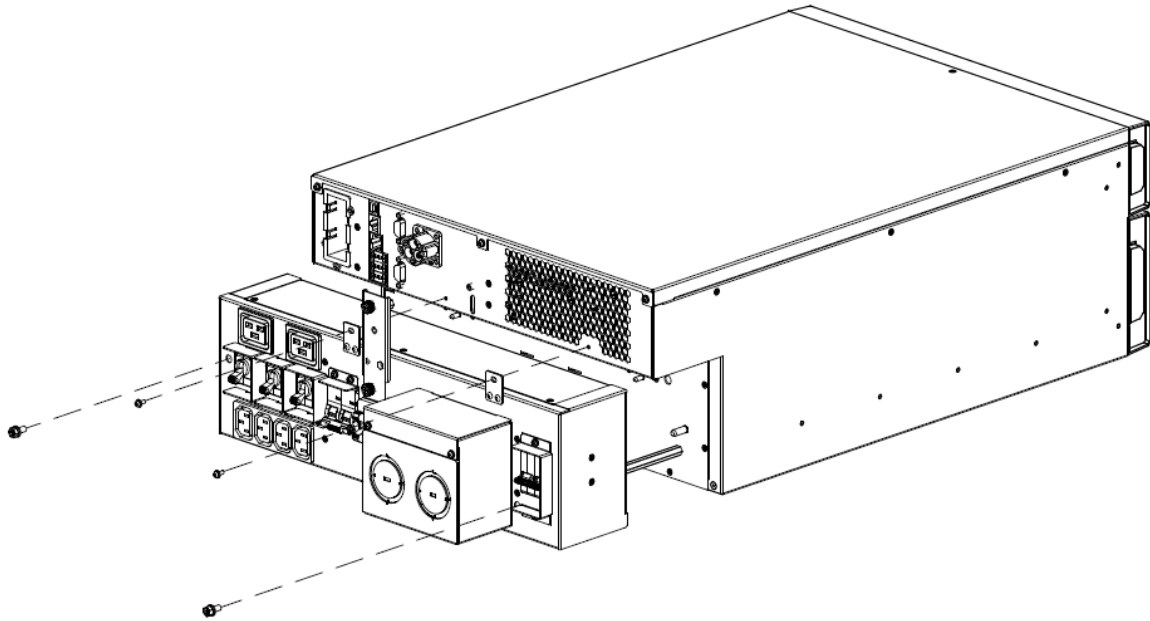


Figure 4 Liebert GXT5 PD5 POD Remove/Install to GXT5 UPS

UPS Installation

1. Align the connectors and press the power-distribution box onto the UPS.
2. Hold the box firmly against the UPS and tighten the captive screws
3. Turn input breaker on.

Note:

If there is bypass breaker on the POD, turn the bypass breaker on at the same time.

4. Start the UPS according to startup instructions. Make sure the UPS is operating in bypass mode. If the newly installed UPS does not have internal battery, then manually turn on the Start with no battery function and turn on the output, as follows
 - a. From the main menu select Settings, then press Enter.
 - b. Select System and press Enter.
 - c. Select Start with no battery and press Enter.
 - d. Select Enable and press Enter.
 - e. From the main menu select CONTROL, then press Enter.
 - f. Select Turn on/off/to bypass and press Enter.
5. Verify the UPS output is available. Turn output breakers on.
6. Turn maintenance bypass breaker(s) off.
7. Tighten maintenance bypass captive screw over the maintenance bypass breaker.
8. Turn the inverter back on.

Single-Phase UPS & Server Cabinets Technical Support

liebert.upstech@vertivco.com

800-222-5877

Outside North America: +00800 1155 4499

Vertiv Tech Worldwide Locations

United States

1050 Dearborn Drive

P.O. Box 29186

Columbus, OH 43229

800-222-5877

Asia

29/F, The Orient Square Building

F. Ortigas Jr. Road, Ortigas Center

Pasig City 1605

Philippines

+63 2 687 6615

Fax: +63 2 730 9572

Europe

Via Leonardo Da Vinci 8

Zona Industriale Tognana

35028 Piove Di Sacco (PD) Italy

+39 049 9719 111

Fax: +39 049 5841257

Version V1.0

Revision date November 03, 2020