

VERTIV™ LOCAL RACK ACCESS 18.5" LCD



QUICK INSTALL GUIDE

OVERVIEW

The Vertiv™ Local Rack Access LCD console integrates 18.5" monitor, keyboard and touch-pad mouse, It also has two USB2.0 compliant pass-through ports, which provide faster data transmission between your console and connected devices. For more information, please refer to Appendix: USB2.0 Speed Chart.

The console occupies 1RU (EIA term where 1RU = 1.75" of mounting height) of vertical space in a rack. The Static Rail Kit of the device can accommodate LCD console and a KVM device of Vertiv™ (AV2000/AV3000/AV100 Series) in the same 1RU.

VERTIV™ LOCAL RACK ACCESS 18.5" LCD CONSOLE CONTENTS

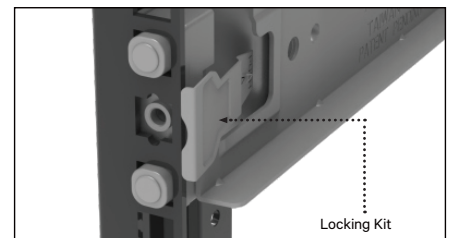
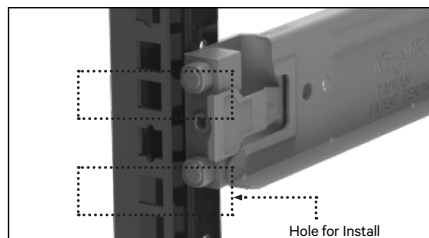
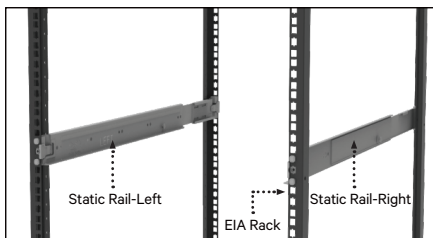
All products contain the following items:

- One LCD console with built-in LCD monitor, keyboard, touch mouse and dual USB 2.0 ports.
- One set tool-less mounting Static Rail Kit
- One set Mount Kit (For KVM)
- The relevant cables.
- Miscellaneous hardware kit (user manual, warranty card and cable straps).

Note: If you are installing more than one unit at the same time, make sure that the LCD console is used with the static rails contained inside. Static Rails and units must be paired together. Mismatched pairs may result in a damaged installation.

INSTALLING IN A STANDARD EIA RACK

How to install the Static Rails in a standard EIA Rack



Installing the Static Rails into a standard EIA rack:

1. Select the installation position of LCD console on EIA Rack.
2. The Static Rail is divided by left and right parts (the inner side of the front section of the guide rail is marked with left and right respectively). Installing the corresponding left and right rails in the left and right directions.
3. Align one end of the static rail with the hole position of the rack installation side, press the locking kit (the position indicated by the arrow above), and make the spring piece of the locking device buckle outward on the outside of the rack installation side.
4. Repeat step 3 to install the other end of static rail.
5. Repeat steps 3-4 for the static rail on the other side of the rack.

Note: The "left" and "right" mentioned in this section are used to describe the rail view seen from the front of the rack.

Note: One person can install the static rail. It is recommended to install it by two persons.

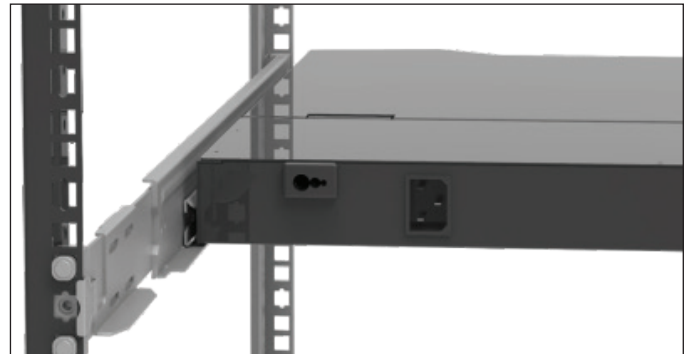
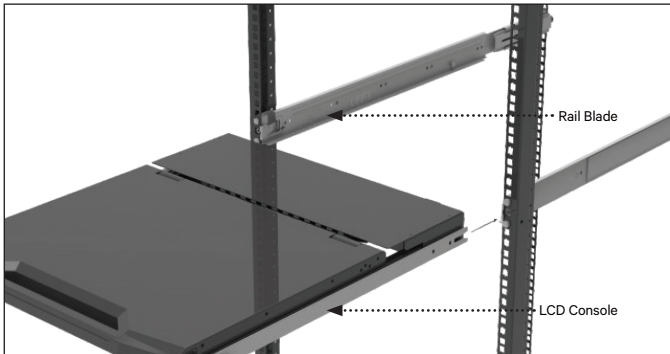
Note: The left and right rails must be installed at the same height of the rack, otherwise it may cause equipment damage and personal injury.

VERTIV™ LOCAL RACK ACCESS 18.5" LCD

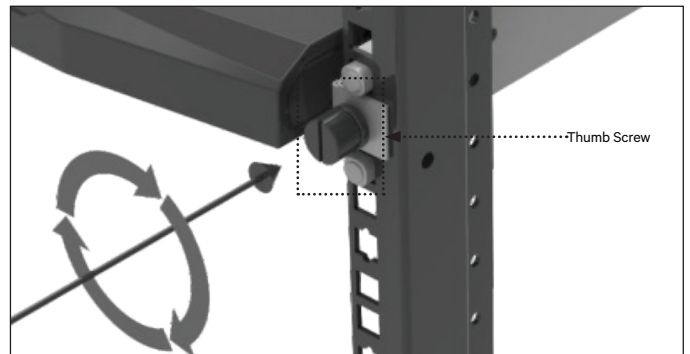
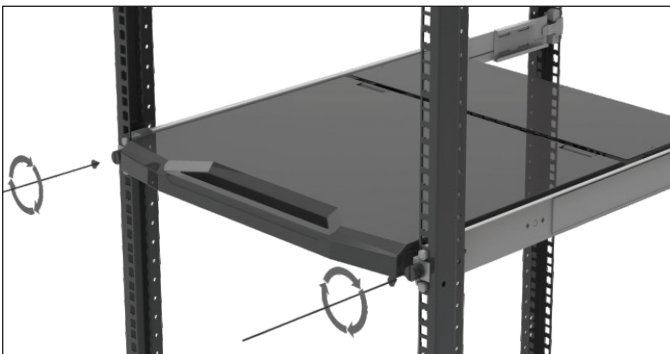
Quick Install Guide

LCD CONSOLE INSTALLATION

How to install the LCD Console:



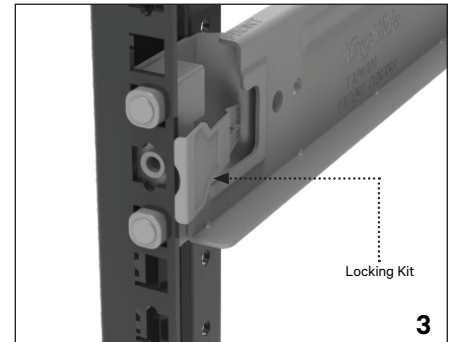
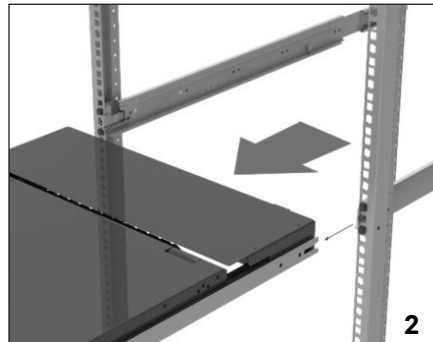
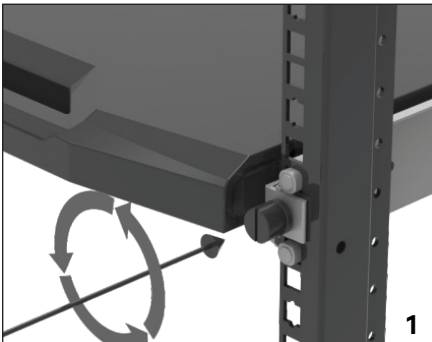
1. Insert the LCD Console into the fixed Static Rail blade and push the LCD Console inward until the LCD Console mounting ears is flush with the rack.



2. Rotate the self-contained screw of LCD Console and lock it into the hole on I-guide rail until it is locked and fixed.

REMOVING THE LCD CONSOLE FROM THE RACK

Removing the LCD Console from the Rack:



1. Disconnect the LCD console from all power and signal connections.
2. Unscrew the Thumbscrew and Pull the LCD Console out from the Static Rail.
3. Hold one side of the Static Rail, press the locking-kit and remove the Static Rail.
4. Repeat step 3 to remove the Static Rail on the other side.

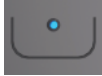
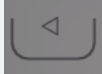



Using the Monitor

The following section contains basic information about using the monitor. Use the control buttons under the monitor to adjust the parameters of the displayed image. The relevant control buttons are touch buttons.

Note: There may be a slight delay in response time after pressing a button. Repeatedly pressing a button will result in multiple responses.

The user controls on the front of the LCD monitor function are detailed in the following table:

LCD Monitor User Control Descriptions

Icon	Control	Description
	Power	Touch this button to turn the monitor on and off. When it's illuminated blue, the monitor is in normal operation.
	Left Arrow	Touch one of these buttons to select the function that is to be adjusted. Once you select an adjustment, use the arrow keys to increase or decrease the value of the selected adjustment.
	Right Arrow	
	Menu	Touch this button to display the OSD menu and set the controls on the OSD menu.
	Exit	Press this button to exit the OSD function or to go back to the previous menu.

THE FOLLOWING TABLE DESCRIBES THE MENU CONTROL OPTIONS

Menu Control Options:

Setting	Description
Brightness / Contrast	
Brightness	Adjust the brightness of the monitor
Contrast	Adjust the contrast of the monitor
Energy Saving Mode	Energy saving mode can adjust low energy saving, high energy saving and standard mode
Dynamic Contrast	Adjust the ratio of black to white on the screen
Image Settings	
Horizontal Position	Fills the screen to the maximum amount of space without changing the aspect ratio
Vertical Position	Completely fills screen
Phase	Adjusted image definition
Graphic Scale	Can be the width scale of the display
Color Setting	
Color Setting	Adjust the display color
Red	Cannot be modified
Green	Cannot be modified
Blue	Cannot be modified
OSD Settings	
Language	The language selection, settings are displayed as simplified Chinese, Japanese, Korean, English, German, French, Spanish, Russian or traditional Chinese
Horizontal Position	Adjustment OSD menu horizontal position
Vertical Position	Adjust OSD menu vertical position
Transparency	Adjust the transparency value of the interface
Reset	
Signal Detection	Reselect signal source
Reset	Reset all default settings
Auto Adjust	Automatically adjust drawings to factory defaults
Color Auto Adjust	Automatically adjust color to factory default

Technical Specifications

Item	Specifications
Display	
Size	18.5 inch
Display Area (Horizontal × Vertical)	409.8 (H) × 230.4 (V)
Pixel Spacing (Horizontal × Vertical)	300 × 300 μm
Characteristic	
Brightness	250 cd/m ² (Typ.)
Contrast	1000:1 (Typ.)
Display Colors	16.7 million colors
Aspect Ratio	16:9
Scale	1:1, Aspect and Fill
Display Resolution	
Optimum Mode	1366 × 768 @ 60Hz
Maximum Mode	1920 × 1080 @ 60Hz
Connector	VGA
Power Supply	AC 100~240V, 50/60Hz to DC 12 V
Power Consumption	
Standard Usage	17W
Maximum Usage	22W
Maximum Power Supply	36W
Environment Condition	
Operating Temperature	0°C ~ 50°C
Operating Humidity	10% ~ 80%, no condensation
Operating Altitude	3000 meters maximum
Storage Temperature	-20°C ~ 60°C
Storage Humidity	5% ~ 95%
Keyboard	
Type	100 key keyboard and touchpad, USB plug and play

Note: “” on the LCD Console keyboard can bring up the KVM menu (Must be supported by the KVM appliance firmware).

APPENDIX :USB 2.0 SPEED CHART

USB Maximum Speed Chart

Device / Target	USB 1.1 Target	USB 2.0 Target	USB 3.0 Target
USB 1.1 Device	12 Mbit/s	12 Mbit/s	12 Mbit/s
USB 2.0 Device	12 Mbit/s	480 Mbit/s	480 Mbit/s
USB 3.0 Device	12 Mbit/s	480 Mbit/s	480 Mbit/s

To contact Vertiv technical support: visit Vertiv.com

© 2020 Vertiv Group Corp. All rights reserved. Vertiv™ and the Vertiv logo are trademarks or registered trademarks of Vertiv Group Corp. All other names and logos referred to are trade names, trademarks or registered trademarks of their respective owners. While every precaution has been taken to ensure accuracy and completeness here, Vertiv Group Corp. assumes no responsibility, and disclaims all liability, for damages resulting from use of this information or for any errors or omissions. Specifications, rebates and other promotional offers are subject to change at Vertiv's sole discretion upon notice.