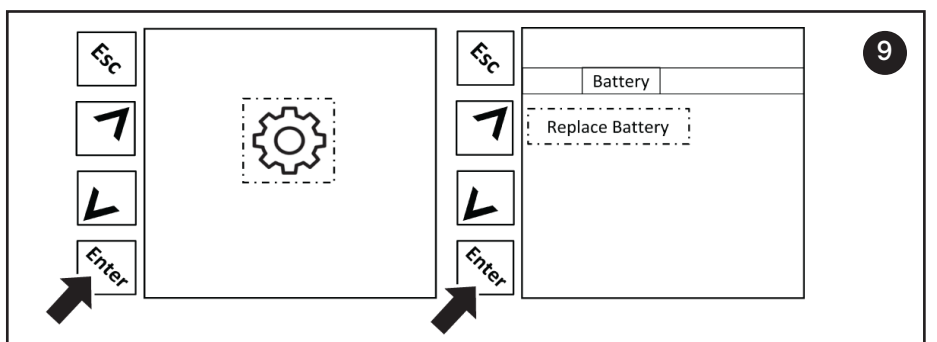
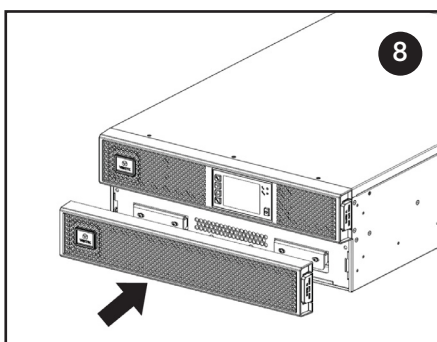
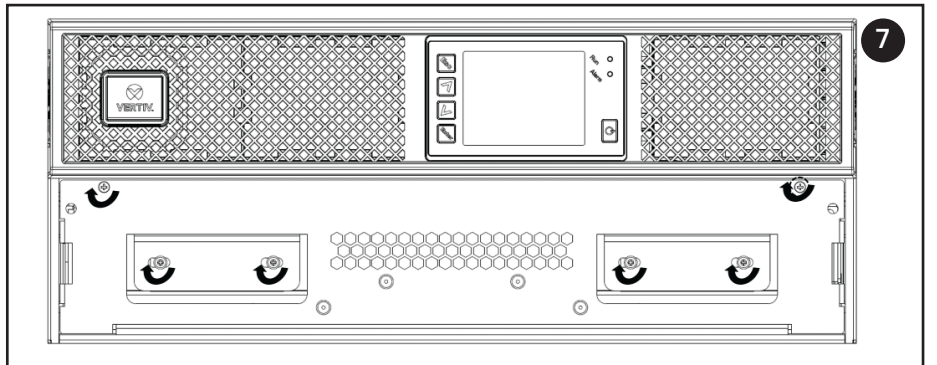
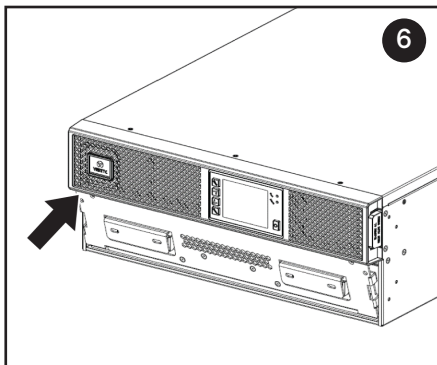
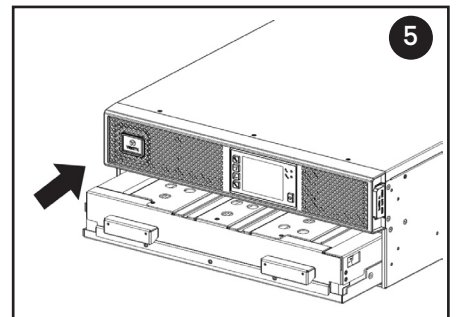
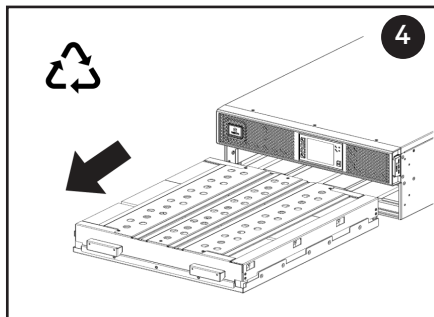
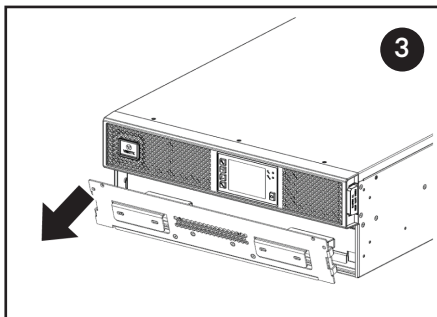
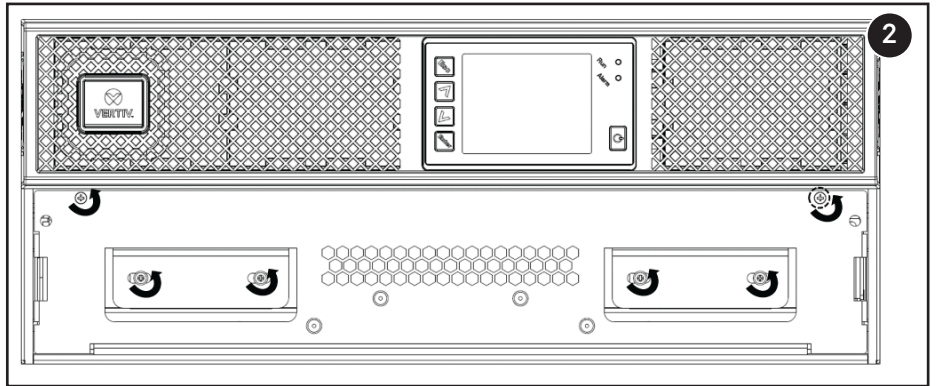
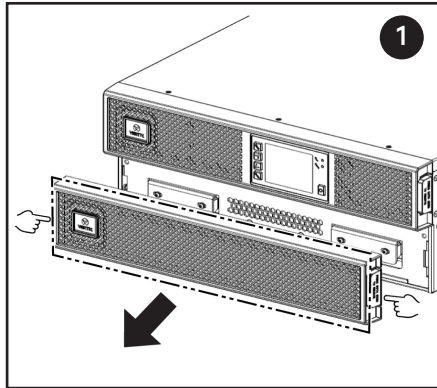


Vertiv™ Liebert® GXE Battery Replacement

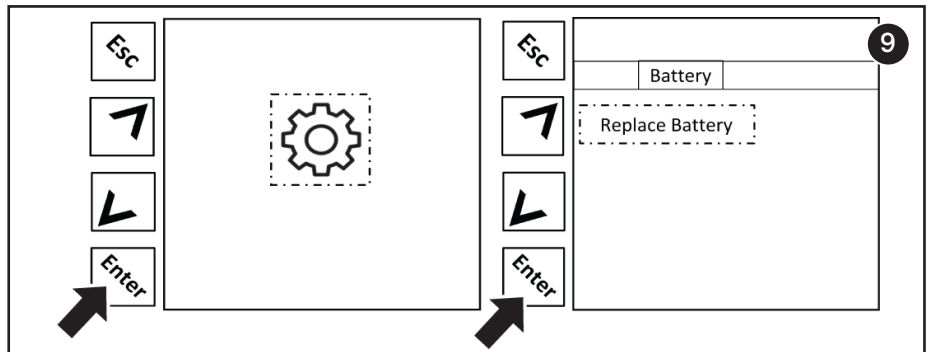
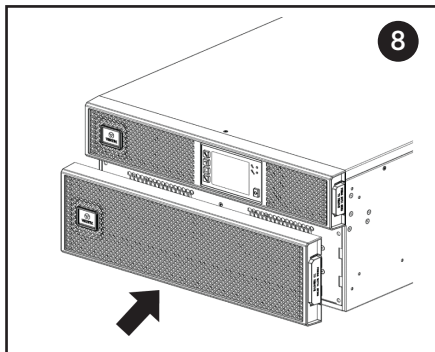
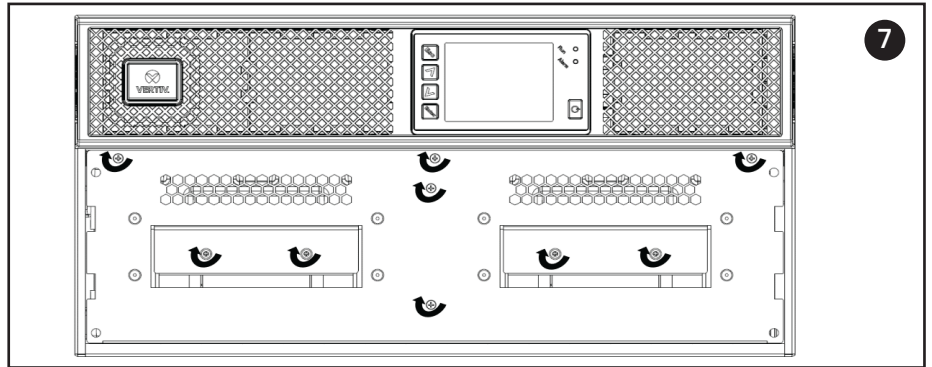
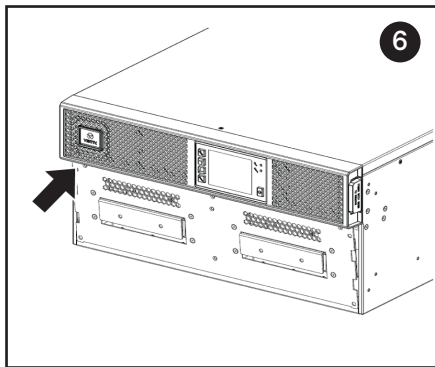
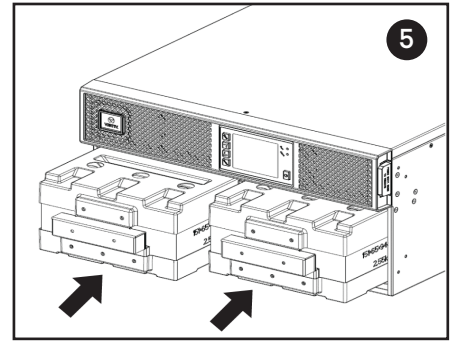
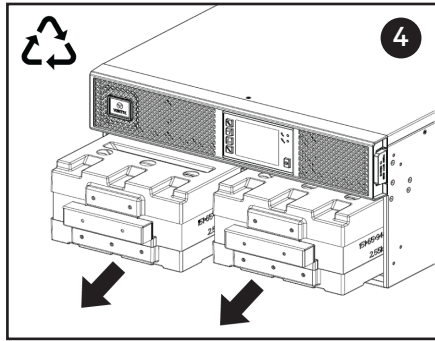
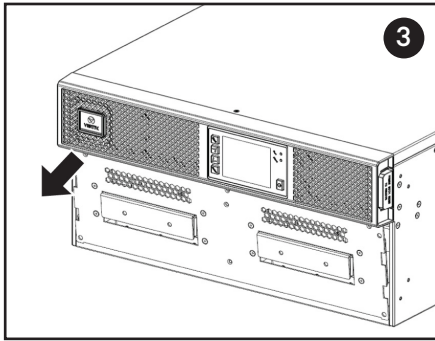
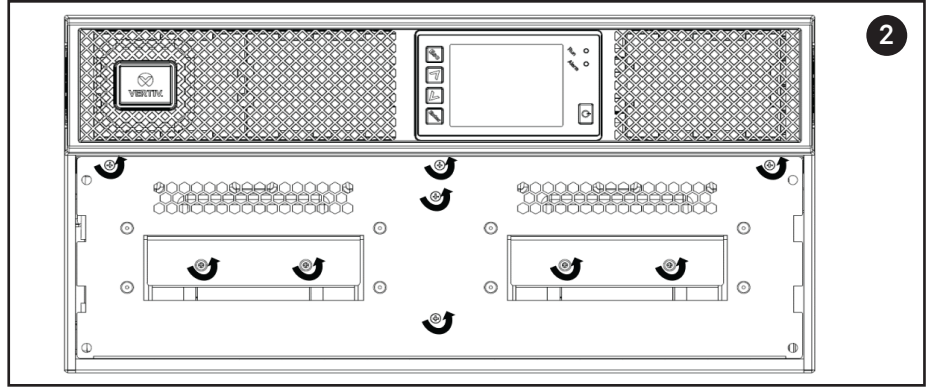
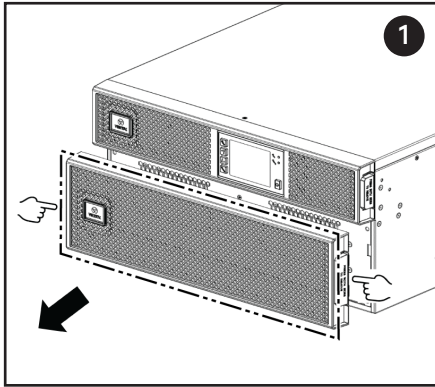


Quick Installation Guide

GXE3-6000IRT4UXL



GXE3-10KIRT5UXL



To contact Vertiv Technical Support: visit www.Vertiv.com

©2023 Vertiv Group Corp. All rights reserved. Vertiv™ and the Vertiv logo are trademarks or registered trademarks of Vertiv Group Corp. All other names and logos referred to are trade names, trademarks or registered trademarks of their respective owners. While every precaution has been taken to ensure accuracy and completeness here, Vertiv Group Corp. assumes no responsibility, and disclaims all liability, for damages resulting from use of this information or for any errors or omissions.

