



Configurable Output Distribution

120V / 208V / 240V 60Hz

**User Manual
English**

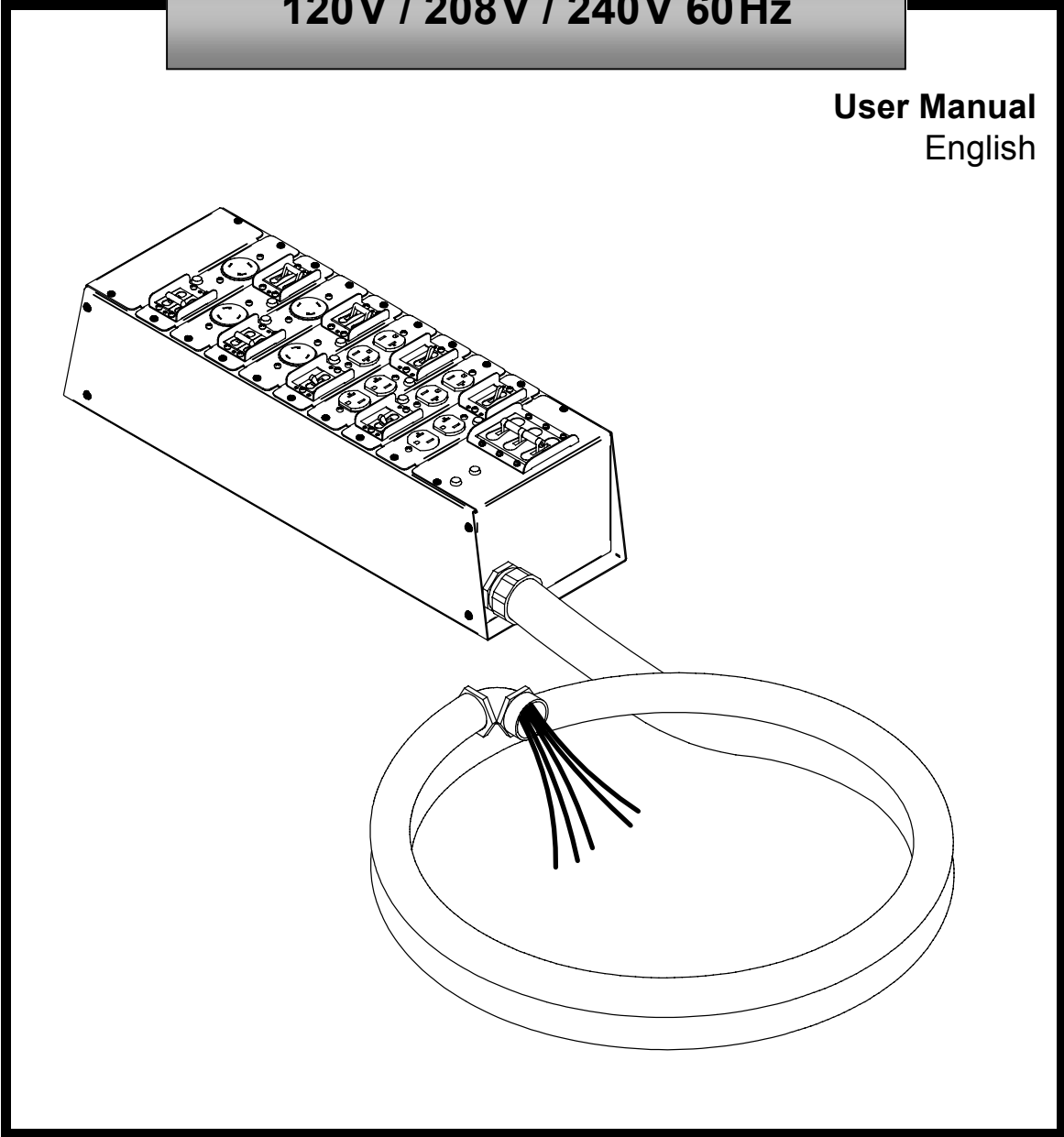


TABLE OF CONTENTS

IMPORTANT SAFETY INSTRUCTIONS	1
GLOSSARY OF SYMBOLS	2
GENERAL DESCRIPTION	3
SYSTEM DESCRIPTION	3
Features	3
Standard Components	3
Options	3
MAJOR COMPONENTS	4
SELECTABLE OUTPUT DISTRIBUTION	4
15 Amp Options	4
20 Amp Options	4
30 Amp Options	4
Other Options	4
CABLE INSTALLATION	5
WIRING PREPARATION	5
POWER CABLE INSTALLATION	5
HARDWIRE OPTION	7
WALL-MOUNT DIAGRAM	8
DIAGRAM FOR ATTACHING UNIT TO WALL	8

IMPORTANT SAFETY INSTRUCTIONS

SAVE THESE INSTRUCTIONS

This manual contains important instructions that should be closely followed during installation and maintenance of this Configurable Output Distribution option.

This product is designed for commercial / industrial use only. This product is not intended for use with life support and other designated "critical" devices. Maximum load must not exceed that shown on the UPS. See LIMITED WARRANTY.

WARNING: Lethal voltages may be present within this unit even when it is apparently not operating. Observe all cautions and warnings in this manual. Failure to do so may result in serious injury or death. Never work alone.

The Nfinity Output Distribution unit is designed for use on properly grounded (earthed) 120/208/240 VAC 60Hz supply, for installation by qualified personnel. This UPS equipment is intended to be installed by a qualified/certified electrician who must review and approve customer supplied wiring, circuit breakers, intended loads and verify correct input, output and earth connections to ensure compliance with technical standards and national and local electrical codes. Installation instructions and warning notices are located in the Installation section of this manual.

CAUTION: To reduce the risks of fire connect only to a circuit provided with maximum branch circuit overcurrent protection of 100A or 65A according to model in accordance with applicable national and local electrical codes.

Operate the UPS equipment in an indoor environment only in an ambient temperature range of 32°F to 104°F (0°C to 40°C). Install it in a clean environment, free from conductive contaminants, moisture, flammable liquids, gases or corrosive substances.

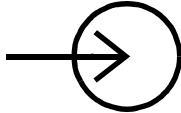
GLOSSARY OF SYMBOLS



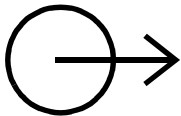
Risk of electrical shock



Indicates Caution followed by important instructions



AC input



AC output



Requests the user to consult the manual



Equipment grounding conductor



On



Off

GENERAL DESCRIPTION

Congratulations on your purchase of Liebert's Nfinity™ Configurable Output Distribution. As with every Liebert product, we stand behind our quality. If you have any questions concerning this configurable distribution option, please feel free to contact your local sales representative or call the appropriate Technical Support number listed on the back of this manual.

To ensure proper installation and operation of this unit, please read this manual thoroughly.

While installation must be completed by a qualified / certified electrician, general operation may be performed without special training.

SYSTEM DESCRIPTION

The Liebert Nfinity™ Configurable Output Distribution option is intended for use with the Nfinity™ UPS. Typical applications include supporting workstations, servers, network, telecom or other sensitive electronic equipment.

The Nfinity™ Configurable Output Distribution option was designed to provide maximum flexibility to business critical equipment.

Various output receptacle options are available from 15A to 30A. Hardwire options are also available with or without a branch rated circuit breaker.

Features

- Supports up to 18 kVA loads
- Compact design
- Highly configurable
- Multiple power path indicators
- Wall- or floor-mountable

Standard Components

- Provisions for hardwire output
- Power-on indicator lamps
- Branch rated circuit breakers

Options

- User selectable output distribution

MAJOR COMPONENTS

The following is a general description of each component and its functions. Please review this section carefully, as it will give you a better understanding as to how the Configurable Output Distribution option operates.

SELECTABLE OUTPUT DISTRIBUTION

Several receptacle and hardwire options are available as user selectable output distribution. These are factory configured when ordered and also allow for field upgrades. Common receptacle and hardwire options include:

15 Amp Options

5-15R2
L5-15R2
6-15R2-208
6-15R2-240
L6-15R2-208
L6-15R2-240
15A,120V,1 Pole Breaker w/ 1/2" & 3/4" knockouts
15A,208V,2 Pole Breaker w/ 1/2" & 3/4" knockouts
15A,240V,2 Pole Breaker w/ 1/2" & 3/4" knockouts

20 Amp Options

5-20R2
L5-20R
L6-20R-208
L6-20R-240
L14-20R-240
20A,120V,1 Pole Breaker w/ 1/2" & 3/4" knockouts
20A, 208V,2 Pole Breaker w/ 1/2" & 3/4" knockouts
20A, 240V,2 Pole Breaker w/ 1/2" & 3/4" knockouts

30 Amp Options

L5-30R
L6-30R-208
L6-30R-240
L14-30R-240
30A,120V,1 Pole Breaker w/ 1/2" & 3/4" knockouts
30A,208V,2 Pole Breaker w/ 1/2" & 3/4" knockouts
30A,240V,2 Pole Breaker w/ 1/2" & 3/4" knockouts

Other Options

Single Position Blanking Plate
Hardwire Option

CABLE INSTALLATION

WIRING PREPARATION

WARNING: Please read this section thoroughly before attempting to install wiring to this unit.

Be sure that the unit is not connected to any AC mains power source or UPS before installing any wiring to this unit. This should be installed by a qualified / certified electrician.

POWER CABLE INSTALLATION

Refer to the charts below when selecting cables.

Power Cable and Protection Ratings		
Part Number	PDX2...	PDX1...
Max Input Current	65 A	100 A
Input Protection	65 A	100 A
Max Output Current	65 A	100 A
Input/Output Terminal Details	Max: 2/0 (35 mm ²)	
	Min: 8 AWG (8mm ²)	Min: 6 AWG (13mm ²)

Table 1: Connecting Configurable Output Distribution Option to Nfinity UPS as shown in Figure 1 below

Configurable Output Distribution Wires	Nfinity UPS
1	TB3 - 1
2	TB3 - 2
3	TB3 - 3
4	TB3 - 4
GND	TB3 - 5

Figure 1 Connecting Configurable Output Distribution Option to Nfinity

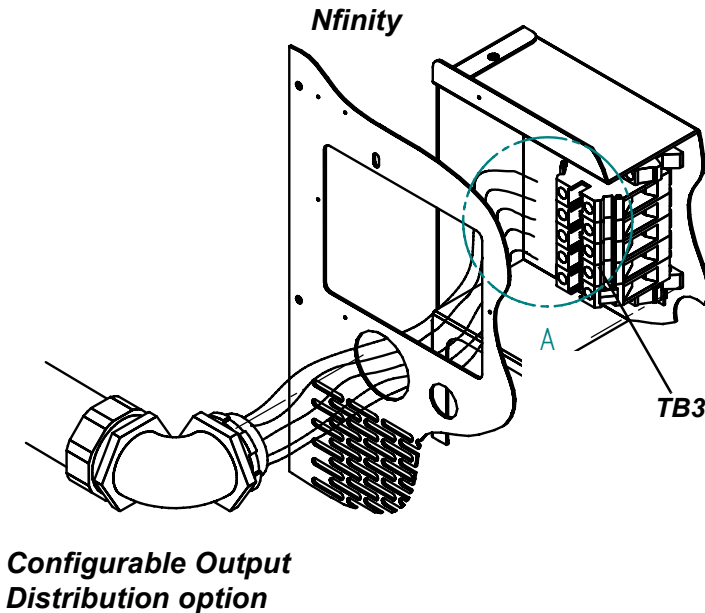


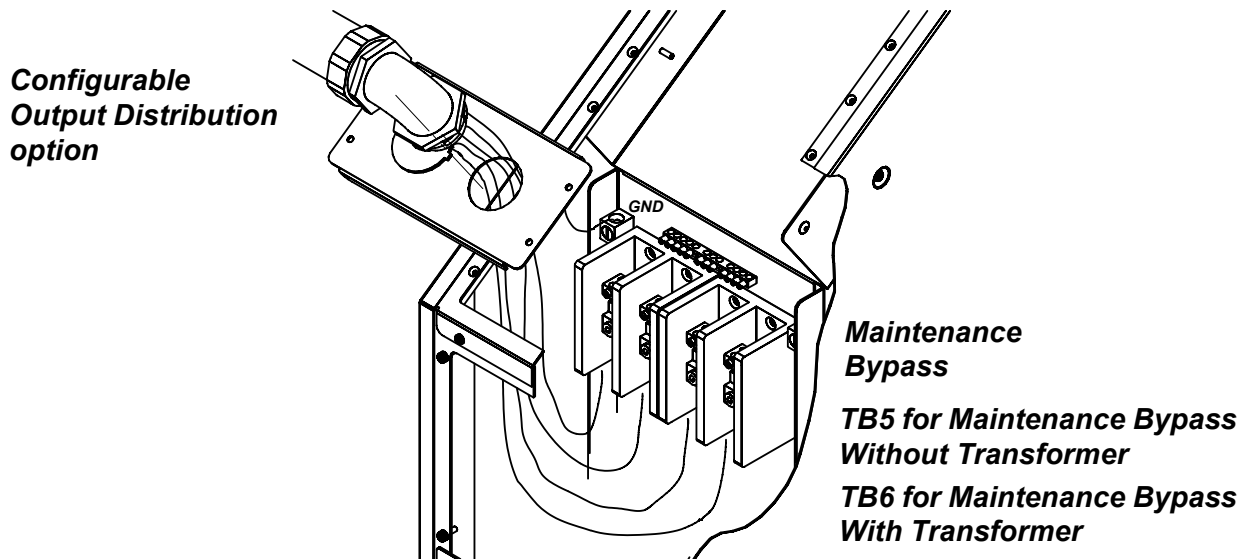
Table 2: Connecting Configurable Output Distribution to Maintenance Bypass With Transformer

Configurable Output Distribution Wires	Maintenance Bypass With Transformer
1	TB6 - 1
2	TB6 - 2
3	TB6 - 3
4	TB6 - 4
GND	GND

Table 3: Connecting Configurable Output Distribution to Maintenance Bypass Without Transformer

Configurable Output Distribution Wires	Maintenance Bypass Without Transformer
1	TB5 - 1
2	TB5 - 2
3	TB5 - 3
4	TB5 - 4
GND	GND

Figure 2 Connecting Configurable Output Distribution to Maintenance Bypass



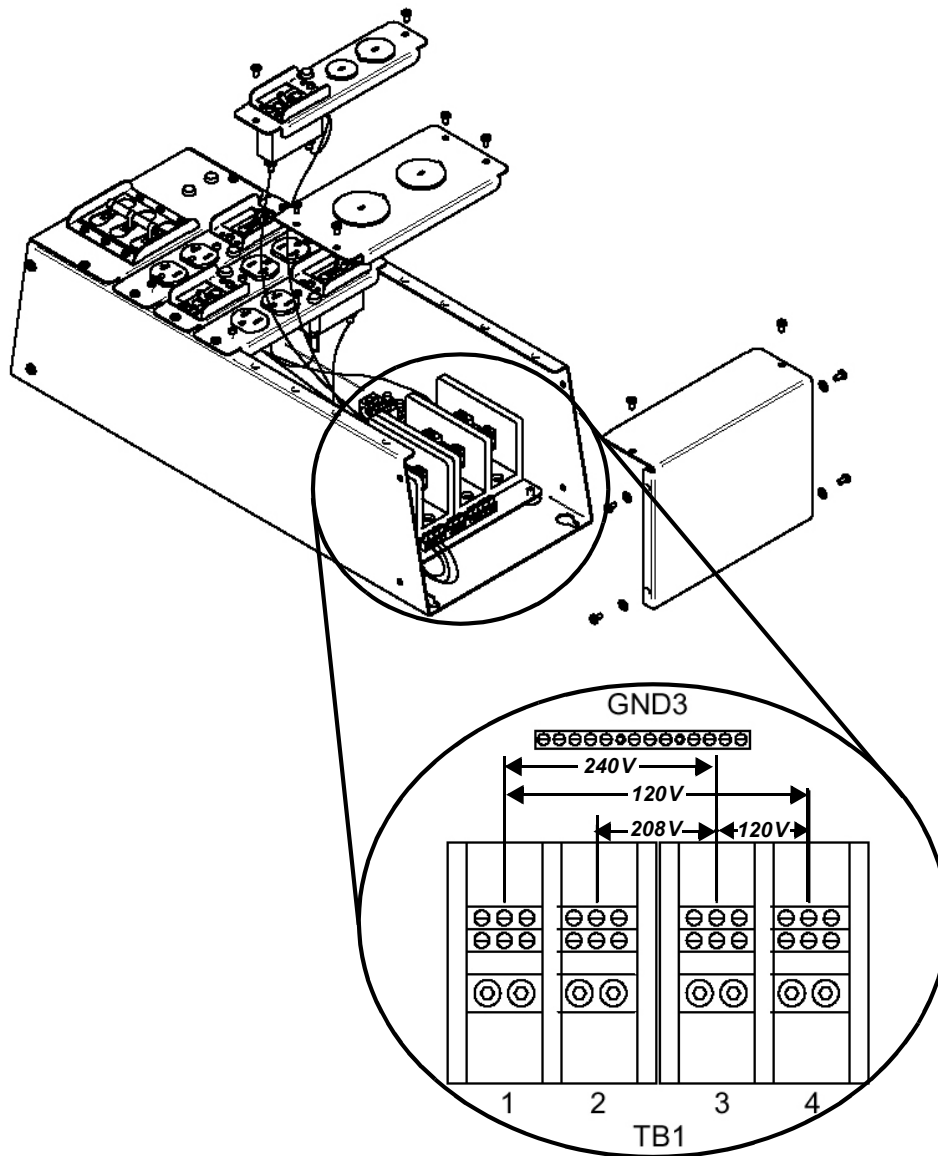
HARDWIRE OPTION

This product is intended to be installed by a qualified electrician only.

1. COMPLETELY REMOVE ALL POWER FROM THE FRAME. If Configurable Output Distribution is connected to the UPS, disconnect all battery modules or external battery supply.
2. Remove the end cover plate to access the terminal block.
3. Without disconnecting from the terminal block, unscrew and pull out the hardwire plate(s).
4. Route all wires from the hardwire plate(s) to the terminal block.
5. Connect the GROUND wire to the grounding bar strip (GND3).
6. Connect the remaining wires in accordance with the wiring diagram (located inside the end cover plate).
7. Replace the receptacle plates and the end cover plate, using caution not to damage the wires.

NOTE: When wiring 120 V loads, LINE must be alternated between TB-1-1 and TB1-3 to balance the 120 V load. Connect all neutral wires to TB1-4

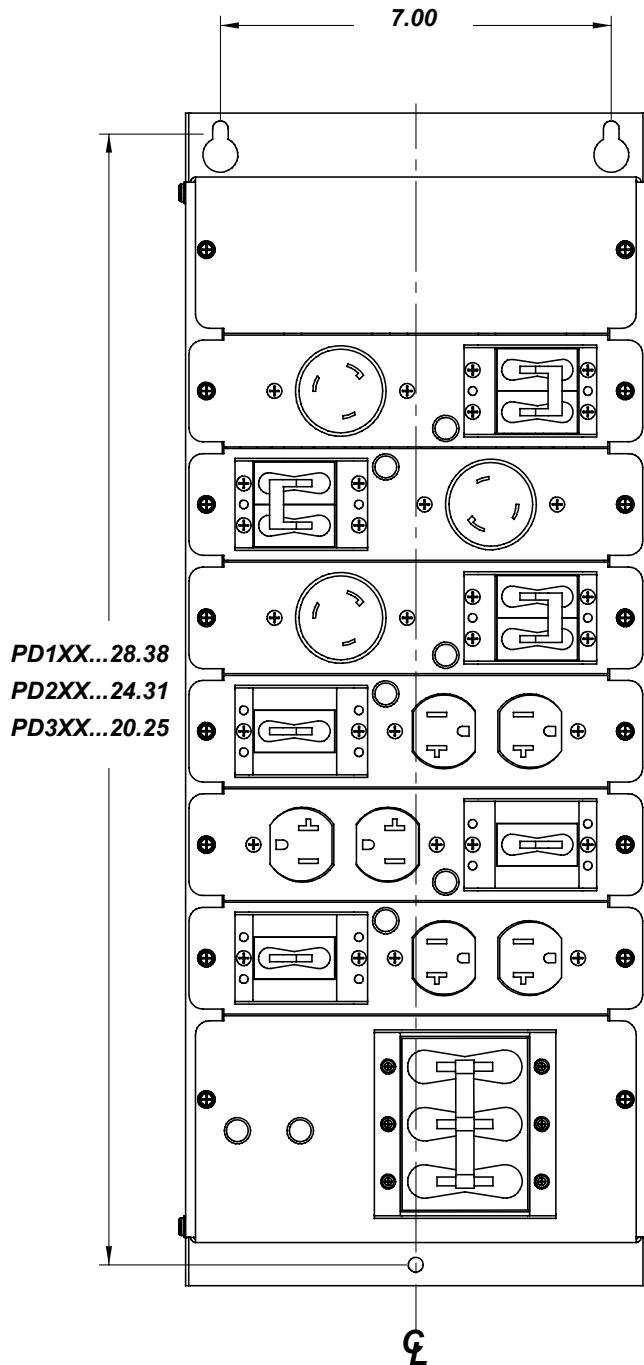
Figure 3 Accessing terminal block



WALL-MOUNT DIAGRAM

DIAGRAM FOR ATTACHING UNIT TO WALL

Use the following diagram, which shows the location and measurements of factory-cut mounting slots, when preparing to attach the Configurable Output Distribution to a wall. Liebert recommends using 1/4-20 mounting screws.





Configurable Output Distribution

120V / 208V / 240V 60Hz

Technical Support

U.S.A. Technical Support	1-800-LIEBERT
Worldwide FAX Tech Support	+614-841-5471
Worldwide Support	+614-841-6755
U.K.	+44 1628 403 200
France	+33 1 4 360 26 19
Germany	+49 21669649340
Italy	+39 2 98250 1
Netherlands	+31 475 504050
E-mail	upstech@liebert.com
Web site	http://www.liebert.com

The Company Behind the Products

With over a million installations around the globe, Liebert is the world leader in computer protection systems. Since its founding in 1965, Liebert has developed a complete range of support and protection systems for sensitive electronics:

- Environmental systems—close-control air conditioning from 1 to 60 tons.
- Power conditioning and UPS with power ranges from 300 VA to more than 1000 kVA
- Integrated systems that provide both environmental and power protection in a single, flexible package.
- Monitoring and control—from systems of any size or location, on-site or remote.
- Service and support through more than 100 service centers around the world, and a 24/7 Customer Response Center.

While every precaution has been taken to ensure the accuracy and completeness of this literature, Liebert Corporation assumes no responsibility and disclaims all liability for damages resulting from use of this information or for any errors or omissions.

© 2001 Liebert Corporation.

All rights reserved throughout the world. Specifications subject to change without notice.

® Liebert and the Liebert logo are registered trademarks of Liebert Corporation. All names referred to are trademarks or registered trademarks of their respective owners.