



VERTIV™

Liebert®

GXT3™-J

800VA - 3kVA
(100VAC Input and Output)

Reliable On-Line UPS
Protection In A Compact Package

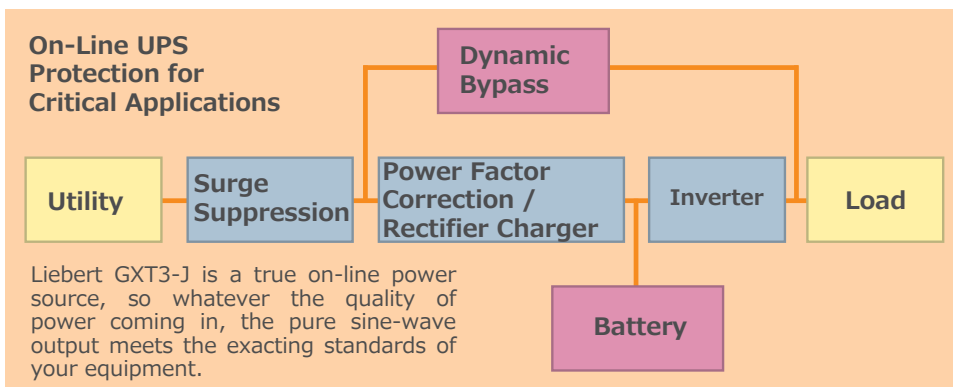


Liebert GXT3-J is a true on-line UPS that delivers continuous, high-quality AC power to connected equipment with no interruption when transferring to battery. It protects equipment from virtually all power disturbances caused by blackouts, brownouts, sags, surges or noise interference.

The Liebert GXT3-J is built based on the Liebert GXT3* UPS designed for the overseas markets, and re-engineered to fit the power environment in Japan with additional features. The Liebert GXT3-J is equipped with multiple new features with new user-friendly interface for better control.

Features and Benefits

- True On-Line UPS designed to resolve all power problems
- Tower/Rack (2U) Convertible for flexibility in a compact design (Optional rack-mounting kit RMKIT18-32 required for rack installation)
- Multi-color LCD display that supports Japanese, the first in the world, displays UPS configuration, status, alarms, and events for easy viewing
- Programmable outlets for flexible outlet controls in case of power outage
- Green Mode for high efficiency (97%)
- Bundled with Liebert MultiLink™ software for automatic shutdown
- User-configurable battery self test
- Intelligent fan control to reduce power consumption and noises
- Multiple communications available: RS-232, USB, and dry contact terminals (Dual PCs or Servers can be connected to single UPS via RS232 and USB)
- Hot swappable batteries
- IS-UNITY-SNMP (optional) for easy WEB/SNMP remote management
- Liebert RDU (optional) for detailed management of UPS and environmental monitoring



*: In overseas, Liebert GXT4 is available now as replacement of Liebert GXT3. Liebert GXT4 has same user interface as Liebert GXT3-J. (Liebert GXT3-J localized for Japan market is totally same functionality as Liebert GXT4 overseas model.)

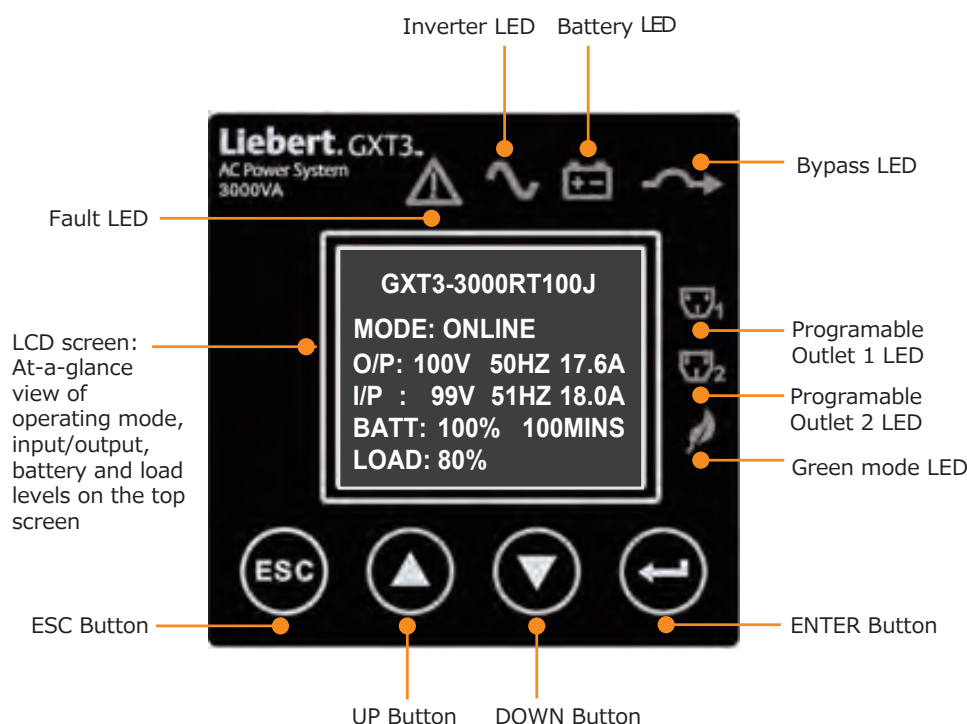
Key Features

Operation Panel with LCD Display

The operation panel with LCD display allows you to view full information on UPS status and change settings easily.

- Monitor data including input/output, battery and load levels
- Set operating mode (On-line/Green/Bypass)
- Set programmable outlet ON/OFF control
- Initiate a battery test
- Display log data
- Set the language (Japanese or English)
- Display product information (p/n and serial number)

The display panel rotates 90° for easy readout in rack or tower position.



The Protection You Need from Damaging Power Problems



Sags

Surges

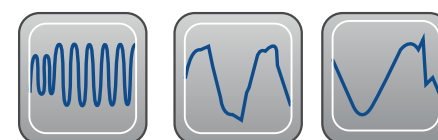
Spikes



Transient

Frequency Deviation

Under-Voltage



Over-Voltage

Harmonics

Noise



Outages



Always Protected!

With Pure Sine Wave

Green Mode

- **On-line Mode (default):** Power provided by the AC utility source is continuously supplied as clean and stable via the inverter while the batteries are being fully charged.
- **Green Mode:** Operating in the standby topology with the input power source being continuously monitored can reduce power consumption in the internal circuit and improve UPS efficiency (97%). Green Mode automatically switches to On-line Mode if the input power exceeds the acceptable range
- **Green Mode Auto:** Green Mode Auto monitors the input power for 12 hours and switches from On-line Mode to Green Mode automatically if input power condition is good (+/-5V, +/-1Hz); switches automatically to On-line Mode if the input power exceeds the acceptable range.



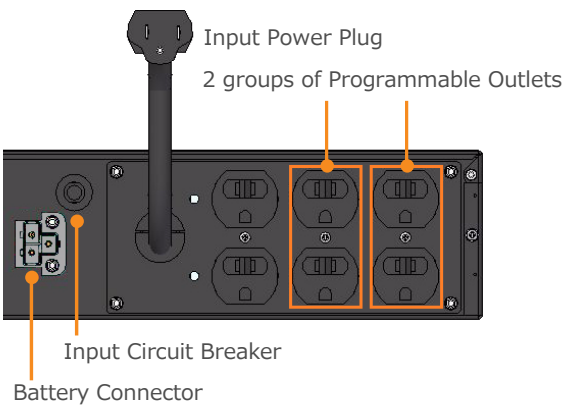
KeyFeatures

Programmable Outlets

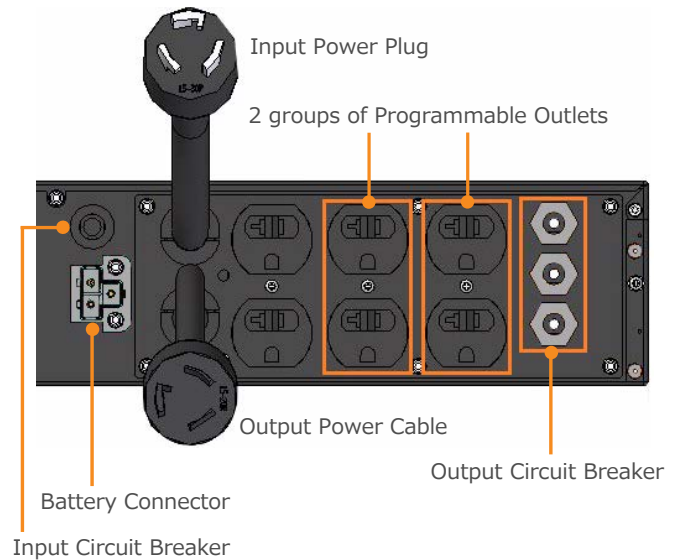
Programmable outlets allow you to set the power ON/OFF control of the outlets.

- Set to turn OFF automatically when overload and on battery
- Set to turn OFF after pre-configured delay during power blackouts and on battery to save battery/extend runtime
- Set to turn OFF automatically if battery runtime capacity is low
- Set the delay time before turn ON after power resumes

GXT3-J 800VA, 1100VA, 1500VA

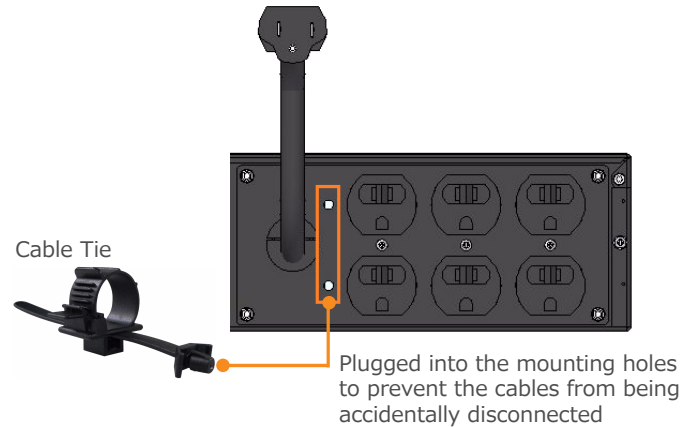


GXT3-J 2200VA, 3000VA



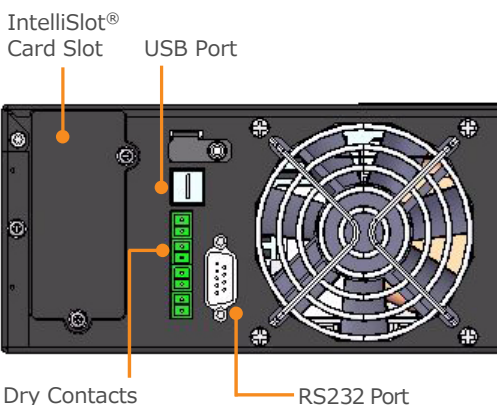
Cable Tie

- 2 Cable Ties bundled with UPS to prevent accidental disconnection of power cords



UPS Communications

- USB/RS232 Port (Standard)
- Dry Contacts (Standard)
 - Any mode Shutdown: Emergency Power Off (EPO)
 - Battery mode Shutdown: Delayed shutdown in battery mode
 - Battery mode: Operating on battery
 - Low battery: Battery runtime warning while operating on battery
- IntelliSlot® Communication Cards (Option)
 - IS-WEBCARD : WEB/SNMP マネージメント・カード
 - IS-UNITY-SNMP: WEB/SNMP Management Card V3
 - IS-UNITY-DP: WEB/SNMP Management Card with RS485 and Sensor Port



External Battery Cabinet (Option)

- Up to 4 external battery cabinets (2U size) can be added for extended runtime requirements



Key Features

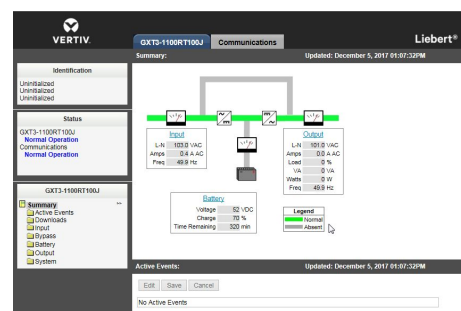
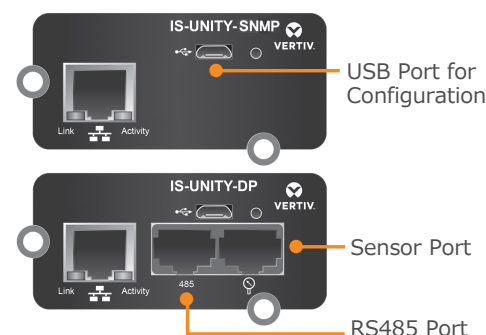
Liebert® MultiLink™

- Installed on a server to be protected, Liebert® MultiLink™ software provides automated, orderly shutdown servers by communicating directly with UPS systems.
- Liebert® MultiLink™ comes bundled with Liebert GXT3-J, free of charge.
- Automatic shutdown via network is available by using optional IS-WEBCARD/IS-UNITY-SNMP/DP.
- Supported OS
 - Microsoft Windows
 - Linux

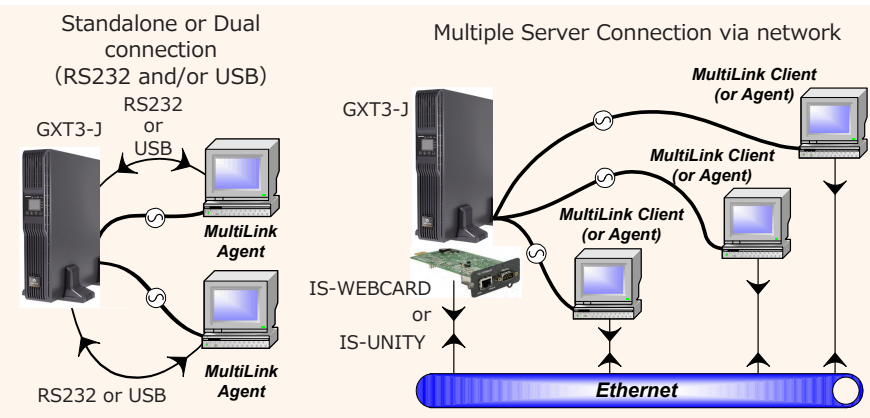


IS-UNITY-SNMP (Option) IS-UNITY-DP (Option)

- WEB/SNMP Remote Management
 - UPS monitoring, configuration, log management and alert notification via a Web browser
 - UPS configuration/monitoring via SNMP manager
 - Liebert MultiLink™ support
- Temperature and Humidity Sensor, RS485 (IS-UNITY-DP)



Real-time status display of input/output and batteries

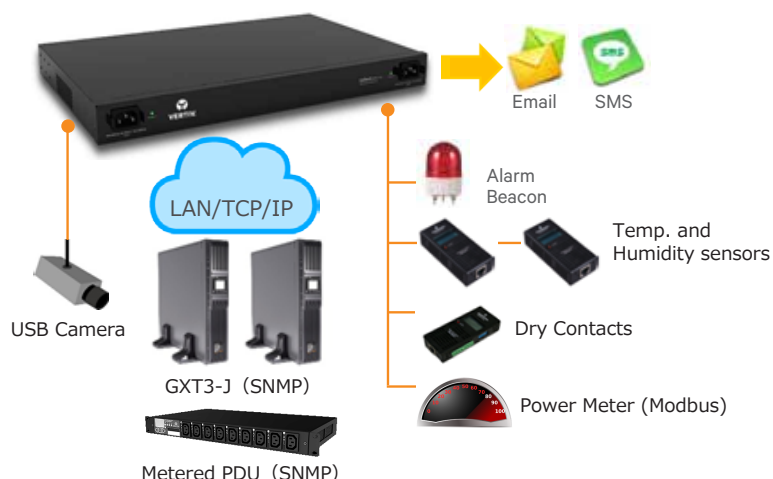


Liebert® RDU Unified Remote Monitoring (Option)

Unified Monitoring of total UPS and environment in remote server rooms

- 3D monitoring top view via Web browser
- Alarm notification to system manager or operators via email, SMS and alarm beacon
- Integrate and monitor environment sensors and dry contacts of facility equipment
 - Temperature and Humidity sensors
 - Dry Contacts (Water leak, Doors, Smokes, Status of Cooling systems)
 - USB Camera
- Monitoring multi-vendor measurement devices via SNMP/Modbus
 - UPS status (SNMP)
 - Intelligent rack PDU (SNMP)
 - Power meters (Modbus)

Liebert RDU Unified Monitoring Appliance



Technical Specifications

Part Number	GXT3-800RT100J	GXT3-1100RT100J	GXT3-1500RT100J	GXT3-2200RT100J	GXT3-3000RT100J
Rating	800VA/600W	1100VA/825W	1500VA/1080W	2200VA/1650W	3000VA/2150W
Type	On-Line Type				
Warranty	2 years (including battery)				
Dimensions: D x W x H (mm)					
Unit (rack-mount)	497 × 430 × 85				602 × 430 × 85
Packing box	617 × 570 × 262				717 × 570 × 262
Weight (kg)					
Unit	18.5		23.0	25.0	34.0
With packing box	22.5		27.0	29.0	38.0
Input AC					
Voltage	AC100V Single phase, 2 Wire + Ground				
Voltage range (Load %)	50~120 ± 3 VAC 72~120 VAC (90%) 65~120 VAC (70%) 50~120 VAC (30%)			50~120 ± 3VAC 80~120 VAC (90%) 70~120 VAC (70%) 50~120 VAC (30%)	
Frequency	50Hz / 60Hz Auto sensing				
Input power code	2.4m, NEMA 5-15 Plug			2.4m, NEMA L5-30 Plug	
Output AC					
Output receptacles	NEMA 5-15R × 6 (4 Programmable)			NEMA 5-15/20R × 6 (4 Programmable)	
Output cable	-			NEMA L5-20R × 1	NEMA L5-30R × 1
Voltage	100VAC (±3%)				
Waveform	Sine wave				
On-line mode Overload capacity (Switch to Bypass from Inverter)	125% for 60 sec. 150% for 50 sec. 200% for 2 sec. 200% < for 250 ms			125% for 15 sec. 150% for 10 sec. 200% for 2 sec. 200% < for 250 ms	
Battery					
Type	Valve-regulated, non-spillable, lead acid; 5 years expected lifetime**				
QTY x V x Ah	4 × 12V × 5Ah		4 × 12V × 9Ah		6 × 12V × 9Ah
Recharge time	3 hours to 90% after full discharge with 100% load till UPS auto-shutdown (Internal battery only)				
Replacement battery	GXT3-5A48BATKITJ		GXT3-7A48BATKIT1J	GXT3-7A48BATKIT2J	GXT3-7A72BATKITJ
Environment parameters					
Operating temperature	0 to 40°C				
Storage temperature	-15 to 50°C				
Relative humidity	0% ~ 95% without condensing				
Operating elevation	Up to 3,000m at 40°C without derating				
Storage elevation	Up to 15,000m				
Audible noise	< 40dBA (at 1m from the front or sides) < 43dBA (at 1m from the rear)		< 44dBA (at 1m from the front or sides) < 45dBA (at 1m from the rear)		
Agency					
Safety	UL 1778, FCC Part15 Class A, VCCI ClassA				
PSE	Out of subject				
RoHS	Compliant (except for battery)				
Surge immunity	IEC 62040-2 2nd E d				
Transportation	ISTA Procedure 1A				

External battery cabinet	GXT3-48VBATTJ	GXT3-72VBATTJ
Supported UPS unit	GXT3-800RT100J, GXT3-1100RT100J, GXT3-1500RT100J, GXT3-2200RT100J	GXT3-3000RT100J
Dimensions: D x W x H (mm)		
Unit (rack-mount)	497 × 430 × 85	602 × 430 × 85
Packing box	617 × 570 × 262	717 × 570 × 262
Weight (kg)		
Unit	30.5	43.0
With packing box	34.0	47.5
Battery		
Type	Valve-regulated, non-spillable, lead acid; 5 years expected lifetime**	
QTY x V x Ah	8 × 12V × 9Ah	12 × 12V × 9Ah

** : The battery lifetime is not guaranteed; it depends on the usage and environment conditions.

Battery Backup Time***

UPS P/N Rating	# of External battery	Load %	10%	20%	30%	40%	50%	60%	70%	80%	90%	100%
GXT3- 800RT100J 800VA 600W		W	60W	120W	180W	240W	300W	360W	420W	480W	540W	600W
	0	Run- time (min.)	>100	56	38	28	21	17	14	11	10	8
	1		>420	271	185	135	108	93	79	68	58	51
	2		>800	521	358	280	228	187	156	129	114	99
	3		>950	837	556	407	338	287	245	215	186	165
	4		>950	900	792	576	465	369	327	290	254	229
GXT3- 1100RT100J 1100VA 825W		W	83W	165W	248W	330W	413W	495W	578W	660W	743W	825W
	0	Run- time (min.)	90	44	26	18	13	10	9	7	6	5
	1		380	205	130	99	80	65	53	46	39	34
	2		700	383	270	205	159	124	105	92	84	75
	3		900	597	388	310	248	207	173	145	122	109
	4		>900	800	561	410	332	280	238	207	180	158
GXT3- 1500RT100J 1500VA 1080W		W	108W	216W	324W	432W	540W	648W	756W	864W	972W	1080W
	0	Run- time (min.)	80	44	31	21	14	12	10	8	6	5
	1		300	157	111	81	60	50	40	34	29	24
	2		570	312	213	149	113	96	83	70	60	51
	3		850	458	318	238	184	145	119	100	90	81
	4		>850	619	409	316	249	207	172	142	119	105
GXT3- 2200RT100J 2200VA 1650W		W	165W	330W	495W	660W	825W	990W	1155W	1320W	1485W	1650W
	0	Run- time (min.)	70	36	23	16	12	9	8	6	5	4
	1		255	126	84	64	48	39	31	27	24	20
	2		450	238	157	108	85	73	60	51	43	39
	3		650	337	232	170	123	100	85	76	67	58
	4		800	466	303	227	176	139	111	95	85	78
GXT3- 3000RT100J 3000VA 2150W		W	215W	430W	645W	860W	1075W	1290W	1505W	1720W	1935W	2150W
	0	Run- time (min.)	75	40	25	18	13	10	9	7	6	5
	1		280	145	89	70	54	43	35	29	26	23
	2		490	265	172	117	91	79	67	57	49	43
	3		750	360	252	186	143	111	90	82	74	66
	4		900	515	326	245	196	158	121	106	91	84

*** : The battery backup time is for reference only; it is subject to charging condition, ambient temperature, age of service, etc.



VertivCo.com

© 2016 Vertiv Co. All rights reserved. Vertiv, the Vertiv logo and Liebert®GXT4™ are trademarks or registered trademarks of Vertiv Co. All other names and logos referred to are trade names, trademarks or registered trademarks of their respective owners. While every precaution has been taken to ensure accuracy and completeness herein, Vertiv Co. assumes no responsibility, and disclaims all liability, for damages resulting from use of this information or for any errors or omissions. Specifications are subject to change without notice.

Liebert-GXT3J-800VA-3kVA-BR-EN-Jan2018