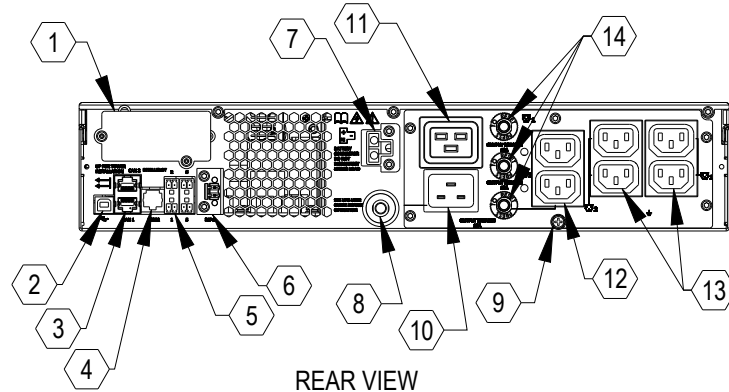
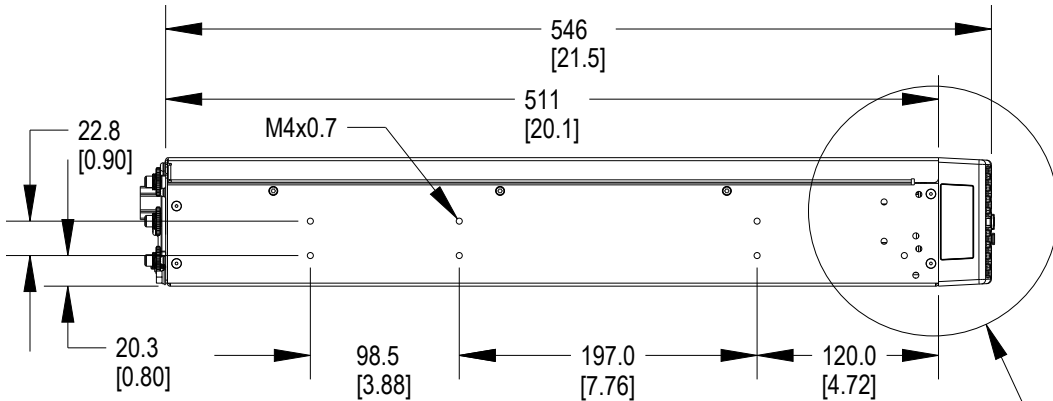


FRONT VIEW

FOR DETAIL
SEE DRAWING GXT5-DISPLAY

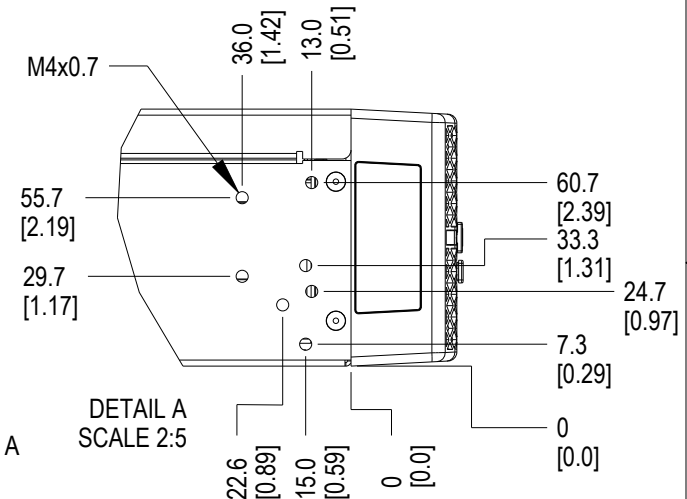


REAR VIEW



SIDE VIEW

SEE DETAIL A



DETAIL A
SCALE 2:5

- 1 INTELLISLOT PORT
- 2 USB PORT
- 3 EXTERNAL BATTERY CAN PORTS
- 4 RS232 PORT
- 5 TERMINAL BLOCK COMMUNICATION
- 6 REPO
- 7 EXTERNAL BATTERY CONNECTOR
- 8 20A INPUT CIRCUIT BREAKER
- 9 GROUND SCREW
- 10 INPUT POWER PLUG (C20)
- 11 NON PROGRAMMABLE OUTPUT PLUG (C19)
- 12 NON PROGRAMMABLE OUTLETS (C13)
- 13 PROGRAMMABLE OUTLETS (C13)
- 14 OUTPUT CIRCUIT BREAKERS (10A)

NOTES

1. UNIT DIMENSIONS (WxDxH) 430mm x 546mm x 85mm (2U)
(16.9" x 21.5" x 3.3")
2. UNIT WEIGHT 19.5kg (43.0lbs)
3. SHIPPING DIMENSIONS (WxDxH) 542mm x 703mm x 228mm
(21.3" x 27.7" x 9.0")
4. SHIPPING WEIGHT 27.1kg (59.7lbs)
5. MINIMUM AIRFLOW CLEARANCE IS 100mm (4.0")
FRONT AND REAR.

SHEET NO. 1 OF 1	DRAWN BY: P BENNER	TITLE
CO. NO. -	DESIGNED BY: P BENNER	
REF DWG. -	APPROVED BY: N SECORD	

OUTLINE DRAWING
LIEBERT GXT5 LITHIUM-ION 3000VA
200-240VAC RACK/TOWER UPS

DWG. NO. GXT5-LI_3000_230	1050 DEARBORN DR P.O. BOX 29186 COLUMBUS, OH 43229
DATE (LATEST REV.) 5/20/2022	
REVISION 0	

