

Vertiv™ BBE Pro, MI Series

Broadband Edge Enclosures



Key Features

- Metal fiber mounting plate accommodates slack storage on one side and splicing on the other.
- Radius limiting spools improve fiber management and reduce chance of signal loss.
- Accommodates up to 12 feet of 144 loose tube fiber and up to 6 splice trays (12" H x 4.5" W).
- Lift-off dome for 360° access permits complete access to all wirework and equipment.
- Seamless integral flood dome protects wirework from flood submersion; no joint worries.
- Single point self-locking cover provides secure pedestal locking, and eased craft access.
- Short self-supporting split base with or without snap-on mounting stake.
- Meets or exceeds RUS requirements.

The Vertiv™ BBE PRO, MI Series is designed for high speed buried distribution applications at the network edge.

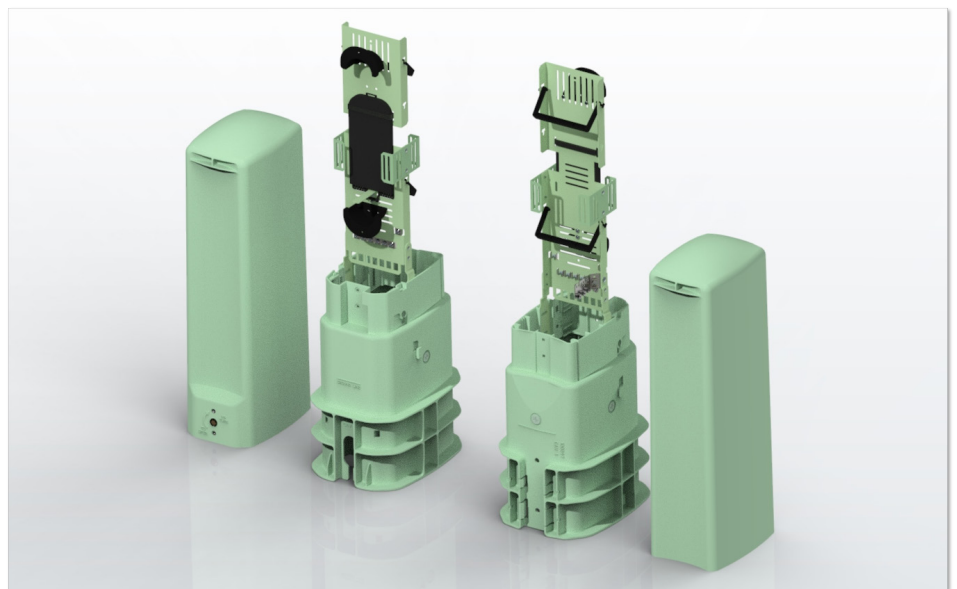
Description

The Vertiv BBE PRO, MI Series of non-metallic pedestals incorporates strength, rigidity and security all in a high performance thermo-plastic material designed to Telcordia GR-13 CORE specifications.

The MI mounting plate provides fiber distribution on a center mounted metal insert. The craft-friendly design of the PRO Series enclosure ensures ample working space for fiber management and conduit placement, and the fiber distribution mounting plate is designed for slack storage, splicing and drops. Installation is simplified through the split/rehab base design and self-latching dome, and to accommodate varying soil conditions, supplemental mounting stakes are available if additional stability is required.

Application

The Vertiv BBE PRO, MI Series enclosure is ideal for applications where non-metallic construction, flood protection, or 360° access is desired. These pedestals are designed for slack storage, fiber splicing and drops in buried distribution FTTH applications.



Vertiv BBE PRO, MI Series Pedestal

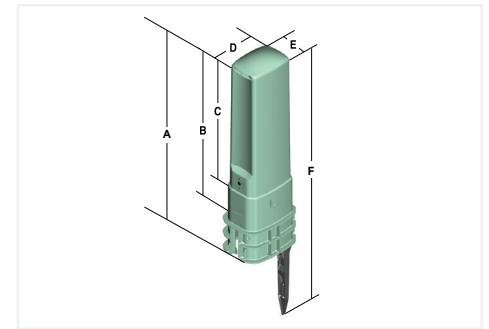
*Front & Back Views with Self-Supporting Base and Metal Insert
(fiber cable & splice trays not included)*

Dimensions

Pedestal	A	B*	C	D	E	F
	Short Self-Supporting Base					Snap on Stake or Integral Spade
Pro8	45-in.	35-in.	30-in.	10.5-in.	8-in.	65-in.
Pro10	45-in.	35-in.	30-in.	12-in.	10.8-in.	65-in.

* Height of enclosure above ground.

Diagrams



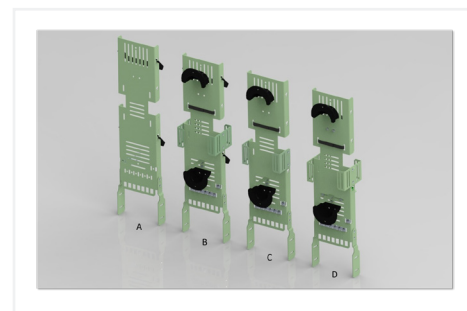
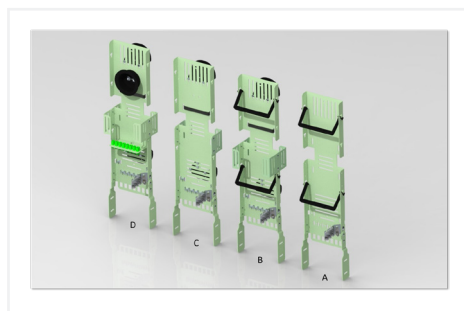
Short Self-Supporting Base Shown with Snap-On Stake

Ordering Information

Catalog Number	Part Number	Description	Figure	Fiber Terminal Block	Fiber Splice and Slack	Copper Splice	SC/APC Fiber Drop
Complete Pedestal Assembly *			Mounting Plate Insert Configuration				
PRO8FSNG	F1007238	PRO8 split-base pedestal with fiber splice / slack mounting insert			X		
PRO8FSOPCCP	F1011132	PRO8 split-base pedestal with optical block / CCP mounting insert	A	X		X	
PRO8FSSPCCP	F1011134	PRO8 split-base pedestal with fiber splice / CCP mounting insert	B		X	X	
PRO8FSSPOP	F1011136	PRO8 split-base pedestal with fiber splice / optical block mounting insert	C	X	X		
PRO8FSFDP	F1011138	PRO8 split-base pedestal with fiber splice and SC / APC (8) drop mounting insert	D		X		8
PRO10FSNG	F1007240	PRO10 split-base pedestal with fiber splice / slack mounting insert			X		
PRO10FSOPCCP	F1011140	PRO10 split-base pedestal with optical block / CCP mounting insert	A	X		X	
PRO10FVOPCCP	F1011142	PRO10 vault-mount pedestal with OP / CCP mounting insert	A	X		X	
PRO10FSSPCCP	F1011143	PRO10 split-base pedestal with fiber splice / CCP mounting insert	B		X	X	
PRO10FVSPCCP	F1011145	PRO10 vault-mount pedestal with fiber splice / CCP mounting insert	B		X	X	
PRO10FSSPOP	F1011146	PRO10 split-base pedestal with fiber splice / optical block mounting insert	C	X	X		
PRO10FVSPOP	F1011148	PRO10 vault-mount pedestal with fiber splice / optical block mounting insert	C	X	X		
PRO10FFSFDP	F1011149	PRO10 split-base pedestal with fiber splice and SC / APC (12) drop mounting insert	D		X		12
PRO10FVFDP	F1011151	PRO10 vault-mount pedestal with fiber splice and SC / APC (12) drop mounting insert	D		X		12

Ordering Information

Catalog Number	Part Number	Description	Figure	Fiber Terminal Block	Fiber Splice and Slack	Copper Splice	SC/APC Fiber Drop
Stand-Alone "MI Series" Inserts; Pedestals Sold Separately **			Mounting Plate Insert Configuration				
PRO8FMPLT	F1007331	Mounting plate fiber splice / slack insert for PRO8			X		
MPLT8OPCCP	F1011124	Mounting plate optical block / CCP mounting insert for PRO8	A	X		X	
MPLT8SPCCP	F1011125	Mounting plate fiber splice / CCP mounting insert for PRO8	B		X	X	
MPLT8SPOP	F1011126	Mounting plate fiber splice / optical block mounting insert for PRO8	C	X	X		
MPLT8FDP	F1011127	Mounting plate fiber splice and SC / APC (8) drop mounting insert for PRO8	D		X		8
PRO10FMPLT	F1007168	Mounting plate fiber splice / slack insert for PRO10			X		
MPLT10OPCCP	F1011128	Mounting plate optical block / CCP mounting insert for PRO10	A	X		X	
MPLT10SPCCP	F1011129	Mounting plate fiber splice / CCP mounting insert for PRO10	B		X	X	
MPLT10SPOP	F1011130	Mounting plate fiber splice / optical block mounting insert for PRO10	C	X	X		
MPLT10FDP	F1011131	Mounting plate fiber splice and SC / APC (12) drop mounting insert for PRO10	D		X		12



Accessories

Catalog Number	Part Number	Description
Stand-Alone "MI Series" Inserts; Pedestals Sold Separately **		
PRO8HSRNGE	F1006565	8-inch non-metallic split base pedestal, empty
PRO10HSRNGE	F1006528	10-inch non-metallic split base pedestal, empty
NSST2448E	F1010586	Universal splice tray, 24 single fusion or 4 mass fusion (48 fibers for PRO8 or PRO10), 10 each
MS1332	F602132	32-inch mounting stake for pedestal, 10 each
MS1342	F604080	42-inch mounting stake for pedestal, 10 each
PROSPADE	F1008603	Non-metallic snap-on stake (PRO6, PRO8 and PRO10 only), 10 each

* MI Series insert included. Splice trays (NST2448E), optical blocks, fiber and fiber drops sold separately.

** Inserts for use in existing pedestals.