

# Vertiv™ BBE PRO, URB Series

Broadband Edge Enclosures



## Key Features

- Universal Rear-mounting Bracket (URB) accommodates most optical terminal blocks.
- Ample space provided for fiber bend radius.
- "Stake-less" self-supporting base eliminates the need for supplemental mounting stakes.
- Split/Rehab base allows for easier placement over existing cable or pedestal expansion.
- Lift-off dome for 360° access permits complete access to all wirework and equipment.
- Seamless integral flood dome protects wirework from flood submersion; no joint worries.
- Single point self-locking cover provides secure pedestal locking, and eased craft access.
- Short self-supporting split base with or without snap-on mounting stake.

## Description

The Vertiv™ BBE PRO, URB Series of non-metallic pedestals from Vertiv incorporates strength, rigidity and security all in a high performance thermo-plastic material designed to Telcordia GR-13 CORE specifications. A Universal Rear Bracket (URB) is mounted to the back of the pedestal, providing access to fiber drops and allowing for generous fiber bend radii, routing and future application growth.

The craft-friendly design provides optimal working space for optical terminal block attachment and conduit placement. Installation is simplified through the split/rehab base design and self-latching dome. To accommodate varying soil conditions, supplemental mounting stakes are available if additional stability is required.

## Application

Vertiv BBE PRO, URB Series pedestals are ideal for applications where non-metallic construction, flood protection, or 360° access is desired. These pedestals are designed for optical terminal blocks in buried distribution FTTH applications.



*8-in. Fiber Pedestal*

*Shown with Self-Supporting Base  
and Universal Rear Bracket*

*(fiber terminal block not included)*

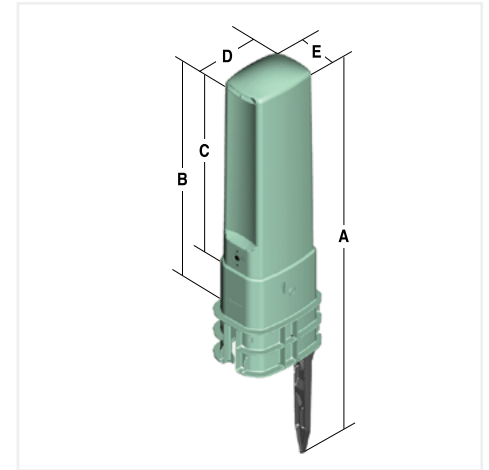
## Dimensions

PED	A	A	B*	C	D	E
	Short Self-Supporting Base	Snap on Stake or Integral Spade				
Pro8	45-in.	65- in.	35- in.	30- in.	10.5- in.	8- in.
Pro10	45-in.	65- in.	35- in.	30- in.	12- in.	10.8- in.

\* Height of enclosure above ground.

## Ordering Information

Vertiv Catalog No.	Vertiv Part No.	Description
PRO8FSNGURB	F1006243	8" split base pedestal with URB
PRO10FSNGURB	F1006244	10" split base pedestal with URB



Short Self-Supporting Base  
Shown with Snap-On Stake

## Accessories

Vertiv Catalog No.	Vertiv Part No.	Description
URBKIT	F1006936	URB upgrade kit for Vertiv BBE PRO Series pedestals
MS1332	F602132	32 -in. mounting stake for pedestal
MS1342	F604080	42-in. mounting stake for pedestal
PROSPADE	F1008603	Non-metallic snap-on stake (PRO6, PRO8 and PRO10 only), 10 each