

OUT OF BAND MANAGEMENT CISCO ISR 2900 REPLACEMENT



Vertiv Avocent® ACS 800 & 8000

OVERVIEW

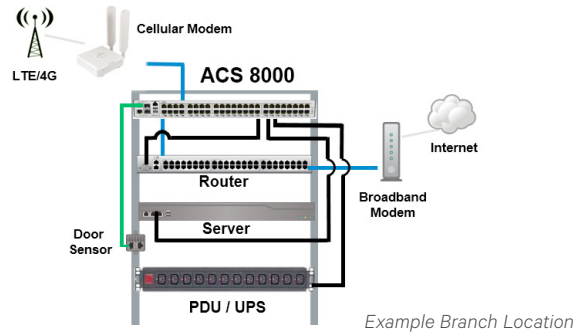
Avocent ACS 800 & 8000 series

Flexible and Scalable, from Edge to Enterprise!

- Seamless Integration with Liebert & 3rd Party UPS & PDUs
- Low-Hassle cabling with software configurable & auto-detect pinouts
- Deploy and secure in an Vertiv SmartCabinet™
- Automatic cellular Network Failover (OOB) with Cradlepoint
- Centralized management via DSView software (optional)



IT administrators have relied on the **Cisco 2900** or other ISR router for many years. However, this solution has reached EOL. The Avocent ACS series of high-density terminal servers from Vertiv can easily be substituted into new or existing data centers as well as being easily deployed at remote/edge locations, supporting port densities from 2 to 48.



	CISCO ISR4321/4331/4351	ACS800 EDGE	ACS8000 ENTERPRISE
Form Factor	1U or 2U	1U or desk/wall mounts	1U
WAN Ports	1-2 GbE/SFP PoE options	2 GbE	2 GbE/SFP Fiber
Protocol Support	RS-232	RS-232, RS-485, RS422	RS-232, RS-485, RS422
USB Ports	1-2	4	8
Console Port Count	4-32 (Module add-ons)	2, 4, or 8	8, 16, 32, or 48
Environmental Sensor Port	Not Available	Yes (Up to 8 sensors)	Yes (Up to 8 sensors)
Digital Inputs / Outputs	Not Available	4 / 2	4 / 0
Built-in Analog Modem	Not Available	Optional	Optional
Cellular Modem Support	Not Available	External Cradlepoint	External Cradlepoint
Serial Pin-out	Proprietary	Auto-Detect, Cisco, Cyclades	Auto-Detect, Cisco, Cyclades

The team at Vertiv can also supply many of your other critical IT infrastructure needs from secure cabinets to power and thermal management. Contact your local Vertiv representative to learn more.

[Click here for: Avocent ACS 8000 Serial Consoles](#)

[Click here for: Avocent ACS 800 Serial Consoles](#)

VertivCo.com | Vertiv Headquarters, 1050 Dearborn Drive, Columbus, OH, 43085, USA

© 2018 Vertiv Co. All rights reserved. Vertiv and the Vertiv logo are trademarks or registered trademarks of Vertiv Co. All other names and logos referred to are trade names, trademarks or registered trademarks of their respective owners. While every precaution has been taken to ensure accuracy and completeness herein, Vertiv Co. assumes no responsibility, and disclaims all liability, for damages resulting from use of this information or for any errors or omissions. Specifications are subject to change without notice.