

Avocent® RM1048P Rack Manager

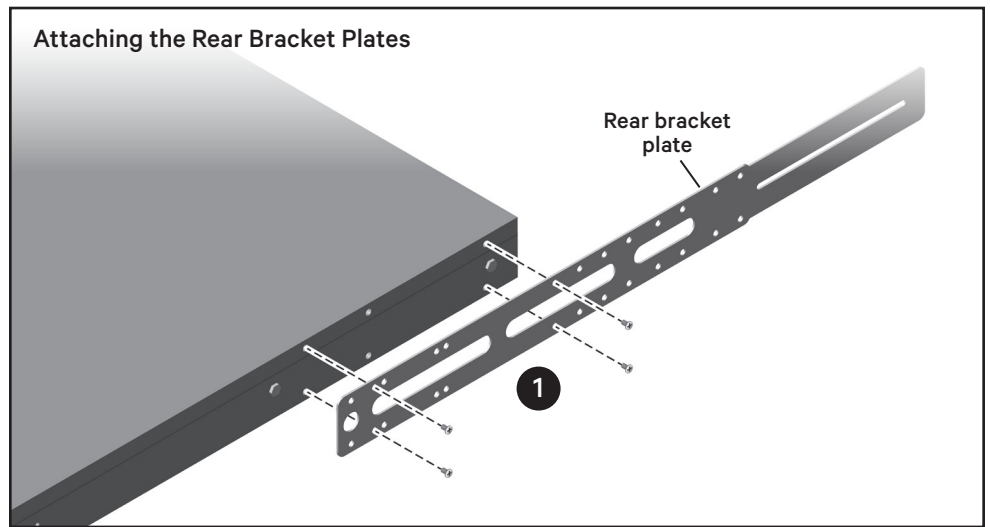


Quick Installation Guide

The following instructions will help you install your rack manager and configure it for remote access.

The rack manager ships with the following default settings:

- DHCP, SSH and HTTPs are enabled.
- The console setup port is enabled.
- The management port is disabled.
- Downstream ports are enabled.
- The default user account is **admin**, with the default password **admin**. The first time you log in, you are prompted to create a new password.

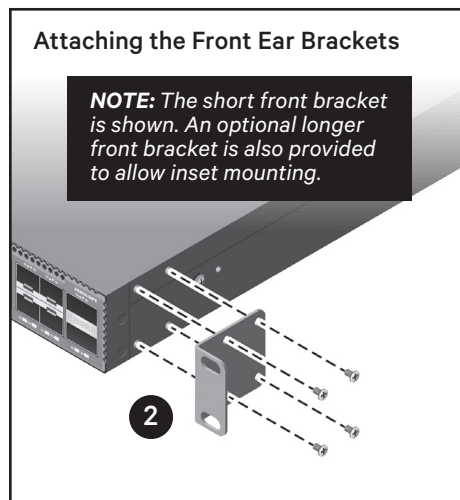


Rack Manager Rack Mounting

1. Attaching the rear bracket plates

NOTE: The rear bracket plate is designed to accommodate a variety of server cabinet depths. Determine the server cabinet depth, then select the appropriate bracket plate attachment hole pattern that, when attached to the appliance, will allow the bracket plate to extend just beyond the rear uprights.

Using at least four of the provided screws, attach a rear bracket plate to one side of the rack manager. Repeat for the opposite side.

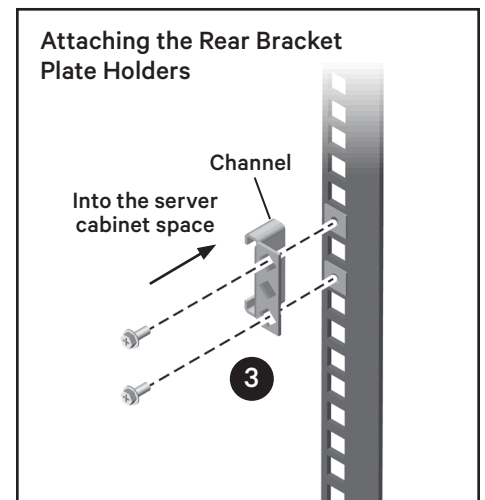


2. Attaching the front ear brackets

Using the provided screws, attach the front ear brackets to the front four holes on each side of the rack manager.

3. Attaching the rear bracket plate holders to the uprights

Using the appropriate hardware, attach the rear bracket plate holders to the rear two server cabinet uprights. Orient the brackets' channels so they protrude into the server cabinet space. Fasten in place with the appropriate hardware. Repeat for the opposite side.

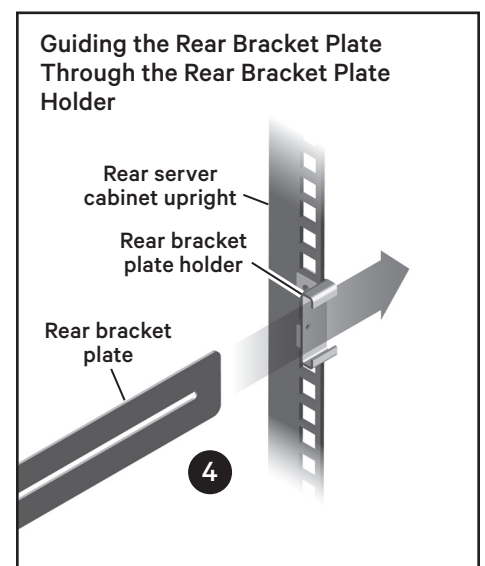


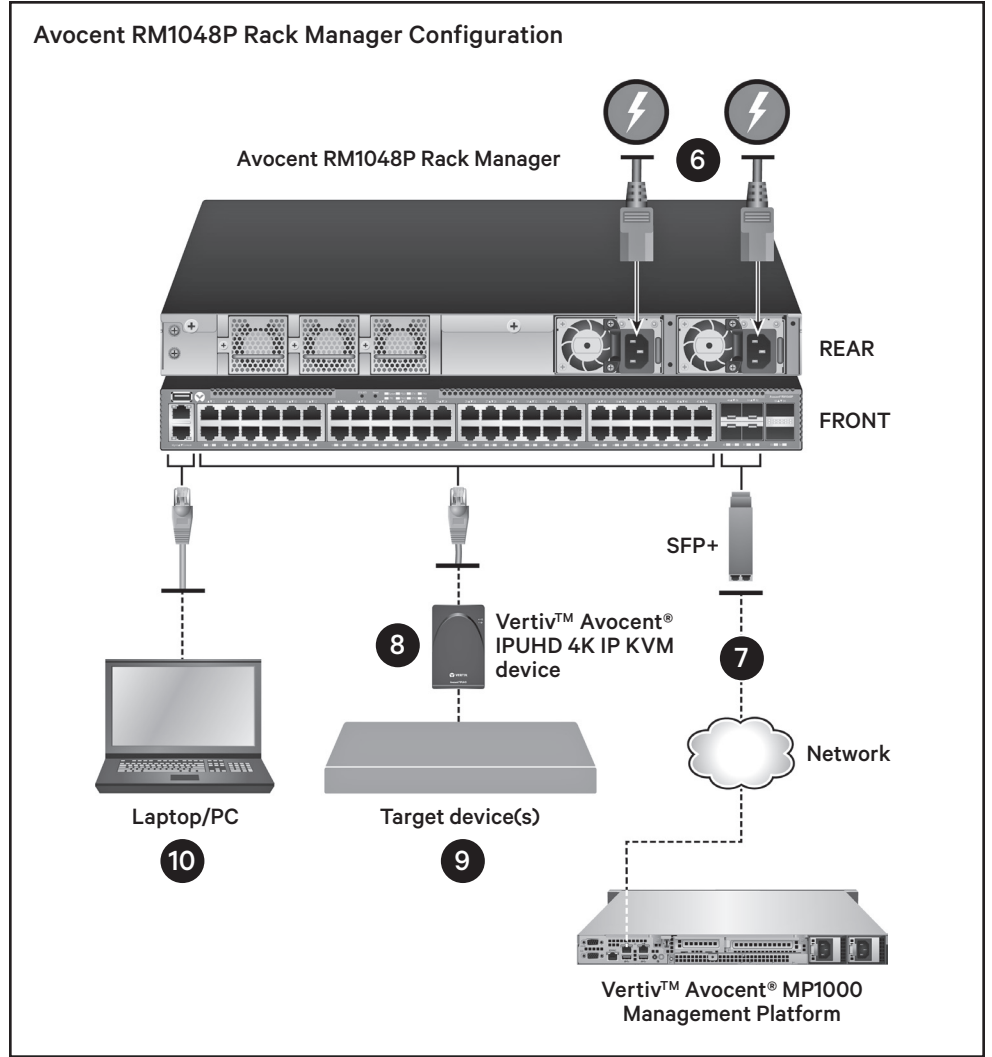
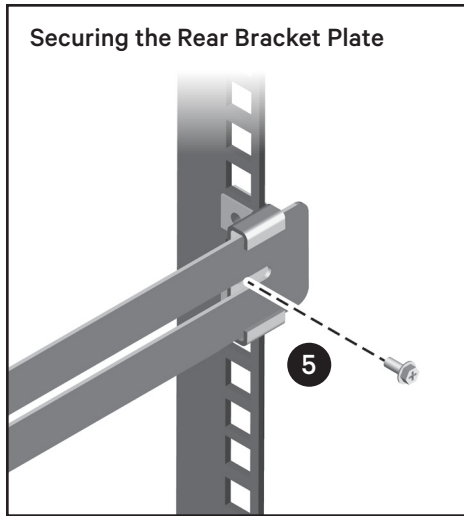
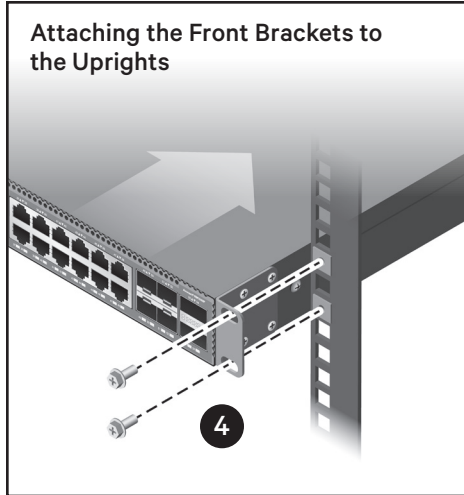
4. Attaching the front brackets to the uprights

Slide the rack manager/bracket assembly into the selected 1U space. Guide the protruding rear bracket plate ends into the channels of the rear bracket plate holders attached to the rear server cabinet uprights. Using the appropriate hardware, attach the front brackets to the front two server cabinet uprights.

5. Securing the rear bracket plate

Insert a supplied screw through the rear slot of each rear bracket plate and into the threaded hole of their respective rear bracket plate holders.





Tighten the screws to firmly secure the rear bracket plate to its rear bracket plate holder.

Rack Manager Connection and Configuration

CAUTION: For a safe and reliable installation, use only the accessories and screws provided with the rack manager. Use of other accessories and screws could result in damage to the unit. Any damages incurred by using unapproved accessories are not covered by the warranty.

6. Connecting power

Connect power cords from a properly grounded electrical outlet or Power Distribution Unit (PDU) to

both Power Supply Unit (PSU) ports on the right rear of the rack manager. Verify power by checking the PSU LEDs. The PSU1/PSU2 LEDs illuminate green in normal operation.

7. Connecting to the network

Install up to four SFP+ transceivers into ports 49-52. These SFP+ transceivers must be 10Gb and connected to your 10Gb network.

NOTE: Two SFP+ 10Gb copper transceivers are included with the rack manager. They must be installed in ports 49 and 50 (the two ports on the left). For more information on configuring ports 49-52, see the Vertiv™ Avocent® RM1048P Rack Manager Installer/ User Guide.

8. Connecting to the Avocent IPUHD 4K IP KVM device

Connect one end of a CAT 5e or CAT 6 cable into PoE ports 1-48 and attach the opposite end to the LAN1 port of an Avocent IPUHD device.

9. Connecting to the target device

NOTE: For connection options between the Avocent IPUHD device and the target device, please see the Quick Installation Guide included with each Avocent IPUHD device.

10. Assigning the IP addresses

Two IP addresses are required for the rack manager. The first is assigned to Vrf_app0 and provides access to the web User Interface (UI). The second is assigned to Vpp0 and allows you to launch KVM sessions.

By default, the IP addresses are obtained via DHCP. You can also configure static IP addresses via the rack manager console port.

To view the DHCP-assigned IP addresses or to configure static IP addresses, perform the following steps:

- a. Make a serial connection to the console port of the rack manager using serial settings of 115200 bps, no parity, 1 stop bit, 8 data bits and no flow control.
- b. In the Command Line Interface (CLI), log in using **admin** as the username and password. You are prompted to change the password.
- c. Enter **1** to select the Show/Configure Network Settings option.
- d. Enter **2** to select the Configure Vrf_app0 option.

NOTE: Upon selection, the DHCP-assigned IP addresses appear. Enter the IP address assigned to Vrf_app0 into a browser to access the web User Interface (UI).

If you cannot log into the UI, the time settings may be incorrect. Please ensure you are on a network with a reachable NTP server. If you are on a network with an unreachable NTP server, update the time settings as follows:

1. From the CLI interface, enter **4** to select the Show/Configure Manager option.
2. Enter **3** to turn NTP off.
3. Select the option to change the date and time and enter the new date and time in UTC time format: YYYY-MM-DDThh:mm (for example, 2024-09-17T16:14:03).

- e. To assign the first static IP address, enter **2** to select the Configure Static Address option, then follow the on-screen prompts to configure the IP, subnet and gateway.

- f. Enter **0** to select the Root Menu option.
- g. To assign the second IP address for launching KVM sessions, enter **1** to select the Show/Configure Network Settings option.
- h. Enter **1** to select the Configure Vpp0 option.
- i. Enter **2** to select the Configure Static Address option, then follow the on-screen prompts to configure the IP, subnet and gateway.
- j. You can now use the configured IP addresses to access the web UI and launch KVM sessions, respectively.

For more information, see the Vertiv™ Avocent® RM1048P Rack Manager Installer/User Guide available on the product page at www.Vertiv.com.



To contact Vertiv Technical Support: visit www.Vertiv.com

© 2024 Vertiv Group Corp. All rights reserved. Vertiv™ and the Vertiv logo are trademarks or registered trademarks of Vertiv Group Corp. All other names and logos referred to are trade names, trademarks or registered trademarks of their respective owners. While every precaution has been taken to ensure accuracy and completeness here, Vertiv Group Corp. assumes no responsibility, and disclaims all liability, for damages resulting from use of this information or for any errors or omissions.

