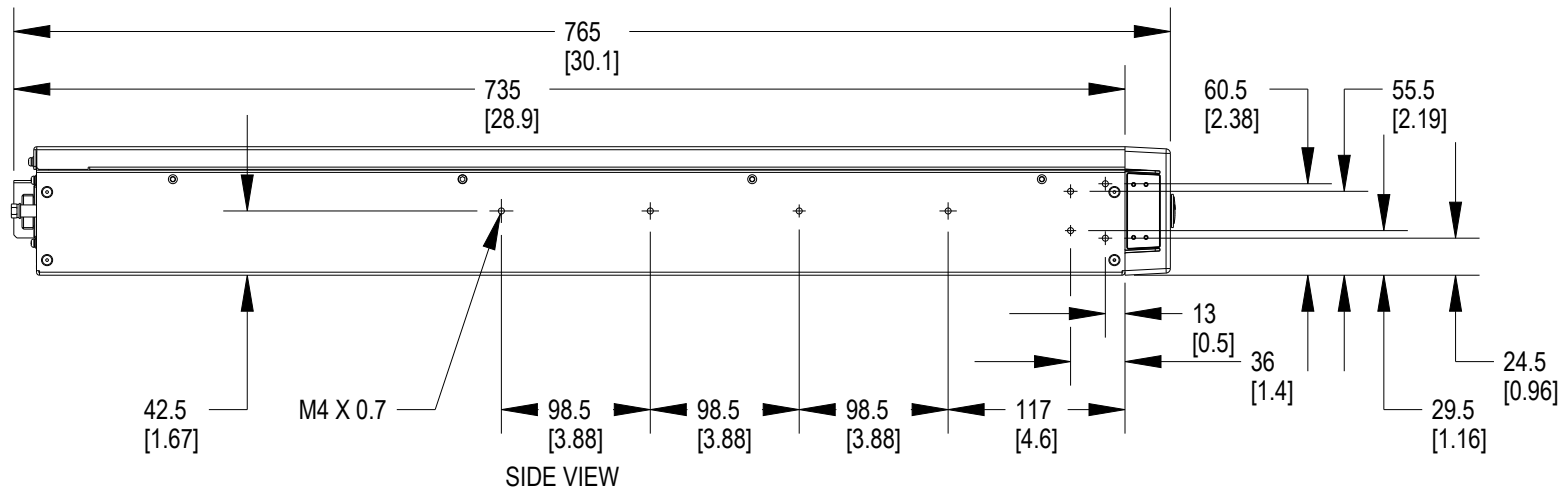
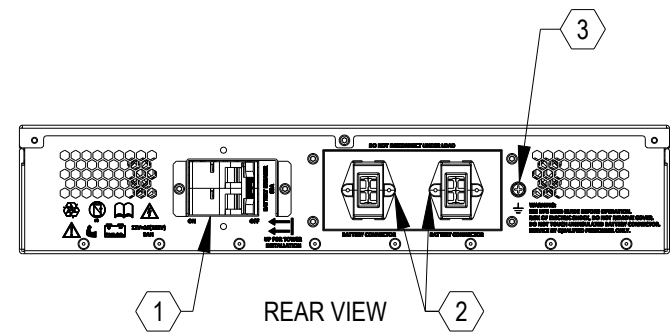
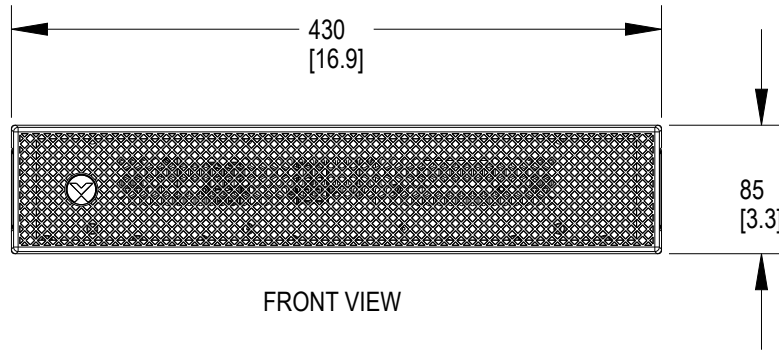


2


1



- ① 63A OUTPUT CIRCUIT BREAKER
- ② EXTERNAL BATTERY CONNECTORS
- ③ GROUND SCREW

## NOTES

1. UNIT DIMENSIONS (WxDxH) 430mm x 765mm x 85mm(2U)  
(16.9") x (30.1") x (3.3")
2. UNIT WEIGHT WITH EBC: 58.4kg (128.8lbs)
3. SHIPPING DIMENSIONS (WxDxH) 600mm x 850mm x 405mm  
(23.6") x (33.5") x (15.9")
4. SHIPPING WEIGHT: 78kg (172lbs)
5. MINIMUM AIRFLOW CLEARANCE IS 100mm (4.0")  
FRONT AND REAR.

SHEET NO. 1 OF 1	DRAWN BY: AVINASH PATIL	TITLE <b>OUTLINE DRAWING GXE3-EBC192VRT2U</b>	DWG. NO. GXE3-EBC192VRT2U	
CO. NO. -	DESIGNED BY: P BENNER		DATE (LATEST REV.) 03-NOV-22	
REF DWG. -	APPROVED BY: P BENNER		REVISION 0	

2

1