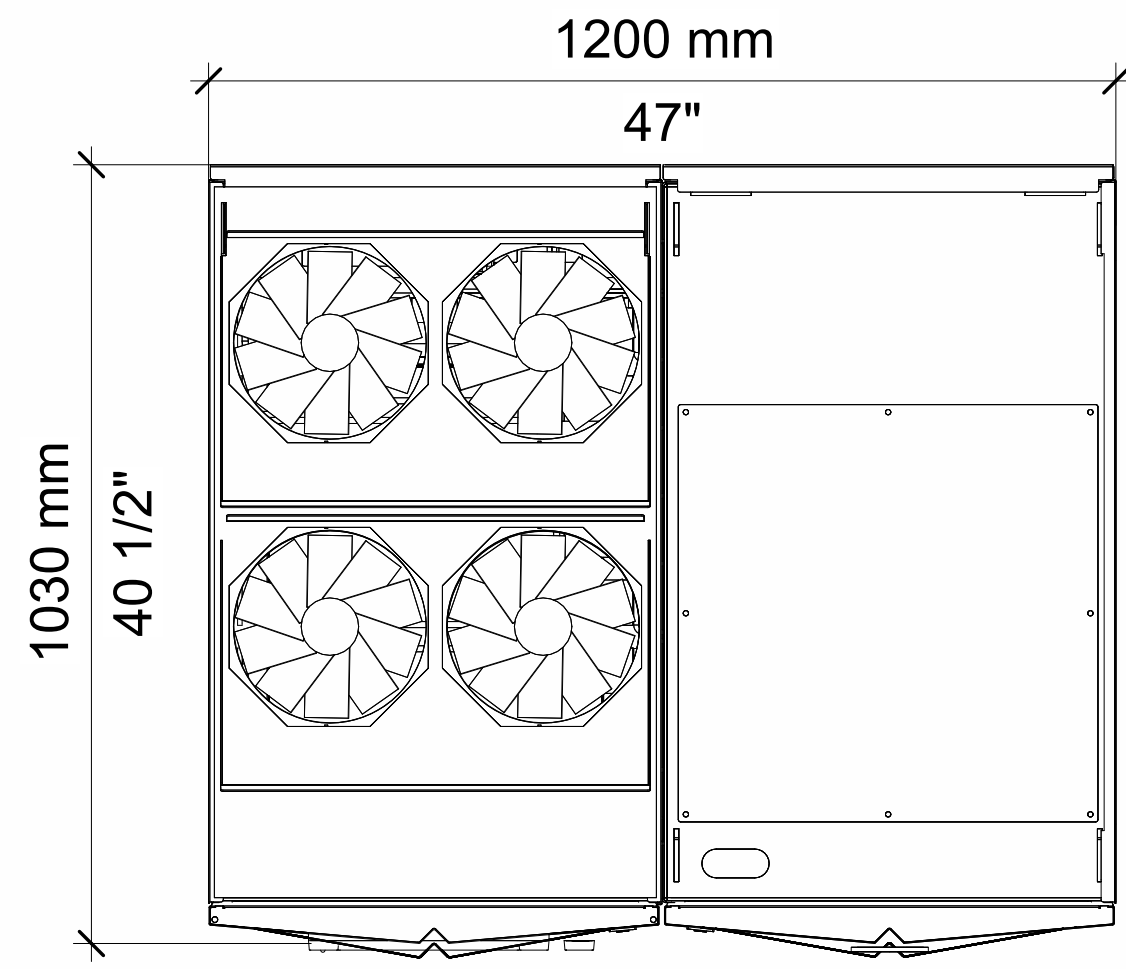
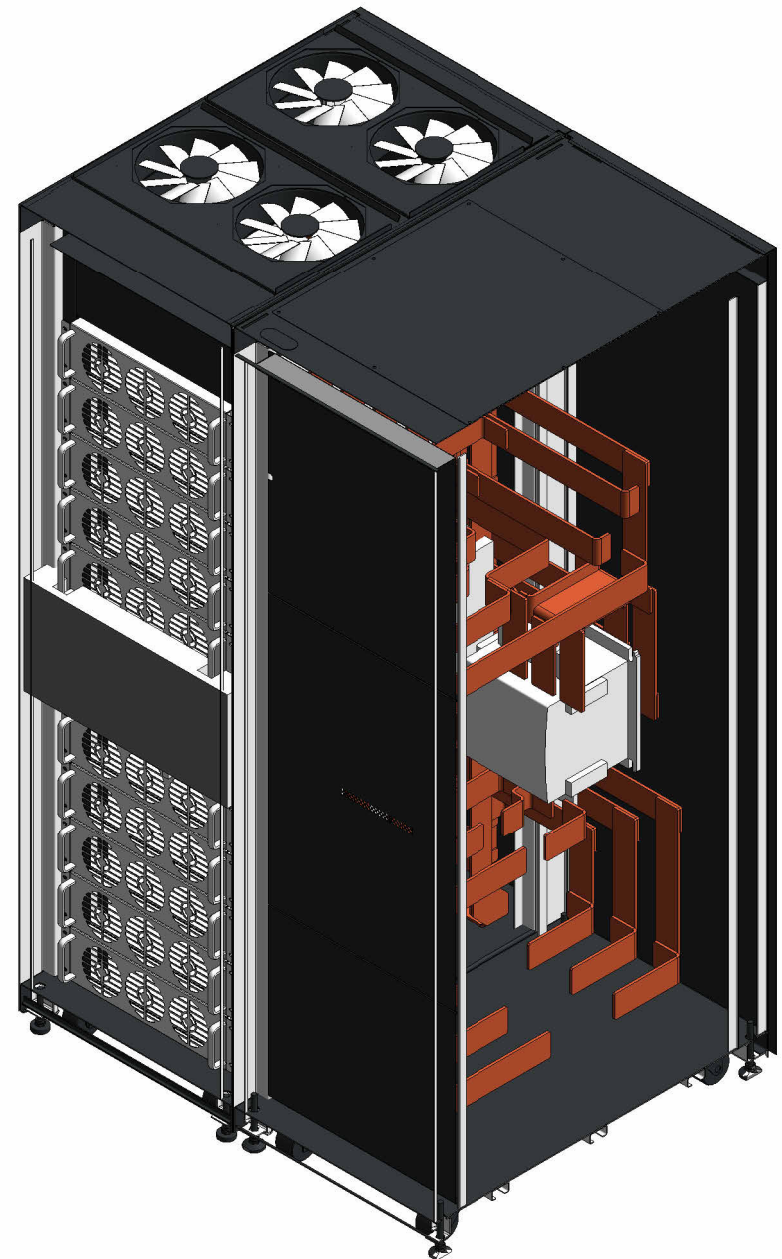


LEGAL DISCLAIMER: THIS DOCUMENT AND THE CONTENTS HEREIN ARE CONFIDENTIAL AND THE SOLE PROPERTY OF VERTIV. REPRODUCTION, DISTRIBUTION, OR UNAUTHORIZED USE OF THIS DOCUMENT OR ANY PARTS WITHIN THIS DOCUMENT ARE FORBIDDEN WITHOUT THE WRITTEN CONSENT OF VERTIV.



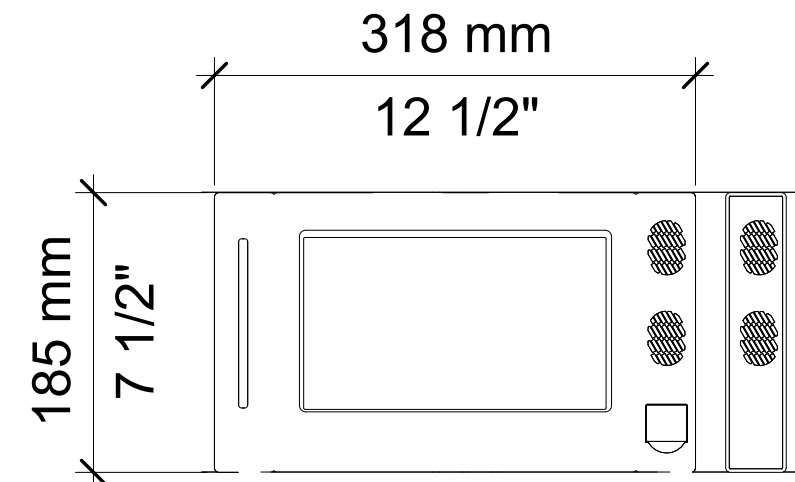
Top View



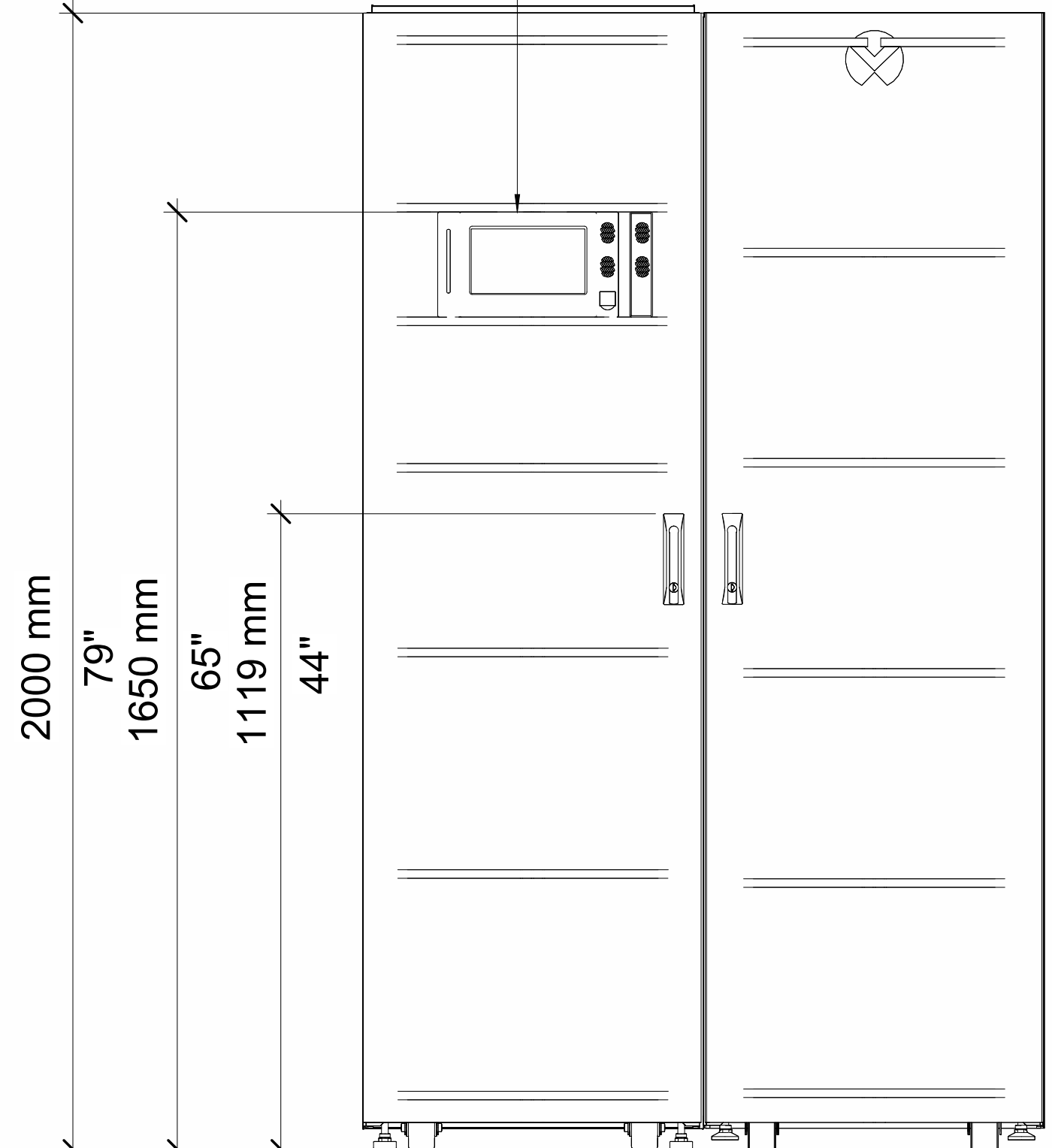
3D Section View



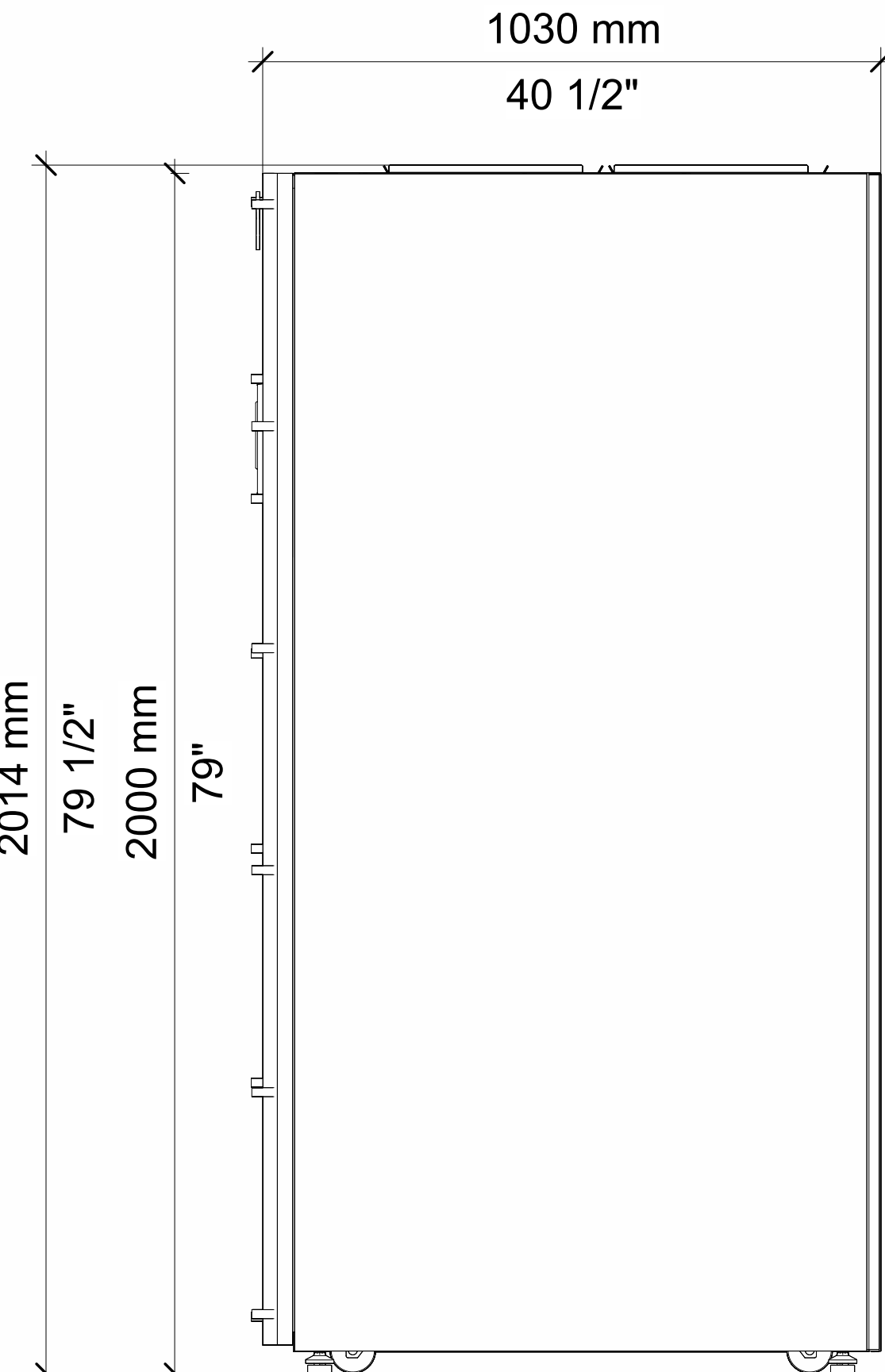
3D View



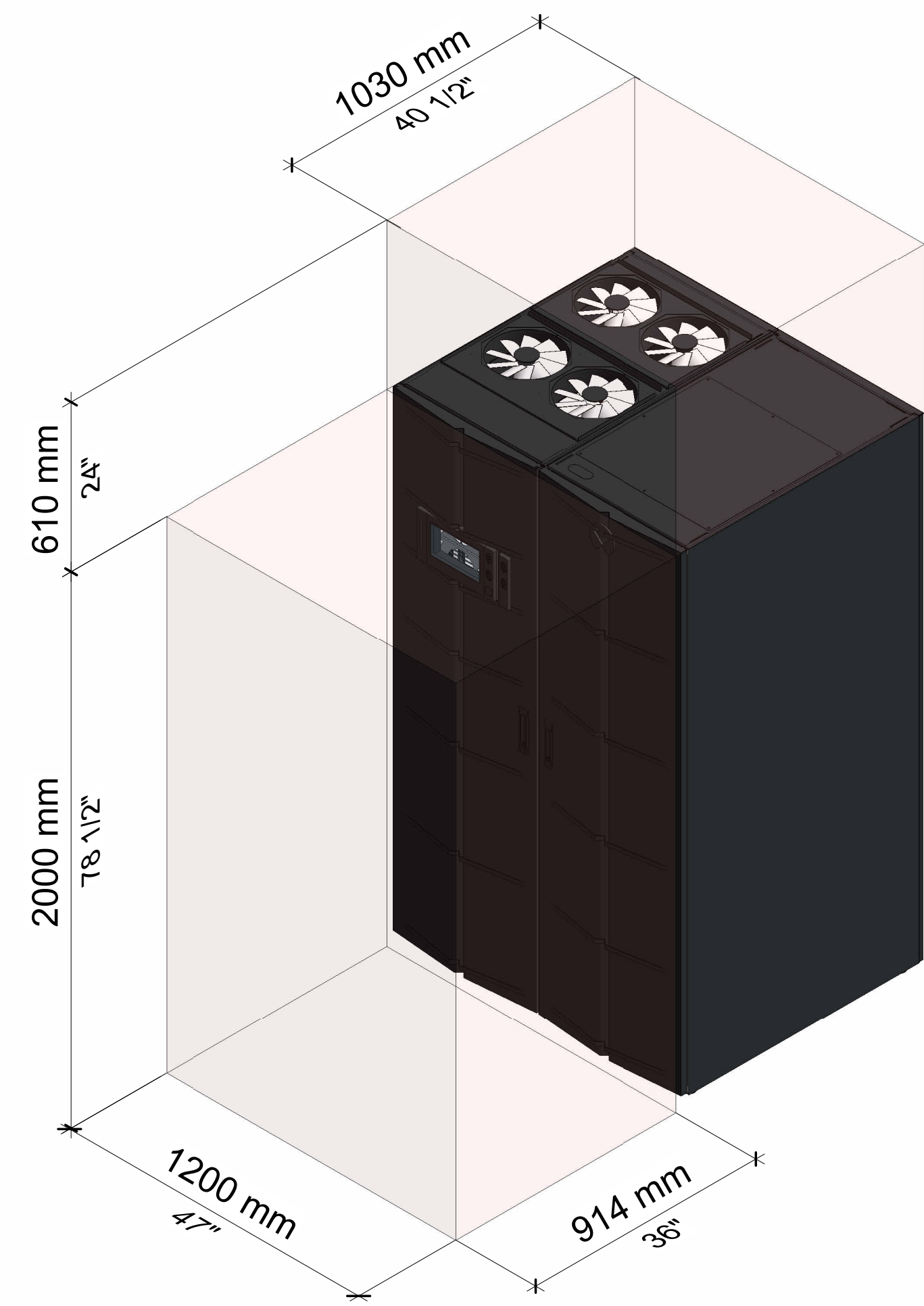
Display



Front View



Side View



Clearance View

KEYNOTES

KEY PLAN

REV.	DESCRIPTION	DATE



PROJECT NAME
laS_ACP_1137

DRAWING NAME
APM2-60-600kVA

DOCUMENT RESPONSIBLE / APPROVED BY
BIM Team Pune
PREPARED BY (ALSO SUBJECT RESPONSIBLE IF OTHER)
Author

SHEET SIZE	DRAWING SCALE	DATE (YYYY-MM-DD)	REVISION
A1	NTC	2024-12-16	