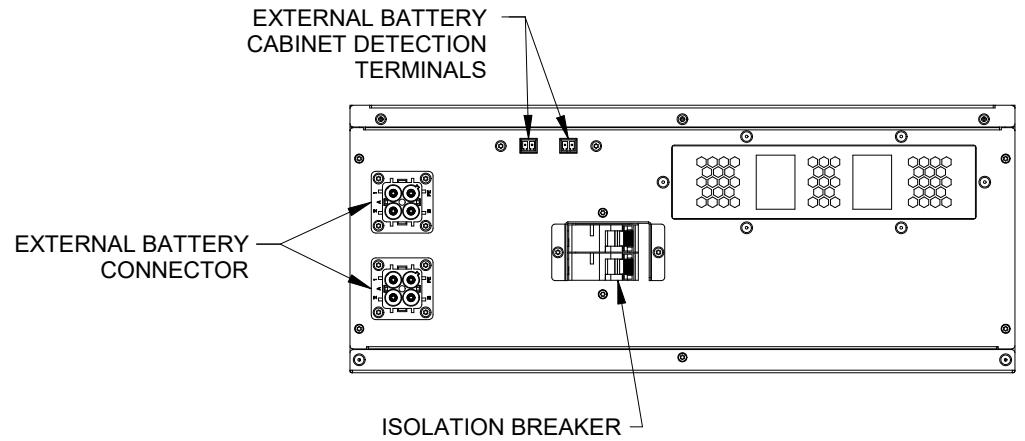
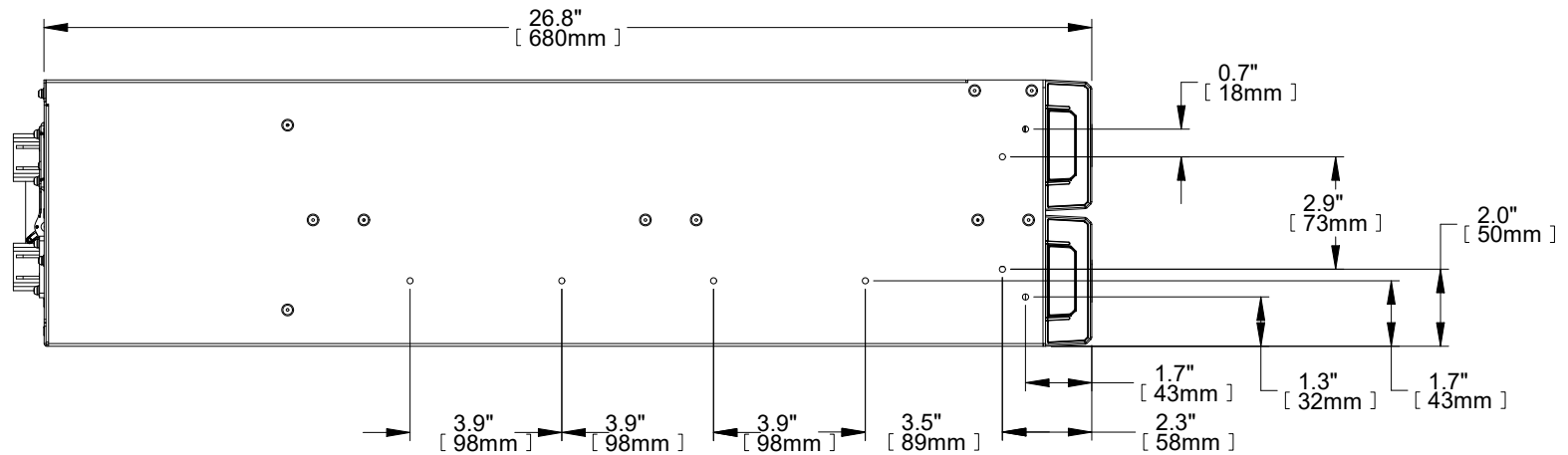


**FRONT VIEW**



**REAR VIEW**



**SIDE VIEW**

**NOTES:**

1. UNIT DIMENSIONS (WxDxH): 16.9" x 26.8" x 6.8" (4U)  
(430mm) x (680mm) x (173mm)
2. UNIT WEIGHT: 189.6lbs (86kg)
3. SHIPPING DIMENSIONS (WxDxH): 35.5" x 25.7" x 23.2"  
(845mm) x (630mm) x (570mm)
4. SHIPPING WEIGHT: 233.7lbs (106kg)
5. MINIMUM AIRFLOW CLEARANCE IS 4.0" (100mm) FRONT AND REAR.

DRAWN BY B. LAY	SHEET NO. 1 OF 1
CHK BY M. MCCLINCY	ECN NO.
REF. DWG.	ORDER NO.

OUTLINE DRAWING  
LIEBERT GXT5  
288V EXTERNAL BATTERY CABINET

DWG. NO. GXT5-288VEBC_OD	DATE 1/30/19	REV. # 0	1050 DEARBORN DRIVE P.O. BOX 29186 COLUMBUS, OHIO 43229
-----------------------------	-----------------	-------------	---

