



Vertiv™ NetSure™
Pedestals
Ordering Guide



Table of Contents

Family	Pedestal	Fiber	Copper	Coax	Page
PRO Series					
	Vertiv BBE PRO Series	x	x		3
	Vertiv BBE PRO, ProMBDE, PRO4H	x	x		7
	Vertiv BBE PRO, MI	x	x		9
	Vertiv BBE PRO, URB	x	x		12
	Vertiv BBE PRO, Vault	x	x		14
BD Series					
	Vertiv BBE BD, UPCBD2	x	x		16
	Vertiv BBE BD, UPCBD3, 4, 5	x	x		18
	Vertiv BBE BD, BDFOKIT	x			20
	Vertiv BBE BD, NSFBD	x			22
	Vertiv BBE BD, UPCBD7	x	x		24
	Vertiv BBE BD, UPCBD8000	x	x		26
Fiber Pedestals					
	Fiber Optic Applications Overview	x			28
	Vertiv BBE FDH Series	x			32
	Vertiv BBE FDH, PLC Splitter Modules	x			34
	Vertiv BBE SE, SIP40	x			36
OPFO Series					
	Vertiv BBE OPFO, OPFOBD7	x			38
	Vertiv BBE OPFO, OPFOTV8	x			40
	Vertiv BBE OPFO, OPFOTV11	x			42
	Vertiv BBE OPFO, OPFOP14, 1420, 1830	x			44
DSLAM Enclosures					
	Vertiv BBE DSL, CoolPed 3.0	x	x		46
UP Series					
	Vertiv BBE SE, UPC1850	x	x		48
	Vertiv BBE SE, UPC1000, 1248, 1278		x		50
	Vertiv BBE SE, UPC1000LOC, 1248LOC		x		52
	Vertiv BBE SE, UP1652		x		54
CAD Series					
	Vertiv BBE CAD, CAD12		x		56
	Vertiv BBE CAD, CAD4, 6, 8		x		58
TV Series					
	Vertiv BBE TV, TV40, 60LP			x	60
	Vertiv BBE TV, TV80			x	62
	Vertiv BBE SE, Access 360			x	64
	Vertiv BBE TV, TV104, 106			x	66
	Vertiv BBE TV, TV710			x	68
	Vertiv BBE TV, TV1016, 1024			x	70
	Vertiv BBE TV, TV1600, 2400, 2500			x	72

Key Features

- Lift-off dome permits 360° access to all wirework and equipment.
- Short self-supporting split base with or without snap-on mounting stake for added stability.
- “Slide and secure” mounting plate easily locks into base, simplifying installation.
- Universal mounting plate hole pattern accepts all types of terminal blocks and provides greater mounting space.
- Removable service wire channel for greater capacity needs.
- Entry port above bottom edge prevents loss of gravel in the base.
- Seamless integral flood dome protects wirework from flood submersion; no joint worries.
- Service drops are routed from the service channel, to the bond bracket, to the block, for efficient wire management.
- Single point self-locking cover provides security.
- Meets or exceeds RUS requirements

Description

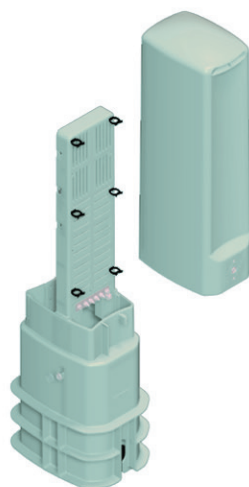
The Vertiv™ NetSure™ PRO Series is the premier line of non-metallic pedestals from Vertiv. These pedestals incorporate strength, rigidity and security all in a high performance thermo-plastic material designed to Telcordia GR-13 CORE specifications.

The NetSure™ PRO Series pedestal provides the most craft-friendly design presently on the market. Optimal working space is ensured for fiber/copper splicing, bonding and grounding, terminal block attachment, service wire entry, conduit placement, wire grooming and management. Further the NetSure PRO pedestal provides simplified installation through its split/rehab base design, slide and secure multi-position mounting plate assembly, and self-latching dome accommodate varying soil conditions ProForm is available in a self-supporting short base or a snap-on mounting stake. Supplemental mounting stakes are also available if additional stability is required.

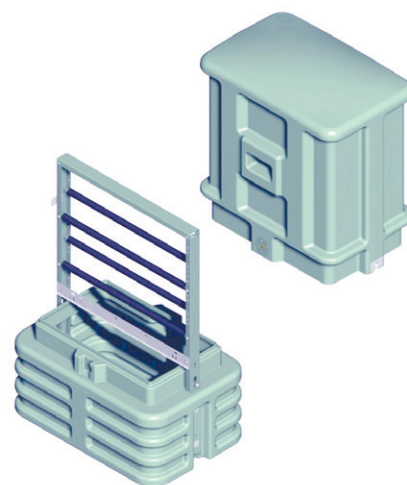
The NetSure PRO pedestal's unique shape provides superior splicing capacity, to better secure open wire bundles and/or wirework enclosures. Its shape also provides improved aesthetics over competitive plastic pedestals, for a “less industrial” appearance.

Application

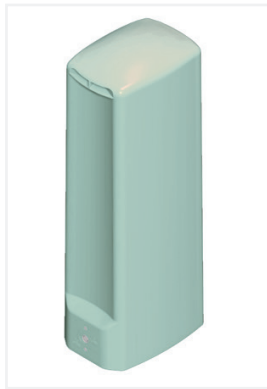
Vertiv™ NetSure™ PRO Series pedestals are ideal for applications where non-metallic construction, flood protection, or 360° access is desired. These pedestals can be configured for buried distribution telecommunications equipment, including fiber/copper splice and fixed count termination applications.



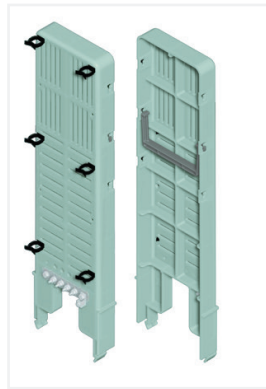
Vertiv™ NetSure™ PRO8
Short Self-Supporting Base



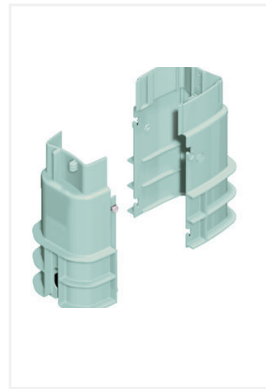
Vertiv™ NetSure™ PRO1830
Splice Pedestal



Dome



Mounting Plate



Short Split/Rehab Base



Snap-On Stake

Dome

- Single point self-locking
- Integral flood protection available
- Increased splice capacity
- Lift-off handles

Mounting

- “Slide and secure” snap in ease
- Universal mounting pattern
- Wire grooming
- Bonding flexibility
- High capacity splice ladder
- Secure splice ladder snap

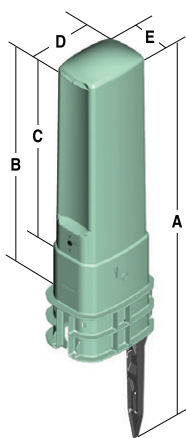
Base

- Short self supporting split/rehab base
- Snap-on stake (optional) / integral spade base
- Tool-less installation
- In ground stability
- Multiple divider plate mounting positions
- Molded in ground line
- Removable front access service wire channel
- Temporary service grommets

Dimensions

Catalog Number	A	B	C	D	E
Short Self-Supporting Base					
Pro6	45-in.	35-in.	30-in.	9-in.	6.5-in.
Pro8	45-in.	35-in.	30-in.	10.5-in.	8-in.
Pro10	45-in.	35-in.	30-in.	12-in.	10.8-in.
Pro12	45-in.	35-in.	30-in.	14.5-in.	11.5-in.
Pro14	51-in.	38-in.	36-in.	17.7-in.	17.7-in.
Pro1420	51-in.	38-in.	36-in.	23.6-in.	17.6-in.
Pro1830	51-in.	38-in.	36-in.	33.8-in.	21.8-in.
Snap-On Stake/Integral Spade Base					
Pro6	65-in.	35-in.	30-in.	9-in.	6.5-in.
Pro8	65-in.	35-in.	30-in.	10.5-in.	8-in.
Pro10	65-in.	35-in.	30-in.	12-in.	10.8-in.
Pro12	60-in.	35-in.	30-in.	14.5-in.	11.5-in.

* Height of enclosure above ground.



Short Self-Supporting Base
Shown with Snap-On Stake

Ordering Information

Catalog Number	Part Number	Description
PRO6HIRNG	F1004818	6-in. non-metallic split-base pedestal with snap-on stake and mounting plate
PRO6HSRNG	F1004819	6-in. non-metallic split-base pedestal with mounting plate
PRO8HIRNG	F1005007	8-in. non-metallic split-base pedestal with snap-on stake and mounting plate
PRO8HSRNG	F1005008	8-in. non-metallic split-base pedestal with mounting plate
PRO8HSRNGE	F1006565	8-in. non-metallic split base pedestal, empty
PRO10HIRNG	F1005011	10-in. non-metallic split-base pedestal with snap-on stake and mounting plate
PRO10HSRNG	F1005012	10-in. non-metallic split-base pedestal with mounting plate
PRO10HSRNGE	F1006528	10-in. non-metallic split base pedestal, empty
PRO12HIRNG	F1005015	12-in. non-metallic split-base pedestal with integral spade and mounting plate
PRO12HSRNG	F1005016	12-in. non-metallic split-base pedestal with mounting plate
PRO12HSRNGE	F1006530	12-in. non-metallic split base pedestal, empty
PRO14	F1007436	14-in. x 14-in. non-metallic flood protected pedestal with (2) splice bars
PRO1420	F1006909	14-in. x 20-in. non-metallic flood protected pedestal with (4) splice bars
PRO1830	F1006910	18-in. x 30-in. non-metallic flood protected pedestal with (4) splice bars
PRO14NVNT	F1010216	14-in x 14in non-metallic pedestal w/mounting plate
OPFOP14	F1011026	14in x 14in non-metallic pedestal with fiber/mounting brackets
OPFOP1420	F1007747	14in x 20in non-metallic pedestal with fiber/mounting brackets
OPFOP1830	F1007746	18in x 30in non-metallic pedestal with fiber/mounting brackets

NOTE: Minimum order quantities apply.

Accessories (Mounting Stakes)

Catalog Number	Part Number	Description	UOM	MOQ std. Package
MS1332	F602132	32-in. pedestal mounting stake	Each	50
MS1342	F604080	42-in. pedestal mounting stake	Each	50
PROSPADE	F1008603	Non-metallic snap-on stake for Pro6, Pro8 and Pro10 size only	Each	10
PRO1418MTGPLT	F1007411	Mounting plate for PRO14, 1420 and 1830 pedestals		
OPFOP14BKTKIT	F1011027	Mounting bracket kit to convert existing PRO14 to OPFOP		
OPFOP1420BKTKIT	F1011028	Mounting bracket kit to convert existing PRO1420 to OPFOP		
OPFOP1830BKTKIT	F1011029	Mounting bracket kit to convert existing PRO1830 to OPFOP		

Specifications

Pedestal Series	Splicing Volume	Splice Capacity	Splice Connections	Terminal Block Capacity	Service Wire Channel Capacity	Conduit Capacity
Pro6	560 cu in.	400 pair	800	1	10-5 pair drops	One 4-in. & two 2-in.
Pro8	960 cu in.	600 pair	1200	2	10-5 pair drops	Two 4-in.
Pro10	1680 cu in.	900 pair	1800	2	12-5 pair drops	Four 4-in.
Pro12	3000 cu in.	1500 pair	3000	3	16-5 pair drops	Four 4-in. & two 2-in.
Pro14	5700 cu in.	2500 pair	5000	3	N/A	Nine 4-in.
Pro1420	7600 cu in.	3000 pair	6000	4	N/A	Twelve 4-in.
Pro1830	14,000 cu in.	5000 pair	10,000	6	N/A	Twenty-four 4-in.

NOTE: Total number of pairs spliced is dependant on connector use and local practice.

Key Features

- Lift off dome for 360° access to all wirework and equipment.
- Seamless integral flood protection protects wirework from submersion.
- Integral universal mounting backboard for terminal blocks and good housekeeping.
- Removable lower front cover permits easy access to service wire and buried cable.
- Installation flexibility — pedestal may be self-supported, stake joint, pole or wall-mounted.

Description

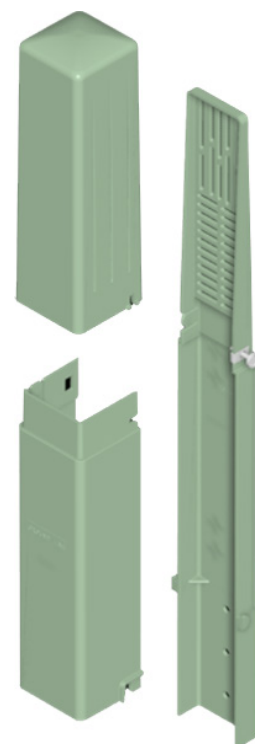
The Vertiv™ NetSure™ PRO Series PROMBDE and Vertiv™ NetSure™ PRO Series PRO4H are 4-in. square member's of the Vertiv™ NetSure™ PRO non-metallic pedestal family.

The NetSure™ PROMBDE serves as a telephone buried wire storage enclosure and the NetSure™ PRO4H serves as a distribution enclosure.

Application

The NetSure PROMBDE wire storage enclosure is recommended for storing buried service wire ends until they are needed for unfinished houses. The NetSure ProMBDE will accommodate up to eight buried service wire ends that have been joined to a buried cable in a below-ground splice. It also is capable of housing small pair count terminations or one 50-ft. loop of buried service wire.

The NetSure PRO Series pedestals are ideal for applications where non-metallic construction, flood protection, or 360° access is desired.



Dimensions

Catalog Number	A	B	C	D	E
PRO4H/PROMBDE	37-in.	20-in.	15-in.	4.5-in.	4.5-in.

* Height of enclosure above ground.

Ordering Information

Catalog Number	Part Number	Description	RDUP Equivalents
PROMBDE	F1004099	4-in. non-metallic buried wire storage pedestal	
PRO4H	F1004495	4-in. non-metallic pedestal with bond bar	B02

NOTE: Minimum order quantities apply

Accessories

Catalog Number	Part Number	Description
MS1332	F602132	Mounting stakes 32-in.
MS1342	F604080	Mounting stakes 42-in.
PRO4GNDBKT	F1004496	Ground Bracket

Key Features

- Metal fiber mounting plate accommodates slack storage on one side and splicing on the other.
- Radius limiting spools improve fiber management and reduce chance of signal loss.
- Accommodates up to 12 feet of 144 loose tube fiber and up to 6 splice trays (12" H x 4.5" W).
- Lift-off dome for 360° access permits complete access to all wirework and equipment.
- Seamless integral flood dome protects wirework from flood submersion; no joint worries.
- Single point self-locking cover provides secure pedestal locking, and eased craft access.
- Short self-supporting split base with or without snap-on mounting stake.
- Meets or exceeds RUS requirements.

The Vertiv™ NetSure™ PRO, MI Series is designed for high speed buried distribution applications at the network edge.

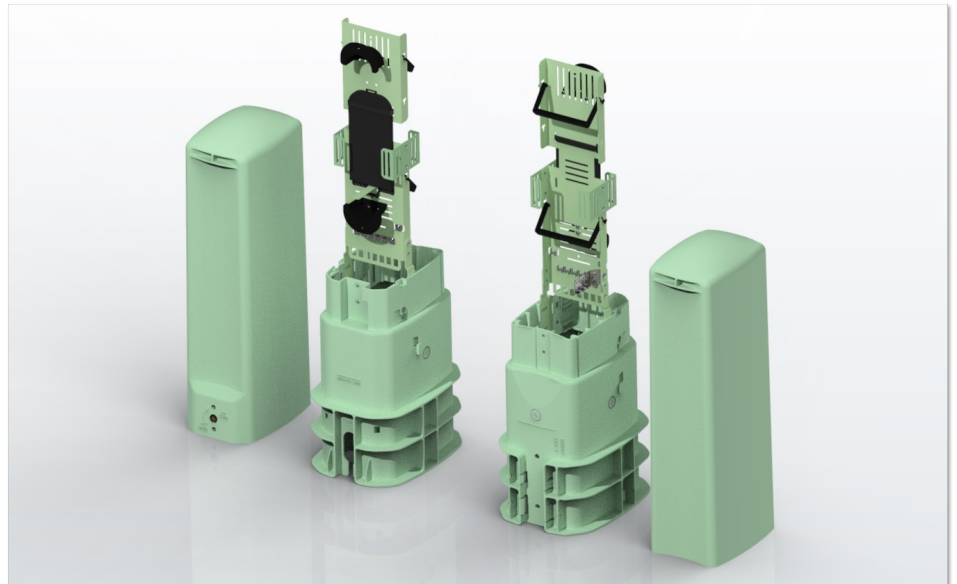
Description

The Vertiv™ NetSure™ PRO, MI Series of non-metallic pedestals incorporates strength, rigidity and security all in a high performance thermo-plastic material designed to Telcordia GR-13 CORE specifications.

The MI mounting plate provides fiber distribution on a center mounted metal insert. The craft-friendly design of the PRO Series enclosure ensures ample working space for fiber management and conduit placement, and the fiber distribution mounting plate is designed for slack storage, splicing and drops. Installation is simplified through the split/rehab base design and self-latching dome, and to accommodate varying soil conditions, supplemental mounting stakes are available if additional stability is required.

Application

The Vertiv™ NetSure™ PRO, MI Series enclosure is ideal for applications where non-metallic construction, flood protection, or 360° access is desired. These pedestals are designed for slack storage, fiber splicing and drops in buried distribution FTTH applications.



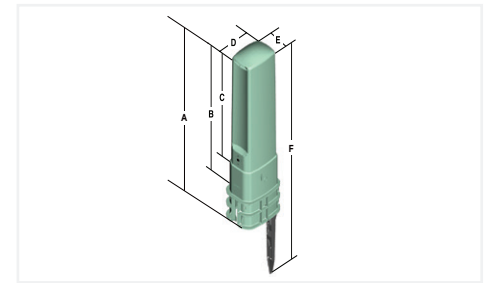
*Vertiv™ NetSure™ PRO, MI Series Pedestal
Front & Back Views with Self-Supporting Base and Metal Insert
(fiber cable & splice trays not included)*

Dimensions

Pedestal	A	B*	C	D	E	F
	Short Self-Supporting Base			Snap on Stake or Integral Spade		
Pro8	45-in.	35-in.	30-in.	10.5-in.	8-in.	65-in.
Pro10	45-in.	35-in.	30-in.	12-in.	10.8-in.	65-in.

* Height of enclosure above ground.

Diagrams



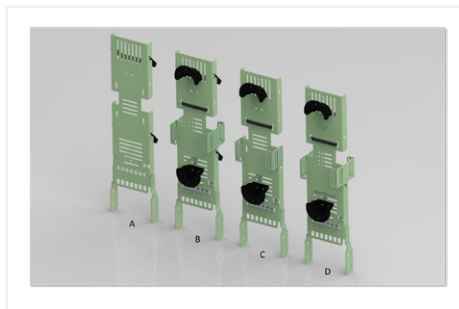
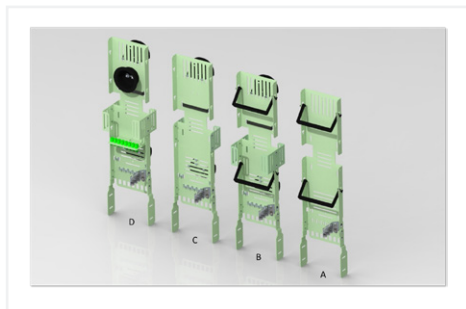
Short Self-Supporting Base Shown with Snap-On Stake

Ordering Information

Catalog Number	Part Number	Description	Figure	Fiber Terminal Block	Fiber Splice and Slack	Copper Splice	SC/APC Fiber Drop
Complete Pedestal Assembly *			Mounting Plate Insert Configuration				
PRO8FING	F1007237	PRO8 split-base pedestal with snap-on mounting stake and fiber splice / slack mounting insert			X		
PRO8FSNG	F1007238	PRO8 split-base pedestal with fiber splice / slack mounting insert				X	
PRO8FSOPCCP	F1011132	PRO8 split-base pedestal with optical block / CCP mounting insert	A	X			X
PRO8FIOPCCP	F1011133	PRO8 split-base pedestal with snap-on mounting stake and optical block / CCP mounting insert	A	X			X
PRO8FSSPCCP	F1011134	PRO8 split-base pedestal with fiber splice / CCP mounting insert	B		X		X
PRO8FISPCCP	F1011135	PRO8 split-base pedestal with snap-on mounting stake and fiber splice / CCP mounting insert	B		X		X
PRO8FSSPOP	F1011136	PRO8 split-base pedestal with fiber splice / optical block mounting insert	C	X	X		
PRO8FISPOP	F1011137	PRO8 split-base pedestal with snap-on mounting stake and fiber splice / optical block mounting insert	C	X	X		
PRO8FSFDP	F1011138	PRO8 split-base pedestal with fiber splice and SC / APC (8) drop mounting insert	D		X		8
PRO88FIFDP	F1011139	PRO8 split-base pedestal with snap-on mounting stake and fiber splice and SC / APC (8) drop mounting insert	D		X		8
PRO10FING	F1007239	PRO10 split-base pedestal with snap-on mounting stake and fiber splice / slack mounting insert			X		
PRO10FSNG	F1007240	PRO10 split-base pedestal with fiber splice / slack mounting insert				X	
PRO10FSOPCCP	F1011140	PRO10 split-base pedestal with optical block / CCP mounting insert	A	X			X
PRO10FIOPCCP	F1011141	PRO10 split-base pedestal with snap on mounting stake and optical block / CCP mounting insert	A	X			X
PRO10FVOPCCP	F1011142	PRO10 vault-mount pedestal with OP / CCP mounting insert	A	X			X
PRO10FSSPCCP	F1011143	PRO10 split-base pedestal with fiber splice / CCP mounting insert	B		X		X
PRO10FISPCCP	F1011144	PRO10 split-base pedestal with snap-on mounting stake and fiber splice / CCP mounting insert	B		X		X
PRO10FVSPCCP	F1011145	PRO10 vault-mount pedestal with fiber splice / CCP mounting insert	B		X		X
PRO10FSSPOP	F1011146	PRO10 split-base pedestal with fiber splice / optical block mounting insert	C	X	X		
PRO10FISPOP	F1011147	PRO10 split-base pedestal with snap-on mounting stake and fiber splice / optical block mounting insert	C	X	X		
PRO10FVSPPOP	F1011148	PRO10 vault-mount pedestal with fiber splice / optical block mounting insert	C	X	X		
PRO10FFSFDP	F1011149	PRO10 split-base pedestal with fiber splice and SC / APC (12) drop mounting insert	D		X		12
PRO10FIFDP	F1011150	PRO10 split-base pedestal with snap-on mounting stake and fiber splice and SC / APC (12) drop mounting insert	D		X		12
PRO10FVFDP	F1011151	PRO10 vault-mount pedestal with fiber splice and SC / APC (12) drop mounting insert	D		X		12

Ordering Information

Catalog Number	Part Number	Description	Figure	Fiber Terminal Block	Fiber Splice and Slack	Copper Splice	SC/APC Fiber Drop
Stand-Alone "MI Series" Inserts; Pedestals Sold Separately **				Mounting Plate Insert Configuration			
PRO8FMPLT	F1007331	Mounting plate fiber splice / slack insert for PRO8			X		
MPLT8OPCCP	F1011124	Mounting plate optical block / CCP mounting insert for PRO8	A	X		X	
MPLT8SPCCP	F1011125	Mounting plate fiber splice / CCP mounting insert for PRO8	B		X	X	
MPLT8SPOP	F1011126	Mounting plate fiber splice / optical block mounting insert for PRO8	C	X	X		
MPLT8FDP	F1011127	Mounting plate fiber splice and SC / APC (8) drop mounting insert for PRO8	D		X		8
PRO10FMPLT	F1007168	Mounting plate fiber splice / slack insert for PRO10			X		
MPLT10OPCCP	F1011128	Mounting plate optical block / CCP mounting insert for PRO10	A	X		X	
MPLT10SPCCP	F1011129	Mounting plate fiber splice / CCP mounting insert for PRO10	B		X	X	
MPLT10SPOP	F1011130	Mounting plate fiber splice / optical block mounting insert for PRO10	C	X	X		
MPLT10FDP	F1011131	Mounting plate fiber splice and SC / APC (12) drop mounting insert for PRO10	D		X		12



Accessories

Catalog Number	Part Number	Description
Stand-Alone "MI Series" Inserts; Pedestals Sold Separately **		
PRO8HSRNGE	F1006565	8-inch non-metallic split base pedestal, empty
PRO10HSRNGE	F1006528	10-inch non-metallic split base pedestal, empty
NSST2448E	F1010586	Universal splice tray, 24 single fusion or 4 mass fusion (48 fibers for PRO8 or PRO10), 10 each
MS1332	F602132	32-inch mounting stake for pedestal, 10 each
MS1342	F604080	42-inch mounting stake for pedestal, 10 each
PROSPADE	F1008603	Non-metallic snap-on stake (PRO6, PRO8 and PRO10 only), 10 each

* MI Series insert included. Splice trays (NST2448E), optical blocks, fiber and fiber drops sold separately.

** Inserts for use in existing pedestals.

Key Features

- Universal Rear-mounting Bracket (URB) accommodates most optical terminal blocks.
- Ample space provided for fiber bend radius.
- "Stake-less" self-supporting base eliminates the need for supplemental mounting stakes.
- Split/Rehab base allows for easier placement over existing cable or pedestal expansion.
- Lift-off dome for 360° access permits complete access to all wirework and equipment.
- Seamless integral flood dome protects wirework from flood submersion; no joint worries.
- Single point self-locking cover provides secure pedestal locking, and eased craft access.
- Short self-supporting split base with or without mounting stake.

Description

The Vertiv™ NetSure™ PRO, URB Series of non-metallic pedestals from Vertiv incorporates strength, rigidity and security all in a high performance thermo-plastic material designed to Telcordia GR-13 CORE specifications. A Universal Rear Bracket (URB) is mounted to the back of the pedestal, providing access to fiber drops and allowing for generous fiber bend radii, routing and future application growth.

The craft-friendly design provides optimal working space for optical terminal block attachment and conduit placement. Installation is simplified through the split/rehab base design and self-latching dome. To accommodate varying soil conditions, supplemental mounting stakes are available if additional stability is required.

Application

Vertiv™ NetSure™ PRO, URB Series pedestals are ideal for applications where non-metallic construction, flood protection, or 360° access is desired. These pedestals are designed for optical terminal blocks in buried distribution FTTH applications.

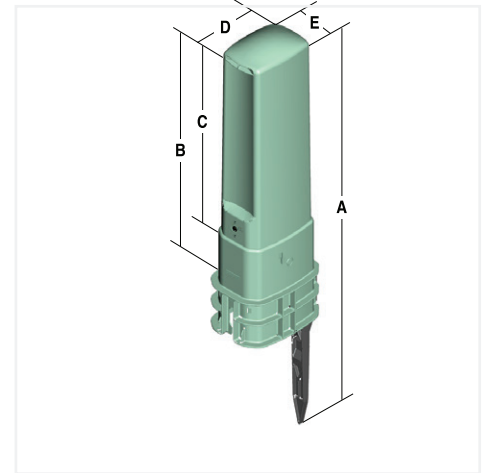


*8-in. Fiber Pedestal
Shown with Self-Supporting Base
and Universal Rear Bracket
(fiber terminal block not included)*

Dimensions

PED	A	A	B*	C	D	E
	Short Self-Supporting Base	Snap on Stake or Integral Spade				
Pro8	45-in.	65- in.	35- in.	30- in.	10.5- in.	8- in.
Pro10	45-in.	65- in.	35- in.	30- in.	12- in.	10.8- in.

* Height of enclosure above ground.



Short Self-Supporting Base
Shown with Snap-On Stake

Ordering Information

Catalog Number	Part Number	Description
PRO8FSNGURB	F1006243	8" split base pedestal with URB
PRO10FINGURB	F1006246	10" split base pedestal with snap-on mounting stake and URB
PRO10FSNGURB	F1006244	10" split base pedestal with URB

Accessories

Catalog Number	Part Number	Description
URBKIT	F1006936	URB upgrade kit for Vertiv BBE PRO Series pedestals
MS1332	F602132	32 -in. mounting stake for pedestal
MS1342	F604080	42-in. mounting stake for pedestal
PROSPADE	F1008603	Non-metallic snap-on stake (PRO6, PRO8 and PRO10 only)

Key Features

- This enclosure easily bolts to top of various hand-hole/vaults with specific cover cutout option.
- Three mounting configurations available: Universal Rear-mounting Bracket (URB), fiber distribution mounting plate, plastic center mounting plate.
- Self-locking lift-off dome for 360° access to all fiber terminations, splicing and equipment.
- Raises fiber drop above grade for easy access and identification.
- Seamless integral flood protection.

Description

The Vertiv™ NetSure™ PRO, Vault Mount Series of non-metallic pedestals incorporates strength, rigidity and security in a high performance thermo-plastic material that meets or exceeds Telcordia GR-13 CORE specifications.

Application

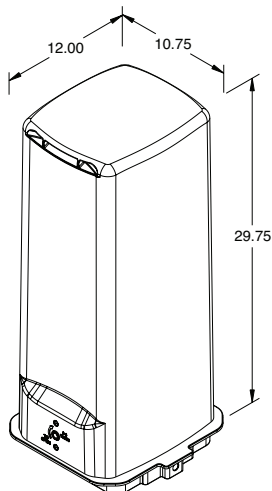
The vault mount enclosure easily bolts to the top of a pre-cast vault with the approved cutout. Three mounting bracket options are available: the Universal Rear-mounting Bracket (URB) is used for optical terminal block mounting; the fiber distribution mounting plate is designed for slack storage, splicing and drops; and the plastic center mounting plate is used for copper distribution and wire management similar to the standard Vertiv™ NetSure™ PRO series.

Various hand-hole vaults accommodate NetSure™ PRO, Vault Mount Series enclosures. To order the vault, contact your hand-hole vault manufacturer directly.



Note: Hand-hole vault (shown above) is not included

Dimensions

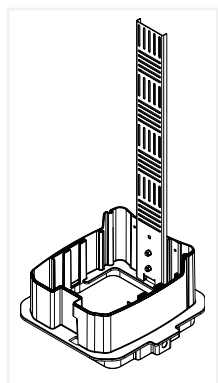


Ordering Information

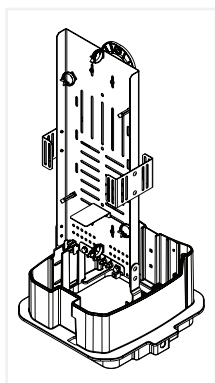
Catalog Number	Part Number	Description
PRO10NFVP	F1007069	Vertiv™ NetSure™ PRO 10-in. vault mount pedestal with URB bracket
PRO10NFVPVNT	F1009508	Vertiv™ NetSure™ PRO 10-in. vault mount pedestal, vented dome with URB bracket (for non-flood proof applications)
PRO10FMVFP	F1007628	Vertiv™ NetSure™ PRO 10-in. vault mount pedestal with fiber mounting plate
PRO10NMVFP	F1007776	Vertiv™ NetSure™ PRO 10-in. vault mount pedestal with plastic center mounting plate
PRO10NEVP	F1008255	Vertiv™ NetSure™ PRO 10-in. vault mount pedestal, empty
PRO10FVOPCCP	F1011142	Vertiv™ NetSure™ PRO 10-in. vault pedestal with OP/CCP mounting plate
PRO10FVSPCCP	F1011145	Vertiv™ NetSure™ PRO 10-in. vault pedestal with fiber splice/CCP mounting plate
PRO10FVSPOP	F1011148	Vertiv™ NetSure™ PRO 10-in. vault pedestal with fiber splice/optical block mounting plate
PRO10FVDFDP	F1011151	Vertiv™ NetSure™ PRO 10-in. vault pedestal with fiber splice and SC/APC (12) drop mounting plate

Accessories

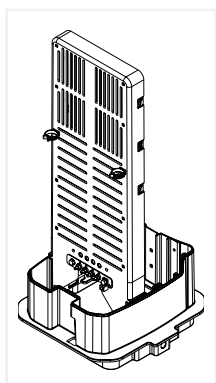
Catalog Number	Part Number	Description
PRO10FMPLT	F1007168	10-in. fiber mounting plate
URBKIT	F1006936	URB, Universal rear mounting bracket kit
PROURBACCKIT	F1007021	URB accessory bracket kit
PRO10MTGPLT	F1007343	Plastic center mounting plate for 10" FTTP pedestal
PROCCPPLATE	F1005802	Combined connection mounting plate
PROACCPPLATE	F1007017	Accessory mounting plate
PROVISMARKER	F1005649	Decal, high visibility, strip, 27-in. long X 1.5-in. wide, 50 per package



PRO10NFVP



PRO10FMVFP



PRO10NMVFP

Key Feature

- Rugged metal housing made of mill-galvanized steel for durability and low maintenance costs.
- Our unique multi-stage paint process meets or exceeds EPA standards, and provides a tough corrosion-resistant finish for longer life.
- Factory installed stand-off bracket provides easy access to cable conductors.
- Tongue-in-groove fit of upper cover protects against environmental conditions.
- Factory installed dielectric shield with Velcro fasteners offers ultraviolet protection of cable conductors; is more user friendly.
- Meets or exceeds RUS requirements.

Description

The Vertiv™ NetSure™ BD Series UPCBD2 is a round-cornered, square-design telephone distribution pedestal. Included in the NetSure™ BD Series UPCBD2 are: a dielectric shield, stand-off bracket, and shield isolation bonding/grounding bracket assembly.

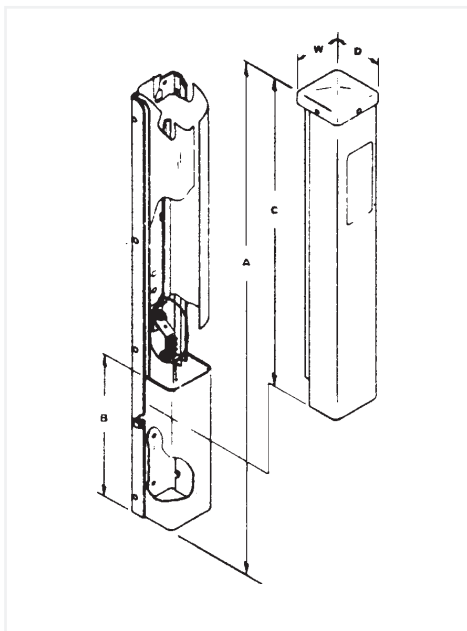
Application

The NetSure BD Series UPCBD2 houses terminations and splices of small pair-count buried cable. Specific applications include termination of all types of service wires and housing all types of splicing arrangements.



Dimensions

Catalog Number	A	B	C	D	W
UPCBD2	36.5-in.	12-in.	24.5-in.	4-in.	4-in.



Ordering Information

Catalog Number	Part Number	Description
UPCBD2*	F604840	4-in. gray-green pedestal

* Equipped with SB234 bracket.

Accessories

Catalog Number	Part Number	Description
P34419	F534419	Dielectric shield
SB234	F604110	Stand-off bracket
GBRBD2	F605113	Bonding and grounding bracket assembly
OB2	F602730	Mounting bracket

NOTE: Stakes and additional mounting hardware are not included and may be ordered separately.

Vertiv™ NetSure™ BD Series

UPCBD3, 4, 5 Broadband Edge Enclosures

Key Features

- Rugged metal housing made of mill-galvanized steel for durability and low maintenance costs.
- Our unique multi-stage paint process meets or exceeds EPA standards, and provides a tough corrosion-resistant finish for longer life.
- Three convenient sizes with four versions for easy access to cable conductors and flexible installations.
- Tongue-in-groove fit of upper cover provides better protection against environmental conditions.
- Dielectric shield is factory installed with Velcro fasteners to offer ultraviolet protection of cable conductors; more user friendly.
- Meets or exceeds RUS requirements.

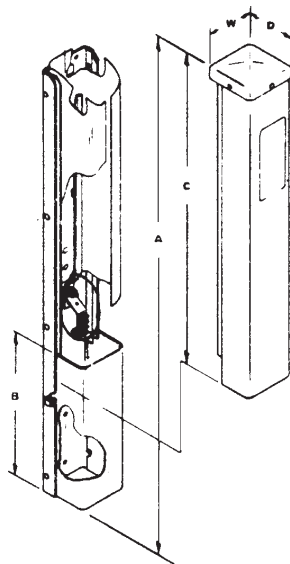
Description

Vertiv™ NetSure™ BD Series UPCBDs are round-cornered square-design telephone enclosures suitable for copper or fiber* distribution. The Vertiv™ NetSure™ UPCBD3, Vertiv™ NetSure™ UPCBD4, and Vertiv™ NetSure™ UPCBD5 include a dielectric shield, cable ties, and a shield isolation bonding/grounding bracket assembly.

Application

The NetSure™ UPCBD3, NetSure™ UPCBD4, and NetSure™ UPCBD5 accommodate buried wires, cables, terminal blocks, and load coil assemblies. Specific uses include termination of buried service wires and all types of splicing arrangements.

* For fiber optic deployment, use of Vertiv™ NetSure™ BDFOKIT (part no. F1007373) accessory is recommended.



Vertiv™ NetSure™ UPCBD3

Dimensions

Catalog Number	A	B	C	D	W
UPCBD3	37-1/4-in.	12-in.	25-1/4-in.	6-3/4-in.	6-3/4-in.
UPCBD4	37-1/4-in.	12-in.	25-1/4-in.	8-1/2-in.	8-1/2-in.
UPCBD5	43-1/4-in.	12-in.	31-1/4-in.	10-1/2-in.	10-1/2-in.

Ordering Information

Catalog Number	Part Number	Description
UPCBD3	F604860	6-in. gray-green pedestal
UPCBD4	F604880	8-in. gray-green pedestal
UPCBD5	F604900	10-in. gray-green pedestal

Catalog Number	Total Splice Pairs
UPCBD3	100 pair
UPCBD4	400 pair
UPCBD5	600 pair

NOTE 1: Total number of pairs spliced depends on connector use and local practices.

NOTE 2: Stakes, additional grounding hardware, and grounding extension kits are not included and may be ordered separately.

Key Features

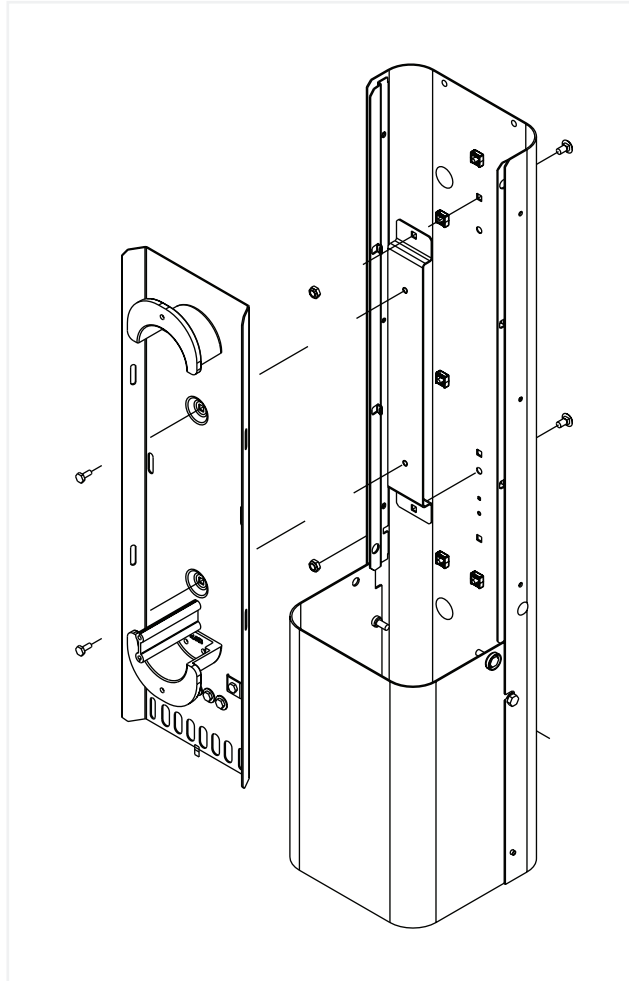
- Kit converts standard inventory
- Radius limiting fiber storage
- Holds up to six splice trays
- Accommodates for splice tray sizes up to 5.5" wide x 12.50" tall
- Store over 10' stack (144-fiber loose tube)
- Fits NetSure UPCBD4 or NetSure UPCBD5 pedestals

Description

The Vertiv™ NetSure™ BD Series BDFO Conversion Kit fits any standard Vertiv™ NetSure™ UPCBD4 or Vertiv™ NetSure™ UPCBD5 pedestal and configures it as a fiber distribution pedestal. The NetSure™ BDFO kit has the capability to mount up to six fiber splice trays and fiber slack.

The NetSure BDFO Kit easily attaches via knockouts on the rear of the Vertiv™ NetSure™ UPCBD4 or Vertiv™ NetSure™ UPCBD5 pedestal. The NetSure BDFO Kit minimizes the need to stock multiple pedestals as the same pedestal may be used for fiber or copper distribution. The NetSure BDFO Kit may also be used to retrofit existing pedestals in the field for fiber deployment.





*Vertiv™ NetSure™ UPCBD Bracket
for Fiber Deployment*

Ordering Information

Catalog Number	Part Number	Description
BDFOKIT	F1007373	Upgrade bracket for BD4 & 5 fiber deployment

Key Features

- Two-sided, closed architecture design.
- Conveniently stores fiber slack and spliced drops in separate compartments.
- Holds up to 5 splice trays per side.
- Accommodates 15 feet of slack cable (144-fiber loose tube).
- Central Strength Member (CSM) clamps provide strain relief for fiber cable.
- Includes a radius limiting spool to protect fiber from bending damage.
- Easily installs within any NetSure UPCBD4 or NetSure UPCBD5 pedestal.

This closed architecture kit instantly converts any standard Vertiv™ NetSure™ UPCBD4/5 pedestal into a fiber distribution pedestal.

Description

The Vertiv™ NetSure™ BD Series Fiber Distribution Kit easily mounts inside any standard NetSure™ UPCBD4 or NetSure™ UPCBD5 pedestal, converting it into a fiber distribution pedestal. The two-sided closed architecture configuration provides optimum environmental protection for fiber equipment against debris, insect and rodents. In addition, there is ample space for fiber slack storage and spliced drops in the two enclosed compartments.

Knockouts on the rear of the Vertiv™ NetSure™ UPCBD pedestal are used to mount the kit. This minimizes the need to stock multiple pedestals, since the same pedestal style can be used for fiber or copper applications.



*Kit Shown Installed with Cover On
(Vertiv™ NetSure™ UPCBD4 pedestal
sold separately)*

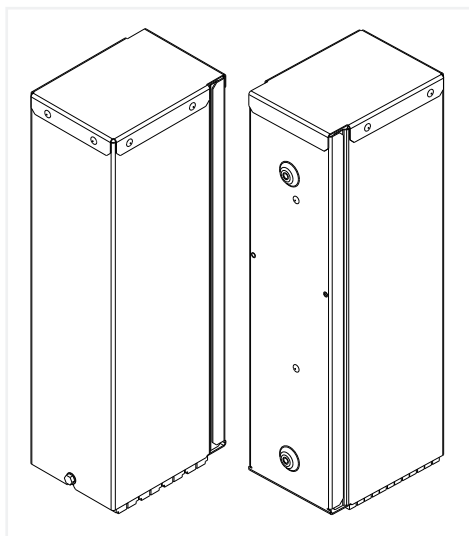
Application

Designed for use in most FTTH applications, the Vertiv™ NetSure™ BD Series Fiber Distribution Kit converts any standard NetSure UPCBD pedestal into a closed architecture, environmentally protected fiber distribution pedestal.



*Feeder and Drop Sides Shown
Installed with Cover Off
(NetSure UPCBD5 pedestal sold separately)*

Diagrams



Exterior Front and Back of Closure
(Isometric View)

Technical Specifications

Closure

Dimensions 21" x 7.5" x 5.6" (H x W x D)

Weight 15 lbs.

Cable Ports

Feeder Side (4) ports up to 0.90" OD cable

Drop Side (6) dual ports up to 0.56" OD cable

Storage

Splice Trays Holds (5) splice trays up to 5" wide and 10.5" tall, per side (maximum stack height of 2.5 inches)

Fiber Slack Fiber Slack 15.5 feet of 144-fiber loose tube

Ordering Information

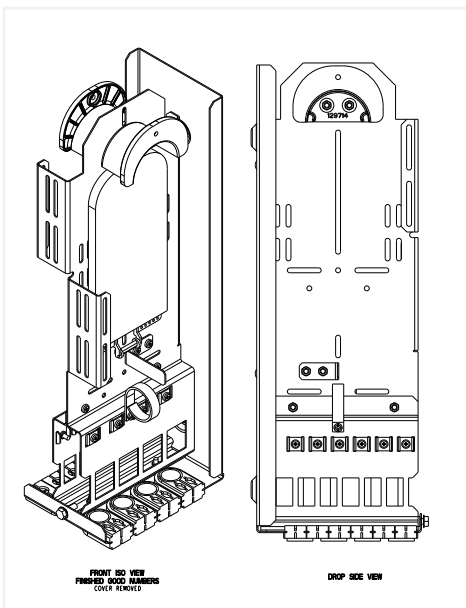
Catalog Number	Part Number	Description
NSFBDSCSCX	F1010627	Fiber distribution kit without splice tray
NSFBDSCSC1	F1010628	Fiber distribution kit with (1) splice tray

UPCBD Pedestals

UPCBD	F604880	8-inch gray-green metal pedestal
UPCBD5	F604900	10-inch gray-green metal pedestal

Accessories

NSST2448E	F1010586	Fiber splice tray; 24 single fusion or 4 mass fusion
MS1332	F602132	32-inch metal mounting stake
MS1342	F604080	42-inch metal mounting stake



Interior Feeder Side (Isometric View)
and Drop Side (Straight On View)

Key Features

- Rugged metal housing made of mill-galvanized steel for durability and low maintenance costs.
- Our unique multi-stage paint process meets or exceeds EPA standards, and provides a tough corrosion resistant finish for longer life.
- Double-access hinged doors allow easy access to all conductors.
- Positive action three-point locking mechanism with padlock provisions provides security from unauthorized entry.
- RUS accepted bonding/grounding system accommodates the RUS PE-91 requirement for bonding/grounding.
- Close-cell neoprene door gasketing offers weatherproof protection for internal components.
- Stake- or pad-mount capability for installation flexibility of multiple applications.

Description

The Vertiv™ NetSure™ BD Series UPCBD7 is a round-cornered, rectangular telephone equipment enclosure accepted for use by the RUS. The NetSure™ UPCBD7 includes two PVC-coated splice support bars, ground and cable support bar, grounding connector, weather stripping, and two mounting stakes.

Application

The NetSure UPCBD7 serves as an above-ground enclosure used for splicing, load-coil mounting, mounting of cross-connect systems, terminal blocks, and other telco equipment.



Dimensions

Catalog Number	A	B	C	D	W	Splice	Cable Size	External Loading
UPCBD7	48-in.	14-in.	33-1/8-in.	11-3/8-in.	23-in.	2400 pair	3-in.	400 pair

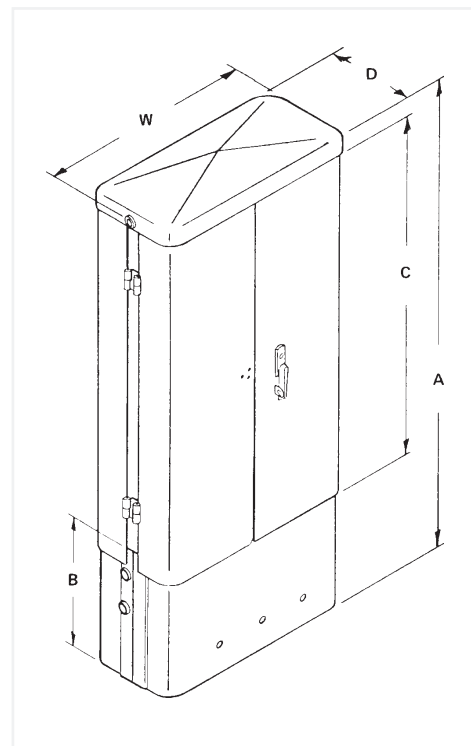
NOTE: Total number of pairs spliced are dependent on connector use and local practices.

Ordering Information

Catalog Number	Part Number	Description
UPCBD7	F604310	Gray-green BD7 enclosure with brackets

Accessories

Catalog Number	Part Number	Description
MS1342	F604080	Metal stakes
PADMT200300	F605650	Pad-mounting kit



Key Features

- Rugged metal housing made of mill-galvanized steel for durability and low maintenance costs.
- Our unique multi-stage paint process meets or exceeds EPA standards, and provides a tough corrosion resistant finish for longer life.
- Double-access hinged doors offer easy access to all conductors.
- Removable base cover provides simplified installation.
- Adjustable splice bars permit flexibility in dressing of conductors and splices.
- Close-cell neoprene door gasketing provides weatherproof protection for internal components.
- Positive action locking mechanism with padlock provision ensures security from unauthorized entry.
- Built-in pad-mounting capability in the base allows installation flexibility for multiple applications.
- Meets or exceeds RUS requirements.

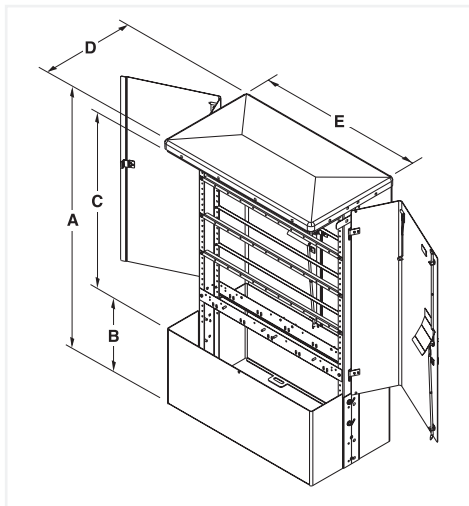
Description

The Vertiv™ NetSure™ BD Series UPCBD8000 is a round-cornered rectangular-design copper/fiber splice or equipment enclosure. The NetSure™ UPCBD8000 may be used for high pair-count splices, cross-connect interface, fiber equipment, loop treatment electronics, and combined connection applications. This unit includes adjustable splice bars, two bonding and grounding bars, and pad-mounting hardware. Brackets for pad-mounting are built into the front and the rear bases. Although pad-mounting is recommended, stake-mounting holes are also provided.

Application

The NetSure UPCBD8000 serves as an RUS accepted above-ground housing for large PIC cable splices, load coils, loop treatment devices, cross-connects, and combined connection applications.





Vertiv™ NetSure™ UPCBD8000

Dimensions

A	B	C	D	W
50-in.	14-in.	34-in.	18-in.	32-in.

* Thirty-five mounting locations on the vertical columns are spaced 1-in. apart, for use with 1/4-14" x 1/2" long self-threading hardware. The distance between the left and right column hole centers is 29.90-in.

Ordering Information

Catalog Number	Part Number	Description	Splice
UPCBD8000	F604058	Gray-green splice enclosure	7200 pair

NOTE: Total number of pairs spliced is dependent on the connector and local practices.



Vertiv™ NetSure™ UPCBD8000
(front and rear doors open)

Accessories

Catalog Number	Part Number	Description
MS1342	F604080	42-in. mounting stake

** Use when pad mounting is not desirable.

Distribution Enclosure For Fiber Optic Applications

Overview

Vertiv™ NetSure™ FDH Series

The Vertiv™ NetSure™ FDH Series of enclosures provides connections between fiber optic cables and passive optical splitters in the outside plant environment and is ideal as a Local Convergence Point (LCP) for aggregation in a centralized splitting Passive Optical Network (PON) FTTx architecture. Available in both loose tube and ribbon configurations.



Vertiv offers a comprehensive line of Vertiv™ NetSure™ Integrated Solutions pre-configured for FTTx deployment.



*Vertiv™ NetSure™ FDH Compact Series
Integrated Fiber Distribution Hub Solution*

Empty Pedestal

PRO8HIRNGE	F1006564	PRO8 pedestal with integral spade, empty
PRO8HSRNGE	F1006565	PRO8 pedestal, empty
PRO10HIRNGE	F1006527	PRO10 pedestal with integral spade, empty
PRO10HSRNGE	F1006528	PRO10 pedestal, empty
PRO10NEVP	F1008255	PRO10 fiber vault pedestal, empty

Vertiv™ NetSure™ FDH Series

Part Number	Catalog Number	Description
Pedestals (100' dielectric loose tube, SC/APC, no splitter included)		
NSFDH1072AXX100D	F1008492	PRO10 pedestal, 72 port FDH
NSFDH1096AXX100D	F1010509	PRO10 pedestal, 96 port FDH
NSFDH10144AXX100D	F1010511	PRO10 pedestal, 144 port FDH
NSFDH10V72AXX100D	F1008733	PRO10 vault pedestal, 72 port FDH
NSFDH10V96AXX100D	F1010510	PRO10 vault pedestal, 96 port FDH
NSFDH10V144AXX100D	F1010512	PRO10 vault pedestal, 144 port FDH
Pedestals (100' Ribbon, Fiber SC/APC No Splitter Included)		
NSFDH1072AXX100R	F1011182	PRO10 pedestal, 72 port ribbon FDH
NSFDH109672AXX100R	F1011183	PRO10 pedestal, 96 port ribbon FDH
NSFDH10144AXX100R	F1011184	PRO10 pedestal, 144 port ribbon FDH
NSFDH10V72AXX100R	F1011185	PRO10 vault pedestal, 72 port ribbon FDH
NSFDH10V96AXX100R	F1011186	PRO10 vault pedestal, 96 port ribbon FDH
NSFDH10V114AXX100R	F1011187	PRO10 vault pedestal, 144 port ribbon FDH
Splitter Modules		
NSSPLT132AD	F1008495	1x32 splitter module, SC/APC for PRO10 FDH
NSSPLT116AE	F1009027	1x16 splitter module, SC/APC for PRO10 FDH

NOTE: Other configurations available. See individual product brochures or call customer service for more information.



Distribution Enclosure for Fiber Optic Applications



Our diverse line of pedestals can be used in a wide variety of fiber optic applications.

- Vertiv™ NetSure™ Pro, URB Series**
 The Universal Rear Bracket (URB) is designed for mounting optical terminal blocks in buried distribution FTTH applications. The NetSure™ URB is mounted to the back of the pedestal, providing access to fiber drops and allowing for generous fiber bend radii, routing and future application growth.

- Vertiv™ NetSure™ Pro, MI Series**
 These 8" and 10" non-metallic pedestals with center mounted metal insert are configured for a wide variety of fiber deployment. This unique design accommodates up to 12 feet of 144 loose tube fiber and up to 6 splice trays.

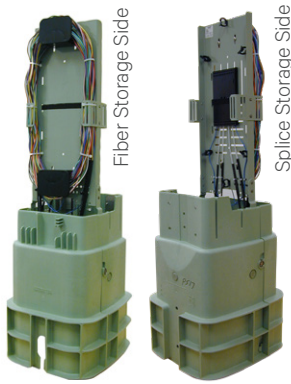
- Vertiv™ NetSure™ PRO, Vault Series**
 These 10" pedestals easily mount to the top of a pre-cast vault with approved cutout. Mounting brackets can accommodate optical terminal blocks, slack storage, splicing and drops, and copper distribution.

- Vertiv™ NetSure™ BD Fiber Optic Kits**
 Convert any standard Vertiv™ NetSure™ UPCBD4 and Vertiv™ NetSure™ UPCBD5 pedestal into a fiber distribution terminal. The two-sided closed architecture Vertiv™ NetSure™ NSFBD fiber distribution kit conveniently stores fiber slack and spliced drops in separate compartments. The open architecture Vertiv™ NetSure™ BDFO fiber splice kit accepts up to 6 splice trays with room for bulk fiber storage.

- Vertiv™ NetSure™ OPFO Series Splice Closures**
 Large capacity weather-resistant cabinets designed to protect fiber optic splices in both buried and aerial distribution systems.



Vertiv™ NetSure™ PRO
URB Series



Vertiv™ NetSure™ PRO
MI Series



Vertiv™ NetSure™ PRO
Vault Series



Vertiv™ NetSure™ BD Series
NSFBD Fiber Distribution Kit



Vertiv™ NetSure™ BD Series
BDFO Fiber Splice Kit



Vertiv™ NetSure™ OPFO Series
Splice Closures

Nonmetallic and metallic versions available.



Ordering Information

Catalog No.	Part No.	Description
Vertiv™ NetSure™ PRO, URB Series		
PRO6FINGURB	F1007872	6" split base pedestal with snap-on mounting stake and URB
PRO6FSNGURB	F1007873	6" split base pedestal with URB
PRO8FINGURB	F1006245	8" split base pedestal with snap-on mounting stake and URB
PRO8FSNGURB	F1006243	8" split base pedestal with URB
PRO10FINGURB	F1006246	10" split base pedestal with snap-on mounting stake and URB
PRO10FSNGURB	F1006244	10" split base pedestal with URB
PRO12FINGURB	F1006857	12" split base pedestal with integral spade and URB
PRO12FSNGURB	F1006856	12" split base pedestal with URB
URBKIT	F1006936	URB upgrade kit for ProFORM® pedestals
Vertiv™ NetSure™ PRO, MI Series		
8" pedestal		
PRO8FING	F1007237	PRO8 pedestal with stake and fiber mounting plate
PRO8FSNG	F1007238	PRO8 pedestal with fiber mounting plate
PRO8FSOPCCP	F1011132	PRO8 pedestal with optical block/CCP mounting plate
PRO8FIOPCCP	F1011133	PRO8 pedestal with stake and optical block/CCP CCP mounting plate
PRO8FSSPCCP	F1011134	PRO8 pedestal with fiber splice/CCP mounting plate
PRO8FISPCCP	F1011135	PRO8 pedestal with stake and fiber splice/CCP mounting plate
PRO8FSSPOP	F1011136	PRO8 pedestal with fiber splice/optical block mounting plate
PRO8FISPOP	F1011137	PRO8 pedestal with stake and fiber splice/optical block mounting plate
PRO8FSFDP	F1011138	PRO8 pedestal with fiber splice and SC/APC (8) drop mounting plate
PRO8FIFDP	F1011139	PRO8 pedestal with stake and fiber splice and SC/APC (8) drop mounting plate
PRO8FMPLT	F1007331	Fiber mounting plate for PRO8 pedestals
10" Pedestal		
PRO10FING	F1007239	PRO10 pedestal with stake and fiber mounting plate
PRO10FSNG	F1007240	PRO10 pedestal with fiber mounting plate
PRO10FSOPCCP	F1011140	PRO10 pedestal with optical block/CCP mounting plate
PRO10FIOPCCP	F1011141	PRO10 pedestal with stake and optical block/CCP mounting plate
PRO10FSSPCCP	F1011143	PRO10 pedestal with fiber splice/CCP mounting plate
PRO10FISPCCP	F1011144	PRO10 pedestal with stake and fiber splice/CCP mounting plate
PRO10FSSPOP	F1011146	PRO10 pedestal with fiber splice/optical block mounting plate
PRO10FISPOP	F1011147	PRO10 pedestal with stake and fiber splice/optical block mounting plate
PRO10FFSFDP	F1011149	PRO10 pedestal with fiber splice and SC/APC (12) drop mounting plate
PRO10FIFDP	F1011150	PRO10 pedestal with stake and fiber splice and SC/APC (12) drop mounting plate
PRO10FVOPCCP	F1011142	PRO10 vault mount pedestal with OP/CCP mounting plate
PRO10FVSPCCP	F1011145	PRO10 vault mount pedestal with fiber splice/CCP mounting plate
PRO10FVSPPOP	F1011148	PRO10 vault mount pedestal with fiber splice/optical block mounting plate
PRO10FVFDP	F1011151	PRO10 vault mount pedestal with fiber splice and SC/APC (12) drop mounting plate
PRO10FMPLT	F1007168	Fiber mounting plate for PRO10 pedestals

Catalog No.	Part No.	Description
Vertiv™ NetSure™ PRO, Vault Series		
PRO10NFVP	F1007069	ProFORM® 10" fiber vault pedestal with URB bracket
PRO10NFMVP	F1007628	ProFORM 10" fiber vault pedestal with fiber mounting plate
PRO10NMVP	F1007776	ProFORM 10" fiber vault pedestal with plastic center mounting plate
PRO10NEVP	F1008255	ProFORM 10" fiber vault pedestal, empty
Vertiv™ NetSure™ BD Series Fiber Optic Kits		
BDFOKIT	F1007373	BDFO fiber splice kit for BD4 & 5 fiber deployment
NSFBDSCSCX	F1010627	NSFBD fiber distribution kit without splice tray
NSFBDSCSC1	F1010628	NSFBD fiber distribution kit with (1) splice tray
BDURBKIT	F1011120	URB upgrade kit for Vertiv BBE PRO Series pedestals
UPCBD3	F604860	6-in. gray-green pedestal
UPCBD4	F604880	8-in. gray-green pedestal
UPCBD5	F604900	10-in. gray-green pedestal
Vertiv™ NetSure™ OPFO Series Splice Closures		
OPFOBD7	F112503	24" x 11" fiber splice closure cabinet, pad mount
OPFOTV8	F112497	Fiber splice pedestal, metallic
OPFOTV11	F112474	Fiber splice pedestal, metallic
OPFOP14	F1011026	Fiber splice pedestal, non-metallic
OPFOP1420	F1007747	Fiber splice pedestal, non-metallic
OPFOP1830	F1007746	Fiber splice pedestal, non-metallic
Splitters		
NSSPLT132AD	F1008495	1x32 splitter module, SC/APC for PRO10 FDH
NSSPLT116AE	F1009027	1x16 splitter module, SC/APC for PRO10 FDH
Splice Trays		
NSST2448E	F1010586	Universal splice tray

Applications range from ground shield fault and location, to pedestal distribution and storage of fiber.

Key Features

Enclosure

- Compact size simplifies installation with smaller than traditional cabinets and one person installation
- Direct buried application eliminates pad, lowering cost
- Pedestal mount is flood proof with two layers of environmental protection
- Vault pedestal option mounts directly onto various hand-holes
- Internal hinged bulkhead panel
- Available with 72, 96 and 144 fiber distribution ports
- Standard pass-through ports for bypassing splitters
- Radius limiting spools improve fiber management
- Pre-terminated distribution and feeder cables
- Designed to GR-771 Telcordia requirements

Splitter Module

- High-density, high performance optical splitter (1x32)
- Pre-terminated with SC/APC connectors
- Bend insensitive fiber

Vertiv™ NetSure™ FDH Series pedestals provide connections for fiber optic cables and passive optical splitters in FTTx applications.

Description

The NetSure™ FDH Series of fiber distribution hub pedestals provides connections between fiber optic cables and passive optical splitters in the outside plant environment. An internal weather-tight closure, integrated with our field proven pedestal, offers an alternative to traditional Vertiv™ NetSure™ FDH cabinets. The NetSure FDH Series is smaller in size for a less obstructive closure, and includes 2-layers of environmental protection for flood proof features not found in traditional FDH solutions.

With its compact size and smaller distribution count, the NetSure FDH Series installs deeper into your FTTH architecture. Not only is this more flexible, but more economical to deploy. No need to incur the cost of digging and pouring a concrete pad, you directly bury the NetSure FDH pedestal, requiring only one craft-person for installation.

The series is available in 72, 96 or 144 port distribution with pre-terminated SC/APC 100' dielectric loose tube or ribbon feeder and distribution cable stub as the standard configuration.

Application

The NetSure FDH Series is ideal as a Local Convergence Point (LCP) for aggregation in a centralized splitting Passive Optical Network (PON) FTTx architecture. This solution is designed for above grade and flood proof applications.



Technical Specifications

FDH Compact Series: PRO10	72 Port	96 Port	144 Port
Distribution Count	72	96	144
Distribution Cable Configuration	72-fiber	96-fiber	144-fiber
Feeder Cable Configuration	6 fiber (loose tube) / 12 fiber (ribbon)	6 fiber (loose tube) / 12 fiber (ribbon)	6 fiber (loose tube) / 12 fiber (ribbon)
Splitter Module Capacity	6	6	6

Splitter Module: 1x32 SC/APC

Operating Wavelength	1280 nm to 1650 nm
Insertion Loss (includes loss from connector)	17.5 dB (max.) 17.0 dB (typ.)
Uniformity	≤ 1.5 dB
Return Loss	≥ 55 dB
Directivity	>60 dB
PDL (max.)	≤ 0.30 dB
Operating Temperature	-40 °C to 85 °C



*Loose-Tube Solution
96-Port Enclosure with 1x32 Splitter
(1x32 splitter sold separately)*

Ordering Information

Catalog Number	Part Number	Description
Pedestals (100' dielectric loose tube, SC/APC, no splitter included)		
NSFDH1072AXX100D	F1008492	PRO10, 72 port FDH
NSFDH10V72AXX100D	F1008733	PRO10 vault pedestal, 72 port FDH
NSFDH1096AXX100D	F1010509	PRO10, 96 port FDH
NSFDH10V96AXX100D	F1010510	PRO10 vault pedestal, 96 port FDH
NSFDH10144AXX100D	F1010511	PRO10, 144 port FDH,
NSFDH10V144AXX100D	F1010512	PRO10 vault pedestal, 144 port FDH
Pedestals (100' ribbon, SC/APC, no splitter included)		
NSFDH1072AXX100R	F1011182	PRO10 pedestal, 72 port ribbon FDH
NSFDH1096V72AXX100R	F1011183	PRO10 pedestal, 96 port ribbon FDH
NSFDH10144AXX100R	F1011184	PRO10 pedestal, 144 port ribbon FDH
NSFDH10V72AXX100R	F1011185	PRO10 vault pedestal, 72 port ribbon FDH
NSFDH10V96AXX100R	F1011186	PRO10 vault pedestal, 96 port ribbon FDH
NSFDH10V144AXX100R	F1011187	PRO10 vault pedestal, 144 port ribbon FDH
Splitter Modules		
NSSPLT132AD	F1008495	1x32 splitter module, SC/APC for PRO10 FDH
NSSPLT116AE	F1009027	1x16 splitter module, SC/APC for PRO10 FDH



*Ribbon Solution
96-Port Enclosure with 1x32 Splitter
(1x32 splitter sold separately)*

Key Features

- Pre-terminated SC/APC pigtails
- Low insertion loss
- Low polarization dependent loss
- High port uniformity
- 2 mm pigtail
- Snap-in module requires no tools
- Pre-parked in 16-fiber modules
- Bend insensitive fiber has 15 mm bend radius
- Telcordia GR-1209-CORE and GR-1221-CORE certified

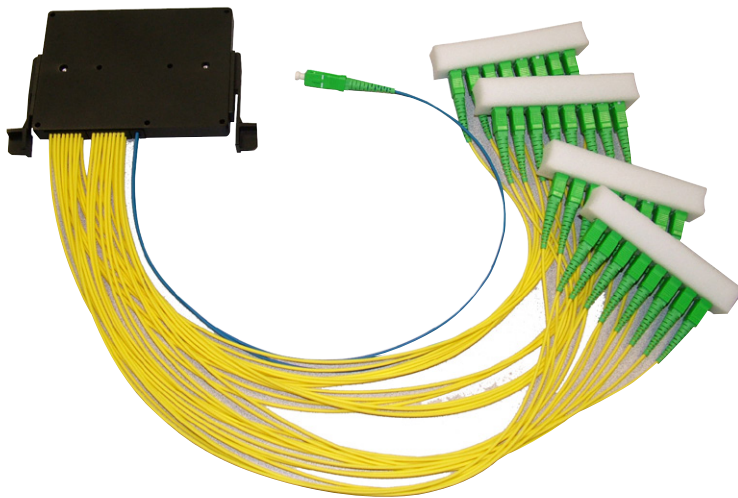
The Vertiv™ NetSure™ FDH Series PLC Splitter Modules are for centralized splitting of fiber on PON FTTx architectures.

Description

The Vertiv™ line of fiber enclosures can be equipped with high performance Planer Lightwave Circuit (PLC) splitter modules that utilize bend insensitive fiber, terminated with SC APC connectors. Our PLC splitters are available in 1 x 16 or 1 x 32 configurations. These splitters passed Telcordia GR-1209-CORE and GR-1221-CORE specifications.

Application

PLC Splitter Modules from Vertiv are ideal for centralized splitting of fiber in Passive Optical Network (PON) FTTx architectures. These splitters are designed for use in NetSure™ FDH cabinets and pedestals.



Vertiv™ NetSure™ FDH Series PLC Splitter Module
(1 x 32 SC APC)

Technical Specifications

	1 x 16	1 x 32
Operating Wavelength	1280 nm to 1650 nm	1280 nm to 1650 nm
Insertion Loss (includes loss from connectors)	14.0 dB (max.) 12.9 dB (typ.)	17.5 dB (max.) 16.6 dB (typ.)
Uniformity	< 1.50 dB	< 1.50 dB
Return Loss	> 55 dB	> 55 dB
Directivity	> 60 dB	> 60 dB
PDL (max.)	< 0.30 dB	< 0.30 dB
Operating Temperature	-40 °C to 85 °C	-40 °C to 85 °C

Ordering Information

Catalog Number	Part Number	Description
NSSPLT132AD	F1008495	1x32 splitter for PRO10 Vertiv BBE FDH Compact Series, SC APC
NSSPLT116AE	F1009027	1x16 splitter for PRO10 Vertiv BBE FDH Compact Series, SC APC

Key Features

- Low profile provides an aesthetically pleasing installation.
- Economical method of locating shield faults eliminates the need for expensive test equipment.
- Compatible for use with fiber optic and copper cable to accommodate both cable applications.
- Terminates 6AWG solid wire to ground connector for low-cost installation.
- Padlock provisions provide security from unauthorized entry.

Description

The Vertiv™ NetSure™ SE Series SIP40 is a shield isolation pedestal for bonding fiber optic or copper underground splice cables to test for cable shield faults.

Closures are manufactured of heavy gauge mill-galvanized steel, treated with a unique finishing process for longer life.

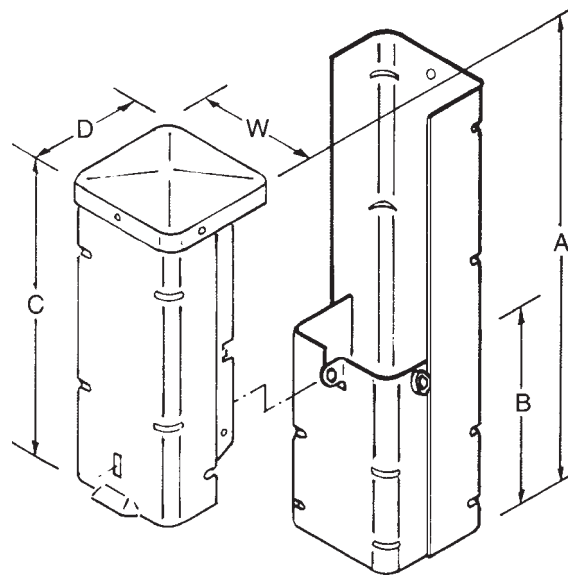
Stakes are not included and must be ordered separately.

Application

The NetSure™ SIP40 is designed for use with either fiber or copper splices. Terminations can be made with an insulated solid 6AWG copper wire to the ground connectors supplied.



Vertiv™ NetSure™ SIP40



Dimensions

Catalog Number	A	B	C	D	W
SIP40	18-1/4-in.	8-in.	11-3/8-in.	4-5/8-in.	4-5/8-in.

Ordering Information

Catalog Number	Part Number	Description
SIP40	F604975	SIP40 F604975 5-in. gray-green pedestal with 6AWG ground lug connectors

Accessories

Catalog Number	Part Number	Description
UPCBDHDW	F601410	Standard mounting stake hardware
MS1342	F604080	One 42-in. stake, green finish
P48246	F548246	Ground bar with 3 lugs, mounting hardware locally provided
P45982	F545982	Ground lug

Key Features

- Accommodates most splice closures for installation flexibility
- Large capacity is ideal for high-density cable runs
- Hinged, removable front doors and removable cap provide easy access to equipment and cable
- Grounding system provides positive grounding of all components
- Stake or pad mountable fits a wide variety of applications
- Cable management posts provide excess cable storage capability
- Closed-cell weather-stripped door edges protect all equipment from the weather
- Positive-action three-point lock offers security from unauthorized entry
- Rugged metal housing made of mill-galvanized steel for durability and low maintenance costs
- Our unique multi-stage paint process meets or exceeds standards, and provides a tough corrosion-resistant finish for longer life
- Meets or exceeds RUS requirements

Description

The Vertiv™ NetSure™ OPFO Series is a large capacity weather-resistant cabinet designed to protect fiber optic splices in buried distribution systems. The NetSure™ OPFO Series' universal mounting strap accommodates most splicing closures. The fiber splice capacity is limited only by the size of the splice enclosure.

Cable management posts allow storage of up to 150 feet (50 meters) of outside plant cable. A ground bar, weather-stripping, and mounting hardware are included for both aerial or buried distribution closures.

Buried distribution can be accomplished in three different ways: stake mounted, recessed mounted or surface pad-mounted. The standard NetSure OPFOBD7 includes stakes.

To surface pad mount, use the PADMT200300 kit with two brackets that can be attached either inside or outside of the base. This kit is not included and must be ordered separately.

Application

The NetSure OPFOBD7 serves as an above-grade housing for the storage and security of fiber optic splice closures and excess outside plant fiber optic cables.



Dimensions Pad-Mount OPFOBD7

A	B	C	D	W
54.75-in.	14-in.	40-in.	11.38-in.	23.75-in.

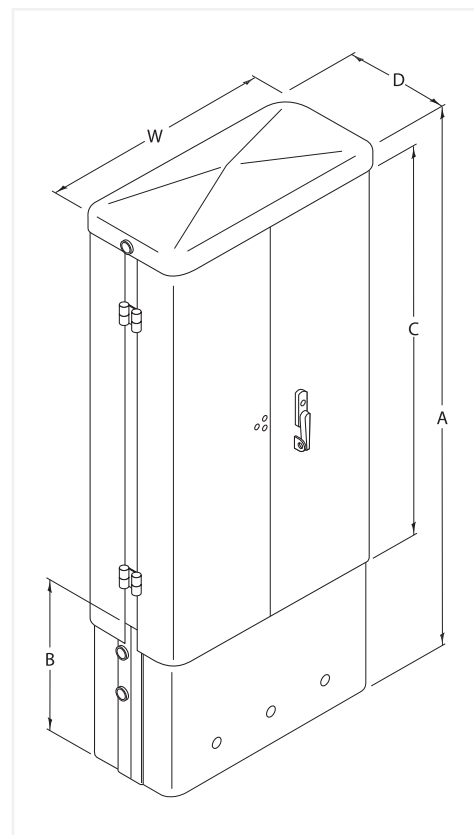
Ordering Information

Catalog Number	Part Number	Description
OPFOBD7	F112503	Buried pad-mount splice cabinet, with two stakes (MS1342)

NOTE: The Vertiv™ NetSure™ OPFO Series is compatible with with many industry standard splice closures.

Accessories

Catalog Number	Part Number	Description
PADMT200300	F605650	Surface mounting kit with two brackets for inside or outside mounting



Vertiv™ NetSure™ OPFOBD7

Key Features

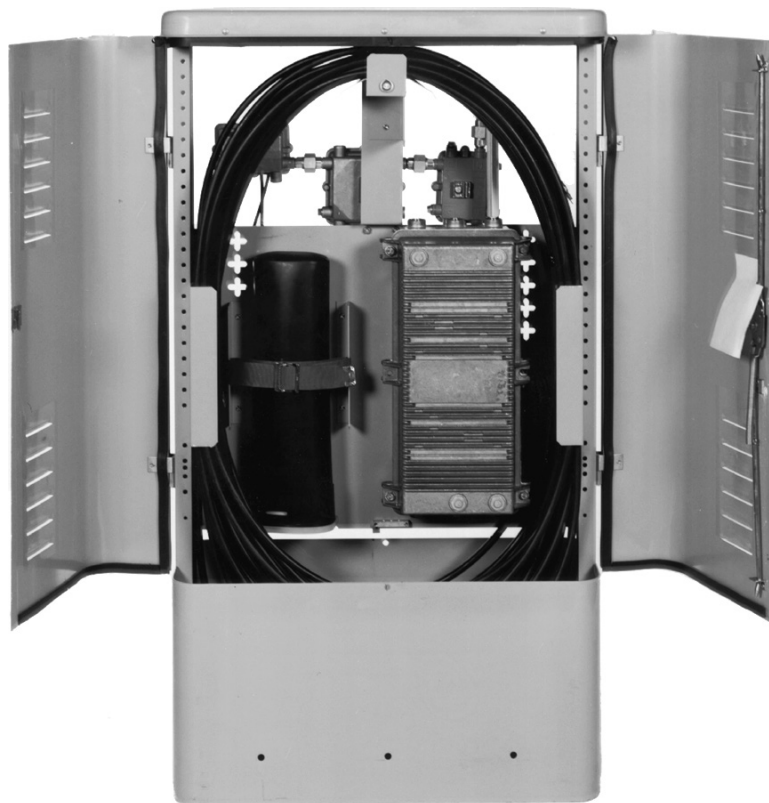
- Hinged removable front and rear doors and removable cap permit 360° access; allow efficient installation of distribution equipment.
- Accommodates fiber splice, amplifier, coiled cable, tap, splitter, and power inserter to eliminate multiple pedestal sites.
- Grooming/locking bracket provides organized installation and removal of cable.
- Mounting plate allows good housekeeping for installation and separation of fiber optic and coaxial equipment.
- Screened louvers dissipate heat; keep insects out.
- Mounts most fiber splice enclosures for installation flexibility.
- Closed-cell weather stripping lines all door edges for weatherproof protection.
- Our unique multistage gray-green finishing process meets or exceeds EPA standards, and provides a tough corrosion-resistant finish for longer life.

Description

The Vertiv™ NetSure™ OPFO Series, NetSure™ OPFOTV8 is an upright cabinet used for housing an optical node, fiber splice enclosure, and up to 150 feet of optical cable. Mounting accommodations are provided for converting optical and coaxial signals. The internal components consist of a mounting plate and cable arrangement brackets. All components are manufactured of heavy gauge mill-galvanized steel, treated with a multistage gray-green finishing process for longer life.

Application

The NetSure OPFOTV8 serves as an above-grade cabinet for fiber optic and coaxial distribution equipment. Mounting accommodations are provided for combining an optical node, fiber optic splice unit, amplifier, directional coupler, power inserter, tap, splitters, etc.

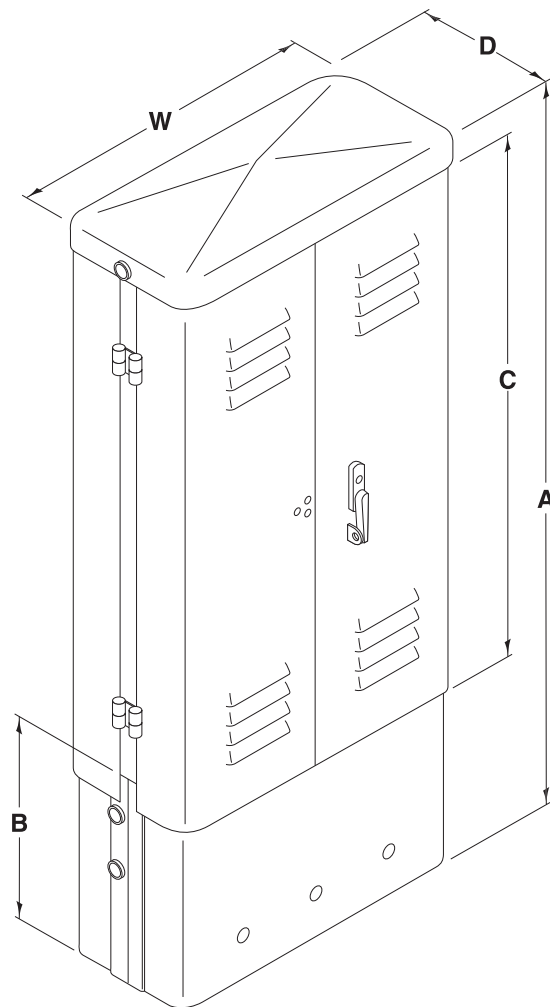


*Vertiv™ NetSure™ OPFOTV8
Shown with FiberSeal Splice Enclosure*

Dimensions and Ordering Information

Catalog Number	Part Number	A	B	C	D	W
OPFOTV8	F112497	49.5	14	33.25	12	28

NOTE: The Vertiv™ NetSure™ OPFOTV8 includes two 42-in. mounting stakes. An optional pad-mounting kit is available for pad-mount applications(catalog number PADMT200300).



Key Features

- Hinged removable front and rear doors and removable cap permit 360° access; allow efficient installation of distribution equipment.
- Accommodates fiber splice, amplifier, coiled cable, tap, splitter, and power inserter to eliminate multiple pedestal sites.
- Grooming/locking bracket provides organized installation and removal of cable.
- Universal mounting brackets provide horizontal or vertical mounting accommodations for the receiver node; permit good housekeeping for fiber optic and coaxial equipment.
- Screened louvers dissipate heat; keep insects out.
- Mounts most fiber splice enclosures for installation flexibility.
- Closed-cell weather stripping lines all door edges for weatherproof protection.

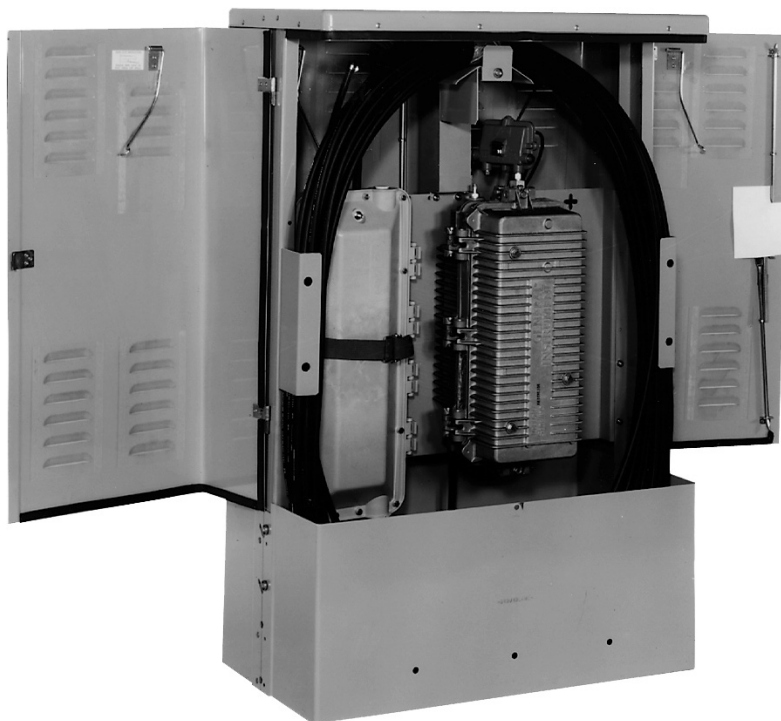
Description

The Vertiv™ NetSure™ OPFO Series OPFOTV11 is an upright cabinet used for housing an optical node, fiber splice enclosure, and up to 200 feet of optical cable. The NetSure™ OPFOTV11's universal mounting brackets allow for either horizontal or vertical orientation of the receiver node. The internal components consist of a mounting plate and arrangement brackets. All components are manufactured of heavy gauge mill-galvanized steel, treated with a multistage gray-green finishing process for longer life.

The Netsure OPFOTV11 is equipped with pad-mounting brackets, factory formed into the base for ease of installation.

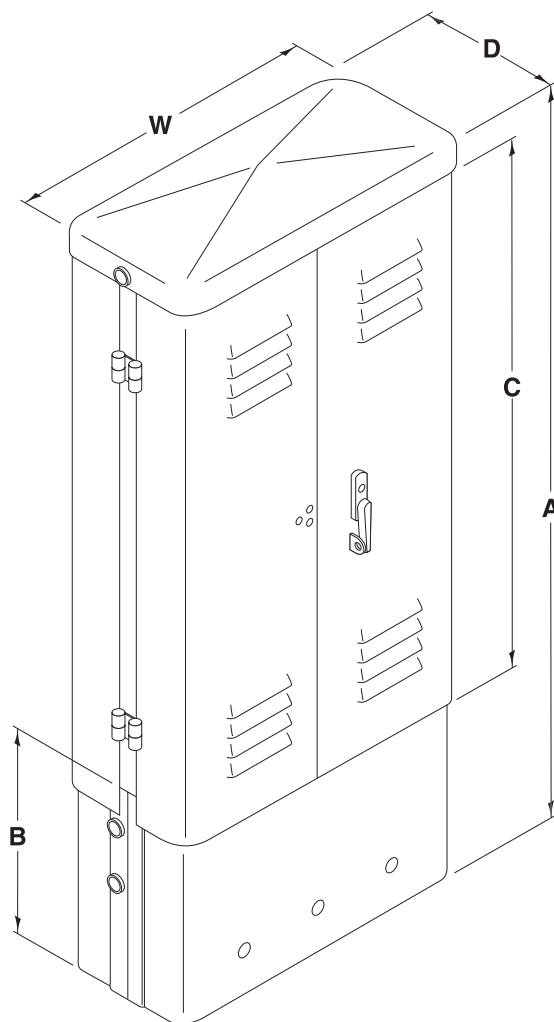
Application

The Netsure OPFOTV11 serves as an above-grade cabinet for fiber optic and coaxial distribution equipment. Mounting accommodations are provided for combining an optical node, fiber optic splice unit, amplifier, directional coupler, power inserter, tap, splitters, etc.



Dimensions and Ordering Information

Catalog Number	Part Number	A	B	C	D	W
OPFOTV11	F112474	49.5-in.	14-in.	35-in.	18-in.	32-in.



Key Features

- Lift-off dome permits 360° access to all wirework and equipment
- Self-locking cover provides security
- Accommodates most splice closures for installation and flexibility
- Seamless non-metallic cover provides integral flood protection
- Accepts excess cable storage and grooming
- Multi-position ground bracket provides positive bonding of all equipment
- Meets or exceeds industry requirements

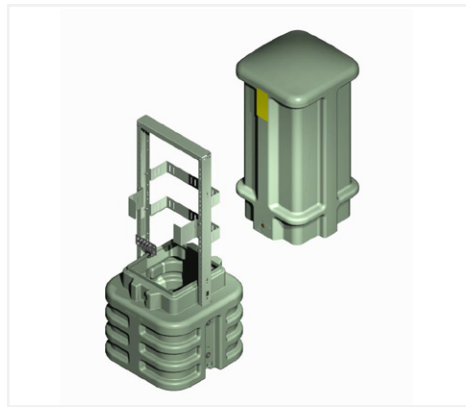
Vertiv™ NetSure™ OPFO Series non-metallic enclosures accommodate optical nodes, fiber or copper splice enclosures, distribution equipment and cable slack.

Description

Vertiv™ NetSure™ OPFOP14, Vertiv™ NetSure™ OPFOP1420 & Vertiv™ NetSure™ OPFOP1830 are direct buried above ground non-metallic pedestals with integral flood protection. Self-locking lift-off covers provide 360 access to internal equipment. Adjustable universal equipment/splice mounting brackets, cable storage guides, multi position bonding/grounding bar and mounting stakes are included.

Application

The NetSure™ OPFOP14, NetSure™ OPFOP1420 and NetSure™ OPFOP1830 are used for housing optical nodes, various distribution equipment, fiber or copper splice enclosures and cable slack storage. Fiber or copper splice capacity is limited by the size of splice enclosure used. The NetSure™ OPFOP pedestals provide cable slack storage, ease of equipment mounting and accessibility. Ideal for Telecom, Fiber, and Broadband applications.



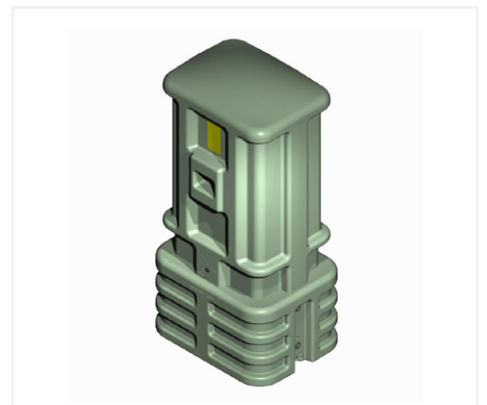
Vertiv™ NetSure™ OPFOP14 Open



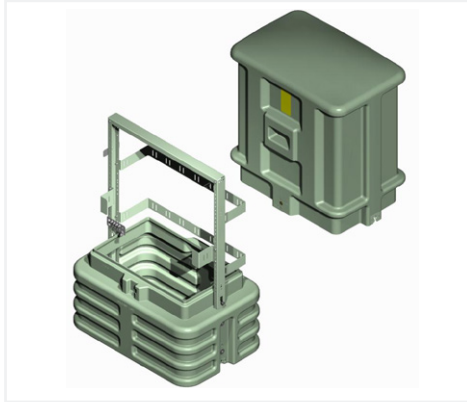
Vertiv™ NetSure™ OPFOP14 Closed



Vertiv™ NetSure™ OPFOP1420 Open



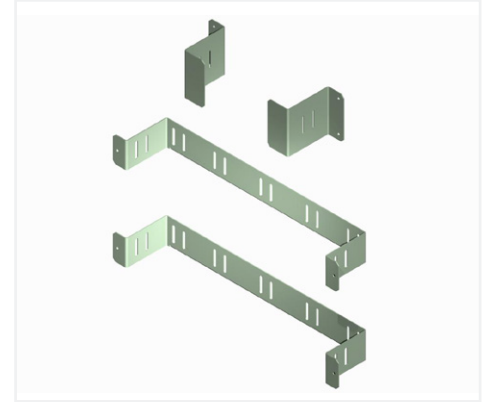
Vertiv™ NetSure™ OPFOP1420 Closed



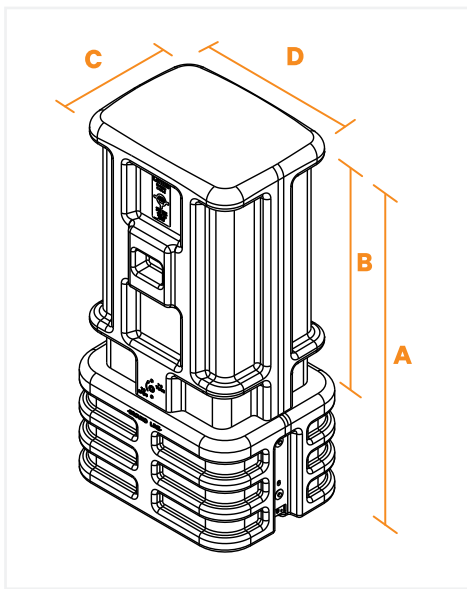
Vertiv™ NetSure™ OPFOP1830 Open



Vertiv™ NetSure™ OPFOP1830 Closed



Bracket Accessory Kits



Dimension View
OPFOP1420 Closed

Dimensions

Catalog Number	A	B	C	D
OPFOP14	51"	36"	17.7"	17.7"
OPFOP1420	51"	36"	17.7"	23.6"
OPFOP1830	51"	36"	21.8"	33.8"

Ordering Information

Catalog Number	Part Number	Description
OPFOP14	F1011026	OPFO Series, PRO14 pedestal
OPFOP1420	F1007747	OPFO Series, PRO1420 pedestal
OPFOP1830	F1007746	OPFO Series, PRO1830 pedestal

Accessories

Catalog Number	Part Number	Description
MS1332	F602132	32" MOUNTING STAKE
MS1342	F604080	42" MOUNTING STAKE
OPFOP14BKTKIT	F1011027	Bracket kit to convert existing Pro14 to OPFO style enclosure
OPFOP1420BKTKIT	F1011028	Bracket kit to convert existing Pro1420 to OPFO style enclosure
OPFOP1830BKTKIT	F1011029	Bracket kit to convert existing Pro1830 to OPFO style enclosure

Key Features

- Increased cabinet size for improved splicing and thermal management.
- Removable two-sided double doors permit easy interior access; wind latches provide stability during maintenance.
- Two 216-type tool locking latches provided per side with padlock hasps for added security.
- Screened louvered vents maximize heat dissipation and minimize contaminant ingress.
- Dual mounting stakes and stabilizer bars are included for stake mounting application, although pad mounting is recommended.
- Redesigned, free-breathing cap for maximum heat dissipation and improved structure.
- Optional AC Power Box Kit available for non-line power applications.

The Vertiv™ NetSure™ DSL Series feature a free-breathing ventilation design that maximizes heat dissipation.

Description

The NetSure™ DSL Series is designed to accommodate up to four environmentally hardened DSLAM modules and cable splicing. The NetSure™ DSL Series is over 50% larger in size (total volume) than the NetSure™ CoolPed Plus for improved thermal and cable splicing management.

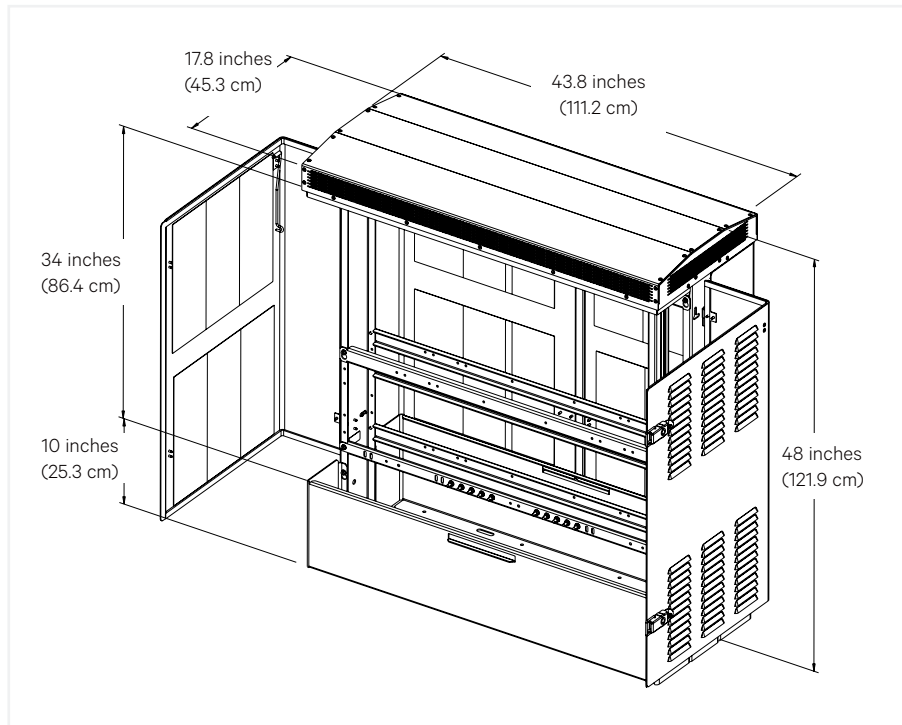
This well-vented enclosure safely houses up to four Adtran TA1100 series or Calix E3-48 DSLAM modules and requires use of the DSLAM supplier's mounting brackets/kits.

Application

The NetSure™ DSL CoolPed serve as vented above ground housing for environmentally hardened DSLAM modules and cable splicing.



*Vertiv™ NetSure™ DSL Series CoolPed Broadband Edge Enclosures
(DSLAM modules shown are not included. AC Box Kit sold separately.)*



Vertiv™ NetSure™ DSL Series CoolPed 3.0

Ordering Information

Catalog Number	Part Number	Description
CPED1844	F1010449	Vertiv™ NetSure™ DSL Series CoolPed 3.0 hardened DSLAM enclosure

Accessories

Catalog Number	Part Number	Description
ACPOWKIT	F1007112	AC power box kit

Contact DSLAM manufacturer for corresponding mounting kits.

Key Features

- Rugged metal housing made of mill-galvanized steel for durability and low maintenance costs
- Our unique multi-stage paint process meets or exceeds EPA standards, and provides a tough corrosion resistant finish for longer life
- Double-access hinged doors offer easy access to all conductors
- Removable base cover provides simplified installation
- Adjustable splice bars permit flexibility in dressing of conductors and splices
- Close-cell neoprene door gasketing provides weatherproof protection for internal components
- Positive action locking mechanism with padlock provision ensures security from unauthorized entry
- Built-in pad-mounting capability in the base allows installation flexibility for multiple applications
- Meets or exceeds RUS requirements

Description

The UPC1850 is a round-cornered rectangular-design copper/fiber splice or equipment enclosure for high pair-count splices, cross-connect interface, fiber/coaxial equipment, loop treatment electronics, and combined connection applications. This unit includes adjustable splice bars, two bonding and grounding bars, and pad-mounting hardware. Brackets for pad mounting are built into the front and the rear bases. Although pad mounting is recommended, stake-mounting holes are also provided.

Application

The NetSure™ UPC1850 serves as above-ground housing for large PIC cable splices, load coils, loop treatment devices, cross-connects, and combined connection applications. The NetSure™ UPC1850 closure can also be used to house most fiber splice enclosures. By removing the metal splice bars, ample space for fiber slack storage is available.



Dimensions

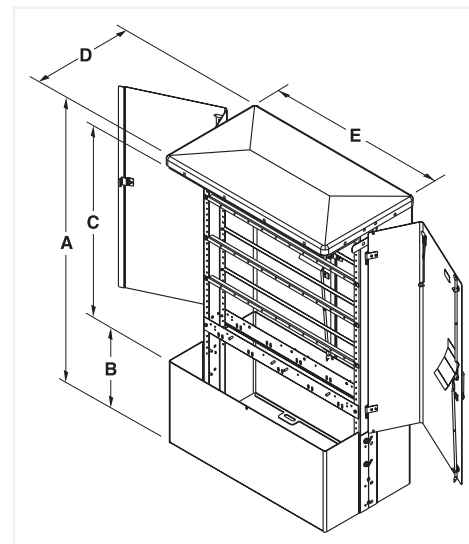
Catalog Number	A	B	C	D	W
UPC1850	50-in.	14-in.	34-in.	18-in.	32-in.

* Thirty-five mounting locations on the vertical columns are spaced 1-in. apart, for use with 1/4-14" x 1/2" long self-threading hardware. The distance between the left and right column hole centers is 29.90-in.

Ordering Information

Catalog Number	Part Number	Description	Spliced Pairs
UPC1850	F604056	Gray-green splice enclosure	7200 pair

NOTE: Total number of pairs spliced is dependent on the connector and local practices.



Vertiv™ NetSure™ UPC1850

Accessories

Catalog Number	Part Number	Description
MS1342	F604080	42-in. mounting stake

** Use when pad mounting is not desirable.



Vertiv™ NetSure™ UPC1850
(front and rear doors open)

Key Features

- Rugged metal housing made of mill-galvanized steel for durability and low maintenance costs.
- Our unique multi-stage paint process meets or exceeds EPA standards, and provides a tough corrosion resistant finish for longer life.
- Double-access hinged/lift-off doors offer easy access.
- Removable base cover provides simplified installation.
- Adjustable PVC-coated splice bars permit flexibility in dressing of conductors and splices.
- Close-cell neoprene door gasketing provides weatherproof protection for internal components.
- Positive action locking mechanism with padlock provisions ensures security from unauthorized entry.
- Pad- or stake-mount capability allows installation flexibility for multiple applications.

Description

Vertiv™ NetSure™ UPC1000, Vertiv™ NetSure™ UPC1248, and Vertiv™ NetSure™ UPC1278 are round-cornered rectangular-design telephone splice or equipment enclosures. Included in this series are adjustable PVC-coated splice bars, bonding and grounding bracket, and stakes.

Application

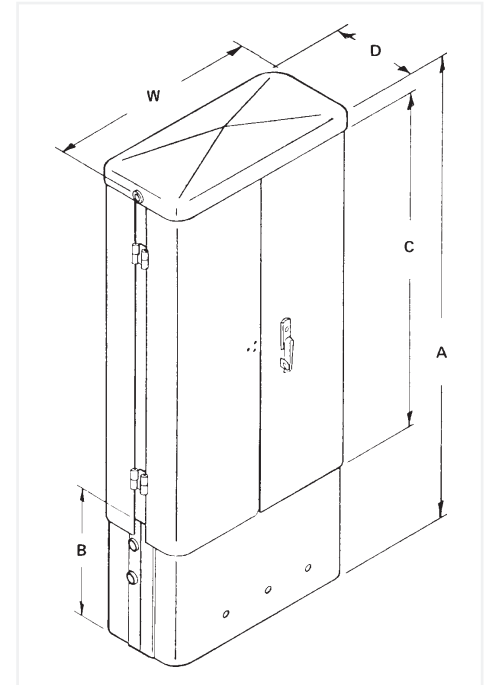
The NetSure™ UPC1000, NetSure™ UPC1248, and NetSure™ UPC1278 serve as above-ground housings for large PIC cable splices, load coils, and other loop treatment devices.



Vertiv™ NetSure™ UPC1248

Dimensions

Catalog Number	A	B	C	D	W
UPC1000	48-in.	14-in.	33-1/8-in.	11-3/8-in.	16-1/2-in.
UPC1248	48-in.	14-in.	33-1/8-in.	11-3/8-in.	23-3/4-in.
UPC1278	60-in.	14-in.	45-in.	11-3/8-in.	23-3/4-in.



Ordering Information

Catalog Number	Part Number	Description	Splice
UPC1000	F604340	Gray-green splice enclosure	1800 pair
UPC1248	F604050	Gray-green splice enclosure	2400 pair
UPC1278	F604410	Gray-green splice enclosure	2700 pair

NOTE: Total number of pairs spliced is dependent on the connector and local practices.

Accessories

Catalog Number	Part Number	Description
PADMT200300	F605650	Pad-mounting bracket for UPC1248, UPC1252S, and UPC1278

Key Features

- Rugged metal housing made of mill-galvanized steel for durability and low maintenance costs.
- Our unique multi-stage paint process meets or exceeds EPA standards, and provides a tough corrosion resistant finish for longer life.
- Double-access lift-off covers offer 360° access to all internal components.
- Bonding/grounding bar provides positive grounding of all components.
- Adjustable PVC-coated splice bars permit flexibility in dressing cable conductors and splices.
- Close-cell neoprene door gasketing provides weatherproof protection for internal components.
- Removable base cover permits easy cable placement.
- Pad- or stake-mount capability allows installation flexibility for multiple applications.

Description

Vertiv™ NetSure™ UPC1000LOC (LOC refers to Lift-Off Covers) and Vertiv™ NetSure™ UPC1248LOC are round-cornered rectangular-design telephone splice or equipment enclosures with lift-off covers, housing up to 1800- or 2400-pair. Internal components include four adjustable PVC-coated splice bars, grounding bar, connector and two mounting stakes.

Application

The NetSure™ UPC1000LOC and NetSure™ UPC1248LOC enclosures serve as above-ground housings for large PIC or filled cable splices, load coils, and other loop treatment devices. They may also be used to house subscriber carrier units when equipped with accessory brackets.



Vertiv™ NetSure™ UPC1248LOC

Dimensions

Catalog Number	A	B	C	D	W
UPC1000LOC	48 -in.	14 -in.	33 -in.	11-3/8 -in.	16-1/2 -in.
UPC1248LOC	48 -in.	14 -in.	33 -in.	11-3/8 -in.	23-3/4 -in.

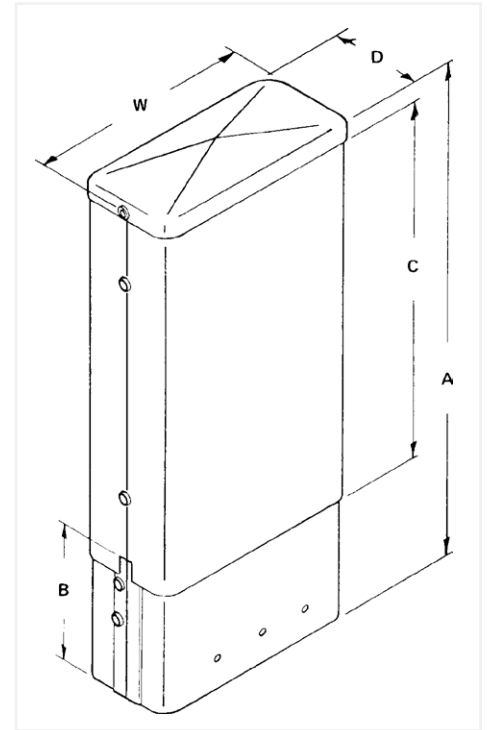
Ordering Information

Catalog Number	Part Number	Description	Splice
UPC1000LOC	F604342	Gray-green UPC1000 with lift-off covers	1800 pair
UPC1248LOC	F604052	ray-green UPC1248 with lift-off covers	2400 pair

NOTE: Total number of pairs spliced are dependent on the connector and local practices.

Accessories

Catalog Number	Part Number	Description
PADMT200300	F605650	Pad-mounting bracket for UPC1248LOC



KEY FEATURES

- Lift-off back and front covers offer 360° easy access to internal components.
- Adjustable splice bars permit flexibility in dressing cable conductor splices.
- Two-way bonding/grounding bracket provides positive grounding of all components.
- Rugged metal housing made of mill-galvanized steel for durability and low maintenance costs.
- Our unique multi-stage paint process meets or exceeds EPA standards, and provides a tough corrosion-resistant finish for longer life.

Description

The Vertiv™ NetSure™ UP1652 is a round-cornered square-design telephone equipment splice enclosure. The NetSure™ UP1652 (16"W x 52"H) enclosure includes two splice support bars and a bonding and grounding bracket assembly. Two mounting stakes are also included.

Application

The NetSure UP1652 enclosure serves as an above-ground housing for splices and splice cases, up to 13 inches in diameter and 30 inches in height. The NetSure UP1652 also accommodates T1 trunk carrier repeater cases and 2-type splice case.



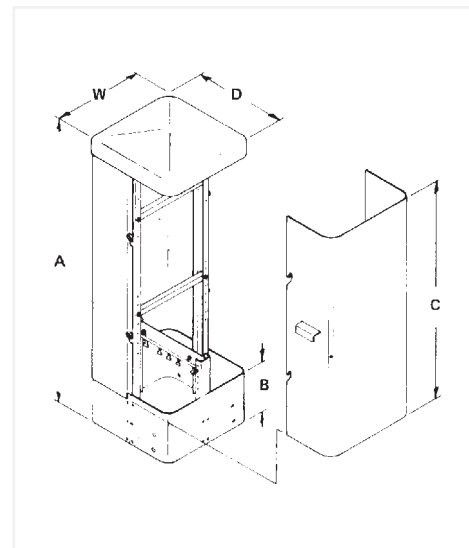
Specifications

Catalog Number	Splice Using Any Connector	Splice Case/Lead Sleeve Capacity	
		Diameter	Height
UP1652	1500 pair	13 in.	30 in.

NOTE: Total number of pairs spliced is dependent on the connector and local practices.

Dimensions

Catalog Number	A	B	C	D	W
UP1652	52-1/4-in.	10-in.	42-in.	16-1/4 -in.	16-1/4 -in.



Ordering Information

Catalog Number	Part Number	Description
UP1652	F602940	16-in. gray-green pedestal

NOTE: Total number of pairs spliced is dependent on the connector and local practices.

Accessories

Catalog Number	Part Number	Description
MS1342	F604080	Mounting stakes

Key Features

- Lift-off front covers provide 180° access to facilitate the enclosure installation.
- Removable lower front cover and service wire channel allow additional cable and wire placement without disturbing existing plant.
- Swing-out locking divider plate provides positive grounding of all components.
- Large capacity permits greater access to cable conductors.
- May be self-supporting, stake, joint, pole or wall-mounted for flexible installation capabilities.

Control access design closures for buried cable plants.

Description

Vertiv™ NetSure™ CAD12 (Controlled Access Design) is a round-cornered square-design telephone distribution, splice, or cross-connect pedestal. The NetSure™ CAD12 has 360° access for easy installation of larger pair counts.

The NetSure CAD12 provides a fixed-count terminal point for terminating aerial and buried plant. Included in the NetSure CAD12 is a universal mounting plate with attached service wire bonding bracket, grounding connector, flexible bonding braid, dielectric shield, and mounting stakes.

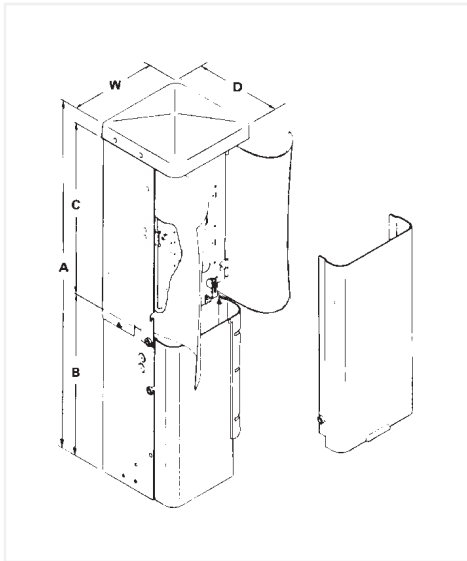
Application

NetSure CAD12 enclosures are universal above-ground housings for distribution, splicing, or cross-connecting buried cable plant. The NetSure CAD12 provides either fixed-count or preferred-count terminations of aerial, buried, block, and station wires. It can also house limited cross-connect fields for rural interface applications.

Also, the NetSure CAD12 houses above-ground straight and branch splices in cables and splice cases. It provides a splicing location between buried and lateral runs to aerial cable facilities.



Vertiv™ NetSure™ CAD12



Dimensions

Catalog Number	A	B	C	D	W
CAD12	50-5/16-in.	23-5/8 -in.	25-15/16-in.	12-7/8-in.	12-7/8-in.

Specifications

Catalog Number	Spliced Pairs Using Any Connector	Cross-Connect Capacity	
		Feeder	Distribution
CAD12	1500	25 pair	25 pair

NOTE: Total number of pairs spliced is dependent on connector use and local practices.

Ordering Information

Catalog Number	Part Number	Description
CAD12	F604530	12-in. gray-green pedestal with divider plate

Key Features

- Rugged metal housing made of mill-galvanized steel for durability and low maintenance costs.
- Our unique multi-stage paint process meets or exceeds EPA standards, and provides a tough corrosion-resistant finish for longer life.
- Three convenient sizes; large capacity allows easy access to cable conductors.
- Swing-out locking divider plate provides positive grounding of all components.
- NetSure CAD enclosures can be self-supporting, stake, joint, pole- or wall-mounted for flexible installation capabilities.
- Removable lower front cover and service wire channel allow additional cable and wire placement without disturbing existing plant.

Distribution pedestals for buried cable plants.

Description

Vertiv™ NetSure™ CAD (Controlled Access Design) enclosures are round-cornered square-design fixed-count distribution pedestals. The NetSure™ CAD series enclosures are available in three convenient sizes: CAD4 (4-in. W), CAD6 (6-in. W), and CAD8 (8-in. W). Included in the NetSure CAD series enclosure are a hinged divider plate with universal hole pattern (except CAD4) bonding bracket, grounding connector, flexible bonding braid, and a dielectric shield. Stakes are not included and may be ordered separately.

Application

The NetSure CAD enclosures serve as universal above-ground housings for buried cable plant using either fixed-count or preferred-count design. The NetSure CAD enclosures also allow aerial terminations through available knockouts.



Vertiv™ NetSure™ CAD8

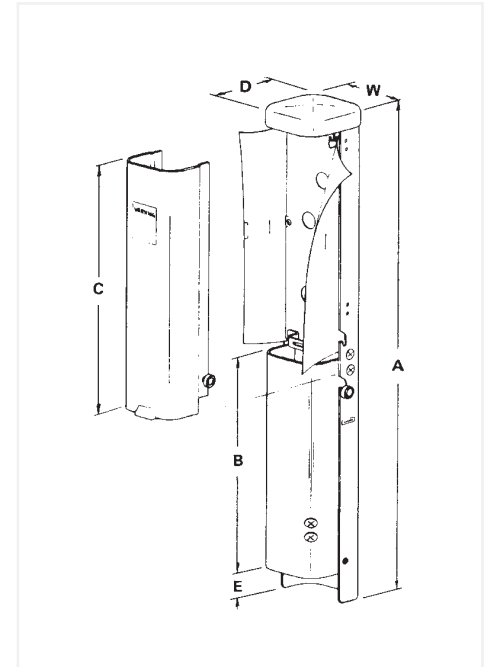
Dimensions

Catalog Number	A	B	C	D	W	E
CAD4	49-1/2-in.	20-9/16-in.	26-in.	4-7/8-in.	4-7/8-in.	3-in.
CAD6	50-in.	20-9/16-in.	26-in.	6-5/8-in.	6-5/8-in.	3-in.
CAD8	50-5/16-in.	20-9/16-in.	26-in.	8-1/4-in.	8-1/4-in.	3-in.

Ordering Information

Catalog Number	Part Number	Description	Spliced Pairs
CAD4	F604500	4-in. gray-green pedestal	150 pair
CAD6	F604510	6-in. gray-green pedestal	400 pair
CAD8	F604520	8-in. gray-green pedestal	900 pair

NOTE: Total number of pairs spliced is dependent on connector use and local practices.



Key Features

- Round-cornered square-design housing provides large capacity; maximum work area to install and maintain NetSure™ CATV distribution equipment.
- Padlock hasp and factory provided knockouts provide maximum security and flexibility.
- Removable upper cover for efficient equipment installation.
- Units may be self-supporting or stake mounted for installation versatility.
- Provisions in backplate for accessory mounting brackets allow easy internal mounting of distribution equipment.
- Our unique multistage gray-green finishing process meets or exceeds EPA standards, and provides a tough corrosion-resistant finish for longer life.

Description

The Vertiv™ NetSure™ TV Series classic CATV pedestals are round-cornered square-design housings that provide maximum capacity and work area to install and maintain Vertiv™ NetSure™ CATV distribution equipment. Pedestals are manufacture of heavy gauge mill-galvanized steel, treated with a unique finishing process for longer life. The housing components are: backplate/lower front cover assembly and upper front cover/cap assembly with hand pocket. The Vertiv™ NetSure™ TV60LPSB version includes an offset bracket and 19-in. stake for mounting distribution taps. Ridges in the pedestal ensure pedestal strength and stability.

The Vertiv™ NetSure™ TV40 and Vertiv™ NetSure™ TV60LP series classic pedestals are self-supporting or may be stake mounted for additional stability. Provisions in the backplate accommodate accessory brackets to mount distribution equipment. Factory provided knockouts and padlock hasp offer several security options.

Application

The NetSure™ TV60LP and NetSure™ TV60LPSB serve as above-ground pedestals that house and protect taps or couplers and/or splitters.



Vertiv™ NetSure™ TV60LP

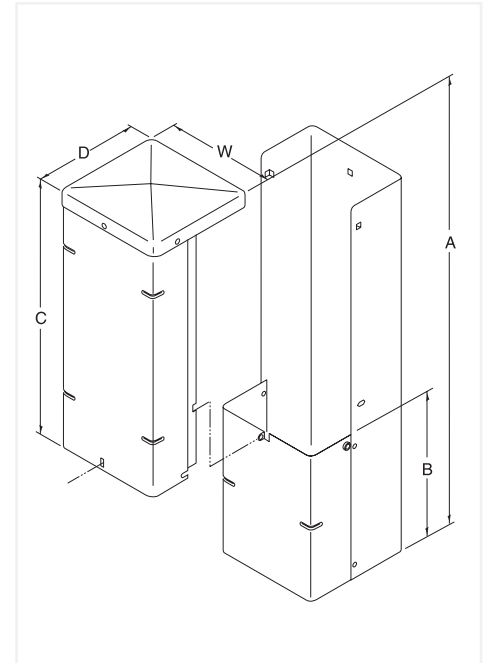
Dimensions and Ordering Information

Catalog Number	Part Number	A	B	C	D	W
TV40	F605810	18-1/4-in.	8-in.	10-in.	4-3/4-in.	4-3/4-in.
TV60LP	F605820	21-in.	8-in.	11-1/2-in.	6-1/2-in.	6-1/2-in.
TV60LPSB*	F605824	21-in.	8-in.	11-1/2-in.	6-1/2-in.	6-1/2-in.

* Vertiv™ NetSure™ TV60LPSB is equipped with a single 19-in. mounting stake, OS (offset) tap mounting bracket and mounting hardware.

Accessories

Catalog Number	Part Number	Description
Stakes:		
MS1324	F603272	24-in. mounting stake with 3/8-in. mounting hardware
MS1332	F602132	32-in. mounting stake with 3/8-in. mounting hardware
MS1342	F604080	42-in. mounting stake with 3/8-in. mounting hardware
Mountain Brackets:		
L	F601980	3-in. L bracket with 1/4-in. mounting hardware
OS	F606793	Offset bracket with 1/4-in. mounting hardware



Key Features

- Round-cornered square-design housing provides large capacity; maximum work area to install and maintain CATV distribution equipment.
- Padlock hasp and factory provided knockouts provide maximum security and flexibility.
- Removable upper cover for efficient equipment installation.
- Units may be self-supporting or stake mounted for installation versatility.
- Provisions in backplate for accessory mounting brackets allow easy internal mounting of distribution equipment.
- Our unique multistage gray-green finishing process meets or exceeds EPA standards, and provides a tough corrosion-resistant finish for longer life.

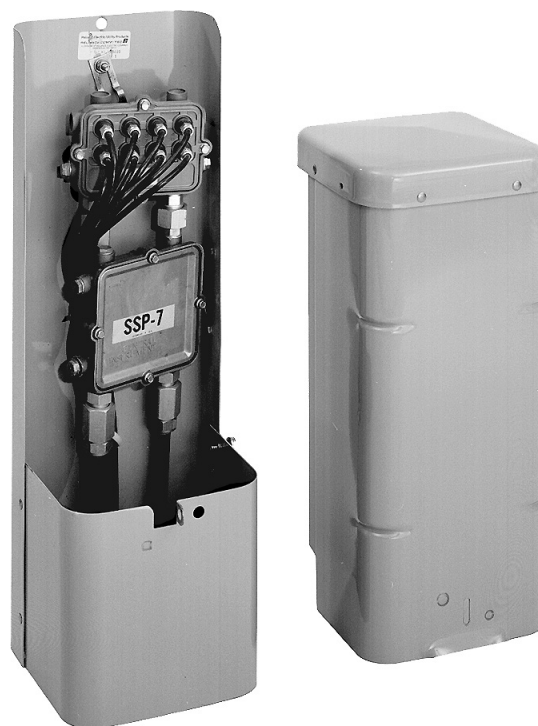
Description

The Vertiv™ NetSure™ TV Series, TV80 and TV80SB Classic CATV pedestals are round-cornered square-design above-ground housings that provide maximum capacity and work area to install and maintain CATV distribution equipment. Pedestals are manufactured of heavy gauge mill-galvanized steel, treated with a unique finishing process for longer life. The housing components are: backplate/lower front cover assembly, upper front cover/cap assembly with hand pocket, and internal mounting hardware and brackets. When equipped with an SA80 BRACKET, the NetSure™ TV80 pedestal will house an SA 4-port interdiction unit. The NetSure™ TV80SB version has a tap mounting bracket and 19-in. mounting stake. Ridges in the pedestal ensure pedestal strength and stability.

The NetSure TV80 and NetSure TV80SB are self-supporting or may be stake mounted for additional stability. Factory provided knockouts and padlock hasp offer several security options.

Application

NetSure TV80 enclosures serve as above-ground pedestal housings for taps, couplers, and/or splitters.



Vertiv™ NetSure™ TV80SB

Dimensions and Ordering Information

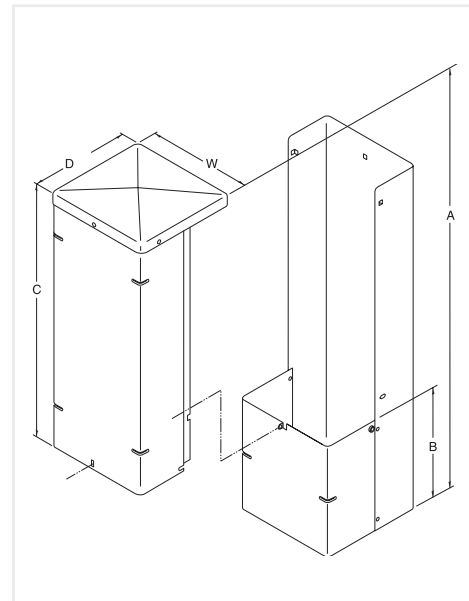
Catalog Number	Part Number	A	B	C	D	W
TV80	F605830	25-in.	8-in.	16-1/2-in.	8-1/8-in.	8-1/8-in.
TV80SB*	F605828	25-in.	8-in.	16-1/2-in.	8-1/8-in.	8-1/8-in.

* Vertiv™ NetSure™ TV80SB is equipped with an offset bracket and 19-in. stake for mounting distribution taps.

NOTE: All locks, optional mounting stakes, and brackets must be ordered separately and will be shipped separately.

Accessories

Catalog Number	Part Number	Description
Stakes:		
MS1324	F603272	24-in. mounting stake with 3/8-in. mounting hardware
MS1332	F602132	32-in. mounting stake with 3/8-in. mounting hardware
MS1342	F604080	42-in. mounting stake with 3/8-in. mounting hardware
Mountain Brackets:		
L	F601980	3-in. L bracket with 1/4-in. mounting hardware
OS	F606793	Offset bracket with 1/4-in. mounting hardware



Key Features

- Lift-off cover provides 360° access to equipment for easy installation and maintenance.
- Square designs easily accommodate electronic equipment for efficient electronics installation.
- Flow-through louvers eliminate condensation and heat buildup for increased operating efficiency.
- A preassembled mounting stake and bracket reduce installation time.
- Multiple locking options are available.
- 8-in. pedestal base provides increased installation stability.
- Our unique multistage gray-green finishing process meets or exceeds EPA standards, and provides a tough corrosion-resistant finish for longer life.

Description

The Vertiv™ NetSure™ TV Series line of metal CATV pedestals provides complete access to internally mounted distribution electronics for ease of installation and maintenance.

Available in four sizes to accommodate various distribution requirements, the Access 360° pedestals offer multiple locking options including Star Lock, Slam Lock, and Inner-Tite. They are equipped with preassembled stakes and brackets for a user friendly, ready-to-install system.

The 8x8, 10x10, and 12x12 Access 360° pedestals contain flow-through louvers for maximum heat dissipation. The 6x7 unit does not have louvers as it houses only non-heat generating passive equipment, such as taps. Pedestals are manufactured of heavy gauge mill-galvanized steel, treated with a unique finishing process for longer life.

Application

Access 360° pedestals are ideal for tap, coupler, splitter and line extender installations.



Vertiv™ NetSure™ TV36088M

Vertiv™ NetSure™ TV3601212M

Dimensions and Ordering Information

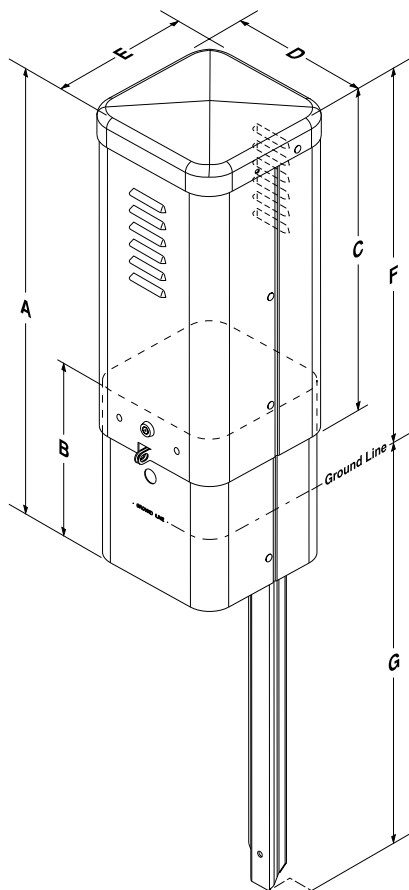
Pedestal Size	Application			Dimensions						
	Multi-Tap All Vendors	Tap/Splitter All Vendors	Tap/Splitter & Line Ext.	A	B	C	D	E	F	G
TV36088M	√	√		25-in.	8-in.	17.5-in.	8-in.	8-in.	21-in.	26-in.
TV3601010M	√	√	√*	28-in.	8-in.	21-in.	10-in.	10-in.	24-in.	26-in.
TV3601212M	√	√	√*	32-in.	8-in.	24-in.	12-in.	12-in.	28-in.	26-in.

* This unit is designed to house two devices such as most line extenders with tap.

NOTE: All models are shipped complete and assembled with stakes, brackets, and provisions for padlock.

Ordering Information

Catalog Number	Part Number	Description
TV36088MNT	F605805	Access 360°, 8-in., T-bracket
TV3601010MNR	F605806	Access 360°, 10-in., mounting rod
TV3601212MNT	F1005465	Access 360°, 12-in., T-bracket
TV3601212MNR	F605721	Access 360°, 12-in., mounting rod



Mounting Rod



T-Bracket

Key Features

- Round-cornered rectangular-design housing provides large capacity; maximum work area to install and maintain CATV distribution equipment.
- Louvers with Mylar screen in upper front cover and backplate provide optimum ventilation for internal equipment.
- Padlock hasp and factory provided knockouts provide maximum security and flexibility; knockouts permit installation other locks.
- Removable upper cover for efficient equipment installation.
- Units may be self-supporting or stake mounted for installation versatility.
- Provisions in backplate for accessory mounting brackets allow easy internal mounting of distribution equipment.
- 32-in. mounting stake with AS bracket or SM plate NetSure™ (TV104SB and NetSure™ TV104SSM versions) offer a complete installation package.
- Our unique multistage gray-green finishing process meets or exceeds EPA standards, and provides a tough corrosion-resistant finish for longer life.

Description

The Vertiv™ NetSure™ TV104 and Vertiv™ NetSure™ TV106 series classic CATV pedestals are round-cornered rectangular-design above-ground housings that provide maximum capacity and work area to install and maintain combinations of CATV distribution equipment. Pedestals are manufactured of heavy gauge mill-galvanized steel, treated with a unique finishing process for longer life. The housing components are: backplate/lower front cover assembly, upper front cover/cap assembly with hand pocket, and internal mounting hardware and brackets. All versions have louvers with a Mylar screen for maximum ventilation of internal equipment. Provisions in the backplate accommodate accessory brackets to mount distribution equipment. Factory provided knockouts and padlock hasp offer several security options.

The Vertiv™ NetSure™ TV104SB has a 32-in. mounting stake and AS bracket. The Vertiv™ NetSure™ TV104SSM has a 32-in. mounting stake and SM plate. The NetSure™ TV106 is factory equipped with two 32-in. mounting stakes.

Application

The NetSure™ TV104 and NetSure TV106 series enclosures serve as above-ground pedestal housings for combinations of CATV distribution equipment, including taps, couplers, splitters, line extenders, amplifiers and interdiction devices.



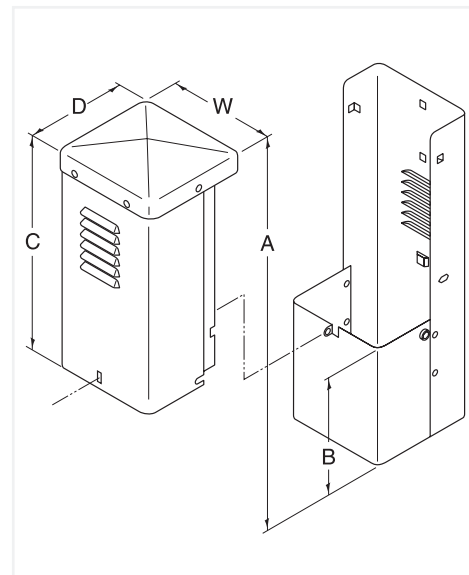
Dimensions and Ordering Information

Catalog Number	Part Number	A	B	C	D	W
TV104	F605840	36-3/4-in.	8-in.	28-in.	10-1/2-in.	10-1/2-in.
TV104SB*	F605827	36-3/4-in.	8-in.	28-in.	10-1/2-in.	10-1/2-in.
TV104SSM**	F605848	36-3/4-in.	8-in.	28-in.	10-1/2-in.	10-1/2-in.
TV106***	F602910	38-3/4-in.	8-in.	30-in.	10-3/4-in.	10-3/4-in.

* TV104SB is equipped with a 32-in. stake and AS bracket.

** TV104SSM is equipped with a 32-in. stake and SM plate.

*** TV106 is equipped with two 32-in. mounting stakes.

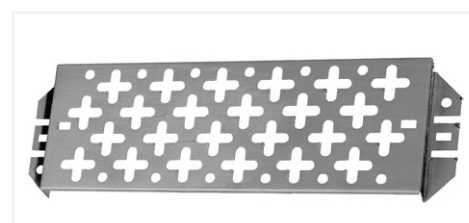


Accessories

Catalog Number	Part Number	Description
Stakes:		
MS1324	F603272	24-in. mounting stake with 3/8-in. mounting hardware
MS1332	F602132	32-in. mounting stake with 3/8-in. mounting hardware
MS1342	F604080	42-in. mounting stake with 3/8-in. mounting hardware
Mountain Brackets:		
L	F601980	3-in. L bracket with 1/4-in. mounting hardware
OS	F606793	Offset bracket with 1/4-in. mounting hardware



AS Bracket F603230



SM Plate F603240

Key Features

- Round-cornered rectangular-design housing provides large capacity; maximum work area to install and maintain CATV distribution equipment.
- Louvers with Mylar screen in upper front cover and backplate provide optimum ventilation for internal equipment.
- 1-3/4 inch knockouts in backplate permit efficient installation of subscriber drops.
- Padlock hasp and factory provided security knockouts provide maximum security and flexibility (security knockouts permit installation of Inner-Tite or Star Lock).
- Removable upper cover for efficient equipment installation; NetSure™ TV710 may be self-supporting, stake mounted, or wall mounted.
- Factory installed equipment plate for easy internal mounting of distribution equipment.
- Our unique multistage gray-green finishing process meets or exceeds EPA standards, and provides a tough corrosion-resistant finish for longer life.

Description

The Vertiv™ NetSure™ TV Series classic CATV pedestals are round-cornered rectangular-design above-ground housings that provide maximum capacity and work area to install CATV distribution equipment for multiple applications. Pedestals are manufactured of heavy gauge mill-galvanized steel, treated with a unique finishing process for longer life. The housing components are: backplate/cap/lower front cover assembly, upper front cover assembly, and internal mounting hardware and brackets. All versions have louvers with a Mylar screen for maximum ventilation of internal equipment.

The Vertiv™ NetSure™ TV710 has a factory installed accessory mounting bracket for internal mounting. Factory provided 1-3/4 inch knockouts accommodate subscriber drops. Additional knockouts and a padlock hasp offer several security options.

Application

The NetSure™ TV710 is an above-ground pedestal housing used for wall-mounting multiple applications of CATV distribution equipment, including taps, splitters, couplers, and line extenders.



Dimensions and Ordering Information

Catalog Number	Part Number	A	B	C	D	W
TV710*	F603250	37-in.	8-in.	26-in.	7-in.	10-1/2-in.

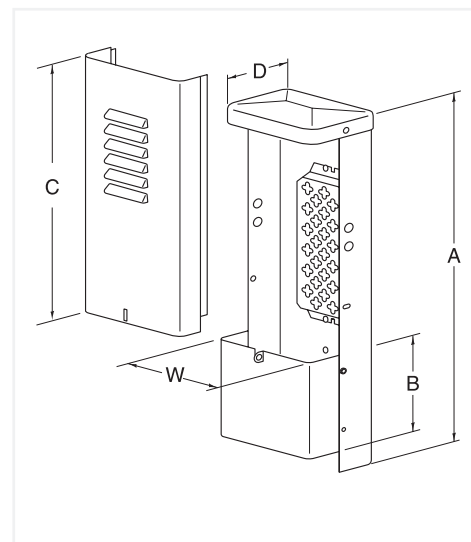
* Equipped with a factory installed small plate.

NOTE: All locks, optional mounting stakes, and brackets must be ordered separately and will be shipped separately.

Accessories

Catalog Number	Part Number	Description
Stakes:		
MS1324	F603272	24-in. mounting stake
MS1332	F602132	32-in. mounting stake
MS1342	F604080	42-in. mounting stake

NOTE: For factory assembled lock option, call customer service at 800-800-1280.



Key Features

- Round-cornered rectangular-design housing provides large capacity; maximum work area to install and maintain CATV distribution equipment.
- Self-locking stainless-steel latches on front and back with provision for padlocks prevent unauthorized entry for added security.
- Hinged swing-open removable front and rear doors with removable top cap provide 360° accessibility.
- Two cross-slot mounting plates provide internal mounting versatility.
- Our unique multistage gray-green finishing process meets or exceeds EPA standards, and provides a tough corrosion-resistant finish for longer life.

Description

The Vertiv™ NetSure™ TV Series enclosures are round-cornered rectangular-design above-ground housings that provide maximum capacity and work area to install and maintain CATV distribution equipment. Enclosures are manufactured of heavy gauge mill-galvanized steel, treated with a unique finishing process for longer life. The housing components are: cap, front and back hinged doors with locks, base, and base/column assembly. Internal components include two cross-slot mounting plates. Two 32-in. mounting stakes are also provided with the Vertiv™ NetSure™ TV1016 and Vertiv™ NetSure™ TV1024.

Louvers on the doors provide cross-ventilation to cool internal equipment. Self-locking stainless-steel latches (accessed using a 216-type tool) on the front and back have padlock hasps to offer several security options.

Application

The NetSure™ TV1016 and NetSure™ TV1024 serve as above-ground housings for amplifiers and other CATV equipment. The units also mount splitters, taps, couplers, and line extenders.



Vertiv™ NetSure™ TV1016

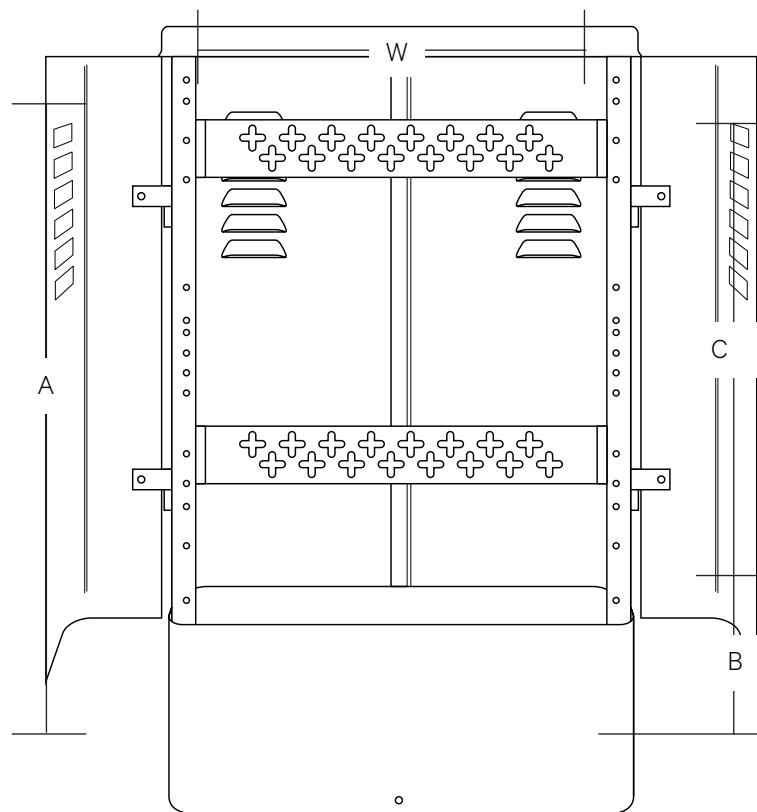


Vertiv™ NetSure™ TV1024

Dimensions and Ordering Information

Catalog Number	Part Number	A	B	C	D	W
TV1016	F602945	37-in.	10-in.	25-in.	10-3/4-in.	16-1/4-in.
TV1024	F602955	37-in.	10-in.	25-in.	10-3/4-in.	23-1/4-in.

NOTE: Units are equipped with two 32-in. mounting stakes and factory installed mounting brackets.



Key Features

- Round-cornered rectangular-design housing provides large capacity; maximum work area to install and maintain CATV distribution equipment.
- Louvers with Mylar screen provide superior cross-ventilation.
- Hinged swing-open removable front and rear doors with removable top cap provide 360° accessibility.
- Positive locking secures the doors at the top and bottom with provisions for padlocks to prevent unauthorized entry and provide added security.
- Closed-cell weather stripping lines all door edges for weatherproof protection.
- Two cross-slot mounting plates provide internal mounting versatility.
- Our unique multistage gray-green finishing process meets or exceeds EPA standards, and provides a tough corrosion-resistant finish for longer life.

Description

The Vertiv™ NetSure™ TV Series Enclosures are round-cornered rectangular-design above-ground housings that provide maximum capacity and work area to install and maintain CATV distribution equipment. Enclosures are manufactured of heavy gauge mill-galvanized steel, treated with a unique finishing process for longer life. The housing components are: cap, front and back hinged doors, base, and base/column assembly. Internal components include two cross-slot mounting plates. Two mounting . mounting stakes are also supplied.

Louvers on the doors provide cross-ventilation to cool internal equipment. Self-locking stainless-steel latches on the front and back have padlock hasps to offer several security options.

Application

The Vertiv™ NetSure™ TV1600, Vertiv™ NetSure™ TV2400 and Vertiv™ NetSure™ TV2500 serve as above-ground housings for distribution, line support, and power CATV equipment, including amplifiers, line extenders, couplers, splitters, and taps.



Vertiv™ NetSure™ TV1600

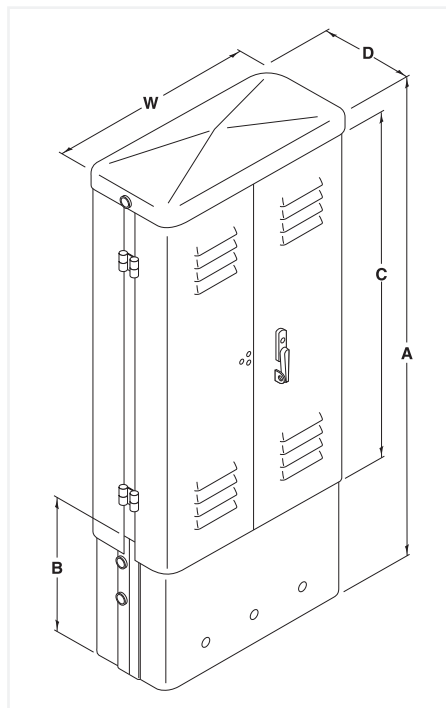
Dimensions and Ordering Information

Catalog Number	Part Number	A	B	C	D	W
TV1600	F604690	47-1/2-in.	14-in.	32-in.	10-3/4-in.	16-1/4-in.
TV2400	F604550	47-1/2-in.	14-in.	32-in.	10-3/4-in.	23-3/4-in.
TV2500	F604552	49-1/2-in.	14-in.	33-1/4-in.	12-in.	28-in.

NOTE: All units are equipped with factory-installed mounting brackets, two mounting stakes, and hardware.



Vertiv™ NetSure™ TV2400



Vertiv™ NetSure™ TV2500



Vertiv.com | Vertiv Headquarters, 505 N Cleveland Ave, Westerville, OH 43082, USA

© 2023 Vertiv Group Corp. All rights reserved. Vertiv™ and the Vertiv logo are trademarks or registered trademarks of Vertiv Group Corp. All other names and logos referred to are trade names, trademarks or registered trademarks of their respective owners. While every precaution has been taken to ensure accuracy and completeness here, Vertiv Group Corp. assumes no responsibility, and disclaims all liability, for damages resulting from use of this information or for any errors or omissions. Specifications, rebates and other promotional offers are subject to change at Vertiv's sole discretion upon notice.