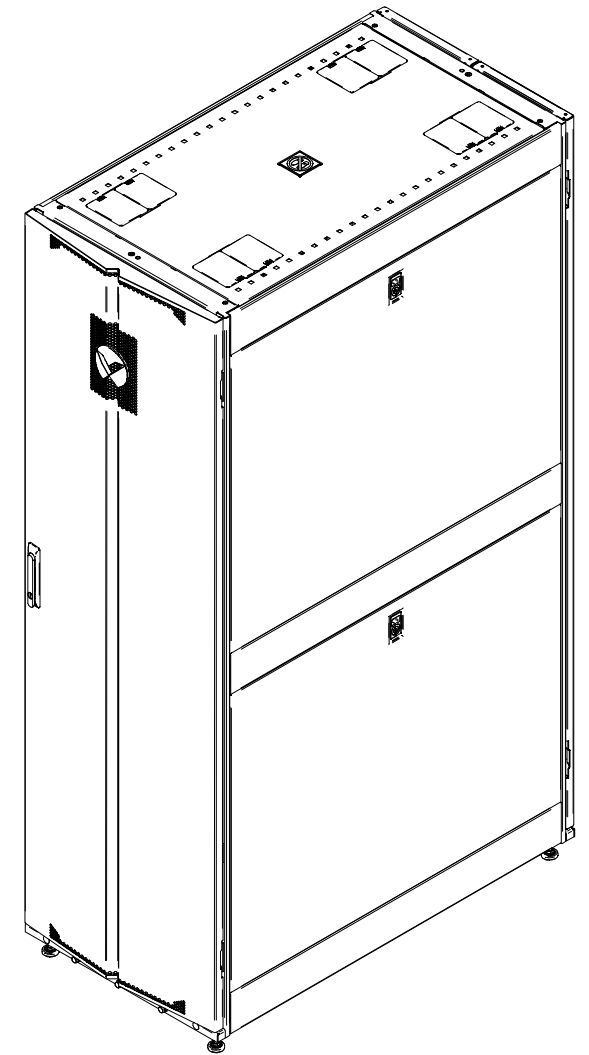
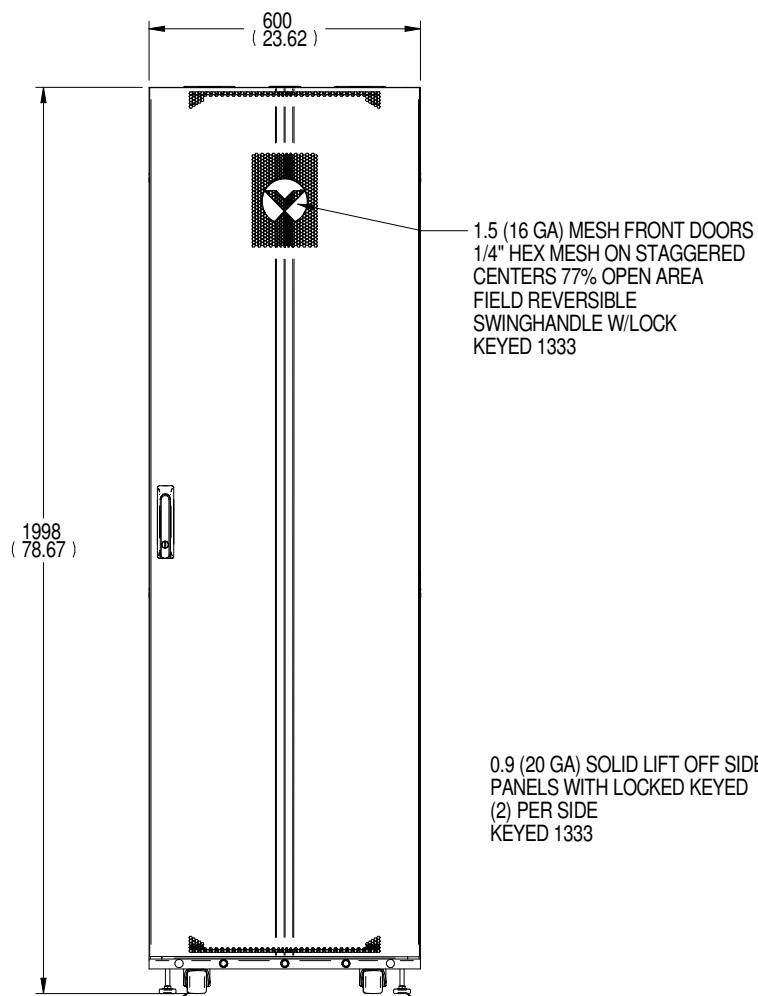


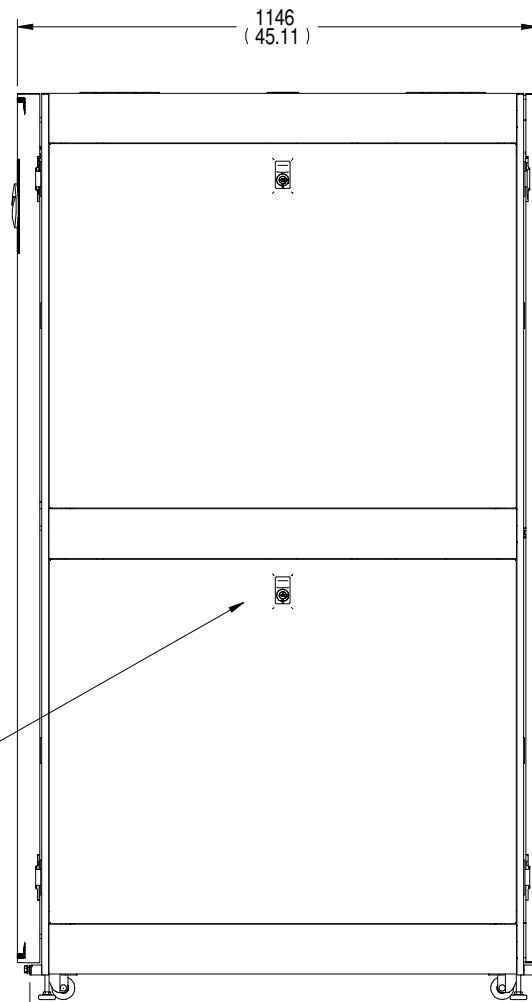
TOP VIEW



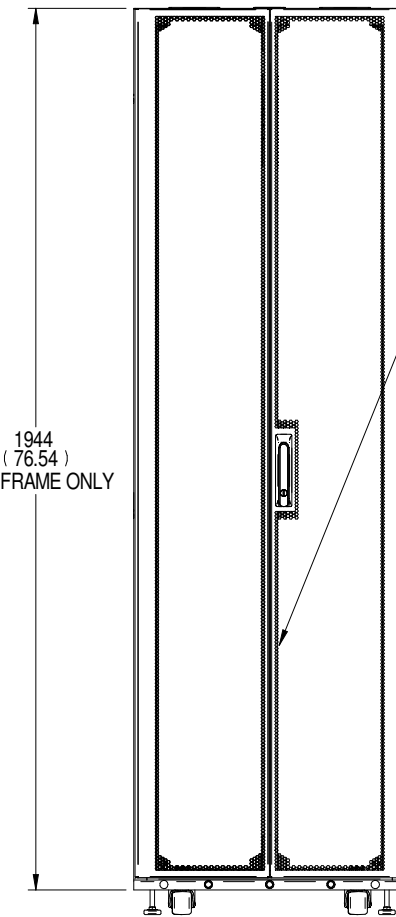
FRONT ISOMETRIC VIEW



FRONT VIEW



RIGHT SIDE VIEW



REAR VIEW

1.2 (18 GA) SPLIT MESH REAR DOORS  
1/4" HEX MESH ON STAGGERED  
CENTERS 77% OPEN AREA  
FIELD REVERSIBLE  
SWINGHANDLE W/LOCK  
KEYED 1333

VR3100 OPTIONAL MODEL DESCRIPTION BY SUFFIX	
RACK MODEL	DESCRIPTION
VR3100-001	NO FRONT DOOR, NO REAR DOOR, NO RIGHT SIDE PANELS, NO LEFT SIDE PANELS
VR3100-002	NO FRONT DOOR, NO REAR DOOR
VR3100-003	NO FRONT DOOR
VR3100-004	NO REAR DOOR
VR3100-005	NO RIGHT SIDE PANELS
VR3100-006	NO LEFT SIDE PANELS
VR3100-007	NO RIGHT SIDE PANELS, NO LEFT SIDE PANELS
VR3100-013	NO FRONT DOOR, NO REAR DOOR, NO SIDE PANELS, NO ROOF

- NOTES:
1. ALL DIMENSIONS ARE MM (INCH), TOLERANCES ±2.5 (±0.1)
  2. UNIT WEIGHT: 126.7 KG (279.5 LBS)
  3. STATIC WEIGHT CAPACITY: 1361 KG (3000 LBS)
  4. DYNAMIC WEIGHT CAPACITY: 1021 KG (2250 LBS.)
  5. PACKAGE OF M6 SCREWS, CAGE NUTS INCLUDED.

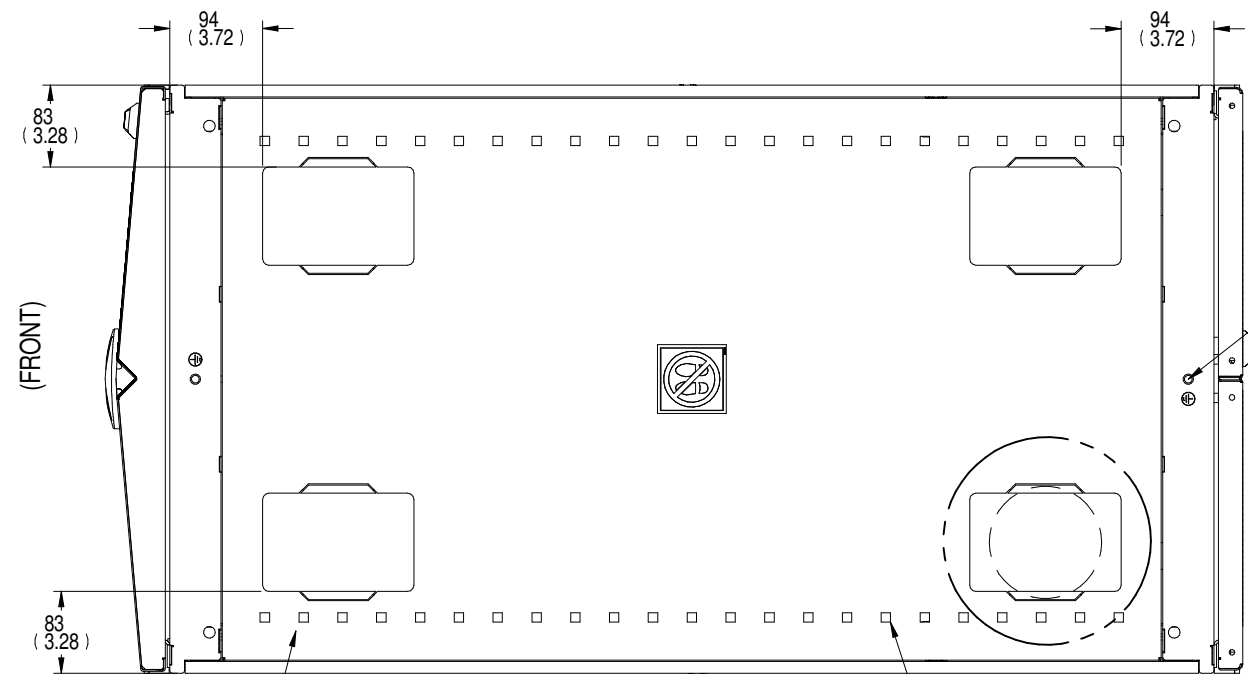
DRAWN BY: TED BEAVER	SHEET NUMBER: 1 OF 3
CHECKED BY: BRAD REINBOLT	EON NUMBER: N/A
REFERENCE DRAWING: N/A	QUOTE NUMBER: N/A

TITLE / DESCRIPTION  
VERTIV VR RACK  
42U X 600mm W x 1100mm D

VR3100

DRAWING NUMBER: VR3100-SUBTL	DATE: 04/15/21	REV#: 2	1050 DEARBORN DRIVE P.O. BOX 29186 COLUMBUS, OHIO 43229
---------------------------------	-------------------	------------	---





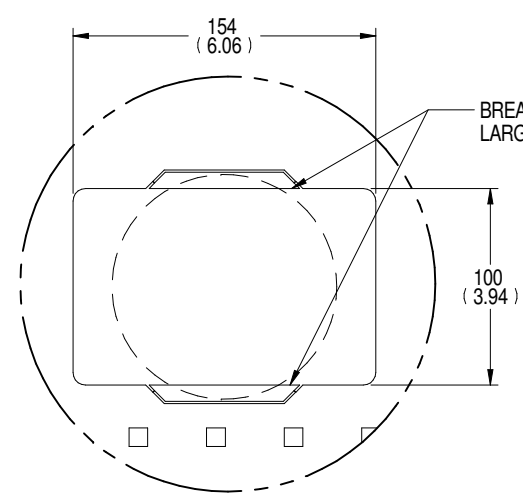
1.2 (18 GA) TOP PANEL

**TOP VIEW  
CABLE OPENINGS**

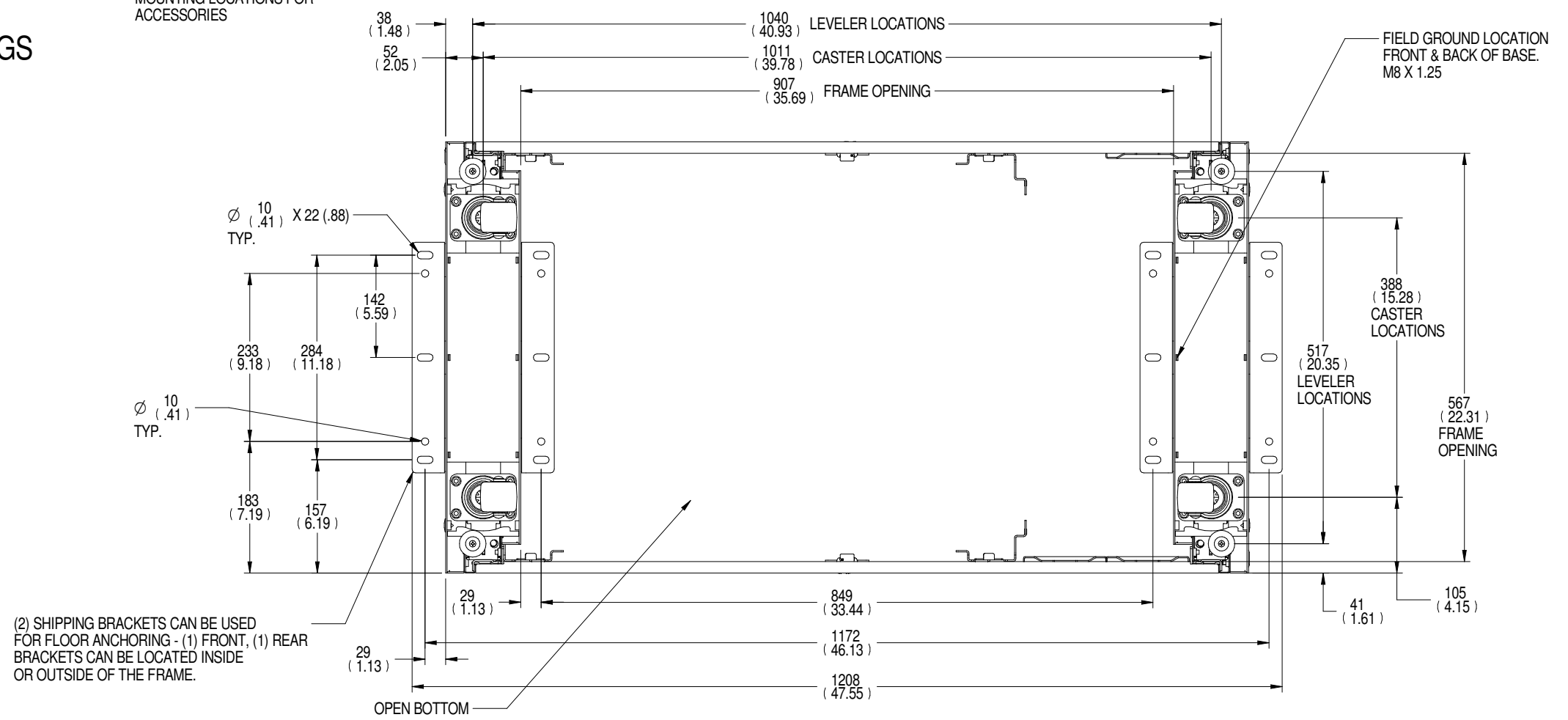
3/8" SQUARE INDEPENDENT MOUNTING LOCATIONS FOR ACCESSORIES

FIELD GROUND LOCATION FRONT & BACK OF TOP. M8 X 1.25

**E**



**DETAIL E  
TYPICAL (4) PLACES  
EDGE GUARD SUPPLIED WITH RACK.**

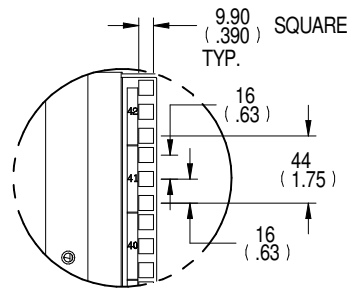


(2) SHIPPING BRACKETS CAN BE USED FOR FLOOR ANCHORING - (1) FRONT, (1) REAR BRACKETS CAN BE LOCATED INSIDE OR OUTSIDE OF THE FRAME.

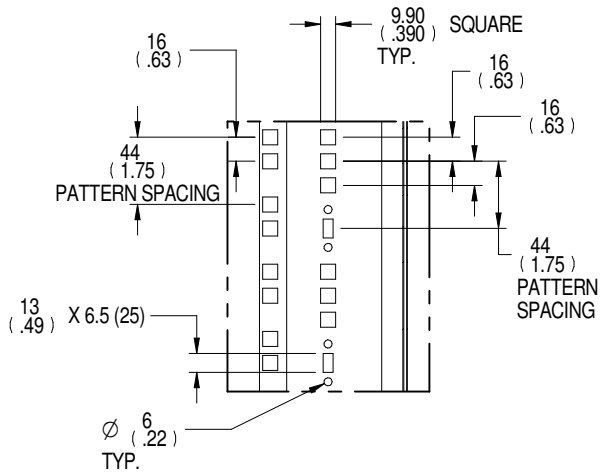
OPEN BOTTOM

**BOTTOM VIEW  
(TOP PANEL & DOORS HIDDEN)**

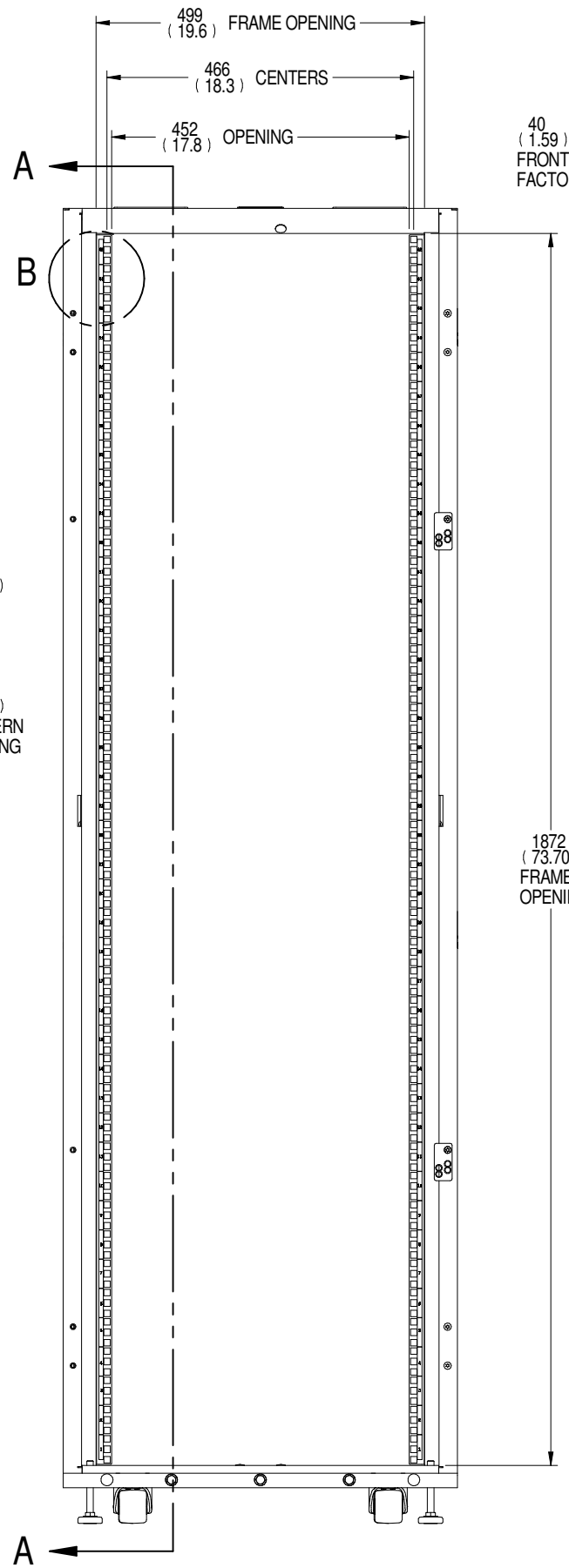
DRAWN BY: TED BEAVER	SHEET NUMBER: 2 OF 3	TITLE / DESCRIPTION <b>VERTIV VR RACK</b> 42U X 600mm W x 1100mm D	<b>VR3100</b>		
CHECKED BY: BRAD REINBOLT	ECN NUMBER: N/A				
REFERENCE DRAWING: N/A	QUOTE NUMBER: N/A		DRAWING NUMBER: VR3100-SUBTL	DATE: 04/15/21	



**DETAIL B  
RMU DETAIL**

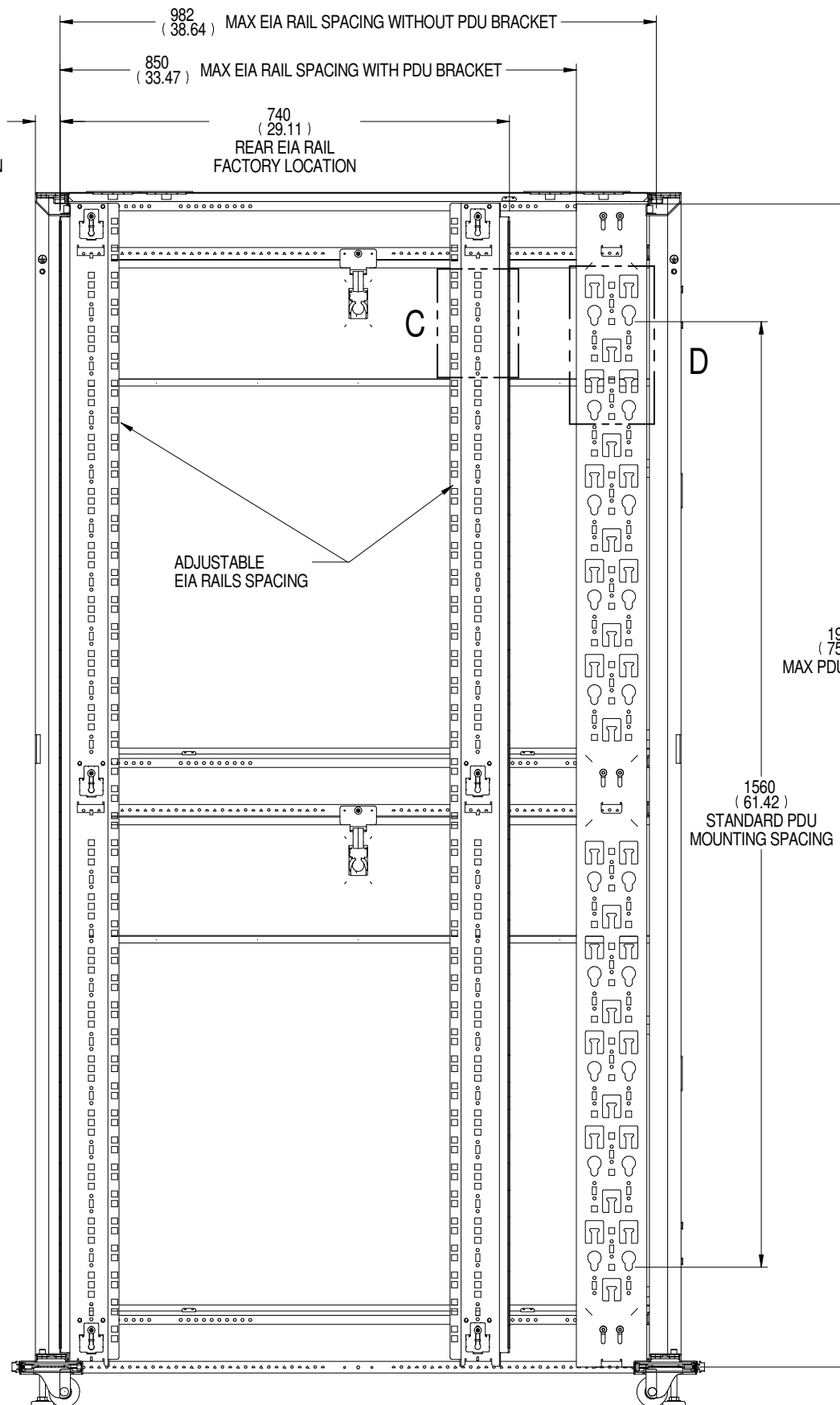


**DETAIL C  
OPTIONAL ACCESSORY  
LOCATIONS**

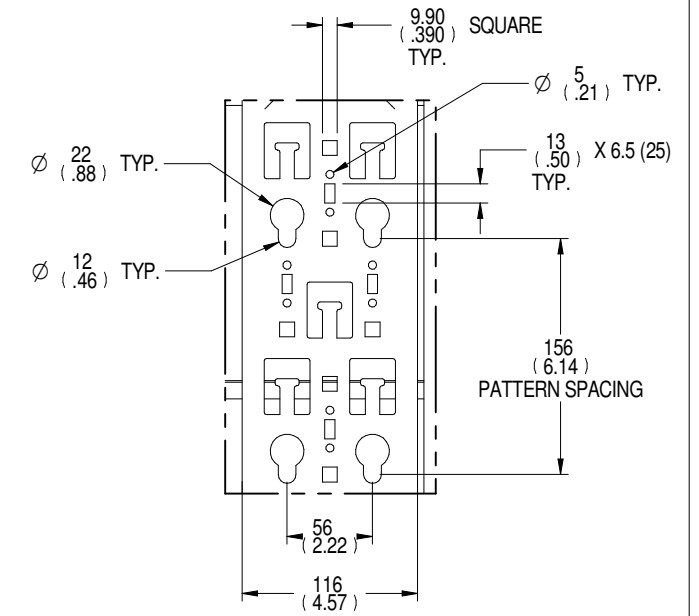


**FRONT VIEW  
(DOORS HIDDEN)**

40  
(1.59)  
FRONT EIA RAIL  
FACTORY LOCATION



**SECTION A-A**



**DETAIL D  
PDU BRACKET  
DETAIL**

DRAWN BY: TED BEAVER	SHEET NUMBER: 3 OF 3
CHECKED BY: BRAD REINBOLT	ECN NUMBER: N/A
REFERENCE DRAWING: N/A	QUOTE NUMBER: N/A

TITLE / DESCRIPTION  
**VERTIV VR RACK**  
42U X 600mm W x 1100mm D

**VR3100**

DRAWING NUMBER: VR3100-SUBTL	DATE: 04/15/21	REV#: 2	1050 DEARBORN DRIVE P.O. BOX 29186 COLUMBUS, OHIO 43229
---------------------------------	-------------------	------------	---

