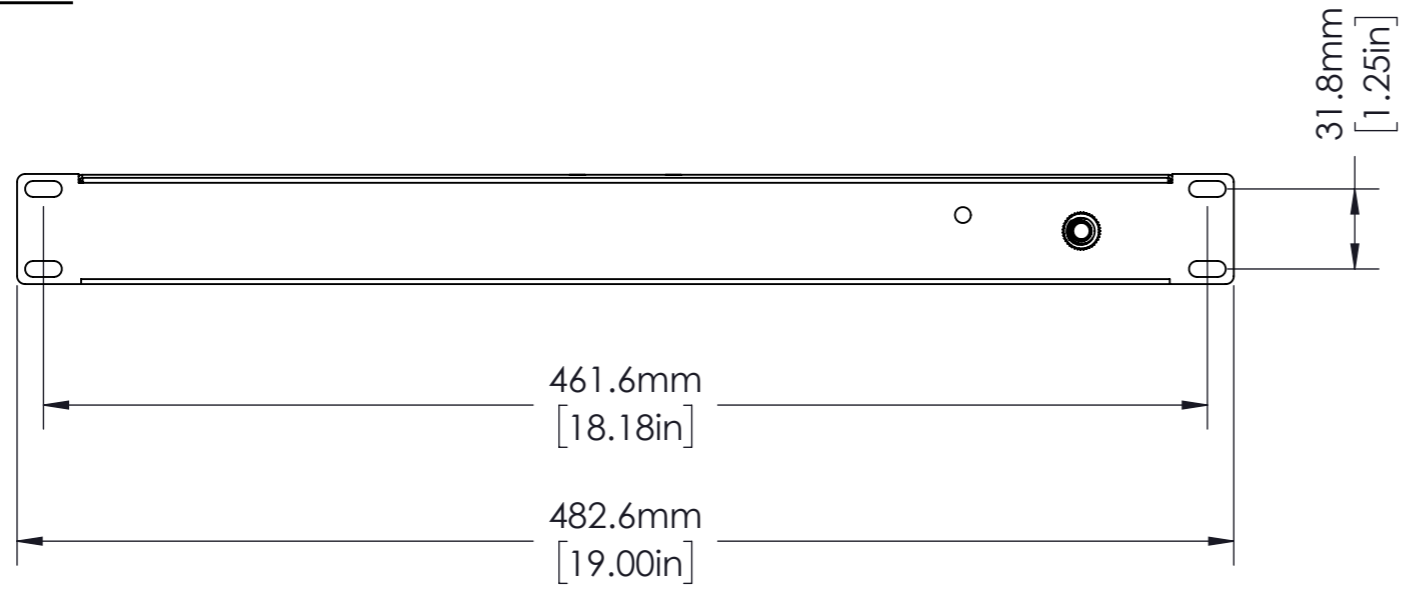


Disclosure and photocopying of this document, exploitation and communication of its contents are not permitted, unless permission is expressly granted. All rights are reserved.

Weitergabe sowie Vervielfältigung dieser Unterlage, Verwertung und Mitteilung ihres Inhalts nicht gestattet, soweit nicht ausdrücklich zugestanden. Alle Rechte vorbehalten.

### FRONT VIEW



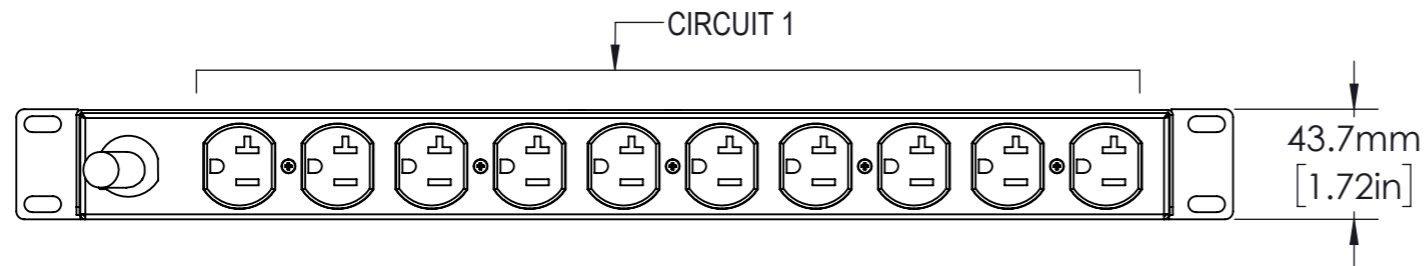
### OUTPUT POWER

CIRCUIT	PHASE	RECEPTACLE TYPE (QUANTITY)	VOLTAGE (V)	MAX. CONTINUOUS AMPS (A)	
				PER RECEPTACLE	PER CIRCUIT
1	L1	10xNEMA 5-20R	100-120	16	16

### INPUT POWER

INPUT CORD	INPUT PLUG	WIRE COUNT	FREQUENCY (Hz)	VOLTAGE (V)	RATED AMPS (A)	MAX. CONT. AMPS (A)
10 FT	NEMA 5-20P	1/N/PE	50/60 Hz	100-120	20	16

### REAR VIEW



### AGENCY COMPLIANCE:

UL & c-UL Listed 60950  
RoHS Compliant

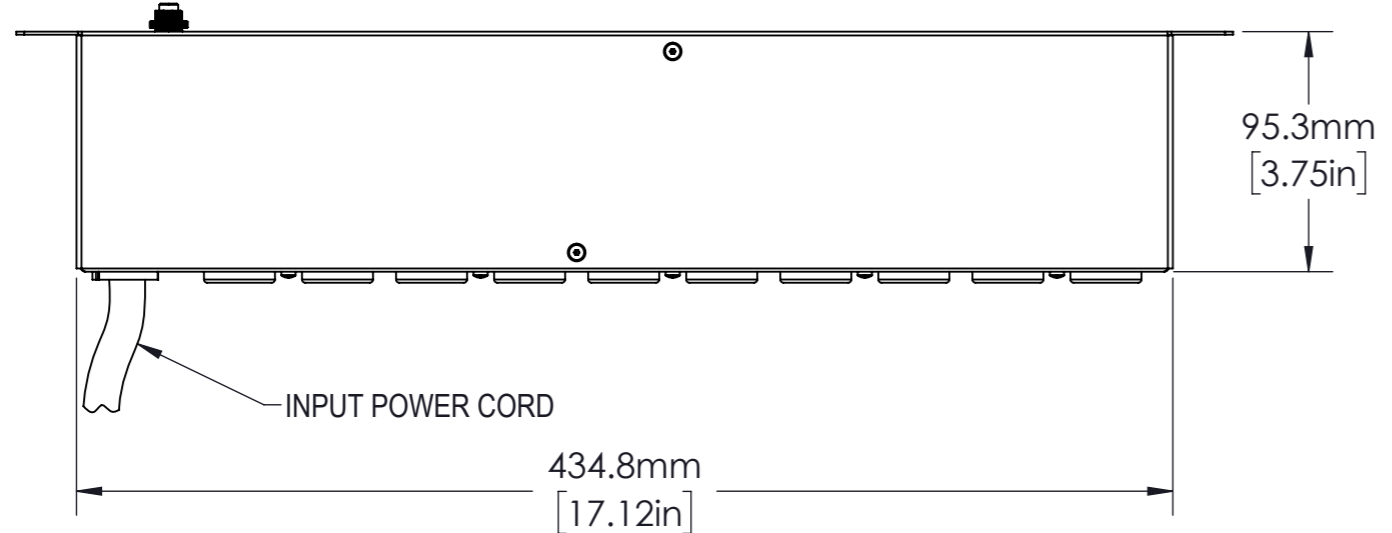
### ENVIRONMENTAL RATING:

Continuous Operating Temperature Range: 10-45C / 50-113F

### NOTES

UNIT DIMENSIONS: 1.72in x 17in x 3.75in / 44mm x 432mm x 95mm  
 SHIPPED WEIGHT: 6lbs (2.72kg)  
 SHIPPING DIMENSIONS: 23in x 14in x 3in / 566mm x 337mm x 58mm  
 Flush Mount Brackets

### UPPER VIEW



		Allgemeintoleranzen General tolerances		Oberfläche Finish		Werkstoff / Material		Gewicht: Weight: -	
		-		-		-		-	
Rev.		Change		Date		Name		Bezeichnung / Description	
				14/06/18		SW		Basic, Horizontal, 20A, 120V, (10)5-20R	
				-		-			
				-		-			
								Zeichnungs-Nr. / Drawing no.	
								<b>VP9563</b>	
								Maßstab Scale <b>1:3</b>	
								Verwendet in / Used in	
								-	
								Blatt/Sheet <b>1/1</b>	

