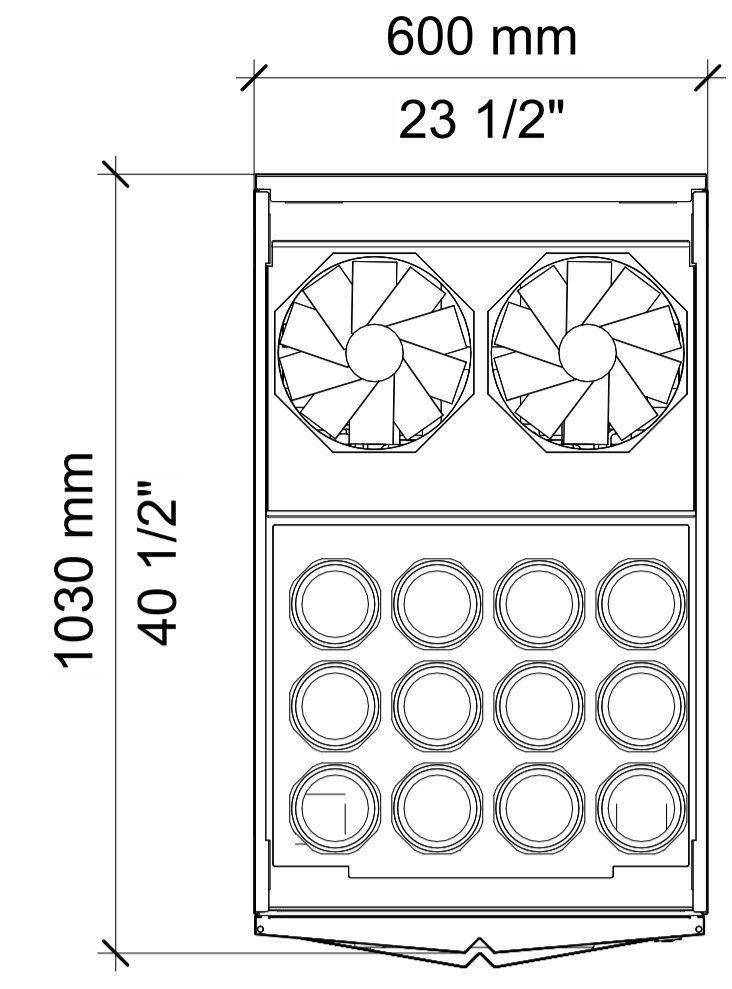
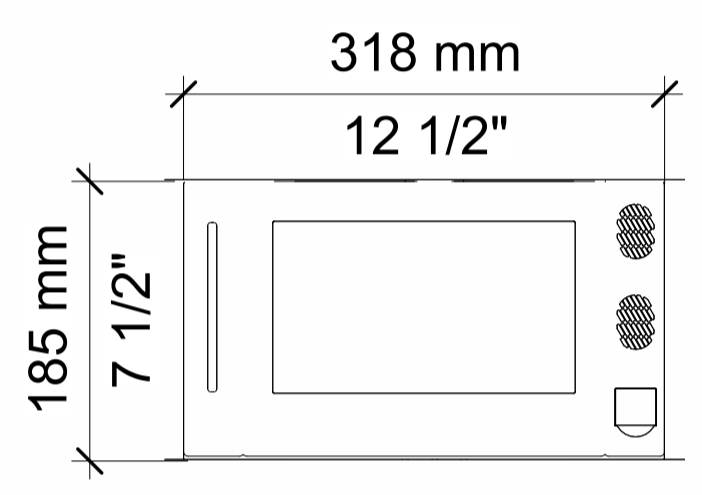


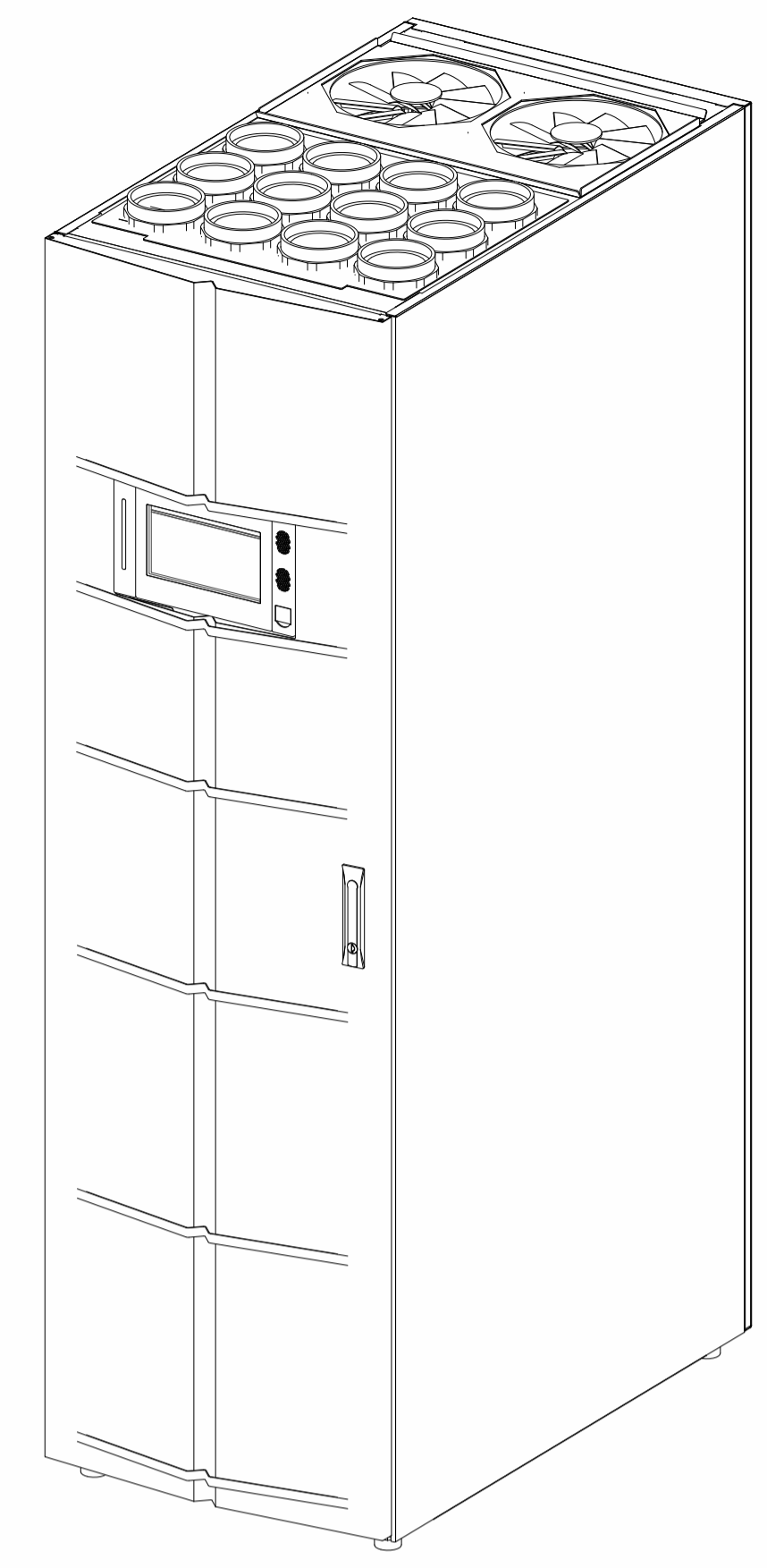
LEGAL DISCLAIMER: THIS DOCUMENT AND THE CONTENTS HEREIN ARE CONFIDENTIAL AND THE SOLE PROPERTY OF VERTIV. REPRODUCTION, DISTRIBUTION OR UNAUTHORIZED USE OF THIS DOCUMENT OR ANY PARTS WITHIN THIS DOCUMENT ARE FORBIDDEN WITHOUT THE WRITTEN CONSENT OF VERTIV.



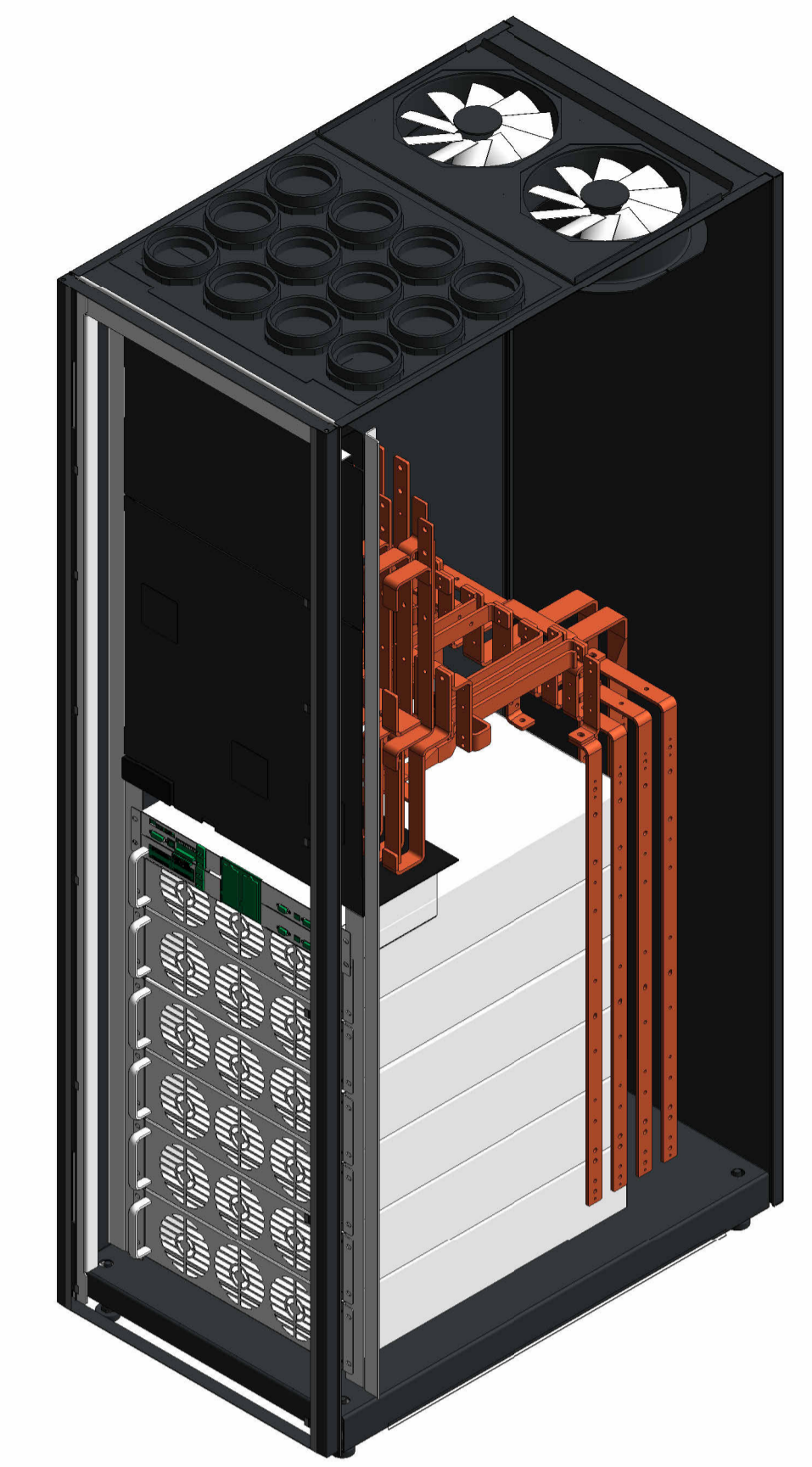
Top View



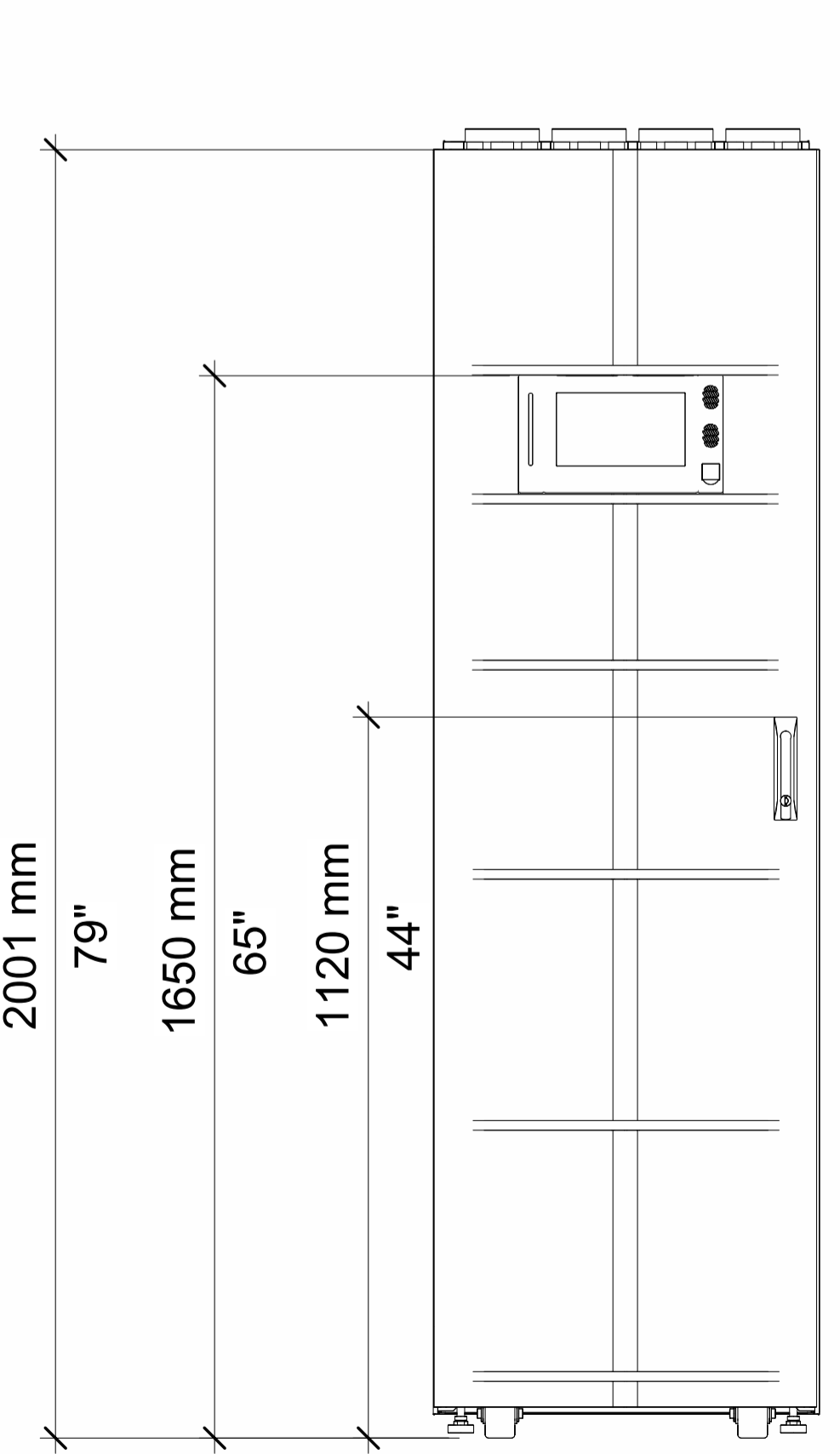
Display



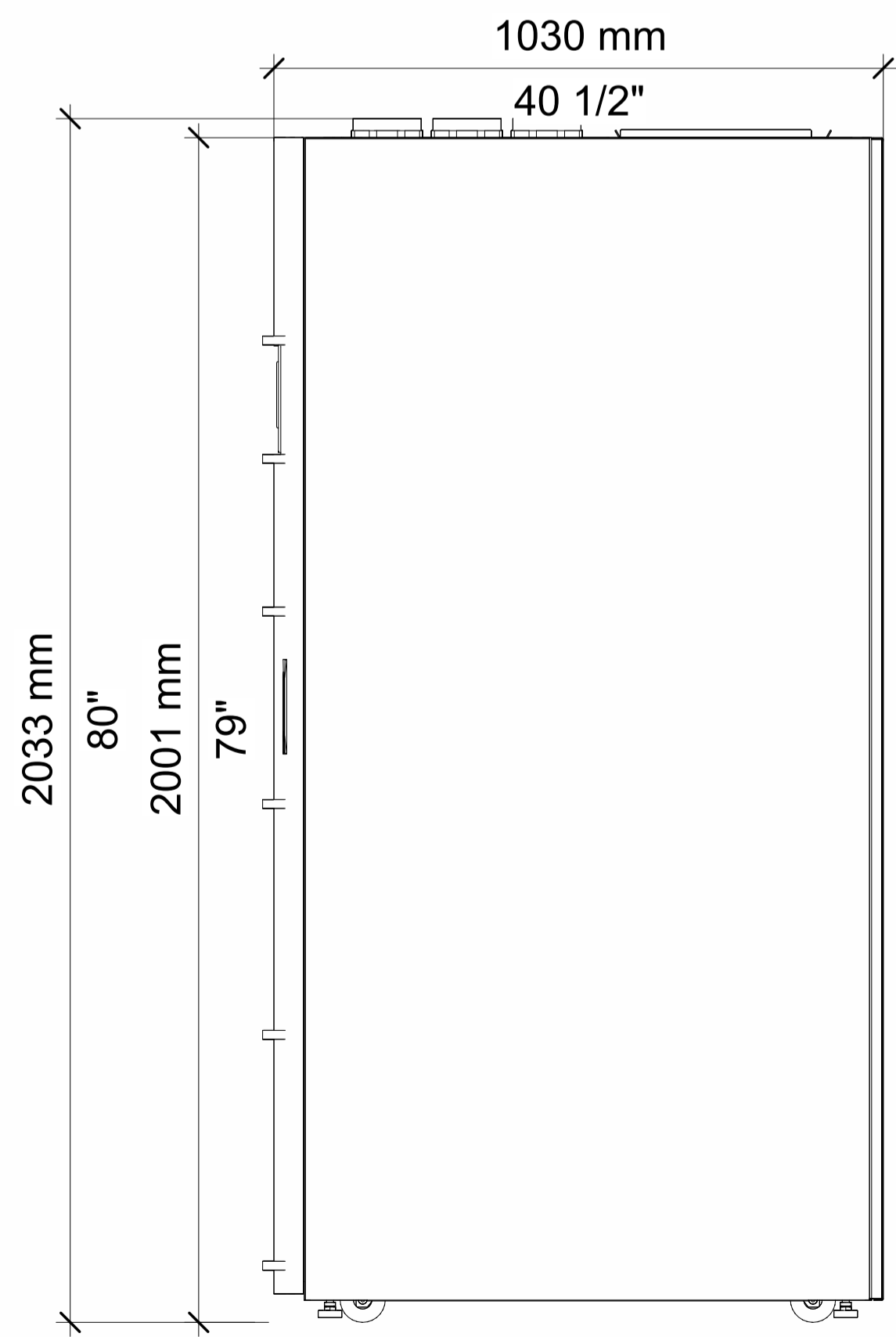
3D View



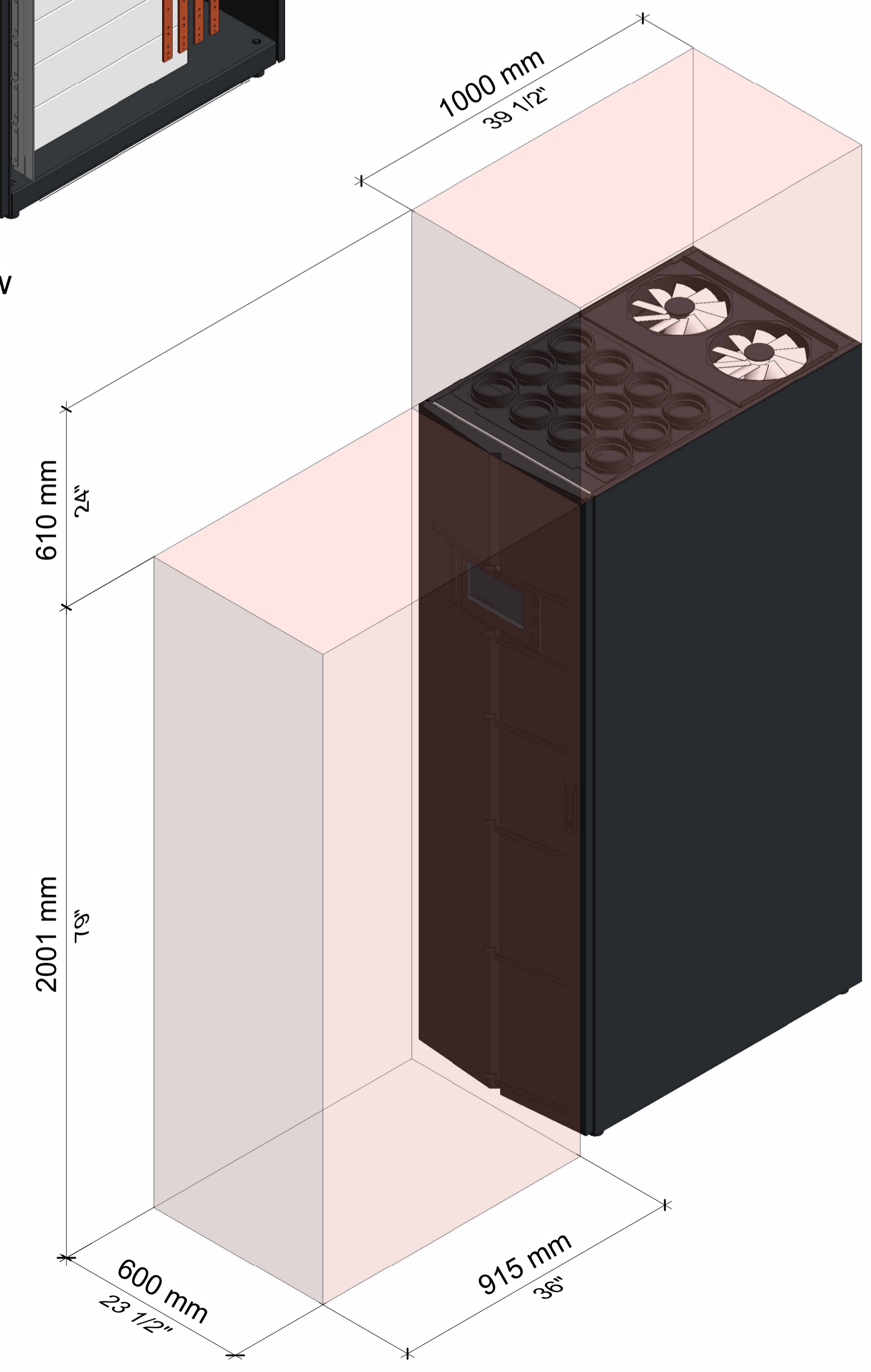
3D Section View



Front View



Side View



Clearance Dimensions

KEYNOTES

KEY PLAN

REV.	DESCRIPTION	DATE



PROJECT NAME
laS_ACP_1136

DRAWING NAME
V-APM2-60-300kVA-EE

DOCUMENT RESPONSIBLE / APPROVED BY
Approver

PREPARED BY (ALSO SUBJECT RESPONSIBLE IF OTHER)
BIM Team Pune

SHEET SIZE	DRAWING SCALE	DATE (YYYY-MM-DD)	REVISION
A1	N/A	2024-12-03	