

Avocent® LongView™ 5500/5520

High Performance KVM Extender System



Quick Installation Guide

The Avocent LongView 5500 and 5520 high performance KVM extender system provides the fastest way to extend high-quality video, audio, USB and serial data across your network.

Supported Hardware

Avocent LongView extenders support most standard speakers/headsets, microphones, USB keyboards and mice and an additional video channel.

Installation

This section provides steps and figures for system installation. The figures display cable connections that are numbered to indicate to which step they belong. Instructions apply for both modules unless referenced specifically.

After completing installation, please refer to your Vertiv Avocent LongView 5500/5520 High Performance KVM Extender System Installer/User Guide for additional information, including video and audio configuration details.

NOTE: Ensure your computer is turned off before starting the following steps.

1. Connecting transmitter video

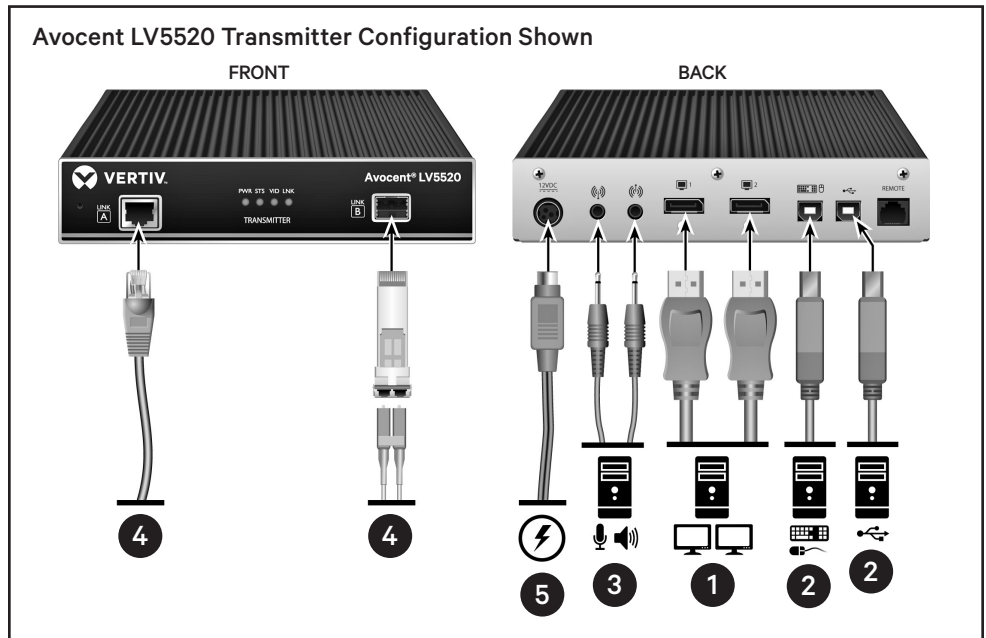
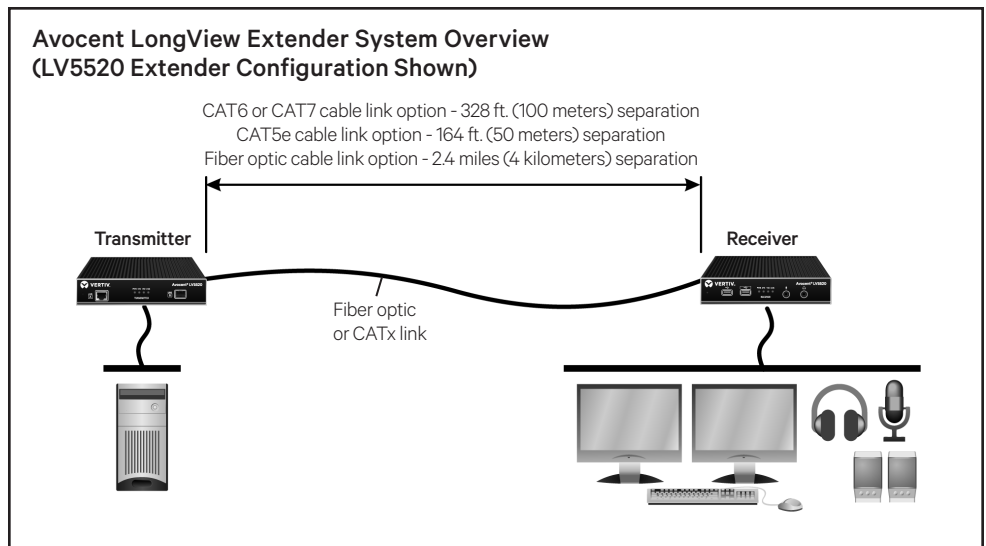
Avocent LV5500 extenders support a single-video display while Avocent LV5520 extenders support dual-video displays.

NOTE: Fiber must be used for dual-video displays at 4K resolution. If you are using CATx, 2.5K resolution is the highest possible for dual-video.

Connect a display port (DP) cable from the computer's primary video port to DP Port 1 on the rear of the transmitter.

For DP Port 2:

- Avocent LV5500 extender: Use a second DP cable to connect a local display (optional).
- Avocent LV5520 extender: Use a second DP cable to connect the computer's secondary video port.



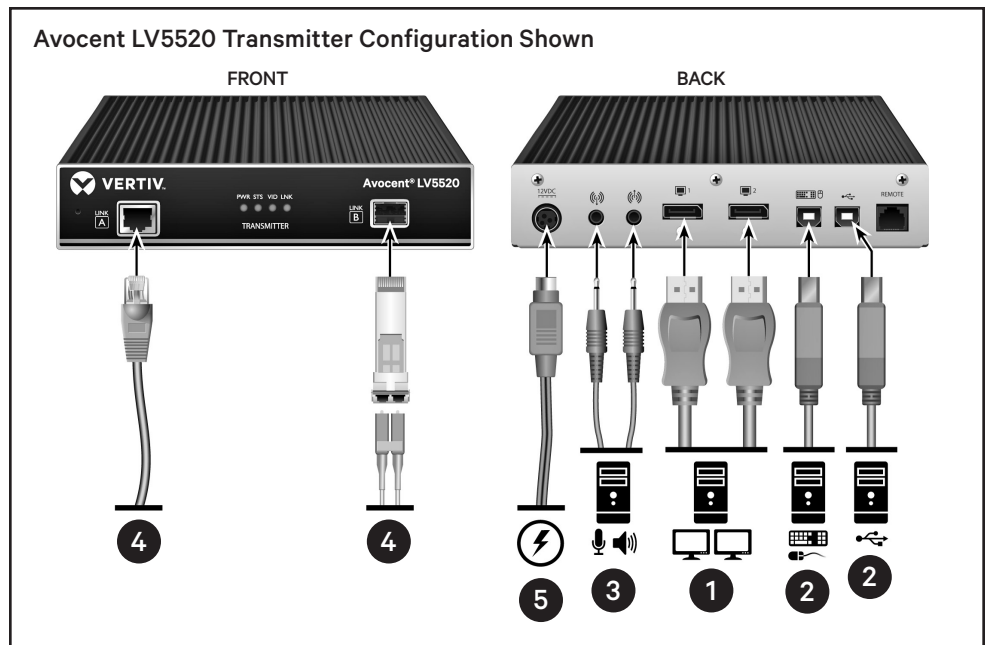
Transmitter Rear USB Port Functionality		
UNIT	LEFT USB PORT	RIGHT USB PORT
Avocent LV5500 Extender	USB feeds to all USB ports on the receiver	USB audio feed to/from the analog audio ports labeled on the receiver
Avocent LV5520 Extender	USB feed to all USB ports on receiver except the one labeled	Transparent USB feed to front panel socket labeled on the receiver

2. Connecting USB transmitter peripherals

NOTE: The two USB ports on the rear of the transmitter have different functions depending on the model. Use the table to the right to determine transmitter USB port functionality for your particular model.

Using a USB cable no longer than three meters, plug the cable's USB type B connector into the left USB port labeled with keyboard/mouse icons on the transmitter's rear. Connect the other end to a USB type A port on the host computer.

If desired, attach an additional USB cable to the type A USB port on the host computer and insert the cable's USB type B end into the right USB port on the rear of the transmitter.



3. Connecting audio to the transmitter

The Avocent LongView 5500 extender system supports analog audio. The Line In (🔊) port on the transmitter and the Line Out (🔊) port on the receiver accept 3.5 mm analog connectors.

ANALOG AUDIO

Use a 3.5 mm audio jack cable to connect the Line In (🔊) port on the transmitter to the analog Line Out or speaker port of the host computer.

If a microphone or other audio input is required, use another 3.5 mm audio jack cable to connect the Line Out (🔊) port on the transmitter to the analog Line In port of the host computer.

DIGITAL AUDIO

Digital audio is supported separately via the DisplayPort connectors as a transparent linkthrough.

NOTE: The digital input is fed across the main CATx or fiber optic link to the optical connection of the Line Out port on the receiver only.

There is no crossover between the analog and digital audio subsystems of the Avocent LongView 5500 high performance KVM extender system.

4. Connecting the transmitter to the receiver

CAUTION: The signals sent through the link cables are not compatible with standard networking equipment and could cause damage if connected. Do not connect the transmitter and receiver to any other networking devices.

CATx LINK

On the front of the transmitter, locate the CATx cable port labeled Link A. Insert a CATx cable into the Link A port on the front of the transmitter and the opposite end into the CATx port labeled Link A on the back of the receiver.

NOTE: The maximum distance for CAT 5e cable links is 50 meters (164 feet); CAT 6 and CAT 7 cable links are 100 meters (328 feet). The type and quality of the CATx cables used are crucial to the mode of operation. CAT 7 cables are recommended.

FIBER OPTIC LINK

WARNING: Ensure the power supply is off/disconnected before inserting or removing an SFP module.

Insert an SFP module fully into the empty slot labeled Link B on the front of the transmitter and receiver.

Insert the fiber optic cable connectors into the SFP module in the front of the transmitter until it clicks into place. Insert the connectors at the cable's opposite end into the SFP in the front of the receiver, ensuring it clicks into place.

NOTE: The maximum distance for fiber optic links is 4 km (2.4 miles).

5. Connecting transmitter power

NOTE: There is no on/off switch on the extender. Operation begins as soon as a power adaptor is connected.

Assemble the power adaptor and power cord. Insert one end of the power cord into the transmitter and plug the other end into an appropriate power source.

CAUTION: Both the unit and its power supply generate heat when in operation. Do not operate the

equipment in ambient temperatures exceeding 104° F (40° C). Do not place the products in contact with equipment with surface temperatures exceeding 104° F (40° C).

6. Connecting receiver video

Connect a display port cable from the primary video display to DP port 1 on the rear of the receiver.

Connect a second display port cable from the secondary video display to DP port 2 on the rear of the receiver.

- Avocent LV5500 extenders: DP port 2 duplicates the video on DP port 1.
- Avocent LV5520 extenders: DP port 2 shows the secondary video from the transmitter.

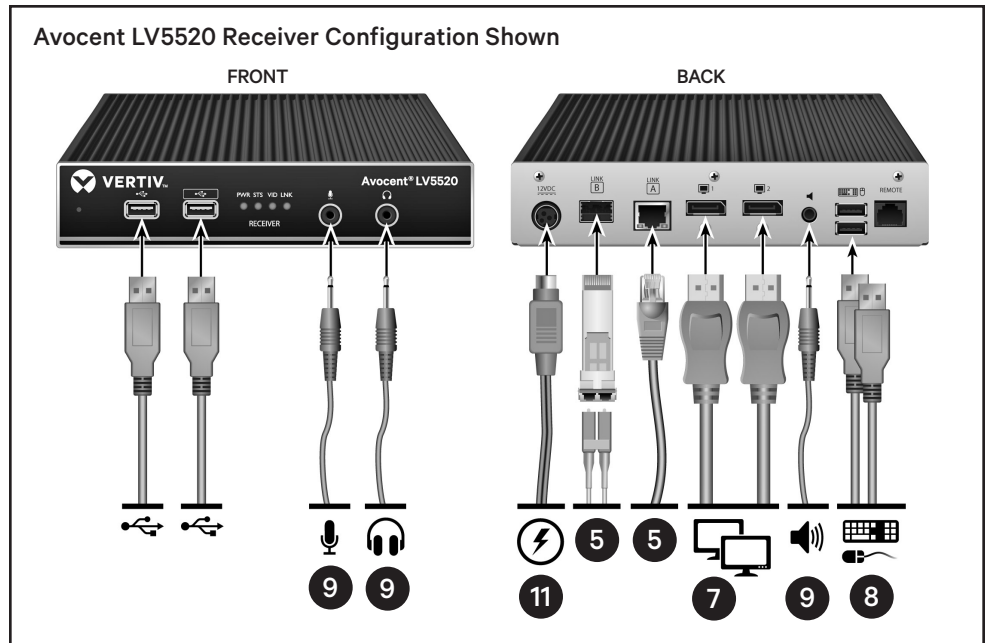
NOTE: For additional video display options and information, please see your Vertiv Avocent LongView 5500/5520 High Performance KVM Extender System Installer/User Guide.

7. Connecting the keyboard and mouse

Connect the cable from your USB keyboard and mouse to the USB port on the rear of the receiver.

8. Connecting audio to the receiver

The digital and analog channels run independently alongside each other via the CATx or fiber optic link. The receiver also has dedicated headphone and microphone jacks on the front.



Optionally use the rear 3.5mm audio jack to connect line-level audio devices, such as powered speakers.

HEADPHONES AND/OR A MICROPHONE

Connect the 3.5 mm audio jack from your headphones to the port on the front of the receiver.

If a microphone is required, connect the 3.5 mm audio jack from your microphone to the port on the front of the receiver.

ANALOG LINE OUT/LINE IN/ SPEAKERS

Connect the 3.5 mm audio jack from your powered speakers or the port of your audio device to the Line Out port on the rear of the receiver.

9. Connecting receiver power

NOTE: There is no on/off switch on the unit. Operation begins as soon as a power adaptor is connected.

Assemble the power adaptor and the power cord. Insert one end of the power cord into the transmitter and plug the other end into an appropriate power source.

CAUTION: Both the unit and its power supply generate heat when in operation. Do not operate the equipment in ambient temperatures exceeding 104° F (40° C). Do not place the products in contact with equipment with surface temperatures exceeding 104° F (40° C).



To contact Vertiv Technical Support: visit www.Vertiv.com

© 2024 Vertiv Group Corp. All rights reserved. Vertiv™ and the Vertiv logo are trademarks or registered trademarks of Vertiv Group Corp. All other names and logos referred to are trade names, trademarks or registered trademarks of their respective owners. While every precaution has been taken to ensure accuracy and completeness here, Vertiv Group Corp. assumes no responsibility, and disclaims all liability, for damages resulting from use of this information or for any errors or omissions.

