

# CYBEX™ ACTIVE FRONT PANEL



Easy access KVM switching that provides improved situational awareness

## BENEFITS

- **Simple to use and install**

The AFP is a dedicated device that only requires its built-in cable be connected to the Cybex SC Switch's RCU (Remote Control Unit) port.

- **Improve situational awareness**

By placing the AFP within the user's field of view, such as on top of the display, the user sees which channel is selected while they are working.

- **Designed for both desk or display mounting**

The AFP can be mounted on top of the display or on the desk.

- **Ideal for ergonomic sit-stand desks**

Using the Cybex AFP means the Cybex SC switch may remain under the desk and only the peripheral keyboard, mouse, card reader, monitor, and AFP cables must extend with the desks movement.

The Cybex™ Active Front Panel (AFP) is a simple, dedicated device designed for remote control and to enhance desktop situational awareness when using Vertiv™ KVM switches.

## How It Works

Work space can be limited and peripheral devices are located in areas that are not easy to access. Because of this, Vertiv has developed a solution that allows users to remotely control their KVM switches easily. The Cybex Active Front Panel (AFP) can be mounted on top of a monitor or located anywhere on the desk for easy access.

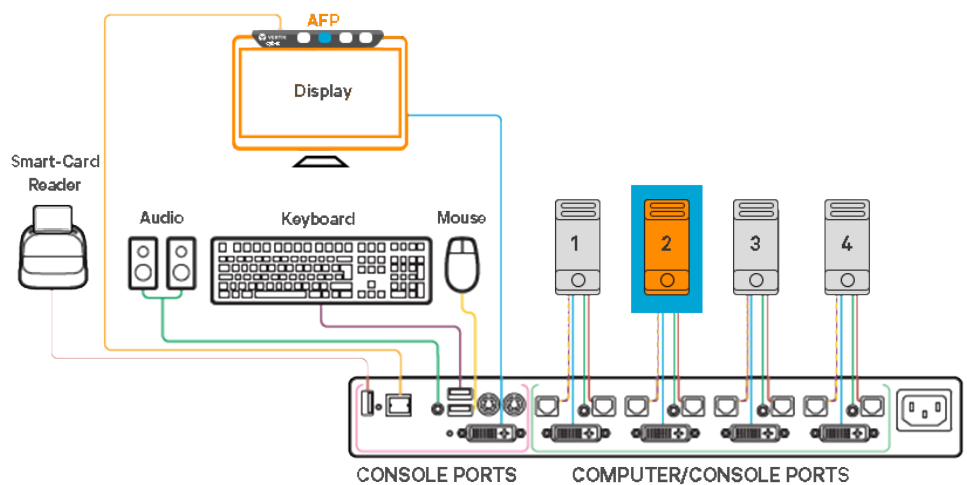
## ROI

Worker productivity is increased tremendously by keeping workspaces free of clutter and providing easy switching across multiple computers. All of this can be accomplished without reaching under a desk or behind objects.

## Features:

- Simple to use and install.
- Eliminate desk clutter.
- Easy channel switching with clear indication of the channel selected.
- Compatible with four and eight port Cybex SC switches and Avocent SV switches.
- Adjustable button light intensity for changes in ambient light.
- Cybex AFP may be placed up to 6 feet from Cybex SC switches.
- Disable Cybex SC switch's front panel buttons to prevent erroneous channel selection.
- No external power required.
- Communicates via standard RS232 which can be integrated with video wall controllers such as Crestron.

The AFP can be used with the following switches that are 4 or 8-port  
SC800/900 series  
SCKM 140/SCKM 145  
4-port SV200/300 series  
SVKM 140



## Technical Specifications

### ACTIVE FRONT PANEL MODELS

Model	Description
AFP0004	4-Port Remote Active Front Panel
AFP0008	8-Port Remote Active Front Panel

### DIMENSIONS & WEIGHTS

Model	Width (in / mm)	Depth (in / mm)	Height (in / mm)	Weight (oz / g)	Cable Length (in / mm)
AFP0004	6.5 / 165	1.3 / 34	0.7 / 17	2 / 60	71 / 1800
AFP0008	10.4 / 265	1.3 / 34	0.7 / 17	3 / 90	71 / 1800

### ENVIRONMENTAL CONDITIONS

Model	Operating Temperature	Humidity	Storage Temperature
All Models	32° to 104°F 0° to 40°C	0-80% RH, non-condensing	-4° to 140°F -20° to 60°C

<b>Regulatory Certifications</b>	FCC class B, CE, ICES class B, RCM, VCCI
<b>Standard Product Warranty</b>	3 Years; additional warranty terms available
<b>Compatible Cybex SC switches</b>	4 and 8-port Cybex SC800/900 Series and SCKM145
<b>Compatible Avocent SV switches</b>	SV200/300 Series and SVKM140

