



VERTIV™

CONTROL ROOM INFRASTRUCTURE

VERTIV™ KNÜRR® MOBILE
EQUIPMENT CARRIERS

Universal Cart Systems
Ergonomic. Modular. Future-Proof



KNÜRR MOBILE EQUIPMENT CARRIERS

- Mobility In Practice **2**
- Knürr DacoMobile® **5**
- Knürr MetraMobil® **21**
- Knürr SynergyCart® **29**
- Knürr Cabinet Cart – Rollo **37**
- Accessories **42**
- Individual solution **49**

Mobility In Practice

MODULAR & INDUSTRIAL SOLUTIONS

Whether for the electronics laboratory, in the logistics and in the automotive sector, our extensive standard range provides diverse solutions for the safe and secure mobility of valuable equipment. Our modular designs enable versatile cart configurations, immediately or at any time later on. For demanding ESD environments Knürr provides various cart systems – ranging from robust transport trolleys through to the fully equipped measurements and diagnostics cart.

Ergonomic details also simplify daily tasks in a wide range of environments. An extensive range of accessories supplements Knürr's mobile equipment carriers as requested by the customer: Flat screen holders, ESD castors, isolating transformers and leakage detectors, cable routing elements and other practical accessories.



MOB20131



MOB20162



MET 20000

Mobile Equipment Carriers

Knürr DacoMobile®

Page 5 to 19



Knürr DacoMobile® Strong points

• Stability

- Total load rating of up to 2100 N
- Worktops each with up to 800 N load rating
High stability with low-lying centre of gravity
- Distributed load drawer extension up to 200 N
- Torsional strength with stable aluminium extrusions on die-cast aluminium stabilizers and crosspiece of sheet steel
- Optimal stability for equipment set up in the trolley with raised edges all around the worktop

• Convenience

- Optimised operation with additional module components, such as
 - Cable duct
 - Rear panel
 - Euro mains distributor
 - Master switch
 - Socket strip

- Ergonomically optimal adjustment with
 - Keyboard extension
 - Pull-out shelves
- Effortless management of obstacles and uneven floors with Ø 125 mm large smooth-running castors
- Positioning with 2 lockable castors
- No marks and scratches on the doors, panels and fittings due to the integrated plastic bumper cap

• Variability

- Standard and ESD model components
- Modular designs enable numerous individual models
- Versatile applications ranging from the simple storage trolley to the complex laboratory station
- Simple and quick adjustment without special tools



MOB20095



MOB20053



MOB20096



MOB00274

Dimensions in mm: W = Width
H = Height
D = Depth
h = Installation height
d = Useful depth
L = Length

HU = Standard height unit, 1 HU = 44,45 mm
19" = 482,6 mm, (ideal for 19" components in acc. with DIN 41494)
UP = Unit of packaging
kg = Weight

Conversion: 1 inch = 25,4 mm
Replace „x“ with the number of your color choice

P = assemble to order (shipped within 10 working days)

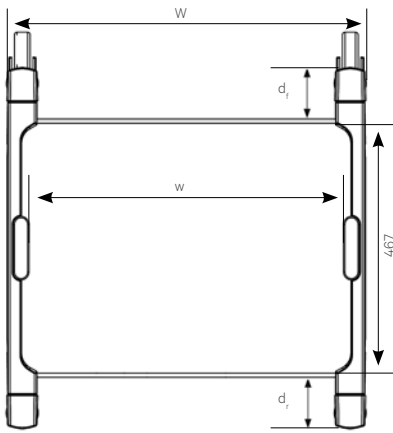
Caution: In case of larger orders, delivery times may increase.

Knürr DacoMobile® system components Technical data

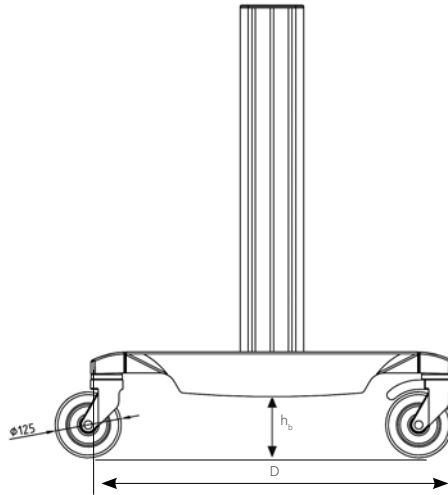
- Modules can be installed in 50 mm increments in height
- Smooth-running castors, Ø 125 mm, two with stoppers
- **Material**
 - Basic rack consists of:**
 - Extrusions: extruded aluminum
 - Runners: die-cast aluminum
 - Crosspiece: sheet steel
 - Worktop:**
 - sheet steel
 - Other modules:**
 - combination of sheet steel with laminated particle board, or sheet steel.
- **Finish**
 - Metal parts:**
 - powder-coated texture
 - Laminated sheet:**
 - fine-textured
- **Color**
 - Extrusions, runners, castors:**
 - RAL 5003, sapphire blue or RAL 7021 ESD or RAL 7035, light grey
 - Modules:**
 - RAL 7035, light grey
 - ESD castors:**
 - black
- **Maximum static load rating**
 - Per basic rack:**
 - 2,100 N
 - Per castor:**
 - 750 N
 - Surface load per worktop:**
 - up to 800 N
- **How supplied**
 - Fully assembled



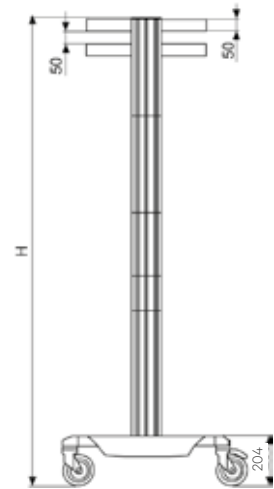
MOB20051



MOB20076



MOB20077



MOB20035

Installation position of the Knürr DacoMobile® elements in 50 mm increments, measured from above.

W (mm)	600	700
w (mm)	496	596

D = 680 mm
 h_b = 120 mm
 d_f = 97 mm
 d_r = 97 mm

Knürr DacoMobile® 1515

- **Material**
 - Worktops – sheet steel
 - Handle(s) – aluminum extrusion
 - Base unit crosspiece – sheet steel
- **Dimensions**
 - Height 1,515 mm
- **Color**
 - RAL 5003, sapphire blue /
 - RAL 7035, light grey
- **Supply schedule**
 - 1 basic rack
 - 2 handles
 - 4 worktops
- **How supplied**
 - Partially assembled

W	H	D	w		Order no.	UP
700	1515	685	596		00.106.628.2	1 unit



MOB20097

Mobile ESD-Measuring and Analysis Station

- **Color combination**
 - Worktop, RAL 7035, light grey
 - Extrusions and stabilizer, RAL 7021 black grey
- **Castor – Ø 125 mm**
- **Load rating**
 - **Basic rack:**
 - 2,100 N
 - **Per castor:**
 - 750 N
 - **Surface load per worktop:**
 - 800 N
- **Material / Finish**
 - **Basic rack consists of:**
 - Extrusions: extruded aluminum
 - Rockers: die-cast aluminum, powder-coated;
- **Supply schedule**
 - 1 ESD-basic rack
 - 2 ESD-worktop
 - 1 ESD-drawer
 - 1 ESD-handle
- **How supplied**
 - Assembled
- **Material / Finish**
 - Sliding handle – aluminum extrusion
 - Base unit crosspiece – sheet steel
 - Drawer unit, sheet steel
 - Table top, sheet steel

W	H	D	w	d	Order no.	UP
700	860	685	596	490	00.115.620.9	1 unit



MOB20098

Dimensions in mm: W = Width
H = Height
D = Depth
h = Installation height
d = Useful depth
L = Length
HU = Standard height unit, 1 HU = 44,45 mm
19" = 482,6 mm, (ideal for 19" components in acc. with DIN 41494)
UP = Unit of packaging
kg = Weight

Conversion: 1 inch = 25,4 mm
Replace „x“ with the number of your color choice

= assemble to order (shipped within 10 working days)

Caution: In case of larger orders, delivery times may increase.

Knürr DacoMobile® Basic Rack

Finish

Replace „x“ with the number of your color choice.

Final digit of order number .1:

- Vertical extrusions, die-cast aluminium runners RAL 7035 light grey
- Bottom frame cover RAL 7035 light grey
- Castors, bumper-caps and end-caps black

Final digit of order number .2:

- Vertical extrusions, die-cast aluminium runners RAL 5003 sapphire blue
- Bottom frame cover RAL 7035 light grey
- Castors, bumper-caps and end-caps black
- RAL 5003 sapphire blue

ESD finish .9:

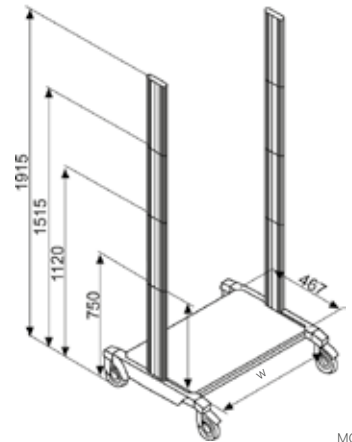
- Vertical extrusions, die-cast aluminum runners RAL7021 black grey, ESD bottom cover
- RAL 7035, light grey, ESD
- Conductive castors, impact protection caps and end-caps, black

Supply schedule

- 1 bottom cover made of sheet steel
- 2 die-cast aluminum runners with plastic bumper caps
- 4 smooth-running castors – Ø 125 mm, 2 with snib
- 2 vertical aluminum extrusions with threaded strips for mounting the modules

Design your own individual equipment carrier as follows:

1. Choose ESD or Standard
2. Select a width
3. Select the height of the basic rack
4. Choose the appropriate accessories on the following pages



MOB20034

W	H	w	ESD	Order no.	UP
600	750	496		00.101.505.x	1 unit
600	750	496	•	00.101.614.9	1 unit
700	750	596		00.101.605.x	1 unit
700	750	596	•	00.101.615.9	1 unit
600	1120	496		00.103.505.x	1 unit
600	1120	496	•	00.103.614.9	1 unit
700	1120	596	• P (.2)	00.103.605.x	1 unit
700	1120	596	•	00.103.615.9	1 unit
600	1515	496		00.104.505.x	1 unit
600	1515	496	•	00.104.614.9	1 unit
700	1515	596	• P (.2)	00.104.605.x	1 unit
700	1515	596	•	00.104.615.9	1 unit
600	1915	496		00.105.505.x	1 unit
600	1915	496	•	00.105.614.9	1 unit
700	1915	596	• P (.2)	00.105.605.x	1 unit
700	1915	596	•	00.105.615.9	1 unit



MOB00333

Knürr DacoMobile® Cable Duct Large

- With convenient hinged cover with two quicklocks
- Separate cable routing via mounting strip
- Cable exit via sealing lips at any height
- Can be mounted left or right

Material

- Sheet steel, powder-coated RAL 7035, light grey, antistatic
- ESD: RAL 7021, black-grey, antistatic

Supply schedule

- 1 cable duct
- Mounting material

W	H	D	ESD	Order no.	UP
85	1120	190		00.118.014.1	1 unit
85	1515	190		00.118.015.1	1 unit
85	1915	190		00.118.016.1	1 unit
85	1120	190	•	00.118.214.9	1 unit
85	1515	190	•	00.118.215.9	1 unit
85	1915	190	•	00.118.216.9	1 unit



MOB20057

Knürr DacoMobile® Castor Set

- Load capacity: 750 N per castor – ø 125 mm
- **Color**
 - **Standard castors:**
 - RAL 5003, sapphire blue
 - **ESD:**
 - Black
- **Supply schedule**
 - 4 smooth-running castors
 - 2 with stopper

ESD		Order no.	UP
		00.128.965.2	1 unit
•		00.128.975.9	1 unit



MOB20067

Knürr DacoMobile® Worktop

- **Material**
 - Sheet steel, powder-coated
- **Color**
 - RAL 7035, light grey
 - **ESD version:**
 - RAL 7035, light grey, ESD
- **Supply schedule**
 - 1 worktop
 - Mounting material
- **Note**
 - Please order handle and anti-slide mats separately.

H	D	w	Model	ESD	Order no.	UP
50	490	496	Sheet steel		00.101.530.1	1 unit
50	490	596	Sheet steel		00.101.630.1	1 unit
50	490	496	Sheet steel, ESD	•	00.101.540.1	1 unit
50	490	596	Sheet steel, ESD	•	00.101.640.1	1 unit



version: sheet steel

MOB20071

Knürr DacoMobile® Worktop Handle

- For sheet steel worktops
- Can be mounted from front and/or rear
- **Material**
 - Sheet steel
 - Aluminum extrusion handle
- **Color**
 - RAL 7035, light grey
 - **ESD:**
 - RAL 7021, dark grey, antistatic
- **Supply schedule**
 - 1 handle
 - 2 mounting brackets
 - Mounting material

w	Model	ESD	Order no.	UP
496	Dacomobile worktop handle		00.101.045.1	1 unit
596	Dacomobile worktop handle		00.101.050.1	1 unit
496	Dacomobile worktop handle ESD	•	00.101.145.1	1 unit
596	Dacomobile worktop handle ESD	•	00.101.150.1	1 unit



MOB20070

Dimensions in mm: W = Width
H = Height
D = Depth
h = Installation height
d = Useful depth
L = Length

HU = Standard height unit, 1 HU = 44.45 mm
19" = 482.6 mm, (ideal for 19" components in acc. with DIN 41494)
UP = Unit of packaging
kg = Weight

Conversion: 1 inch = 25,4 mm
Replace „x“ with the number of your color choice

= assemble to order (shipped within 10 working days)

Caution: In case of larger orders, delivery times may increase.

Tiltable Mounting Plate

- Universal mounting plate. Can be mounted in three different angle positions
- Maximum static surface load: 20kg

Material

Sheet-steel, powder-coated

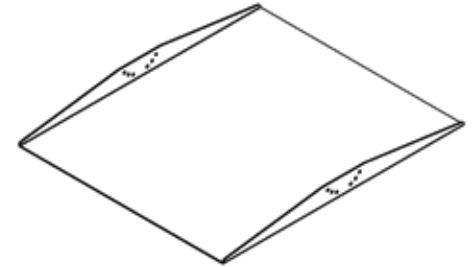
Finish

- RAL 7035 light grey

Supply schedule

- 1 mounting plate
- Mounting material

D	w	Order no.	UP
600	496	00.101.134.1	1 unit
600	596	00.101.135.1	1 unit
700	496	00.101.137.1	1 unit
700	596	00.101.138.1	1 unit



MOB20132

Knürr DacoMobile® Cross Extrusion

- For cross-bracing the basic rack with heavy components or with high carts

Material

- Sheet steel, powder-coated

Finish

Final digit of order number .1:

- RAL 7035 light grey

Final digit of order number .2:

- RAL 5003 sapphire blue

Final digit of order number .9:

- ESD version, RAL 7021 black grey ESD

Supply schedule

- 1 cross extrusion
- Mounting material

w	Model	ESD	Order no.	UP
496	Sheet steel		00.122.510.X	1 unit
596	Sheet steel		00.122.611.X	1 unit
496	Sheet steel, ESD	•	00.122.510.9	1 unit
596	Sheet steel, ESD	•	00.122.611.9	1 unit



MOB20063

Knürr DacoMobile® Telescopic shelf

- ESD or standard version
- Shelf with telescopic slides
- Locking in closed an extended position
- Maximum static load: 22kg

Material


- Sheet steel, powder-coated
- Tray handle – plastic

Color

- Extension board, RAL 7035 light grey, antistatic
- Standard tray handle, RAL 7035 light grey
- ESD handle, black

Supply schedule

- 1 Telescopic shelf, pre-assembled
- Mounting material

H	D	w	Model	ESD	Order no.	UP
50	490	496	Sheet steel		00.125.525.2	1 unit
50	490	596	Sheet steel		00.125.625.2	1 unit
50	490	496	Sheet steel, ESD	•	00.125.530.1	1 unit
50	490	596	Sheet steel, ESD	•	00.125.630.1	1 unit




MOB20050

Dimensions in mm: W = Width
H = Height
D = Depth
h = Installation height
d = Useful depth
L = Length

HU = Standard height unit, 1 HU = 44,45 mm
19"= 4826 mm,
(ideal for 19" components in acc. with DIN 41494)
UP = Unit of packaging
kg = Weight

Conversion: 1 inch = 25,4 mm
Replace „x“ with the number of your color choice

 = assemble to order (shipped within 10 working days)

Caution: in case of larger orders , delivery times may increase.

Knürr DacoMobile® Keyboard Extension Closed

- ESD or standard version
 - Closed sheet steel carcass
 - Main unit cover recessed for optional anti-slide mats
 - Extension board with telescopic slides
 - Mouse table can be moved to the left or right with or without lock
 - Maximum static load for telescopic shelf: 10kg
- **Color**
 - Main unit, extension board, mouse table: RAL 7035, light grey, antistatic
 - Standard tray handle, RAL 7035, light grey
 - ESD handle, black
 - **Supply schedule**
 - 1 keyboard extension, closed, with mouse table
 - Mounting material
- **Material**
 - Sheet steel, powder-coated
 - Tray handle – plastic

H	D	w	Model	ESD	Order no.	UP
100	490	496	With loc		00.127.516.2	1 unit
100	490	596	With loc		00.127.616.2	1 unit
100	490	496	With loc	•	00.127.526.1	1 unit
100	490	596	With loc	•	00.127.626.1	1 unit



MOB20074

Knürr DacoMobile® Drawer Module

- ESD or standard version
 - With or without lock
 - Height – 100 or 150 mm
 - Sheet steel main unit
 - Main unit cover with depression for optional anti-slide mats
 - Maximum static load: 10 kg for drawer 20 kg for corpus
- **Color**
 - Main unit, drawer: RAL 7035, light grey, antistatic
 - Tray handle: Standard RAL 7035, light grey
 - ESD handle: Black
 - **Supply schedule**
 - 1 drawer module
 - Mounting material
- **Material**
 - Sheet steel, powder-coated
 - Tray handle – plastic

H	D	w	Model	ESD	Order no.	UP
100	490	496	With lock		00.117.536.2	1 unit
100	490	596	With lock		00.117.616.2	1 unit
100	490	496	With lock	•	00.117.526.1	1 unit
100	490	596	With lock	•	00.117.626.1	1 unit
150	490	496	With lock		00.117.538.2	1 unit
150	490	596	With lock		00.117.618.2	1 unit
150	490	496	With lock	•	00.117.528.1	1 unit
150	490	596	With lock	•	00.117.628.1	1 unit



MOB20072



MOB20073

Knürr DacoMobile® Storage Tray

- Tray for paper, cables or small parts
 - Height 80 mm
 - With perforation Ø 8 mm
- **Color**
 - RAL 7035, light grey, antistatic
 - **Supply schedule**
 - 1 storage tray
 - Mounting material
- **Material**
 - Sheet steel, powder-coated

H	D	w	Model	ESD	Order no.	UP
80	490	496	ESD	•	00.111.512.1	1 unit
80	490	596	ESD	•	00.111.612.1	1 unit



MOB20068

Knürr DacoMobile® Mounting Kit, Fixed For 19" DoubleProRack Enclosures

- Installation option for two different enclosure depths in the basic rack
- Maximum static load rating, 800 N
- Only for Knürr DacoMobile® width 600 mm!
- Only for Knürr DoubleProRack Enclosure Width 600; depth 500 mm, 600 mm, 700 mm

- **Supply schedule**
 - 1 pair of mounting brackets

- **Note**
More information on 'DoubleProRack':
 - www.pdb.knuerr.com



MOB20067

W	H	D	Order no.	UP
		500	00.101.130.1	1 unit
		600	00.101.131.1	1 unit
		700	00.101.132.1	1 unit

Spacer set for DoubleProRack

- Recommended for DoubleProRack enclosures, mounted in DacoMobile® trolley to stabilize the enclosure

- **Supply schedule**
 - 2x spacer 20mm length
 - 2x Cylinder head screw M6x60
 - 2x Spring nut M6
 - 2x Star washer 6.4mm

- **Material**
 - Aluminium extrusion, powder-coated RAL 7035 light grey



MOB20082

W	H	D	Order no.	UP
			00.101.016.1	1 unit



MOB20133



MOB20134

Vertiv™ Knürr® DoubleProRack® 19" Stand-alone Enclosure

Description

- For components compliant with IEC 297-3
- Side covers and rear panel may be removed
- Flexible assembly of components using T-slot (also available with mounting holes)
- Cable entry via rear panel
- Heat loss discharge via convection on the rear panel (optional with fan unit)

Jumpering space

- Front 125 mm

Load rating

- 1500 N static

Protection rating

- IP 20

Material / Finish

- Covers, sheet steel, powder-coated texture
- Die-cast aluminum frame
- Extruded aluminum extrusions
- Front door glass infill, single safety glass panel

Color

- Panels RAL 7035 light grey
- Frame and extrusions, RAL 5008, grey-blue

Scope of delivery

- 1 x frame rack incl. side covers
- 1 x full glass door
- 1 x rear panel with cable entry, 3 parts
- 1 x panel, above, with vent slots
- 1 x panel, below, with vent slots
- 1 x 19" component set (4 vertical extrusions with T-slot)
- 1 x grounding set with M8 grounding bolt

How supplied

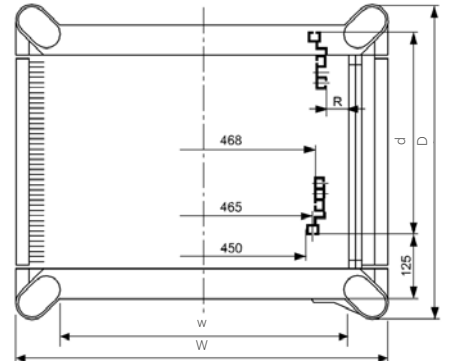
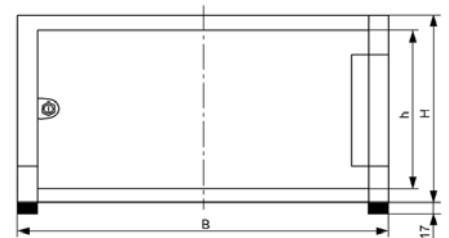
- Assembled

Note

- When using a DoublePro rack in combination with a DacoMobile, we recommend to choose the DacoMobile in color combination .1 (light grey)



DOP00256



DOP00230

W	H	D	U	h	d (max.)	Model	Order no.	UP
554.4	577	600	12	532	435	With full glass door	01.246.643.1	1 unit
554.4	711	600	15	666	435	With full glass door	01.246.644.1	1 unit
554.4	844	600	18	799	435	With full glass door	01.246.645.1	1 unit
554.4	978	600	21	932	435	With full glass door	01.246.646.1	1 unit
554.4	1111	600	24	1066	435	With full glass door	01.246.647.1	1 unit

Dimensions in mm: W = Width
H = Height
D = Depth
h = Installation height
d = Useful depth
L = Length

HU = Standard height unit, 1 HU = 44.45 mm
19" = 482.6 mm, (ideal for 19" components in acc. with DIN 41494)
UP = Unit of packaging
kg = Weight

Conversion: 1 inch = 25,4 mm
Replace „x“ with the number of your color choice

P = assemble to order (shipped within 10 working days)

Caution: In case of larger orders, delivery times may increase.

Vertiv™ Knürr® DoubleProRack® 19" Enclosure without Front Door

Description

- For components compliant with IEC 297-3
- Side covers and rear panel may be removed
- Heat loss discharge via convection on the rear panel (optional with fan unit)

Load rating

- 1500 N static

Protection rating

- IP 20

Material / Finish

- Covers, sheet steel, powder-coated texture
- Die-cast aluminum frame
- Extruded aluminum extrusions

Color

- Panels RAL 7035 light grey
- Frame and extrusions, RAL 5008, greyblue

Scope of delivery

- 1 x frame rack incl. side covers
- 1 x panel, above, with vent slots
- 1 x panel, below, with vent slots
- 1 x rear panel (from 12 U enclosure height incl. 3 U vented cover plate)
- 2 x 19" extrusions, front, with mounting holes
- 2 x 19" extrusions at the rear, T-slot

How supplied

- Assembled

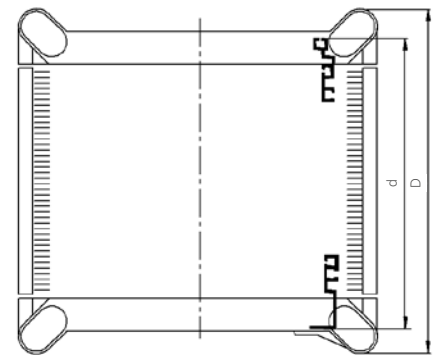
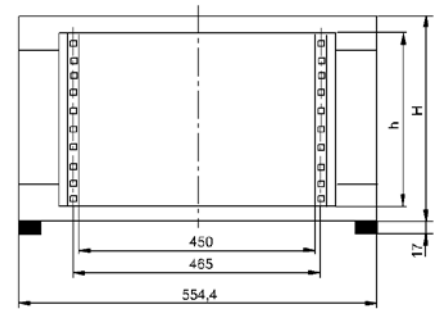
Note

- When using a DoublePro rack in combination with a DacoMobile, we recommend to choose the DacoMobile in color combination .1 (light grey)



DOP00253

W	H	D	U	h	d (max.)	Kg	Model	Order no.	UP
554.4	311	500	6	265	460	12.5	Without door	01.243.506.1	1 unit
554.4	444	500	9	399	460	15.0	Without door	01.243.509.1	1 unit
554.4	577	500	12	532	460	17.0	Without door	01.243.512.1	1 unit
554.4	711	500	15	666	460	19.5	Without door	01.243.515.1	1 unit
554.4	311	600	6	265	560	14.0	Without door	01.243.606.1	1 unit
554.4	444	600	9	399	560	16.5	Without door	01.243.609.1	1 unit
554.4	577	600	12	532	560	19.0	Without door	01.243.612.1	1 unit
554.4	711	600	15	666	560	22.0	Without door	01.243.615.1	1 unit
554.4	844	600	18	799	560	24.5	Without door	01.243.618.1	1 unit
554.4	978	600	21	932	560	27.0	Without door	01.243.621.1	1 unit
554.4	1111	600	24	1066	560	29.5	Without door	01.243.624.1	1 unit
554.4	577	700	12	532	660	21.5	Without door	01.243.712.1	1 unit
554.4	711	700	15	666	660	24.0	Without door	01.243.715.1	1 unit
554.4	844	700	18	799	660	27.0	Without door	01.243.718.1	1 unit
554.4	978	700	21	932	660	29.5	Without door	01.243.721.1	1 unit
554.4	1111	700	24	1066	660	32.5	Without door	01.243.724.1	1 unit



DOP00052

Dimensions in mm: W = Width
H = Height
D = Depth
h = Installation height
d = Useful depth
L = Length

HU = Standard height unit, 1 HU = 44.45 mm
19" = 482.6 mm, (ideal for 19" components in acc. with DIN 41494)
UP = Unit of packaging
kg = Weight

Conversion: 1 inch = 25.4 mm
Replace „x“ with the number of your color choice

P = assemble to order (shipped within 10 working days)

Caution: In case of larger orders, delivery times may increase.

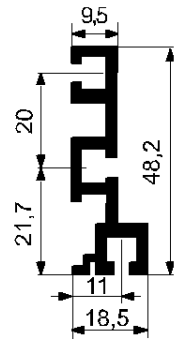
Vertiv™ Knürr® DoubleProRack® 19" Installation, Front with T-slot

- Can also be used as second mounting level
- **Material**
 - Aluminum extrusions
- **Finish**
 - Polished
- **Scope of delivery**
 - 2 x 19" extrusions at the front, T-slot
 - 1 x Mounting kit
- **How supplied**
 - In sets

U	Order no.	UP
6	01.240.440.9	1 set
9	01.240.443.9	1 set
12	01.240.445.9	1 set
15	01.240.446.9	1 set
18	01.240.447.9	1 set
21	01.240.448.9	1 set
24	01.240.449.9	1 set



DOP20004



DOP00313

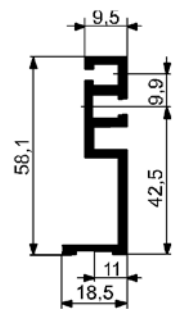
Vertiv Knürr DoubleProRack 19" Installation, Front with Mounting Holes

- Can also be used as second mounting level
- **Material**
 - Extruded aluminum extrusions
- **Finish**
 - Polished
- **Scope of delivery**
 - 2 x 19" extrusions at the front, mounting holes
- **How supplied**
 - In sets

U	Order no.	UP
6	01.240.490.9	1 set
9	01.240.493.9	1 set
12	01.240.495.9	1 set
15	01.240.496.9	1 set
18	01.240.497.9	1 set
21	01.240.498.9	1 set
24	01.240.499.9	1 set



DOP20005



DOP00055

Vertiv Knürr DoubleProRack Fan Rear Panel 3 U

- With axial fans
- With thermostat
- **Technical data for single fan**
 - Max. volume flow (free blowing):**
 - 162 m³/h
 - Noise emission (free blowing):**
 - 37 dB(A)
- **Technical data for thermostat**
 - Setting range:**
 - 0 to 60°C
 - Mains supply:**
 - 240 V / 50 Hz
 - Nominal current:**
 - 16 A
- **Scope of delivery**
 - 1 x fan rear panel, wired
 - 1 x Mounting kit
- **Finish / Color**
 - Powder-coated texture, RAL 7035 light grey
- **How supplied**
 - Assembled
- **Note**
 - Cannot be used in the enclosure's lowest U



DOP20035



DOP20036

W	H	U	Model	Order no.	UP
554.4	132.5	3	With thermostat	01.243.428.1	1 unit

Vertiv Knürr DoubleProRack Rear Panel, closed

- For DoubleProRack width 554.4 mm
- **Material / Finish**
 - Sheet steel, 0.8 mm, powder-coated texture
- **Color**
 - RAL 7035, light grey

- **Scope of delivery**
 - 1 x rear panel, closed
 - 1 x Mounting kit
- **How supplied**
 - In sets

W	U	Order no.	UP
554.4	6	01.240.454.1	1 unit
554.4	9	01.240.457.1	1 unit
554.4	12	01.240.459.1	1 unit
554.4	15	01.240.460.1	1 unit
554.4	18	01.240.461.1	1 unit
554.4	21	01.240.462.1	1 unit



DOP00275

Vertiv™ Knürr® DoubleProRack® Connection Panel with Brush Strip

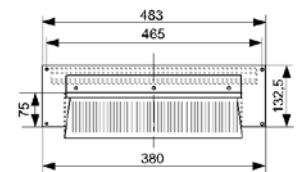
- To cover rear panel along with the corresponding rear panel shortened by 3 U
- For DoubleProRack width 554.4 mm
- With brush strip for cable routing and strain relief
- **Finish / Color**
 - Powder-coated texture, RAL 7035 light grey

- **Scope of delivery**
 - 1 x connection plate
 - 1 x Mounting kit
- **How supplied**
 - In sets

W	H	U	Order no.	UP
554.4	132.5	3	01.243.438.1	1 unit



DOP00274



DOP00288

Grounding Bar

- For safe grounding or potential equalization of equipment and components
- **Material**
 - Electrolyte copper 9 x 9

- **Scope of delivery**
 - 1 x grounding bar
 - 2 x brackets
 - 1 x Mounting kit

U	Order no.	UP
12	01.110.703.9	1 unit
21	01.240.545.9	1 unit



ELM00068

Vertiv Knürr DoubleProRack Grounding Set for Enclosures

- For grounding top/bottom cover
- With central grounding bolt
- 2 x washers
- 4 x cylinder screws, M5 x 10
- 1 x grounding bolt
- **Scope of delivery**
 - 2 x grounding connections, length 250 mm
 - 4 x spring nuts, M5
- **How supplied**
 - In sets

Order no.	UP
01.243.400.9	1 set



MEC20122

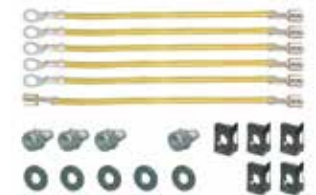


DOP20025

Vertiv Knürr DoubleProRack Grounding Set for Doors and Trims

- For grounding doors and/or cover plates
- 5 x cylinder screws, M5 x 10 with tooth-lock washer
- 5 x washers
- **Scope of delivery**
 - 5 x grounding connections, length 250 mm
 - 1 x grounding connection, 250 mm, two-sided AMP plug
 - 5 x spring nuts, M5
- **How supplied**
 - In sets

Order no.	UP
01.245.400.9	1 set



MEC20123



DOP00286

Contact Clamp

- Enables safe connection of equipment and components to grounding bar
- For cables up to 25 mm
- **Scope of delivery**
 - 120 x contact clamps

Order no.	UP
01.110.715.9	20 units



DOP20016

Dimensions in mm: W = Width
H = Height
D = Depth
h = Installation height
d = Useful depth
L = Length

HU = Standard height unit, 1 HU = 44.45 mm
19" = 482.6 mm, (ideal for 19" components in acc. with DIN 41494)
UP = Unit of packaging
kg = Weight

Conversion: 1 inch = 25,4 mm

Replace „x“ with the number of your color choice

IP = assemble to order (shipped within 10 working days)

Caution: In case of larger orders, delivery times may increase.

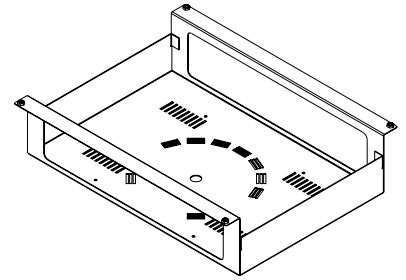
ESD mounting set for isolating transformer

- Tray: Mount on underside of base unit
 - Secure fixing of the isolating transformers
 - With ventilation perforations
- **Material**
 - Sheet steel, powder-coated
 - **Color**
 - RAL 7035, light grey, antistatic
- **Supply schedule**
 - 1 mounting set
 - Mounting material
 - **Note**
 - **Only for Knürr Dacomobile:**
W 696 mm, w 596 mm

W	H	D	Model	Order no.	UP
520	120	350	Tray	00.101.262.1	1 unit



MOB20064



Knürr DacoMobile® Master Switch Module

- For mounting on the vertical extrusions
 - With lit on/off switch, white
 - Pre-wired with H05VV-F3G cable, 1.5 mm²
 - Sheet steel, powder-coated
- **Color**
 - **Standard:**
 - RAL 7035, light grey, antistatic
 - **Supply schedule**
 - 1 master switch module
 - Mounting material

W	H	D	Order no.	UP
40	76	90	00.118.001.1	1 unit



MOB20048

Knürr DacoMobile® Rubber Mat

- **Material**
 - Self-adhesive rubber-mat made of open pore sponge rubber
- **Colour**
 - Standard: grey, ESD: black

W	w	Model	ESD	Order no.	UP
600	496	Standard, for sheet-steel table top and drawer unit top		00.101.195.0	1 unit
700	596	Standard, for sheet-steel table top and drawer unit top	P	00.101.200.9	1 unit
600	496	Standard, for sheet-steel keyboard extension open		00.101.196.0	1 unit
700	596	Standard, for sheet-steel keyboard extension open		00.101.202.9	1 unit
600	496	ESD, for sheet-steel tabletop and drawer unit top	•	00.101.198.0	1 unit
700	596	ESD, for sheet-steel tabletop and drawer unit top	•	P 00.101.208.9	1 unit
600	496	ESD, for sheet-steel keyboard extension open	•	00.101.199.0	1 unit
700	596	ESD, for sheet-steel keyboard extension open	•	00.101.210.9	1 unit



MOB00298

Dimensions in mm: W = Width
H = Height
D = Depth
h = Installation height
d = Useful depth
L = Length

HU = Standard height unit, 1 HU = 44.45 mm
19" = 482.6 mm,
(ideal for 19" components in acc. with DIN 41494)
UP = Unit of packaging
kg = Weight

Conversion: 1 inch = 25.4 mm
Replace „x“ with the number of your color choice

P = assemble to order (shipped within 10 working days)

Caution: In case of larger orders, delivery times may increase.

Knürr DacoMobile® 19"

- **Color**
 - RAL 5003, sapphire blue / RAL 7035 light grey
- **Supply schedule**
 - 1 Basic rack
 - 1 Cross extrusion
- **How supplied**
 - 2 19" Extrusions
 - 10 Chassis runners
 - Part assembled

W	H	D	HU/U	h	Order no.	UP
606	1865	685	36	1600	01.316.016.2	1 unit
606	2000	685	39	1733	01.316.019.2	1 unit



MOB00402

Knürr DacoMobile® Chassis Runner Set For mounting 19" equipment

- **Material**
 - Sheet steel, zinc passivated
- **Supply schedule**
 - 2 Chassis runners
 - Mounting material
- **Dimensions**
 - Length:**
 - 200 mm
 - Thickness:**
 - 2 mm
 - Angle bracket:**
 - 44 x 50 mm

W	H	D	Order no.	UP
50	44	200	01.316.026.7	1 unit



MOB00336

Mobile Equipment Carriers

Knürr MetraMobil®

Page 21 to 27



Knürr MetraMobil®
Strong points

• **Variability**

- A completely individual cart can be configured from a basic frame in 2 heights, 3 colors and 5 module components.
- Ideal height adjustment with variable height setting of the shelves

• **Stability**

- High load rating:
 up to 600 N per worktop
 up to 2200 N for full trolley
- Distributed load drawer extension up to 100 N
- High stability with advanced sheet steel construction

• **Functionality**

- Suitable for the most varied areas of application: PC or printer station, IT-cart, logistics or laboratory

• **Cable management**

- Safe cable routing with two cable ducts integrated in the extrusion
- Clear and orderly cable management with integration of accessory parts, e.g. a socket strip, which can be mounted on the extrusion.

• **Well-thought out solutions**

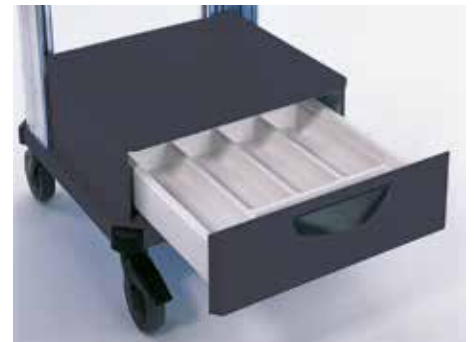
- Vision and contact protection provided by the easy "on-off" rear panel, no tools needed
- Orderly arrangement of small material with drawer module with removeable small parts tray
- Smooth running 3/4 pull-out "Quattro" guide

• **ESD versions**

- Safety and protection in demanding ESD environments provided by ESD castors and ESD powder coating.



MET 20000



MET00034



MET00003



MET00037

Knürr MetraMobil® Basic Configurations

- Replace „x“ with the number of your color choice.
- **Final digit of order number .1:**
 - Worktops, RAL 7035, light grey
 - Extrusions, RAL 9006, white aluminium
 - Handle, RAL 9011, graphite black
- **Final digit of order number .2:**
 - Worktops, NCS 3060 R80B, blue
 - Extrusions, RAL 9006, white aluminium
 - Handle, RAL 9011, graphite black
- **Final digit of order number .9:**
 - Worktops, RAL 7016, anthracite grey
 - Extrusions, RAL 9006, white aluminium
 - Handle, RAL 9011, graphite black
- **ESD versions:**

Note: ESD only in color variant .1 (light grey)

Final digit of order number .1:

 - Worktops, RAL 7035, antistatic light grey
 - Extrusions, RAL 9006, white aluminium
 - Handle, RAL 7021, dark grey, antistatic
- **Design your individual trolley as follows:**
 1. Select height of the basic trolley
 2. Select ESD or standard model
 3. Pick out additional modules
- The basic model can be easily expanded with system components (bear ESD in mind!)
- Worktops: set at any height
- **Dimensions**
 - Height, 900 mm or 1120 mm
 - Full width, 550 mm
 - Useful width, 500 mm
 - Depth, 580 mm
 - Useful depth, 440 mm
 - Castor Ø 125 mm
- **Load rating**

Basic rack:

 - 2200 N

Per castor:

 - 750 N

Surface load per worktop:

 - 600 N
- **Material/Finish**

Basic rack consists of:

 - Extrusions: extruded aluminium, powder-coated
 - Worktops: sheet steel, powder-coat textured

Handle:

 - aluminium tube, powder-coat textured
- **Supply schedule, Basic Configuration**
 - a. Height 900 mm**
 - 1 Basic rack
 - 1 Worktop with handle
 - 1 Worktop
 - b. Height 1120 mm**
 - 1 Basic rack
 - 1 Worktop with handle
 - 2 Worktops
- **Supply schedule Metramobil Light**
 - 1 Basic rack
 - 1 Worktop with handle
- **How supplied**
 - Modules for self installation



Metramobil Basic height 1120 mm

MET00018



Metramobil Basic height 900 mm

MET00014



Metramobil light

MET20008

W	H	D	w	d	Model	ESD	Order no.	UP
550	900	580	500	440		(,1)	00.709.000.x	1 unit
550	900	580	500	440		•	00.709.100.1	1 unit
550	900	580	500	440	Metramobil light	(,1)	00.709.200.x	1 unit
								1 unit
550	1120	580	500	440		(,1)	00.711.000.x	1 unit
550	1120	580	500	440		•	00.711.100.1	1 unit
550	1120	580	500	440	Metramobil light	(,1)	00.711.200.x	1 unit

Dimensions in mm: W = Width
H = Height
D = Depth
h = Installation height
d = Useful depth
L = Length

HU = Standard height unit, 1 HU = 44,45 mm
19" = 482,6 mm,
(ideal for 19" components in acc. with DIN 41494)
UP = Unit of packaging
kg = Weight

Conversion: 1 inch = 25,4 mm
Replace „x“ with the number of your color choice

= assemble to order (shipped within 10 working days)

Caution: In case of larger orders, delivery times may increase.

Knürr MetraMobil® 900

- Replace „x“ with the number of your color choice.
- **Final digit of order number .1:**
 - Worktops, RAL 7035, light grey
 - Extrusions, RAL 9006, white aluminium
 - Handle, RAL 9011, graphite black
- **Final digit of order number .2:**
 - Worktops, NCS 3060 R80B, blue
 - Extrusions, RAL 9006, white aluminium
 - Handle, RAL 9011, graphite black
- **Final digit of order number .9:**
 - Worktops, RAL 7016, anthracite grey
 - Extrusions, RAL 9006, white aluminium
 - Handle, RAL 9011, graphite black
- Worktops: set at any height
- Castor: Ø 125 mm

- **Material/Finish**

Basic rack consists of:

 - Extrusions: extruded aluminium, powder-coated
 - Worktops: sheet steel, powder-coat textured

Handle:

 - aluminium tube, powder-coat textured
- **Supply schedule**
 - 1 Basic rack
 - 1 Worktop with handle
 - 1 Worktop
 - 1 Keyboard extension with mouse table
- **How supplied**
 - Modules for self installation



MET00058

- **Load rating**

Basic rack:

 - 2200 N

Per castor:

 - 750 N

Surface load per worktop:

 - 600 N

W	H	D	w	d		Order no.	UP
550	900	580	500	440	(.1)	00.709.002.x	1 unit

Knürr MetraMobil® 1120

- Replace „x“ with the number of your color choice.
- **Final digit of order number .1:**
 - Worktops, RAL 7035, light grey
 - Extrusions, RAL 9006, white aluminium
 - Handle, RAL 9011, graphite black
- **Final digit of order number .2:**
 - Worktops, NCS 3060 R80B, blue
 - Extrusions, RAL 9006, white aluminium
 - Handle, RAL 9011, graphite black
- **Final digit of order number .9:**
 - Worktops, RAL 7016, anthracite grey
 - Extrusions, RAL 9006, white aluminium
 - Handle, RAL 9011, graphite black
- Worktops: set at any height
- Castor: Ø 125 mm

- **Material/Finish**

Basic rack consists of:

 - Extrusions: extruded aluminium, powder-coated
 - Worktops: sheet steel, powder-coat textured

Handle:

 - aluminium tube, powder-coat textured
- **Supply schedule**
 - 1 Basic rack
 - 1 Worktop with handle
 - 2 Worktops
 - 1 Keyboard extension with mouse table
- **How supplied**
 - Modules for self installation



MET00060

- **Load rating**

Basic rack:

 - 2200 N

Per castor:

 - 750 N

Surface load per worktop:

 - 600 N

W	H	D	w	d		Order no.	UP
550	1120	580	500	440	(.1)	00.711.002.x	1 unit

Knürr MetraMobil® 1120 with drawer module

- Replace „x“ with the number of your color choice.
- **Final digit of order number .1:**
 - Worktops, RAL 7035, light grey
 - Extrusions, RAL 9006, white aluminium
 - Handle, RAL 9011, graphite black
- **Final digit of order number .2:**
 - Worktops, NCS 3060 R80B, blue
 - Extrusions, RAL 9006, white aluminium
 - Handle, RAL 9011, graphite black
- **Final digit of order number .9:**
 - Worktops, RAL 7016, anthracite grey
 - Extrusions, RAL 9006, white aluminium
 - Handle, RAL 9011, graphite black
- Worktops: set at any height
- Castor: Ø 125 mm
- **Load rating**
 - **Basic rack:**
 - 2200 N
 - **Per castor:**
 - 750 N
 - **Surface load per worktop:**
 - 600 N
- **Material/Finish**
 - **Basic rack consists of:**
 - Extrusions: extruded aluminium, powder-coated
 - Worktops: sheet steel, powder-coat textured
 - **Handle:**
 - aluminium tube, powder-coat textured
- **Supply schedule**
 - 1 Basic rack
 - 1 Worktop with handle
 - 2 Worktops
 - 1 Drawer module
- **How supplied**
 - Modules for self installation



MET00017

W	H	D	w	d		Order no.	UP
550	1120	580	500	440	(.1)	00.711.004.x	1 unit

Dimensions in mm: W = Width
H = Height
D = Depth
h = Installation height
d = Useful depth
L = Length

HU = Standard height unit, 1 HU = 44,45 mm
19" = 482,6 mm, (ideal for 19" components in acc. with DIN 41494)
UP = Unit of packaging
kg = Weight

Conversion: 1 inch = 25,4 mm
Replace „x“ with the number of your color choice

= assemble to order (shipped within 10 working days)

Caution: In case of larger orders, delivery times may increase.

Knürr MetraMobil® Worktop

- Replace „x“ with the number of your color choice.
- **Standard versions:**
 - Final digit of order number .1:**
 - RAL 7035 light grey
 - Final digit of order number .2:**
 - NCS 3060 R80B, blue
 - Final digit of order number .9:**
 - RAL 7016 anthracite grey
- **ESD version:**
 - Note: ESD only in color variant .1 (light grey)**
 - Final digit of order number .1:**
 - RAL 7035 anti-static, light grey
- For storage and work purposes
- Variable setting between the vertical extrusions

ESD model in accordance with EN 100015

- **Supply schedule**
 - 1 Worktop
 - Mounting material
- **How supplied**
 - Flat-packed kit



MET00014

W	H	D	Model	ESD	Order no.	UP
500	25	440		(.1)	00.701.020.x	1 unit
500	25	440		•	00.701.120.1	1 unit
500	25	440	with handle	(.1)	00.701.021.x	1 unit
500	25	440	with handle	•	00.701.121.1	1 unit

Knürr MetraMobil® Anti-Slide Mat Set

Note:
Anti-slide mats are not possible at the same time with keyboard extension!

- Consists of 4 anti-slide mats
- For slide-proof storage of parts to be transported
- As scratch protection for the worktop
- **Material**
 - Industrial rubber, self-adhesive
- **Color**
 - Black
- **Supply schedule**
 - 4 Anti-slide mats
- **How supplied**
 - Flat-packed kit

ESD model

- Consisting of four anti-slide mats, ESD, self-adhesive
- **Tests**
 - ESD test in accordance with EN 100015
- **Material**
 - Industrial rubber, antistatic
- **Color**
 - Black



MET00040

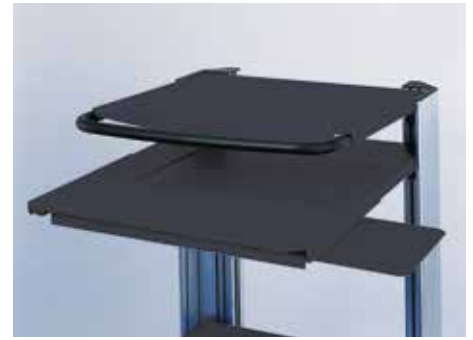
W	H	D	ESD	Order no.	UP
475		430		00.701.070.9	1 unit
475		430	•	00.701.170.9	1 unit

Knürr MetraMobil® Keyboard Extension

- Replace „x“ with the number of your color choice.
- **Standard versions:**
 - Final digit of order number .1:**
 - RAL 7035 light grey
 - Final digit of order number .2:**
 - NCS 3060 R80B, blue
 - Final digit of order number .9:**
 - RAL 7016 anthracite grey
- **ESD version:**
 - Note: ESD only in color variant .1 (light grey)**
 - Final digit of order number .1:**
 - RAL 7035 anti-static, light grey
- For mounting on Knürr MetraMobil® worktop and worktop with handle
- With side mouse table, left/right
- Extension 200 mm

ESD model in accordance with EN 100015

- **Supply schedule**
 - 1 Keyboard extension
 - Mounting material
- **How supplied**
 - Flat-packed kit
- **Note**
 - With worktop with keyboard extension, an anti-slide mat is not possible!



MET00035

W	H	D	ESD	Order no.	UP
505	45	200	 (.1)	00.701.060.x	1 unit
505	45	200	•	00.701.160.1	1 unit

Knürr MetraMobil® Drawer Module

- Replace „x“ with the number of your color choice.
- **Standard versions:**
 - Final digit of order number .1:**
 - RAL 7035 light grey
 - Final digit of order number .2:**
 - NCS 3060 R80B, blue
 - Final digit of order number .9:**
 - RAL 7016 anthracite grey
- **ESD version:**
 - Note: ESD only in color variant .1 (light grey)**
 - Final digit of order number .1:**
 - RAL 7035 anti-static, light grey
- For holding small material
- Including divider set
- **Material/Finish**
 - Sheet steel, powder-coat textured

ESD model in accordance with EN 100015

- **Supply schedule**
 - 1 Drawer module
 - Mounting material
- **How supplied**
 - Flat-packed kit




MET00017

W	H	D	ESD	Order no.	UP
500	165	440	 (.1)	00.701.001.x	1 unit
505	165	440	•	00.701.101.1	1 unit

Dimensions in mm: W = Width
H = Height
D = Depth
h = Installation height
d = Useful depth
L = Length
HU = Standard height unit, 1 HU = 44,45 mm
19" = 482,6 mm,
(ideal for 19" components in acc. with DIN 41494)
UP = Unit of packaging
kg = Weight

Conversion: 1 inch = 25,4 mm
Replace „x“ with the number of your color choice

 = assemble to order (shipped within 10 working days)

Caution: In case of larger orders, delivery times may increase.

Knürr MetraMobil® Rear Panel

- Replace „x“ with the number of your color choice.
- **Standard versions:**
 - Final digit of order number .1:**
 - RAL 7035 light grey
 - Final digit of order number .2:**
 - NCS 3060 R80B, blue
 - Final digit of order number .9:**
 - RAL 7016 anthracite grey
- **ESD version:**
 - Note: ESD only in color variant .1 (light grey)**
 - Final digit of order number .1:**
 - RAL 7035 anti-static, light grey
- With cable entry
- ESD model in accordance with EN 100015
- **Material/Finish**
 - Sheet steel, powder-coat textured
- **Supply schedule**
 - 1 Rear panel
 - Mounting material
- **How supplied**
 - Flat-packed kit



MET00033

W	H	D	ESD	Order no.	UP
380	900		(1)	00.701.010.x	1 unit
380	1120			00.701.011.x	1 unit
380	900		•	00.701.110.1	1 unit
380	1120		•	00.701.111.1	1 unit

Knürr MetraMobil® Cable Management Set

- **Consists of:**
 - Di-Strip socket strip, 4-way, without switch
 - Strain relief
 - Two cable reel elements
- **Supply schedule**
 - 1 Cable management set
 - Mounting material
- **How supplied**
 - Flat-packed kit

Order no.	UP
00.701.050.1	1 unit



MET00037

Knürr MetraMobil® Castor Set

- Load rating, 750 N per castor, Ø 125 mm
- **Color**
 - RAL 9011, graphite black
- **Supply schedule**
 - 4 smooth-running castors,
 - 2 with brake

ESD	Order no.	UP
	00.701.965.9	1 unit
•	00.128.975.9	1 unit



MET00021

Mobile Equipment Carriers

Knürr SynergyCart® Advanced

Page 29 to 35



Knürr SynergyCart® Advanced Strong points

• The ergonomical equipment carrier

- Mobile, height-adjustable LCD workstation
- Supports computers, bar code scanners and printers
- Test trolley in production / workshop
- Warehouse picking, scanner carts
- Ideal for automotive and industrial projects where small space-saving trolleys with cable management are required
- Fully assembled and ready for use
- Tested according to the latest standards and regulations
- Stable, attractive base in 2 versions:
 - Synergy Cart Advanced
 - Synergy Cart Advanced MetraLine

• Characteristics

- Flexible height adjustable by gas pressure column - 750-1040 mm
- Comfortable working in sitting or standing position

- Easy handling with in the worktop integrated handles
- Ergonomic lever for safe and comfortable height adjustment
- Spacious and stable worktop, made of 15 mm HPL solid core material (width 695 mm, depth 570 mm) for loads up to 16kg
- Either with single or double steering rollers
- Easy movement on uneven floors or above doorsills through \varnothing 125 mm smooth running castors
- Fixation by two castors with locking mechanism
- No scratches on doors, walls and furniture due to integrated plastic bumper caps
- Simple, individual assembly of accessory components, e.g. drawers and storage shelves on the vertical aluminum profile
- User-friendly cable management with plenty of space for cables, sockets and transformers



SYN20210



SYN20213

Dimensions in mm:

W = Width	HU = Standard height unit, 1 HU = 44,45 mm
H = Height	19" = 482,6 mm, (ideal for 19" components)
D = Depth	h = Installation height in acc. with DIN 41494)
h = Installation height	d = Useful depth
d = Useful depth	L = Length
L = Length	UP = Unit of packaging
	kg = Weight

Conversion: 1 inch = 25,4 mm

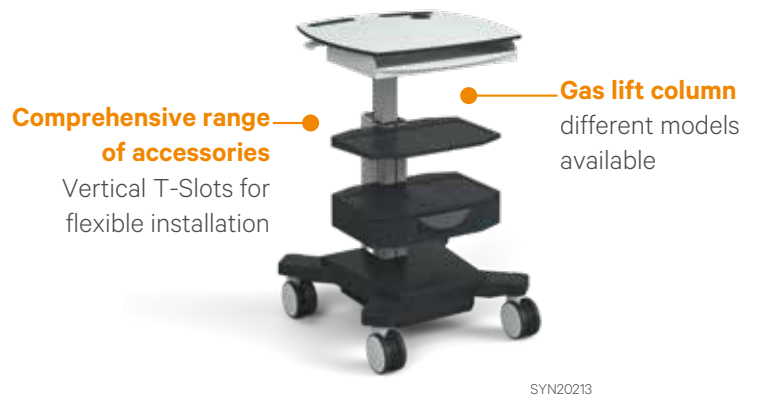
Replace „x“ with the number of your color choice

SynergyCart

Advanced Metra Line

SynergyCart

Advanced



Individual Project Solutions – Contact Us!

Many application scenarios demand a project specific solution.

When planning, manufacturing, and assembling your individual requirements, Knürr takes multiple factors into account, including your personal requirements as

well as legal guidelines. Industrial designers and Technicians closely cooperate at our product design department to bring form and function in line. The resulting designs are regularly tested by means of 3D-CAD models and you are welcome to incorporate

your ideas any time. Any required prototypes are manufactured by experts who translate your wishes and ideas into a real product.

Knürr SynergyCart® Advanced

- Base unit in Synergy design
 - Large leg space
 - Double castors in Ø 125mm
- **Finish**
 - .1 RAL 7035, light grey
 - .9 RAL 7021, dark grey
 - **Supply schedule**
 - 1 base unit with gas lift column and aluminum profile cover
 - 4 Double castors (2 lockable)
 - 1 worktop with integrated handles
 - **How supplied**
 - Fully assembled

W	H	D	d	Order no.	UP
				00.705.510.x	1 unit



MOB20135

Knürr SynergyCart® Advanced Metra Line

- Large base unit for different equipment like printers
 - Smooth running castors in Ø 125mm
- **Finish**
 - .1 RAL 7035, light grey
 - .9 RAL 7021, dark grey
 - **Supply schedule**
 - 1 base unit with gas lift column and aluminum profile cover
 - 4 castors (2 lockable)
 - 1 worktop with integrated handles
 - **How supplied**
 - Fully assembled

W	H	D	d	Order no.	UP
				00.705.500.x	1 unit



MOB20136

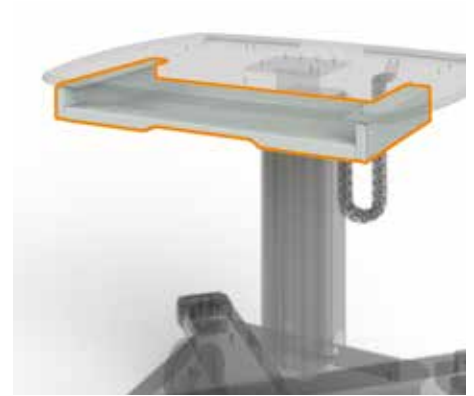
Dimensions in mm: W = Width
H = Height
D = Depth
h = Installation height
d = Useful depth
L = Length

HU = Standard height
unit. 1 HU = 44,45 mm
19" = 4826 mm,
(ideal for 19" components
in acc. with DIN 41494)
UP = Unit of packaging
kg = Weight

Conversion: 1 inch = 25,4 mm
Replace „x“ with the number of your
color choice

Knürr SynergyCart® Keyboard Drawer

- Creates space on your worktop
 - Legroom is always granted
 - Keyboard drawer latches in closed and extended position
 - Easy retrofit
- **Material / Surface**
 - Sheet steel, powder-coated
 - **Color**
 - RAL7035 light grey
 - **Dimensions**
 - Width: 536 mm
 - Height: 56 mm
 - Depth: 276 mm
- **Max. usable dimensions**
 - Width: 500 mm
 - Height: 45 mm
 - Depth: 218 mm
 - **Supply schedule**
 - 1 Keyboard drawer
 - Mounting material
 - **How supplied**
 - pre-assembled

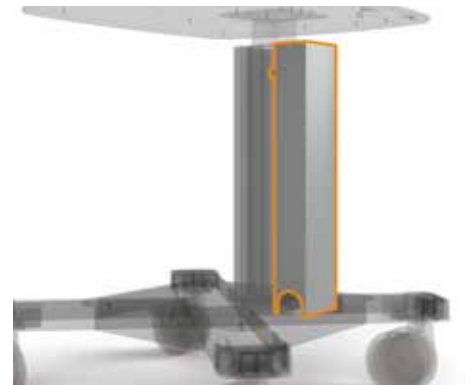


MOB20138

Model	Order no.	UP
Keyboard drawer	00.705.550.1	1 unit

Knürr SynergyCart® Cable Duct

- Toolless installation
 - Clean cabling
 - Ready for installation of Knürr DI-Strip PDU's (4 sockets)
- **Material / Surface**
 - RAL 9006 White aluminum
 - **Supply schedule**
 - 1 Cable Duct



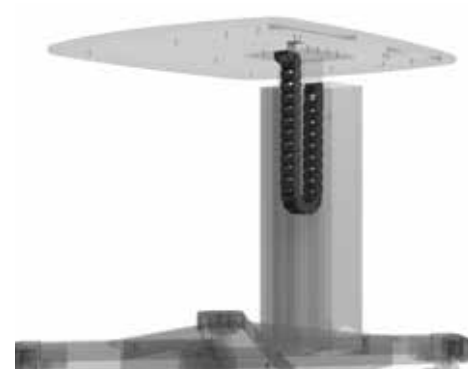
MOB20139

Model	Order no.	UP
Cable Duct	00.705.555.9	1 unit

Knürr SynergyCart[®] Cable Chain

- Non pinch and anti tangle cable guiding
- Defined cable radii
- **Material / Surface**
 - Plastic black
- **Supply schedule**
 - 1 Cable Chain
- **Note**
 - Cable chain installation works only together with cable duct

Model	Order no.	UP
Cable Chain	00.705.560.9	1 unit

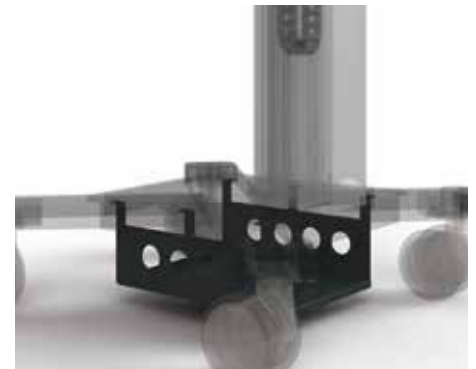


MOB20140

Knürr SynergyCart[®] Transformer Tray

- Low Center of Gravity
- Securely holds transformers, batteries etc.
- Lateral and bottom cooling vents
- **Material / Surface**
 - .1: RAL 7035 light grey
 - .9: RAL 7021 dark grey
- **Dimensions (usable)**
 - Width 290 mm,
 - Depth 320 mm
 - Height 104 mm
- **Supply schedule**
 - 1 Transformer Tray

Model	Order no.	UP
Knürr SynergyCart [®] Advanced Metra Line	00.705.565.x	1 unit
Knürr SynergyCart [®] Advanced	00.705.570.x	1 unit



MOB20141

Dimensions in mm: W = Width
H = Height
D = Depth
h = Installation height
d = Useful depth
L = Length

HU = Standard height
unit, 1 HU = 44.45 mm
19" = 482.6 mm,
(ideal for 19" components
in acc. with DIN 41494)
UP = Unit of packaging
kg = Weight

Conversion: 1 inch = 25.4 mm
Replace „x“ with the number of your
color choice

Monitor Arms

- Monitor arms for mounting flat screens with the 75 and 100 mm VESA mounting
- With cable management
- **Supply schedule**
 - 1 flat screen support
 - Type E, F and G come with height adjustment plate
 - Mounting material
- **How supplied**
 - Flat-packed kit
- **Finish / Material Type D-G**
 - Swivel arm: die-cast aluminium
 - Adapter plates: sheet steel
 - Gas spring arm covers: plastic
 - Metal parts: powder-coated, RAL 9006, White aluminum, smooth
 - Gas spring arm housing – type B/C:
 - Plastic, light grey

Model	Height adjustment plate	Load-bearing capacity	Order no.	UP
Type D, for Pole		6 Kg	01.316.250.9	1 unit
Type E, for Pole	•	6 Kg	01.316.251.9	1 unit
Type F, for Pole	•	6 Kg	01.316.252.9	1 unit
Type G, for Pole (2x180mm)	•	6 Kg	01.316.253.9	1 unit
Single connector			01.316.224.9	1 unit
Add on Monitor Poles (H400)			01.316.233.9	1 unit

• **Please note**

- Monitor arms for monitor poles come without mounting adaptors for functional rails.
- In order to install with monitor poles, please also order single connector.
- **Please observe the leverage ratio and load bearing capacity from the following table of add-on monitor posts.**



Type D

CIC20031



Type E

CIC20032



Type F

CIC20033



Type G

CIC20034

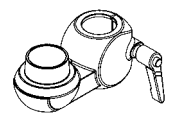


Single connector

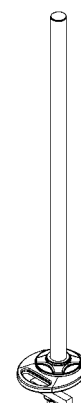
KON20086

Load bearing matrix for add-on monitor posts

Maximum weight per monitor (kg)	Type D (short)	Type E (180 mm)	Type F (250mm)	Type G (360mm)
Height 400 1x single connector	6 kg	6 kg	6 kg	6 kg



Single connector



ACC20029

Knürr SynergyCart® Drawer

- Can be ergonomically mounted at any height, stepless
 - With drawer safety catch against unintentional opening
- **Material**
 - **Main unit and drawer:**
 - Sheet steel, powder-coated
 - **Handle:**
 - Plastic, black
 - **Finish**
 - .1: RAL 7035 light grey
 - .9: RAL 7021 dark grey
 - **Dimensions**
 - width, 505 mm; depth, 350 mm; height, 110 mm
 - drawer width, 425 mm; depth, 265 mm; height, 90mm
 - **Load rating**
 - Housing, 10 kg; extension, 2 kg
 - **Supply schedule**
 - 1 drawer module
 - Mounting material



MOB20137

W	H	D	Order no.	UP
500	110	300	00.705.275.x	1 unit

Knürr SynergyCart® Shelf

- Can be ergonomically mounted at any height, stepless
 - Torsion-free and stable
 - With recessed surface to prevent sliding and for anti-slip mats
- **Material**
 - Sheet steel, powder-coated
 - **Finish**
 - .1: RAL 7035 light grey
 - .9: RAL 7021 dark grey
 - **Load rating**
 - 15 kg
 - **Supply schedule**
 - 1 Shelf
 - Mounting material



MOB20137

W	T	Order no.	UP
500	300	00.705.225.x	1 unit

Dimensions in mm: W = Width
H = Height
D = Depth
h = Installation height
d = Useful depth
L = Length

HU = Standard height unit, 1 HU = 44,45 mm
19" = 482,6 mm,
(ideal for 19" components in acc. with DIN 41494)
UP = Unit of packaging
kg = Weight

Conversion: 1 inch = 25,4 mm
Replace „x“ with the number of your color choice

Mobile Equipment Carriers

Knürr Cabinet Cart

Page 37 to 44



Knürr Cabinet Cart - Rollo

Strong points

• Aesthetics

- Clear lines and curved shapes for a compact and modern look
- Rear and Side panels with square hole design perforation provide additional functions, e.g. for ventilation and hook-in accessories
- Space-saving cabling area, aesthetically integrated in rear

• Functionality

- Suitable for the most varied areas of application: PC or printer station, IT-cart, logistics or laboratory as well as workshops or assembly and manufacturing applications
- Space-saving footprint (710 x 870 mm)
- Already implemented cable management

• Features

- Maximum static load rating:
 - Overall load rating of each cabinet cart: 1500 N
 - per Castor: 750N
 - Surface load of worktop: 400 N
 - Distributed load of shelf: 400 N

Material

- All Side panels, shelves, or similar are made from powder coated sheet steel
- Worktop out of high quality multi layer chipboard with HP laminate surfaces, which enable high load ratings and ensure long durability.
- Bumpers (main frame cover) out of special plastics

• Available accessories

- Toolholder
- Flat screen holder
- Handle
- Socket strip (e.g. 6 way+switch)

• Variability

- Numerous individual configurations possible
- All modules can be combined and mounted in the easiest possible way
- Simple and quick adjustment without special tools



MOB20142



MOB20143

Dimensions in mm: W = Width
 H = Height
 D = Depth
 h = Installation height
 d = Useful depth
 L = Length

HU = Standard height unit, 1 HU = 44,45 mm
 19" = 482,6 mm, (ideal for 19" components in acc. with DIN 41494)
 UP = Unit of packaging
 kg = Weight

Conversion: 1 inch = 25,4 mm
 Replace „x“ with the number of your color choice

Knürr Cabinet Cart - Rollo

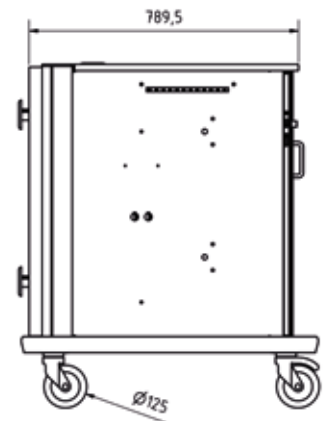
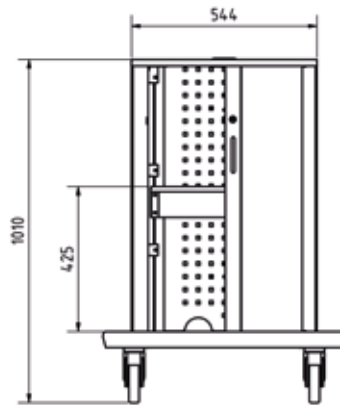
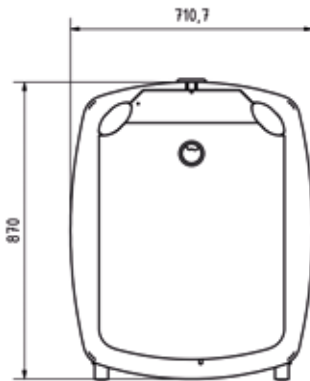
- Knürr Cabinet Cart toolholder can be mounted easily at the rear panel, via square hole design perforation
 - Lockable roller blind door
 - Vibration-free and noiseless transport with special rubber smooth-running castors Ø 125mm (4 casters, 2 lockable)
 - Bumpers, made out of special plastics
 - Cabinet Cart handles (bow shaped) can be mounted on left- and rightside
- **Color**
 - Color combination .9 (as shown in the picture)

- **Supply schedule**
 - 1 basic frame incl. 4 casters
 - 2 vertical extrusions (rear)
 - 2 side panels
 - 1 rear panel
 - 1 top cover
 - 1 shelf
- **How supplied**
 - fully assembled
- **Castors**
 - RAL9011, graphite black



MOB20142

Order no.	UP
00.713.200.9	1 unit



Dimensions in mm: W = Width
H = Height
D = Depth
h = Installation height
d = Useful depth
L = Length

HU = Standard height unit, 1 HU = 44,45 mm
19" = 482,6 mm, (ideal for 19" components in acc. with DIN 41494)
UP = Unit of packaging
kg = Weight

Conversion: 1 inch = 25,4 mm
Replace „x“ with the number of your color choice

ip = assemble to order (shipped within 10 working days)

Caution: In case of larger orders, delivery times may increase.

Hook-On Block For holding test pins

- **Material**
 - Plastic
- **Color**
 - RAL 9011, graphite black
- **Supply schedule**
 - 1 hook-on block
 - Mounting material

W	H	D		Order no.	UP
220	120	55		00.701.090.9	1 unit



MOB20155

Toolholder

- Toolholder / Accessoires
- To hook into square hole perforation of side and rear panels
- Impact and scratch-proof plastic coatings
- Base plate thickness 1,5 mm (embossed)
- Including an original locking screw
- Locking screw:
 - The polyamid locking screw prevents side and rear panels from scratches

Description	Order no.	UP
Toolholder - Double Hook 50 mm	00.713.106.0	1 unit
Machine holder - round shaped 60 mm	00.713.106.1	1 unit
Cableholder 150 mm	00.713.106.2	1 unit
Locking screw - 100 pcs	00.713.106.3	1 unit



MOB20156



MOB20157



MOB20158



MOB20159

Flat screen holder

- Monitor arms for mounting flat screens with the 75 and 100 mm VESA mounting
- **Supply schedule**
 - 1 flat screen support
 - 1 Monitor pole 400 mm
 - Mounting material
- **How supplied**
 - Flat-packed kit
- **Finish / Material**
 - Swivel arm: die-cast aluminium
 - Adapter plates: sheet steel
 - Metal parts: powder-coated, RAL 9006, White aluminum, smooth

H	Order no.	UP
400	P 01.316.229.9	1 unit



MOB20160

Handle

- Handle (bow shaped)
- **Material**
 - Aluminium, welded
- **Color**
 - RAL 9011, graphite black
- **Supply schedule**
 - 1 Handle
 - Mounting material

W	H	D	Order no.	UP
420	25	75	00.713.108.0	1 unit

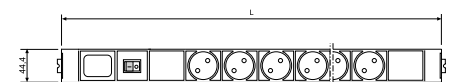


MOB20161

Socket Strip 6-way incl. Switch

- Socket Strip (Schuko) 6-way incl. switch and mounting material

L	Order no.	UP
483	00.713.110.0	1 unit

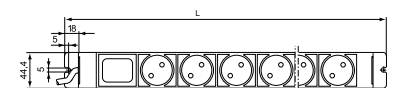


DOS20045

Socket Strip 4-way

- Socket Strip (Schuko) 4-way and mounting material

L	Order no.	UP
333	00.713.110.5	1 unit



without switch

DOS20020

Dimensions in mm: W = Width
H = Height
D = Depth
h = Installation height
d = Useful depth
L = Length

HU = Standard height unit, 1 HU = 44.45 mm
19" = 482.6 mm, (ideal for 19" components in acc. with DIN 41494)
UP = Unit of packaging
kg = Weight

Conversion: 1 inch = 25.4 mm
Replace „x“ with the number of your color choice

P = assemble to order (shipped within 10 working days)

Caution: In case of larger orders, delivery times may increase.

Mobile Equipment Carriers

Accessories

(for DacoMobile and MetraMobil)

Page 42 to 45



Spring nuts M5 and M6

- For clipping into T-slots at any position
- For mounting chassis rails and other components
- **Material**
 - Steel, St 1203
 - Spring band, Nirosta 4310
- **Supply schedule**
 - 50 spring nuts

W	H	D	Model	Order no.	UP
			M6	P 01.350.405.9	1 unit
			M5	P 01.350.431.9	1 unit



MEC00060

Universal Arm

- 3-joint with manual clamp
- With cable/hose holder
- **Supply schedule**
 - 1 universal arm incl. adapter

W	H	D	Order no.	UP
			00.306.950.1	1 unit



MOB20013

Antistatic Castor Set

- Load capacity – 90 kg
- **Color**
 - RAL 9011, graphite black
- **Supply schedule**
 - 4 smooth-running castors
 - 2 with brake

Type	Color	Diameter	Order no.	UP
ESD	Black	125	P 00.128.975.9	1 unit



MOB20083

Dimensions in mm: W = Width
H = Height
D = Depth
h = Installation height
d = Useful depth
L = Length

HU = Standard height unit, 1 HU = 44.45 mm
19" = 482.6 mm, (ideal for 19" components in acc. with DIN 41494)
UP = Unit of packaging
kg = Weight

Conversion: 1 inch = 25,4 mm
Replace „x“ with the number of your color choice

P = assemble to order (shipped within 10 working days)

Caution: In case of larger orders, delivery times may increase.

Cable routing set Mounting on the vertical extrusions

- **Material**
 - Plastic
- **Color**
 - RAL 7035, light grey
- **Supply schedule**
 - 1 cable routing set
 - Mounting material

W	H	D	Order no.	UP
	500		00.101.001.9	1 unit



MOB00331

Cable Winder For up to 5 m of cable

- **Material**
 - Plastic
- **Color**
 - RAL 7035 light grey
- **Supply schedule**
 - 2 Cable winders
 - Mounting material

W	H	D	Order no.	UP
			00.306.957.1	1 unit



MOB00338

Isolating Transformers

NTC: For switch-on peak limit are NTCs in the input power circuit before the transformer.

Basis of EC Declaration of Conformity in acc. with Directive 93/42 EEC, Annex I:

- EN60601-1, EN60601-1-1
- EN60601-1-1-2 (EMC)
- EN14971

- **Supply schedule**
 - 1 isolating transformer
 - 1 mains cable, 2.5 m with protective contact plug
- **How supplied**
 - Flat-packed kit
- **Note**
 - Additional versions available on request



MOB20099

W	H	D	Switch-on current limiter	Type	Power (W)	Order no.	UP
286	110	312	NTC	IMed 2000E	2000	00.100.842.9	1 unit

Leakage Detector Set

- Monitoring and alert unit for secondary isolation resistance
 - For use in combination with isolating transformers IMed senes
 - Precise warning of isolating failures
- **Technical data**
 - 230 VAC, IP 40

In case of defect the ELG signals an optical and acoustic warning. The resistance is monitored. If the minimum level of 50 kOhm is short fallen, an optical (LED) and acoustic (Beeper) signal is triggered. The ELG is directly connected to one of the output plugs of the IMED transformers. Its function is solely to signal isolating failures.

The ELG is exclusively approved in combination with the Noratel IMED transformers.

L	W	H	Order no.	UP
192	32	56	00.100.841.9	1 unit



MOB20100

Gas Bottle Holder Bottle holder for 5 L or 10 L bottles up to max. Ø 150 mm

- **Finish**
 - RAL 7035 light grey
- **Supply schedule**
 - 1 Bottle holder
 - 1 Retaining belt
 - Mounting material

W	H	D	Order no.	UP
			00.100.075.1	1 unit



MOB00042

Standard Rail Length, 460 mm

- **Material**
 - High-grade steel 25x10 mm
- **Supply schedule**
 - 1 Standard rail
 - Mounting material

W	H	D	Model	Order no.	UP
460	25	10	Knürr DacoMobile®	00.128.016.1	1 unit
460	25	10	Knürr EliMobil®	00.306.940.1	1 unit



MOB00232

Side Shelf For Knürr DacoMobile® and Knürr EliMobil®

- **Material**
 - Laminated 3-layer particle board
 - Folding brackets: sheet steel
 - Finish: RAL 7035 light grey
- **Delivery Schedule**
 - 1 side shelf
 - 1 set of folding brackets
 - Mounting hardware

W	H	D	Order no.	UP
300		400	00.101.250.1	1 unit



MOB20053

Dimensions in mm: W = Width
H = Height
D = Depth
h = Installation height
d = Useful depth
L = Length

HU = Standard height unit, 1 HU = 44.45 mm
19"= 482.6 mm,
(ideal for 19" components in acc. with DIN 41494)
UP = Unit of packaging
kg = Weight

Conversion: 1 inch = 25,4 mm
Replace „x“ with the number of your color choice

= assemble to order (shipped within 10 working days)

Caution: In case of larger orders, delivery times may increase.

IV-Pole

- Can only be used in combination with standard rails, BN 00.128.016.1 or B/N 00.705.068.x SynergyCart® holder for infusion stands
 - 4 Hooks
 - Chrome-plated
 - Height adjustable
 - Width, approx. 110 cm
- **Load rating**
 - 2 kg per hook
 - **Supply schedule**
 - 1 Serum holder including mounting (without standard rails)

W	H	D	Order no.	UP
			00.306.955.0	1 unit



MOB00339

Hook-On Block For holding test pins

- **Note**
 - Only for Knürr DacoMobile® and Knürr EliMobil®
- **Material**
 - Plastic
- **Color**
 - RAL 9011, graphite black
- **Supply schedule**
 - 1 hook-on block
 - Mounting material

W	H	D	Order no.	UP
			00.701.090.9	1 unit



MOB00337

Multi-Functional Extrusions for Flat Screen Supports

- For mounting between the Knürr Mobile vertical extrusions
- Sturdy and stable Knürr TFT Adapter connection
- **Note**
 - TFT adapters are not included in the supply schedule, please order separately
- **Material**
 - Extruded aluminum extrusions
 - Sheet steel mounting plates
- **Finish**
 - Metal parts – powder-coated, RAL 9006, white aluminum
- **How supplied**
 - Flat-packed kit
- **Supply schedule**
 - 2 Funktional rails
 - Mounting material

W	Model	Order no.	UP
496	Knürr DacoMobile®	00.101.007.9	1 unit
596	Knürr DacoMobile®	00.101.008.9	1 unit
500	Knürr MetraMobil®	00.701.055.9	1 unit
450	Knürr EliMobil®	00.306.980.9	1 unit
550	Knürr EliMobil®	00.306.981.9	1 unit



MOB20061

Right from the very beginning

PROJECT MANAGEMENT

Take advantage of our expert knowledge, which we have been gathering for decades in numerous customer projects in various industries.

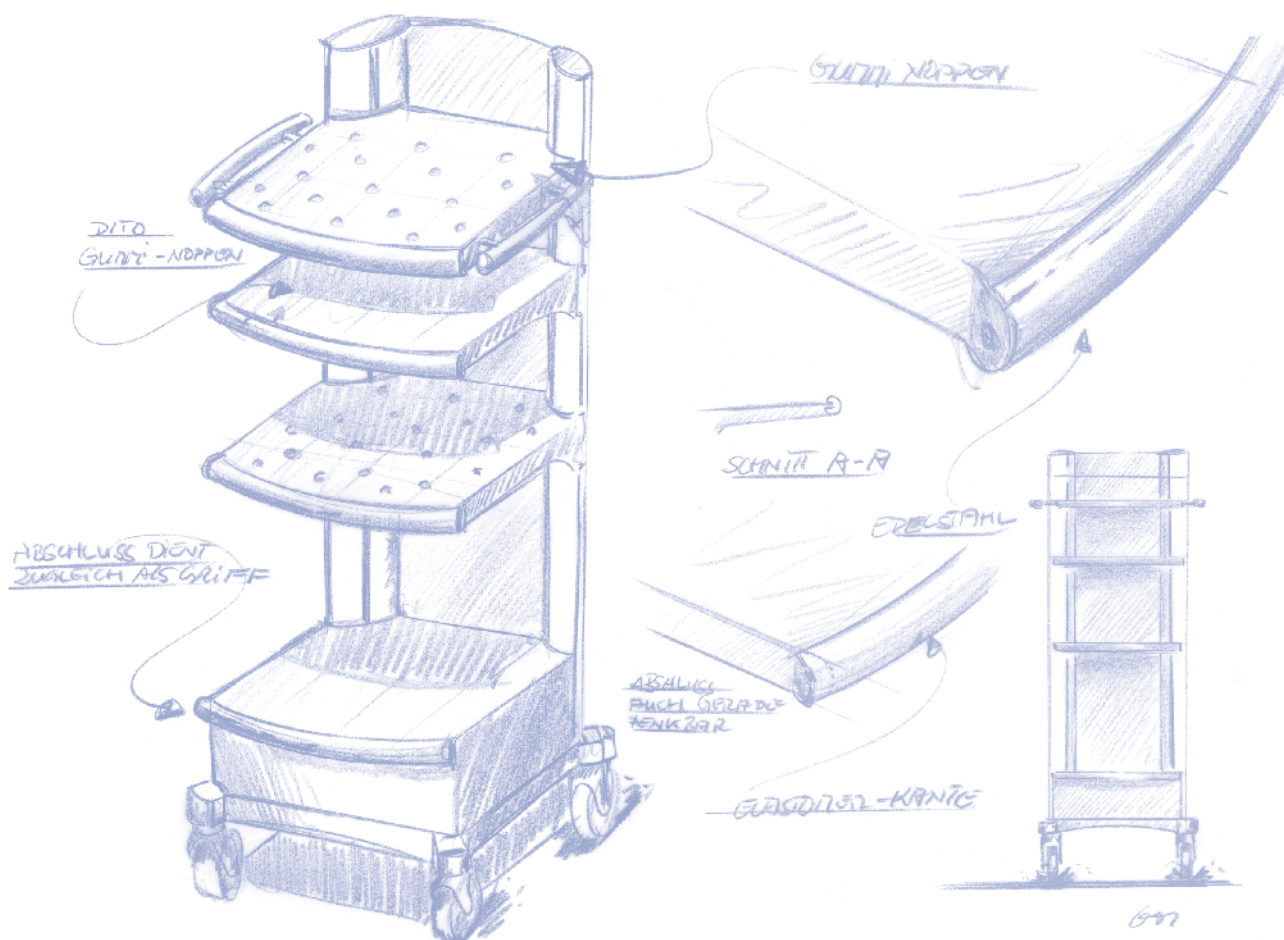
Our **project managers** are your contact partners. They are the interface to you and are responsible for the project planning in accordance with your individual requirements profile. Depending on the complexity of the task at hand, they put together a **professional team** of specialists from the most diverse disciplines. Numerous factors are incorporated – from the creation of a list of functional specifications, budgeting and deadline

planning, through to special design specifications and technical integration, right on through to compliance with standards and guidelines.

During the **product design** phase, industrial designers and technicians work closely together to harmonize form and function. With the assistance of 3D-CAD models, you check the result and can integrate your suggestions at any time.

Prototyping is also firmly in the hands of experts who are hard at work incorporating your requests and suggestions into an initial specific product.





Design and function

DESIGN

Using the most modern CAD applications, we design your products, which set new standards in terms of technology and aesthetics. On the basis of the planned details, 3-D views, design studies and volume models emerge, which represent the most realistic state of development progress and enable modifications in line with your wishes at absolutely any time.

Your company-own corporate design is also integrated with our proposals for materials and color. Ultimately we ensure a smooth technical and technological integration while complying with UL, CSA, VDE or TÜV/GS standards. Only when these stages have been fully completed, can the first prototype be produced.



Exemplary results

PRODUCTION AND LOGISTIC

After production release by the customer our sophisticated **logistics concepts** go into operation. Customized planning procedures are integrated and smoothly implemented in our **Supply Chain Management**.

We produce application-specific equipment trolleys in ultra-modern **industrial production procedures**.

And in the production phase our employees guarantee the best possible end product with their long years of experience in parts production, packaging and shipping, supported by our integrated **quality assurance procedures**.

This also includes extensive **packaging expertise**, equipped for global shipping and the toughest environmental conditions.



OEM

INDIVIDUAL SOLUTION

Our standard modules mean the possibilities for unique originals are practically unlimited.

Help us with your requests! Ask us about your original and stand out on the market with your equipment trolley with customized design, harmonized with your company image (CI/CD). Our expert **Design and Technology** Team will be happy to optimally and specifically meet all customerspecific requirements – assuming the appropriate batch sizes.

“Avail of our long years of **experience**, which we use to ergonomically, technically and optimally incorporate our mature and flexibly adjusted product platforms and components into your **individual solution.**”



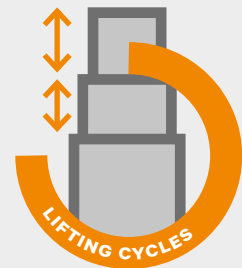
Our Quality Promise:



Highest quality is guaranteed



10 years warranty on surfaces and mechanics



Up to 5 years warranty for lifting columns with up to 10,000 lifting cycles

Ergonomically designed products and solutions from a single source

Vertiv with Knürr Control Room Infrastructure is worldwide known as competent and reliable partner for holistic control room solutions and mobile equipment carrier. The ergonomically designed products are internationally in use and convince in demanding 24h-Mission-Critical Control Room environment of multiple industrial sectors.

Learn more about Control Room Infrastructure solutions and services at www.VertivCo.com and www.technical-furniture.com.

Vertiv Integrated Systems GmbH

Knürr Control Room Infrastructure
Mariakirchener Straße 38
94424 Arnstorf
Germany
T +49 8723 28 0
F +49 8723 28 138
furniture.knuerr@vertivco.com
www.VertivCo.com
www.technical-furniture.com



VertivCo.com | George Curl Way, Southampton, SO18 2RY, VAT Number: GB188146827

© 2018 Vertiv Co. All rights reserved. Vertiv™, the Vertiv logo, Knürr DacoMobile®, Knürr MetraMobil®, Knürr SynergyCart® are trademarks or registered trademarks of Vertiv Co. All other names and logos referred to are trade names, trademarks or registered trademarks of their respective owners. While every precaution has been taken to ensure accuracy and completeness herein, Vertiv Co. assumes no responsibility, and disclaims all liability, for damages resulting from use of this information or for any errors or omissions. Specifications are subject to change without notice.