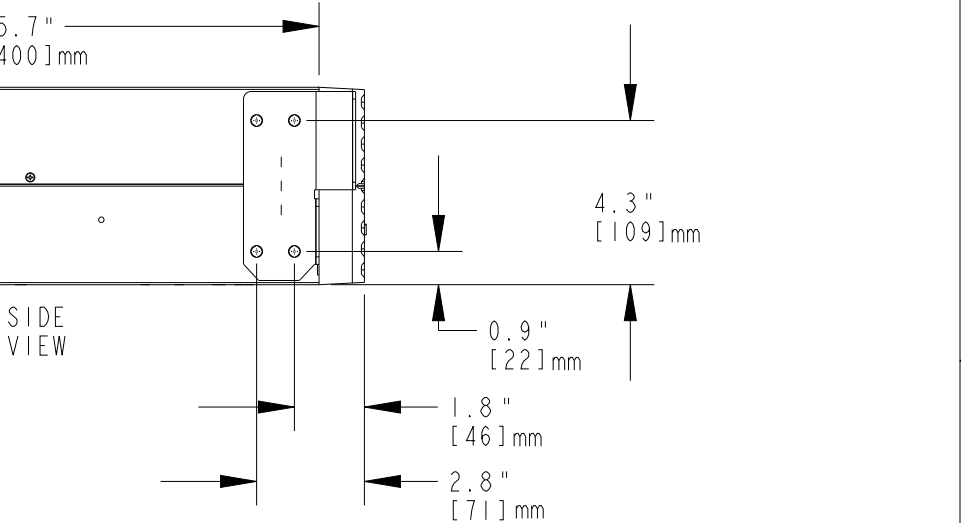


- 1 ESC/MUTE BUTTON
- 2 NAVIGATION BUTTONS
- 3 ENTER/POWER BUTTON
- 4 AC INPUT NEMA L5-30P
- 5 INPUT CIRCUIT BREAKER. 30A
- 6 EPO SWITCH
- 7 USB COMMUNICATION PORT
- 8 NETWORK/FAX/MODEM SURGE PROTECTION INPUT/OUTPUT
- 9 SNMP INTELLISLOT PORT
- 10 PROGRAMMABLE OUTPUT RECEPTACLES. NEMA 5-15/20R
- 11 NON-PROGRAMMABLE OUTPUT RECEPTACLES. NEMA 5-15/20R
- 12 NON-PROGRAMMABLE OUTPUT RECEPTACLE. NEMA L5-30R
- 13 OUTPUT CIRCUIT BREAKERS. 20A



- NOTES:
1. UNIT DIMENSIONS (WxDxH): 18.9" x 15.7" x 5.1" (3U)
(481mm x 400mm x 131mm)
 2. UNIT WEIGHT: 56.01bs (25.4kg)
 3. SHIPPING DIMENSIONS: 22.4" x 24.4" x 11.1"
(570mm x 620mm x 282mm)
 4. SHIPPING WEIGHT: 67.91bs (30.8kg)
 5. MINIMUM AIRFLOW CLEARANCE IS 4.0" (100mm)
FRONT AND REAR.

SHEET NO. 1 OF 1	DRAWN BY: DARIO A.
CO. NO. -	DESIGNED BY: -
REF DWG. -	APPROVED BY: NATHAN S.

© 2020 VERTIV GROUP CORPORATION AND PROPRIETARY. ALL RIGHTS RESERVED. VERTIV AND THE VERTIV LOGO ARE TRADEMARKS OR REGISTERED TRADEMARKS OF VERTIV GROUP CORPORATION THIS DOCUMENT (AND THE INFORMATION IT CONTAINS) ARE THE PROPERTY OF VERTIV GROUP CORPORATION BY ACCEPTING IT INTO YOUR POSSESSION, YOU AGREE THAT YOU WILL KEEP THIS DOCUMENT AND ALL INFORMATION CONTAINED HEREIN IN STRICTEST CONFIDENCE AND WILL NOT COPY, RETRANSMIT USE (EXCEPT SOLELY FOR THE BENEFIT OF VERTIV GROUP CORPORATION), SELL, LEND, OR OTHERWISE DISPOSE OF SAME, DIRECTLY OR INDIRECTLY, WITHOUT THE EXPRESS WRITTEN PERMISSION OF VERTIV GROUP CORPORATION, AND THIS DOCUMENT SHALL BE RETURNED TO VERTIV GROUP CORPORATION IMMEDIATELY UPON REQUEST.

TITLE
**OUTLINE DRAWING
 PSIS L-ION SHORT DEPTH 3kVA
 120VAC RACK UPS**

DWG. NO. PSIS-3000SRT120LI-00
DATE (LATEST REV.) 8/12/2021
REVISION 0
1050 DEARBORN DR P.O. BOX 29186 COLUMBUS, OH 43229

