



VERTIV™ CXE EXX SERIES



TABLE OF CONTENTS

**Note: Click on the page number below to jump to that page.
To return to the Table of Contents, click on the header of any page.**

- Cabinet Overview **3**
- SCX Series **4**
- UNX Series **15**
- Annex Series **20**
- 40-Type Series **22**
- EZ Series **35**
- Accessories **37**

VERTIV™ CXE EXX SERIES

Description

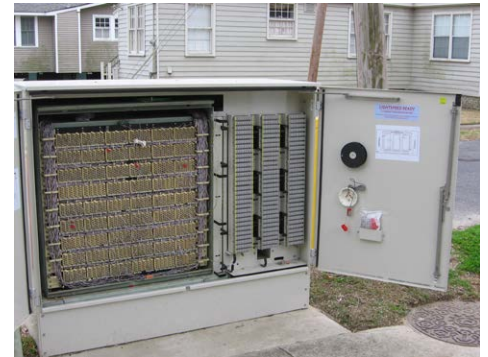
The Vertiv™ CXE EXX Series allows existing pad-mounted cross-connect cabinets to be expanded without disrupting existing cable connections and jumpers. This is accomplished by unbolting the grill and removing the original shell. A new cabinet exterior is then installed and the original grill is re-bolted onto the new cabinet. An EZ model is also available for 1800, 2700 and 3600 pair double access stubbed cabinets that provides space for new cable entrances and splicing, eliminating the need to remove the original shell.

All expander cabinets are equipped with RLS terminal blocks terminated with connectors for field splicing.

- Saves 50% to 70% over traditional cabinet replacements
- No service interruptions or circuit downtime
- Simplified split cabinet base
- RLS50 self-strip terminal blocks included, meeting 1" tight twist (Cat5) performance
- Industry standard mounting centers (37.88" x 8.5")

Application

The Vertiv CXE EXX Series is designed for expansion of existing cross-connect enclosures and overlay of DSL onto existing copper networks.



Cabinet Overview

EQUIPPED PAIR COUNT	MAXIMUM CAPACITY											
	400 pair	1700 pair	1800 pair	2400 pair	2600 pair	2700 pair	3000 pair	3600 pair	4500 pair	4800 pair	5400 pair	7200 pair
400 pair	ANNEX											
800 pair		40-TYPE			40-TYPE							
900 pair			SCX									
			40-TYPE									
1200 pair			40-TYPE	40-TYPE								
1500 pair						SCX						
1800 pair						SCX		SCX				
						SCX		40-TYPE			40-TYPE	
						40-TYPE		EZ				
						EZ						
2400 pair							UNX				UNX	
2700 pair								SCX	40-TYPE	SCX	SCX	
								40-TYPE	EZ		40-TYPE	
3600 pair										SCX	UNX	
											40-TYPE	
											40-TYPE	40-TYPE
5400 pair											EZ	
												UNX

Note: Click on a page number above to jump to that page.

= Single to Double Access Cabinet = Double to Double Access Cabinet

SCX SERIES

Description

The SCX Series of expandable cross connect cabinets are legacy enclosures originally equipped with BT25 screw-down quiet-front blocks in need of expansion and tight twist blocks.

- Hinged center feed swing-out grills

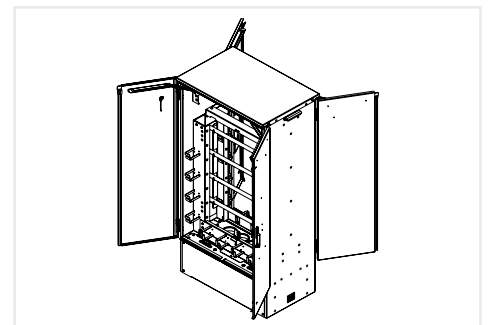
Ordering Information

CATALOG NO.	PART NO.	DESCRIPTION	REPLACEMENT SHELL	DIMENSIONS* (H X W X D)	BLOCK LAYOUT
EEXP9SS/18DSNS	F1009856	Expands 900S to 1800D		Fig. 1a	Fig. 1b
ESCXHR2RLS	F1009857	Expands 1500S to 3000D	A	Fig. 2a	Fig. 2b
ESCXHR3RLS	F1009858	Expands 1800S to 2700D	A	Fig. 3a	Fig. 3b
ESCXHR4RLS	F1009859	Expands 1800S to 3600D	A	Fig. 4a	Fig. 4b
ESCXHR5RLS	F1009860	Expands 2700D to 3600D	B	Fig. 5a	Fig. 5b
ESCXHR6RLS	F1009861	Expands 1800D to 2700D	C	Fig. 6a	Fig. 6b
EEXP36DS/48DSNS	F1009862	Expands 3600D to 4800D		Fig. 7a	Fig. 7b
ESCXHR8RLS	F1009863	Expands 2700D to 4800D		Fig. 8a	Fig. 8b
ESCXHR9RLS	F1009854	Expands 2700D to 5400D		Fig. 9a	Fig. 9b
ESCXWR1RLS	F1009864	Expands 900S to 1800D		Fig. 1a	Fig. 1b
ESCXWR2RLS	F1009865	Expands 1500S to 3000D	A	Fig. 2a	Fig. 2b
ESCXWR3RLS	F1009866	Expands 1800S to 2700D	A	Fig. 3a	Fig. 3b
ESCXWR4RLS	F1009867	Expands 1800S to 3600D	A	Fig. 4a	Fig. 4b
ESCXWR5RLS	F1009868	Expands 2700D to 3600D CF	D	Fig. 15a	Fig. 5b
ESCXWR6RLS	F1009869	Expands 1800D to 2700D CF	D	Fig. 16a	Fig. 6b
EEXP36DS/48DSS	F1009870	Expands 3600D to 4800D CF	E	Fig. 17a	Fig. 7b
EEXP27DS/48DSS	F1009871	Expands 2700D to 4800D CF	E	Fig. 18a	Fig. 8b
EEXP27DS/54DSS	F1009855	Expands 2700D to 5400D CF	E	Fig. 19a	Fig. 9b
ESCXWR7XRLS	F1010486	Expands previously expanded 3600D to 5400D	E	Fig. 17a	Fig. 7b

* Approximate dimensions. See drawing for exact measurement.

Replacement Shells for SCX Series Expanders

CATALOG NO.	PART NO.	SHELL CODE
SCXHSRH3	F080650	A
SCXHDRH5	F080652	B
CABSHLLRETROFIT4X12	F1008135	C
SCXWDRH5	F080658	D
SCXWR8CABW	F1010414	E



Ordering Matrix – SCX Series Cabinets

DESCRIPTION	VALUE	VALUE
Cabinet Type	SCX =	BT25-type cabinet using Cat3 blocks (replaced with ESCX)
	ESCX =	Enhanced BT25-type cabinet for tight twist blocks
Cable Entrance	HR =	For use on non-stubbed (harness type) cabinet
	WR =	For use on stubbed cabinet
Pair Count	1 =	Expands 900-pair single to 1800-pair double
	2 =	Expands 1500-pair single to 3000-pair double
	3 =	Expands 1800-pair single to 2700-pair double
	4 =	Expands 1800-pair single to 3600-pair double
	5 =	Expands 2700-pair double to 3600-pair double
	6 =	Expands 1800-pair double to 2700-pair double
	7 =	Expands 3600-pair double to 4800-pair double
	7x =	Expands previously expanded 2700-pair to 3600-pair double to 5400-pair double
	8 =	Expands 2700-pair double to 4800-pair double
9 =	Expands 2700-pair double to 5400-pair double	
Block Type	RLS =	RLS50 tight twist terminal blocks

Tight Twist Block Cross Reference – SCX Series Cabinets

Catalog No.	Part No.	Cat3 Block	CATALOG NO.	PART NO.	TIGHT TWIST BLOCK
SCX Series Cabinets			SCX Series Cabinets		
SCXHR1RLS	F1007178	P71590Z	EEXP9SS/18DSNS	F1009856	545890
SCXHR2RLS	F1007179	P71590Z	ESCXHR2RLS	F1009857	545890
SCXHR3RLS	F1007180	P71590Z	ESCXHR3RLS	F1009858	545890
SCXHR4RLS	F1007181	P71590Z	ESCXHR4RLS	F1009859	545890
SCXHR5RLS	F1007182	P71590Z	ESCXHR5RLS	F1009860	545890
SCXHR6RLS	F1007183	P71590Z	ESCXHR6RLS	F1009861	545890
SCXHR7RLS	F1007184	P71590Z	EEXP36DS/48DSNS	F1009862	545890
SCXHR8RLS	F1007185	P71590Z	ESCXHR8RLS	F1009863	545890
New		P71590Z	ESCXHR9RLS	F1009854	545890
SCXWR1RLS	F1007186	P71590Z	ESCXWR1RLS	F1009864	545890
SCXWR2RLS	F1007187	P71590Z	ESCXWR2RLS	F1009865	545890
SCXWR3RLS	F1007188	P71590Z	ESCXWR3RLS	F1009866	545890
SCXWR4RLS	F1007189	P71590Z	ESCXWR4RLS	F1009867	545890
SCXWR5RLS	F1007190	P71590Z	ESCXWR5RLS	F1009868	545890
SCXWR6RLS	F1007191	P71590Z	ESCXWR6RLS	F1009869	545890
SCXWR7RLS	F1007192	P71590Z	EEXP36DS/48DSS	F1009870	545890
SCXWR8RLS	F1007193	P71590Z	EEXP27DS/48DSS	F1009871	545890
New		P71590Z	EEXP27DS/45DSS	F1009855	545890
New		P71590Z	ESCXWR7XRLS	F1010406	545890

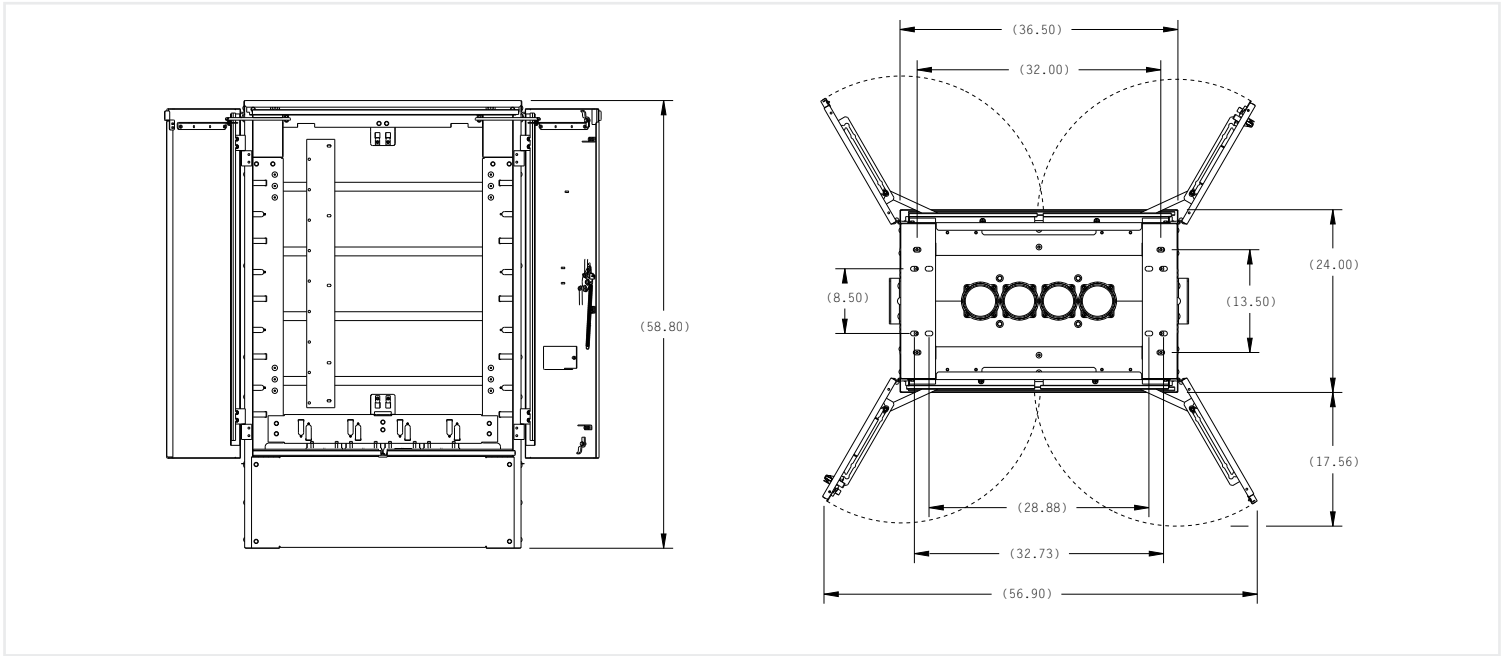


Figure 1a – Dimensions [SCX Series 900S to 1800D]

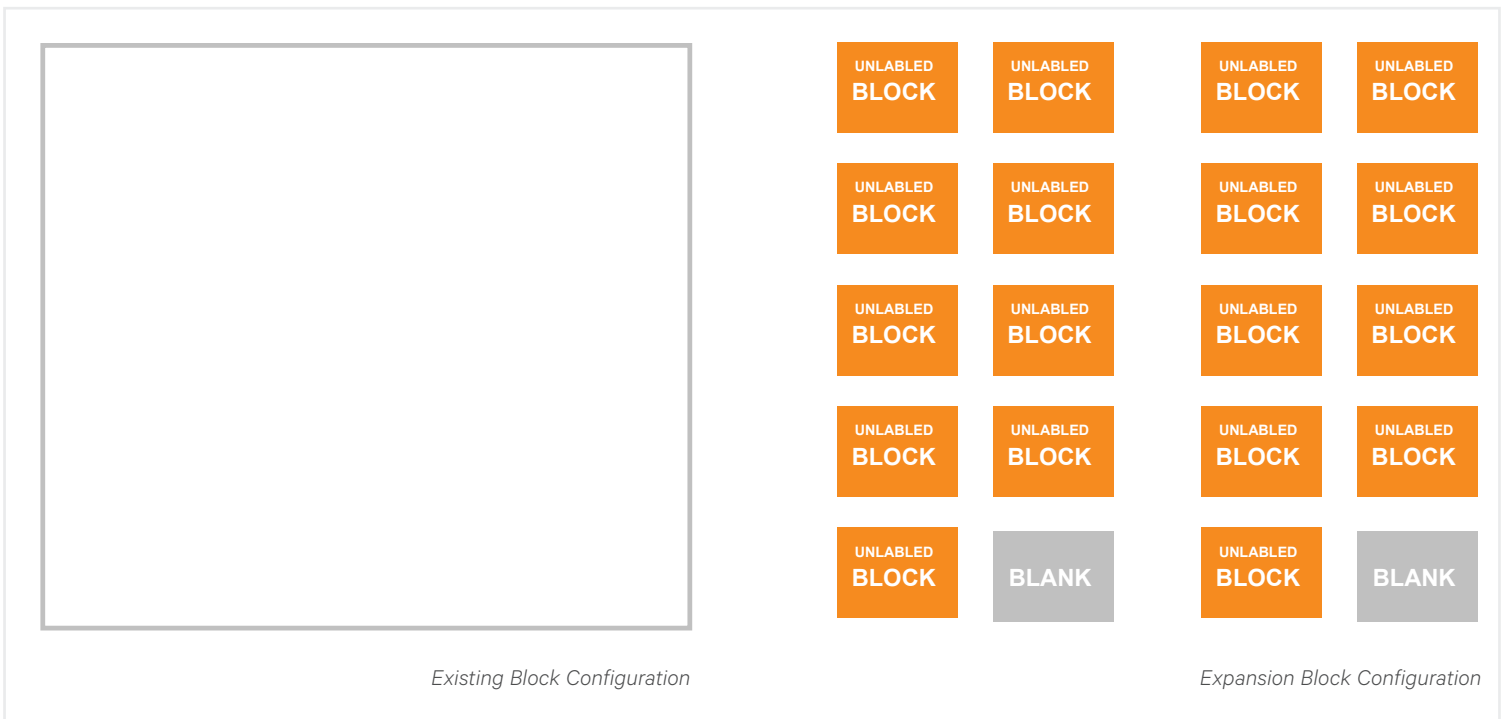


Figure 1b – Block Layout [SCX Series 900S to 1800D, 500-pair grills (2 x 5)]

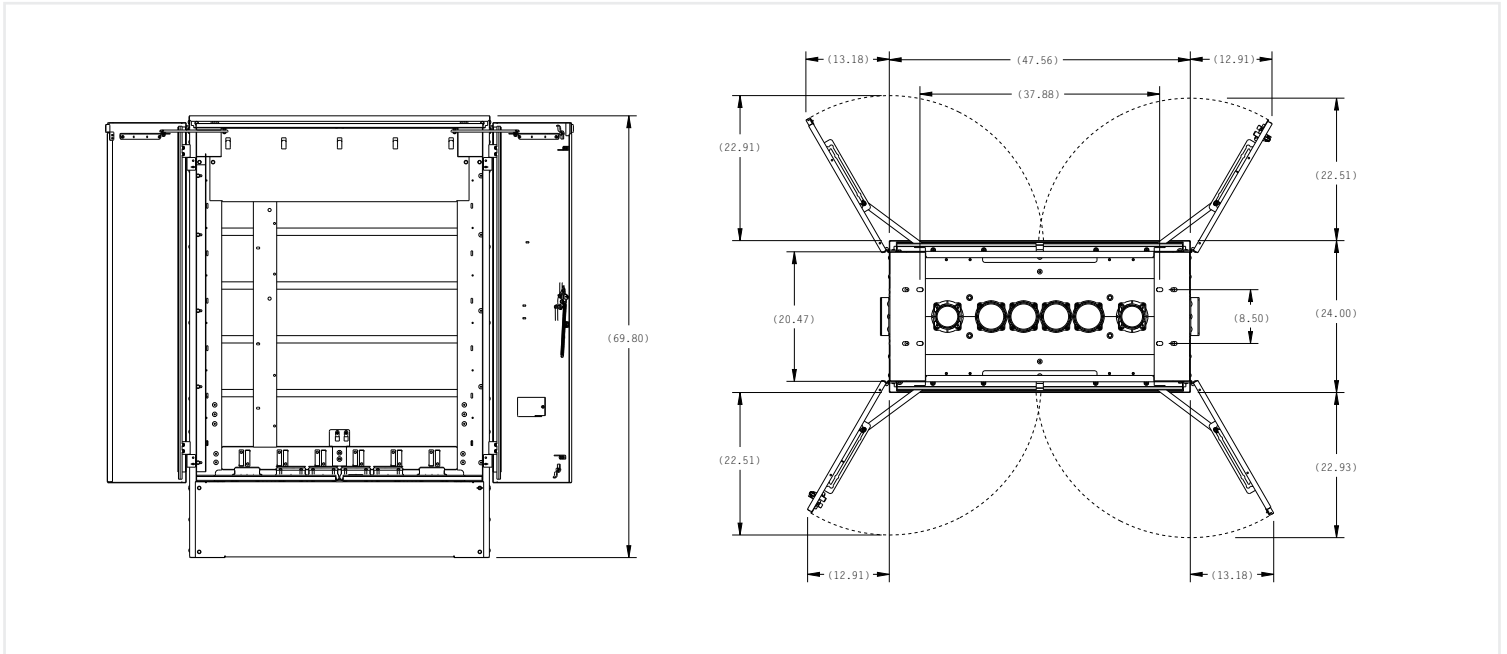
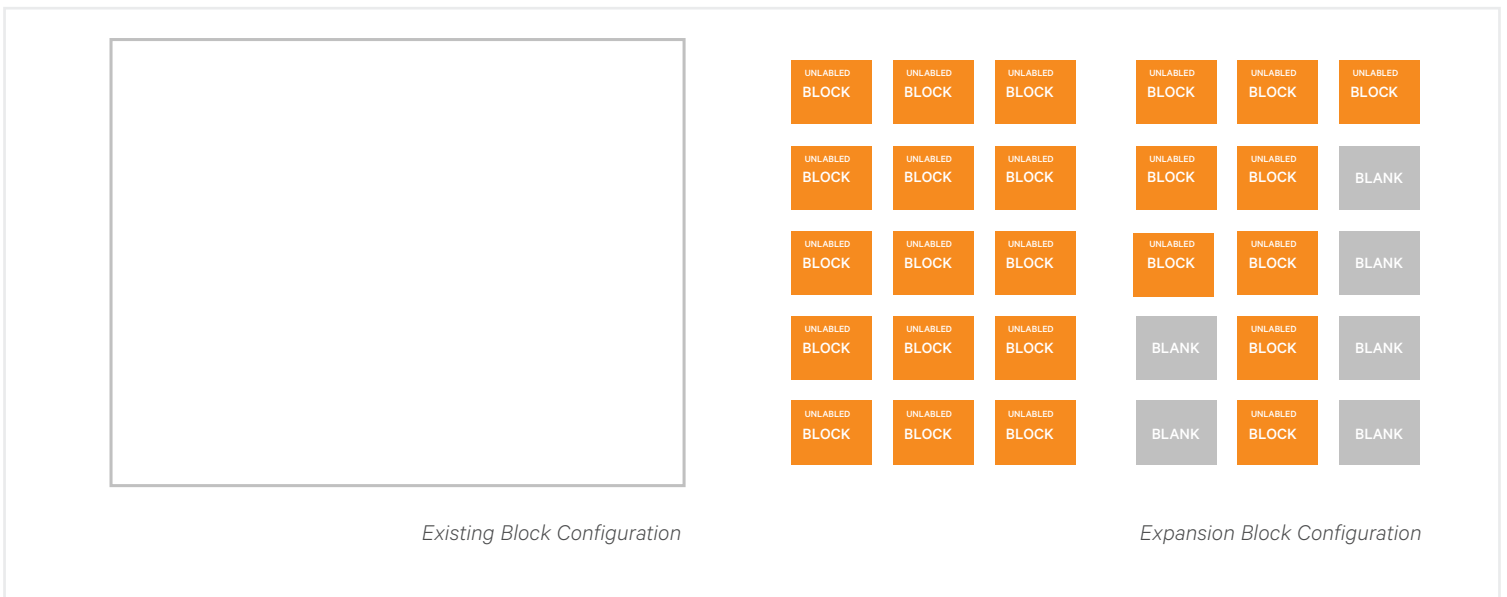


Figure 2a – Dimensions [SCX Series 1500S to 3000D]



Existing Block Configuration

Expansion Block Configuration

Figure 2b – Block Layout [SCX Series 1500S to 3000D, 900-pair grills (3 x 6)]

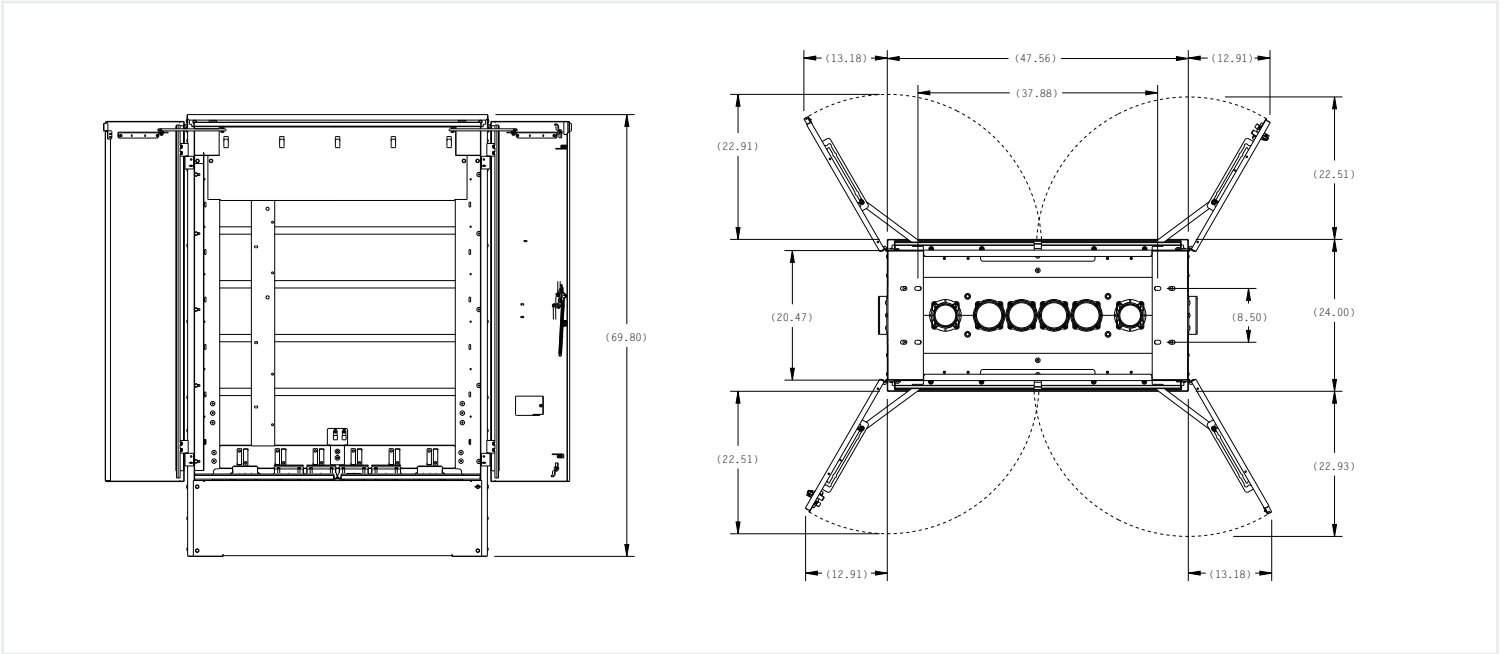


Figure 3a – Dimensions [SCX Series 1800S to 2700D]

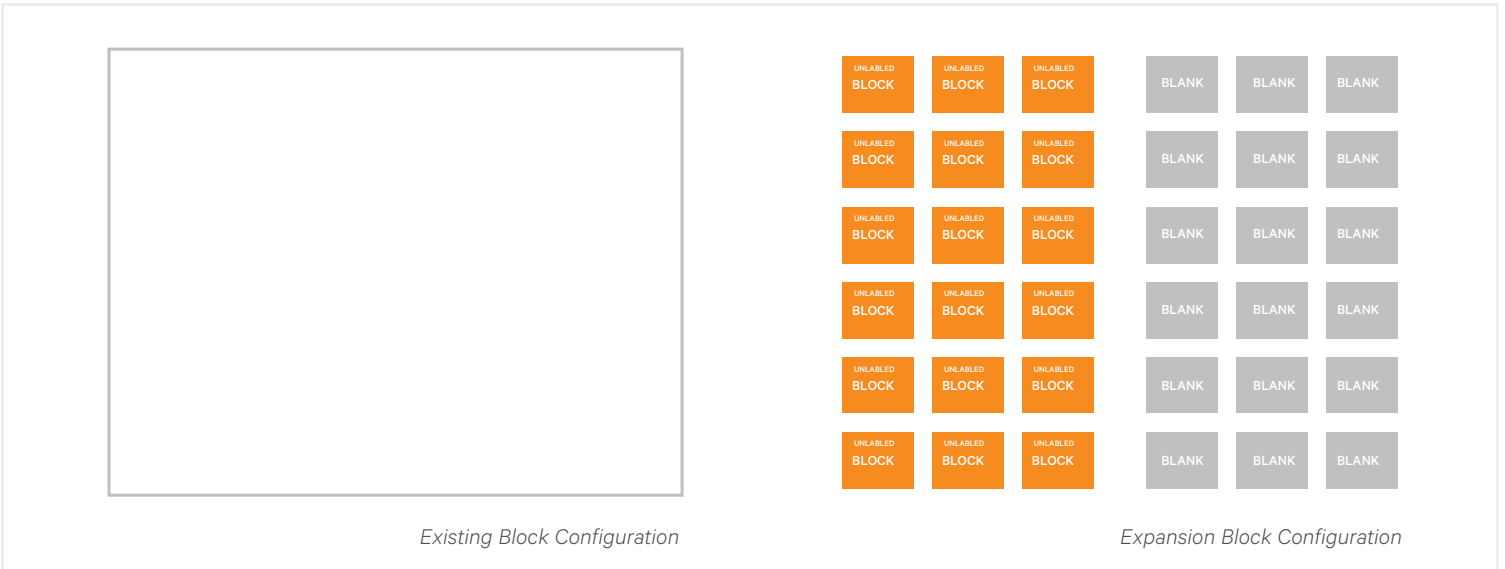


Figure 3b – Block Layout [1800S to 2700D, 900-pair grills (3 x 6)]

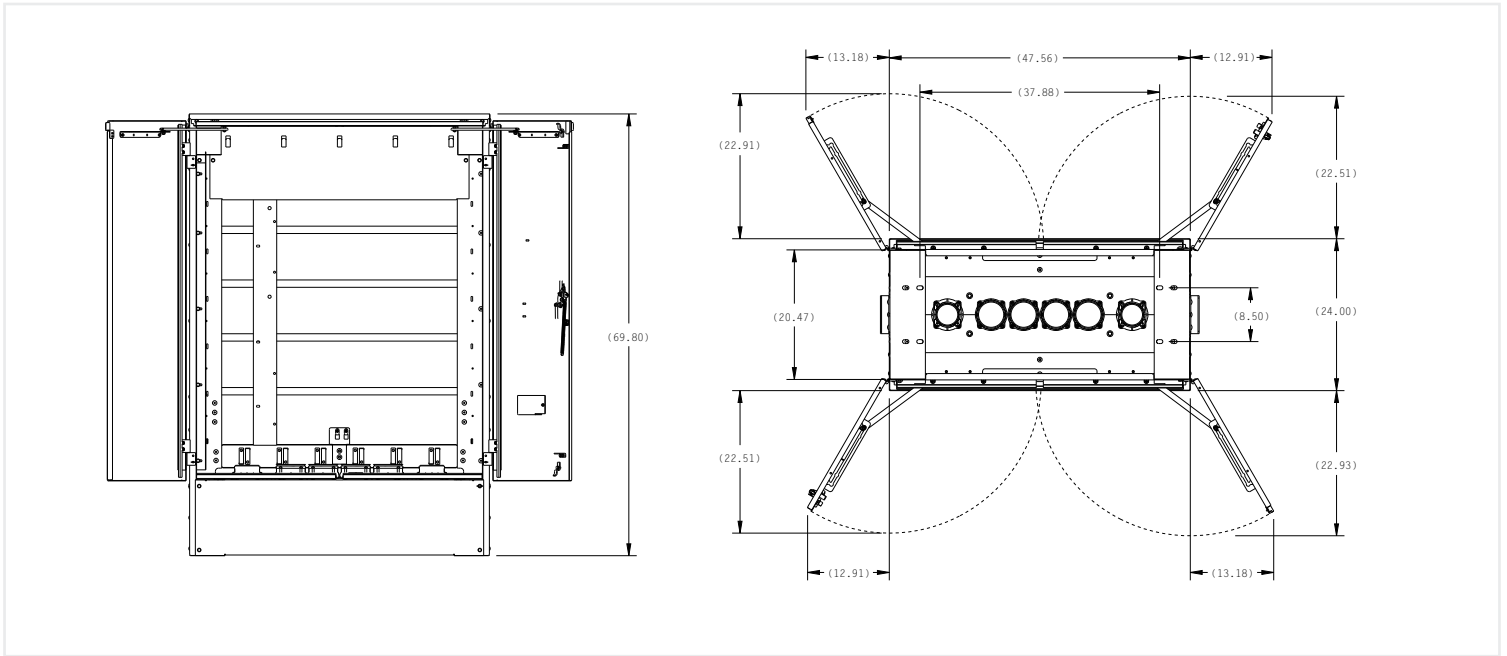
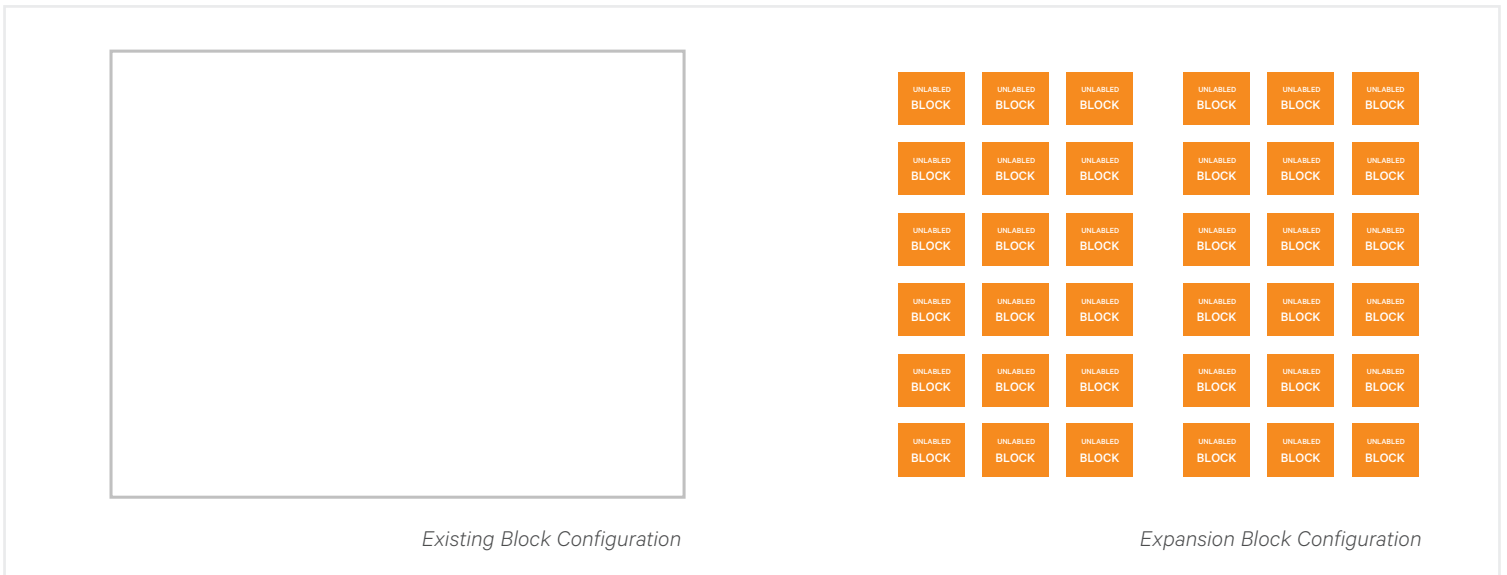


Figure 4a – Dimensions [SCX Series 1800S to 3600D]



Existing Block Configuration

Expansion Block Configuration

Figure 4b – Block Layout [SCX Series 1800S to 3600D, 900-pair grills (3 x 6)]

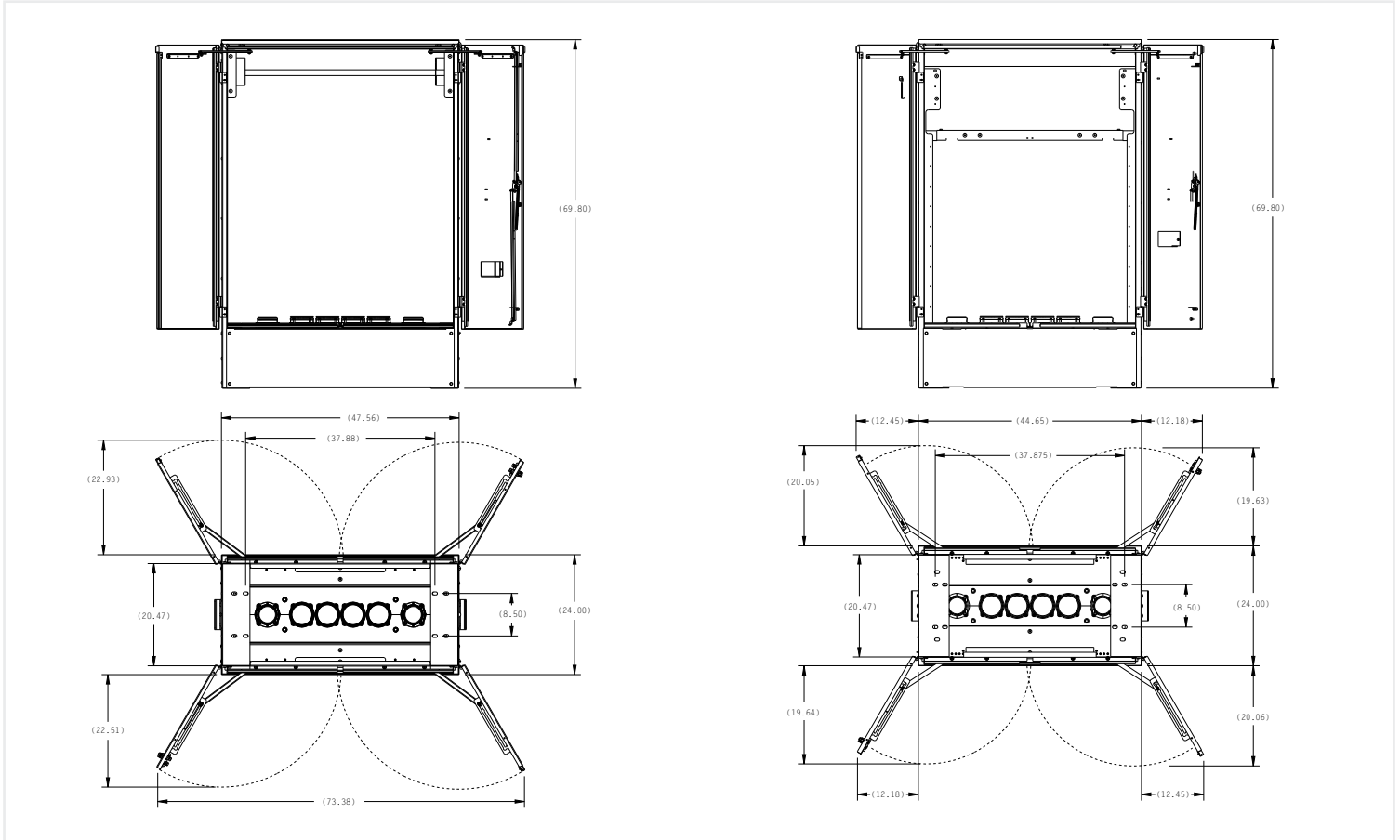


Figure 5a – Dimensions [SCXHR 2700D to 3600D]

Figure 15a – Dimensions [SCXWR 2700D to 3600D]

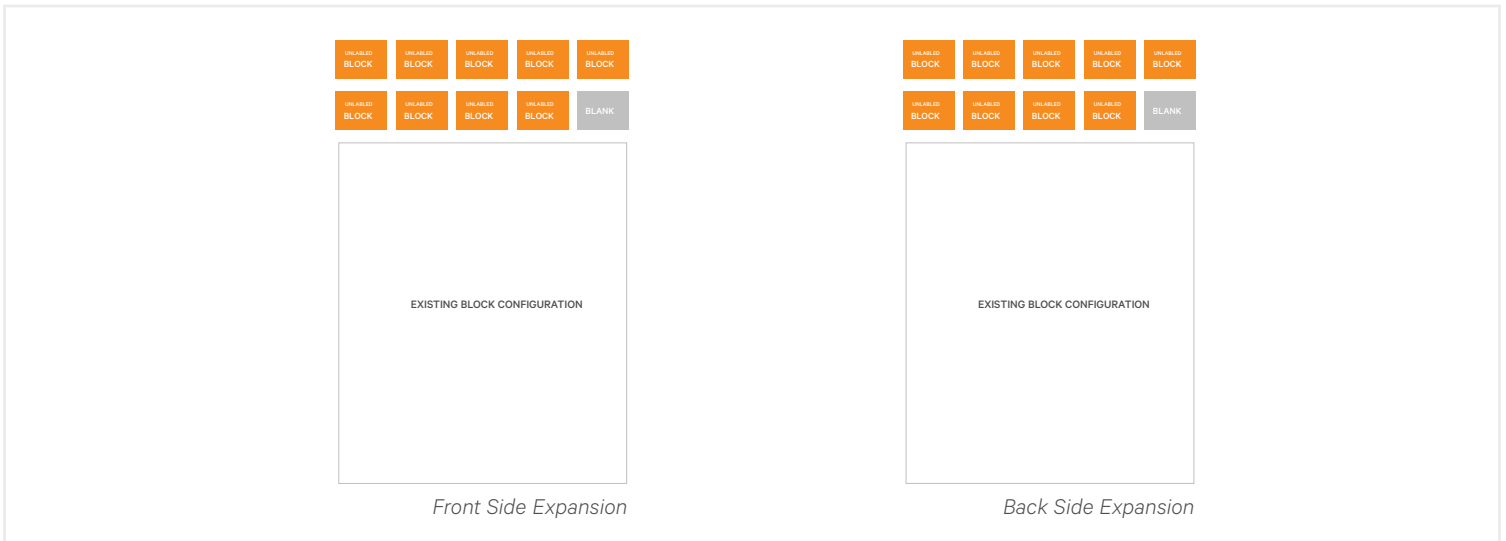


Figure 5b – Block Layout [SCX Series 2700D to 3600D, 500-pair grills (2 x 5)]

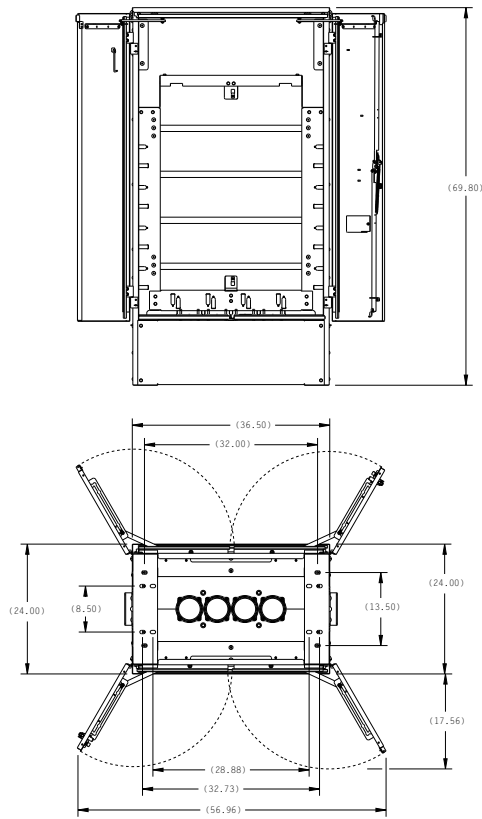


Figure 6a – Dimensions [SCXHR 1800D to 2700D]

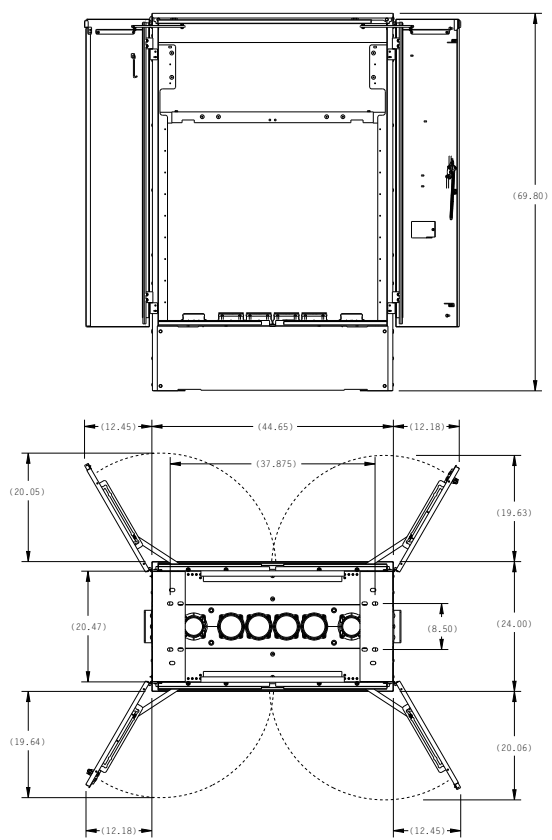
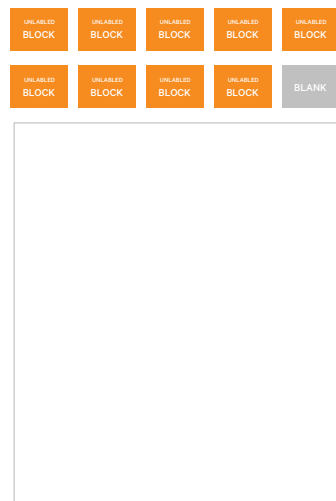
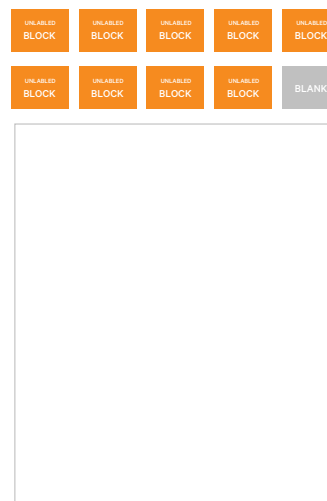


Figure 16a – Dimensions [SCXWR 1800D to 2700D]



Front Side Expansion



Back Side Expansion

Figure 6b – Block Layout [SCX Series 1800D to 2700D, 500-pair grills (2 x 5)]

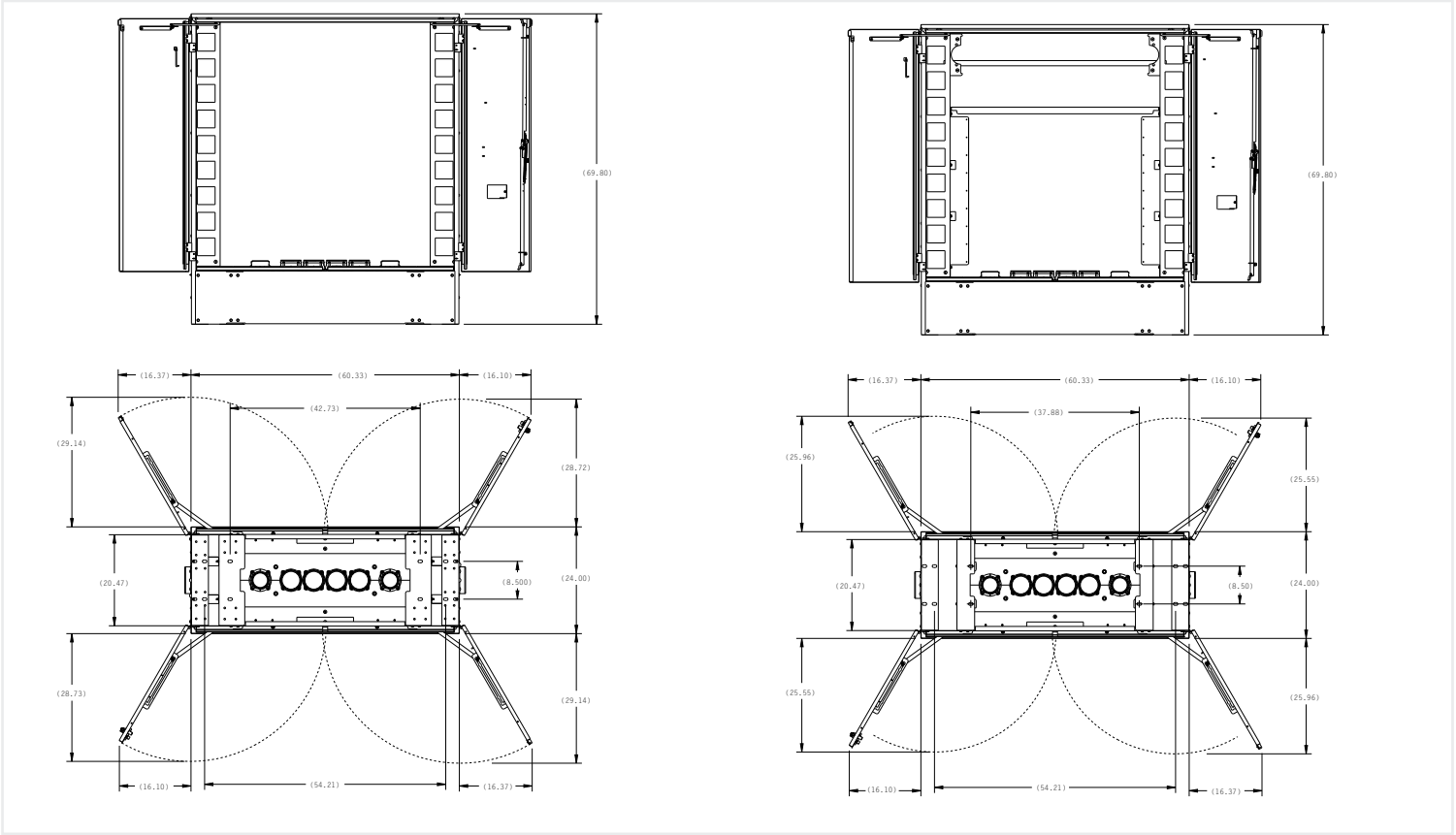


Figure 7a – Dimensions [SCXHR 3600D to 4800D]

Figure 17a – Dimensions [SCXWR 3600D to 4800D]

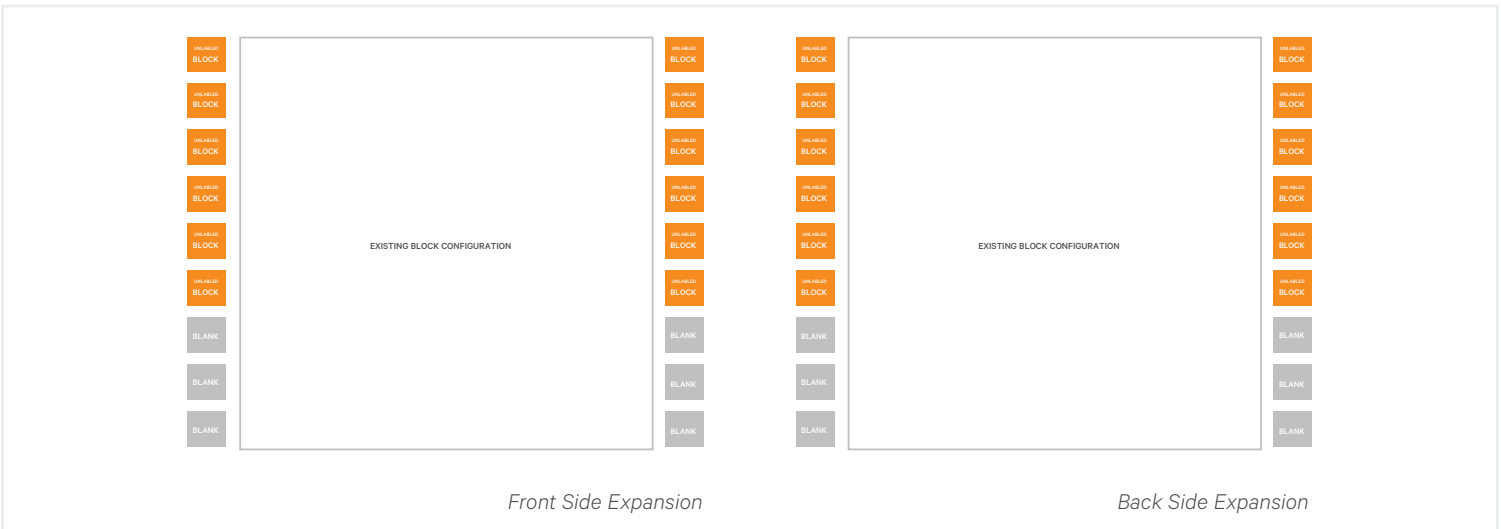


Figure 7b – Block Layout [SCX Series 3600D to 4800D, 450-pair grills (1 x 9)]

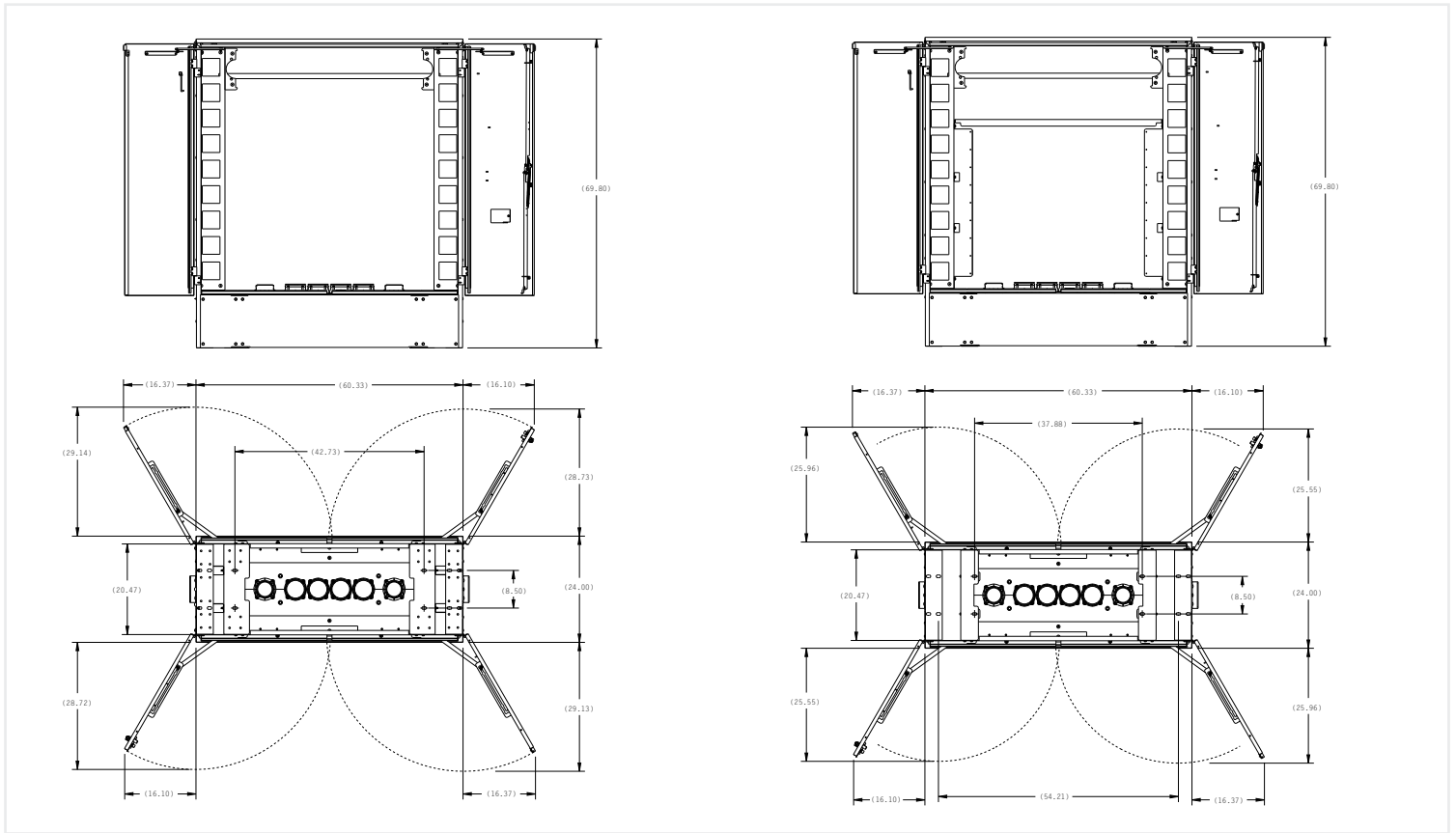


Figure 8a – Dimensions [SCXHR 2700D to 4800D]

Figure 18a – Dimensions [SCXWR 2700D to 4800D]



Figure 8b – Block Layout [SCX Series 2700D to 4800D, 450-pair grills (1 x 9)]

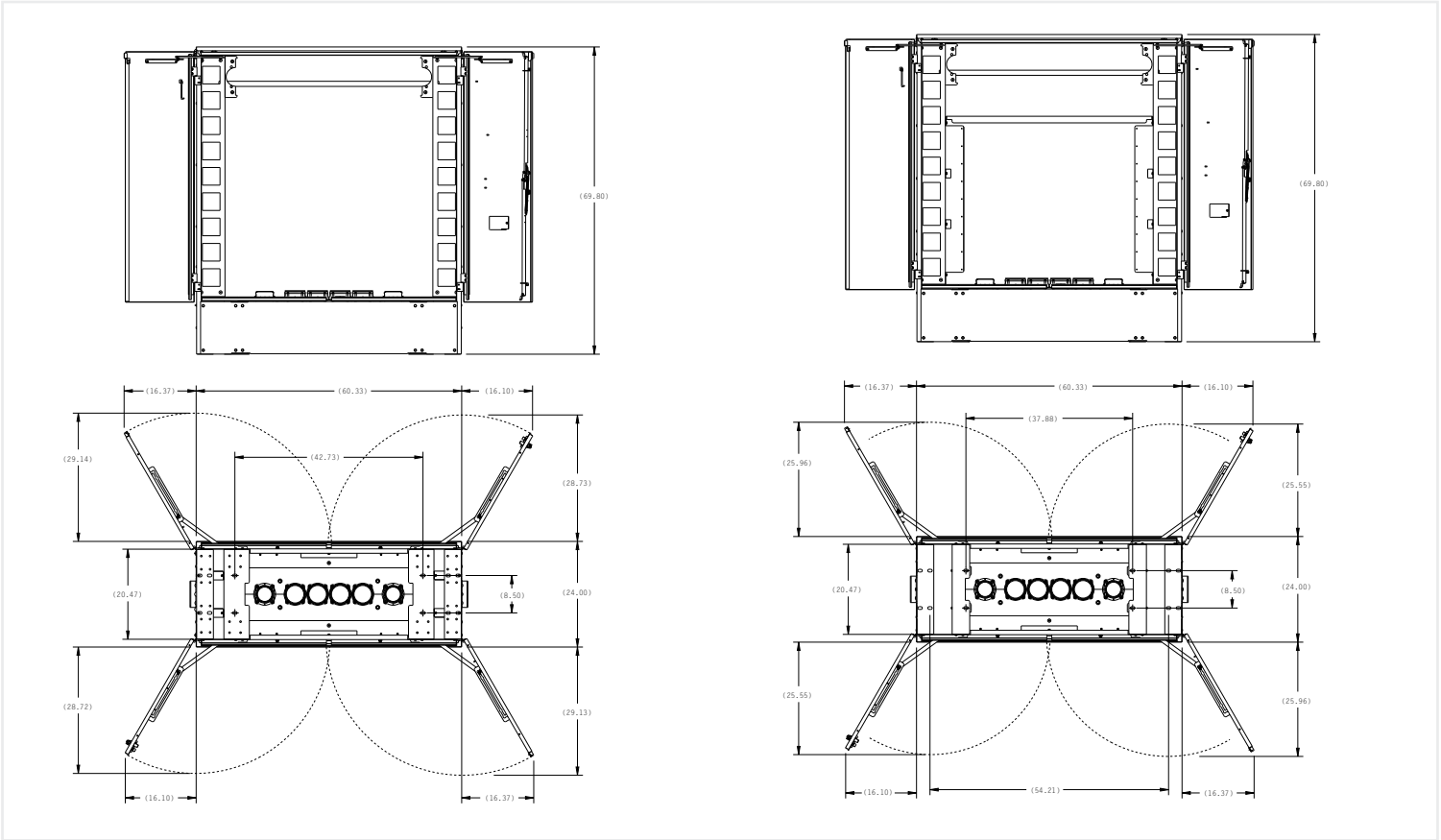
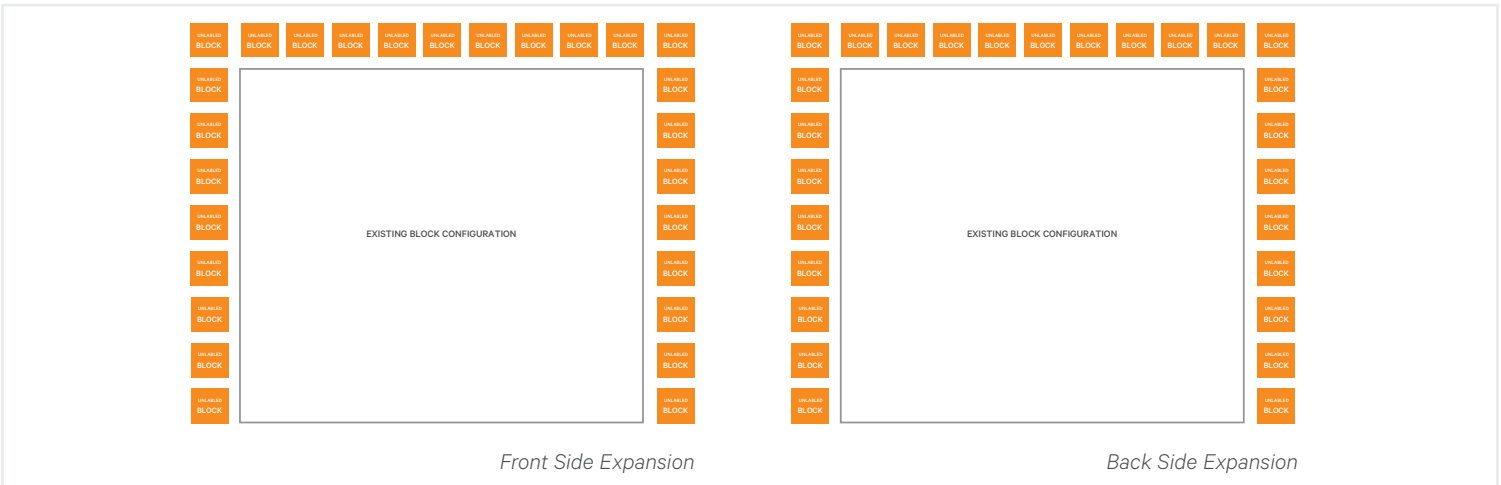


Figure 9a – Dimensions [SCXHR 2700D to 5400D]

Figure 19a –Dimensions [SCXWR 2700D to 5400D]



Front Side Expansion

Back Side Expansion

Figure 9b – Block Layout [SCX Series 2700D to 5400D, 450-pair grills (1 x 9)]

UNIX SERIES

Description

The Vertiv™ CXE UNIX Series, formerly the Universal Series, is a center feed swing-out cross connect cabinet with industry standard pad-mounting capabilities.

- Hinged center feed swing-out grills

Ordering Information

CATALOG NO.	PART NO.	DESCRIPTION	REPLACEMENT SHELL	DIMENSIONS* (H X W X D)	BLOCK LAYOUT
UNEX24D36DRLSEC	F1009872	Expands 2400D to 3600D CF	A	Fig. 10a	Fig. 10b
UNVEX24D54DRLSEC	F1009873	Expands 2400D to 5400D CF	B	Fig. 11a	Fig. 11b
UNEX36D54DRLS	F1009874	Expands 3600D to 5400D CF	B	Fig. 12a	Fig. 12b
UNEX54D72DRLSEC	F1009875	Expands 5400D to 7200D CF	C	Fig. 13a	Fig. 13b

* Approximate dimensions. See drawing for exact measurement.

Replacement Shells for UNIX Series Expanders

CATALOG NO.	PART NO.	SHELL CODE
SCXH36DAWCAB	F1007144	A
542070L	F1010075	B
541935PP	F1009187	C



Ordering Matrix

DESCRIPTION	VALUE
Cabinet Type	UN = Vertiv CXE UNIX Series Cabinet
Expansion	EX = Expander kit
Pair Count (Equipped)	24, 36, 54 = 2400, 3600, 4500
Original Access	D = Double access
Cabinet Capacity (Expanded)	36, 54, 72 = 3600, 5400, 7200
Expanded Access	D = Double access
Block Type	RLSE = RLS50 tight twist terminal blocks
Splice Modules	CF = 710, capless, female, gel-filled
Color	W = White

Tight Twist Block Cross Reference – UNX Series Cabinets

Catalog No.	Part No.	Cat3 Block	CATALOG NO.	PART NO.	TIGHT TWIST BLOCK
UN Series Cabinets			UN Series Cabinets		
UNFSEX24D36DRLSCFW	F1006984	P71590Z	UNEX24D36DRLSEC	F1009872	545890
UNFSEX24D54DRLSCFW	F1006986	P71590Z	UNVEX24D54DRLSEC	F1009873	545890
UNFSEX36D54DRLSCFW	F1006980	P71590Z	UNEX36D54DRLS	F1009874	545890
UNFSEX54D72DRLSCFW	F1006990	P71590Z	UNEX54D72DRLSEC	F1009875	545890

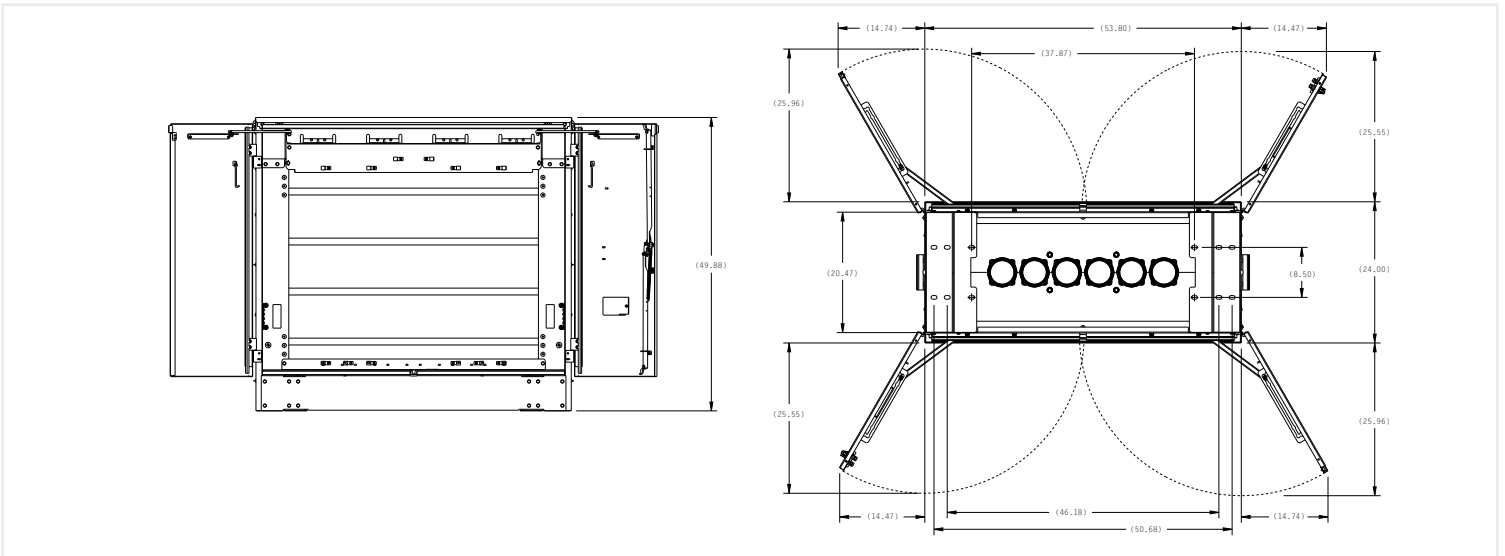


Figure 10a – Dimensions [2400D to 3600D]

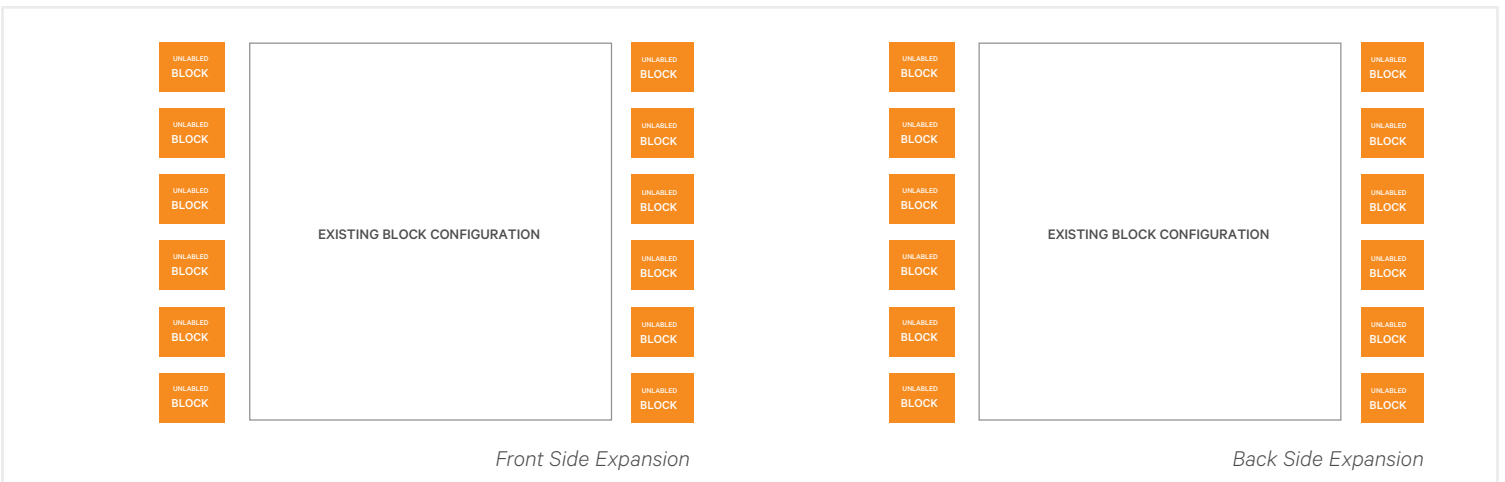


Figure 10b – Block Layout [2400D to 3600D, 300-pair grills (1 x 6)]

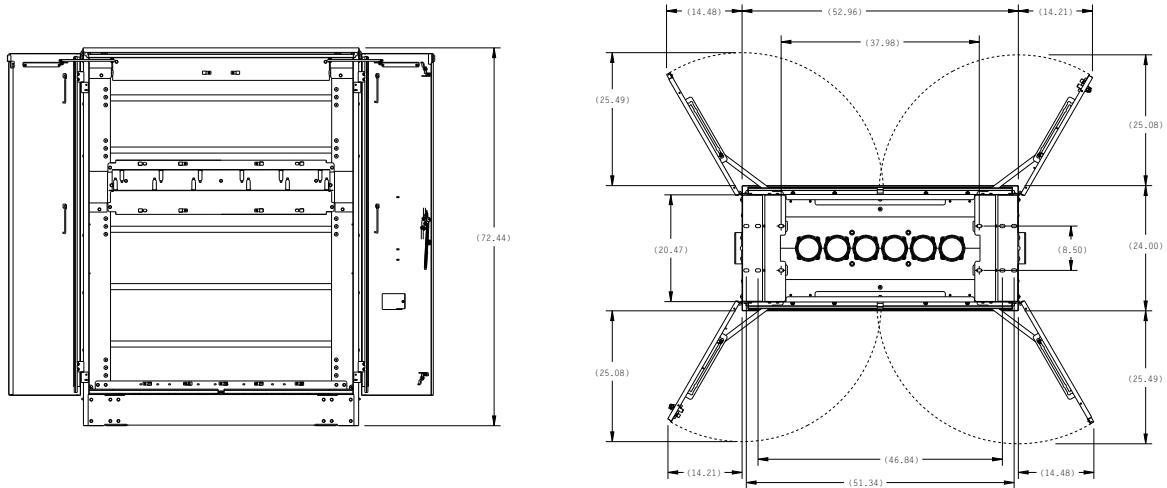


Figure 11a – Dimensions [2400D to 5400D]



Front Side Expansion

Back Side Expansion

Figure 11b – Block Layout [2400D to 5400D], 300-pair grills (1 x 6) and 450-pair grills (3 x 3)

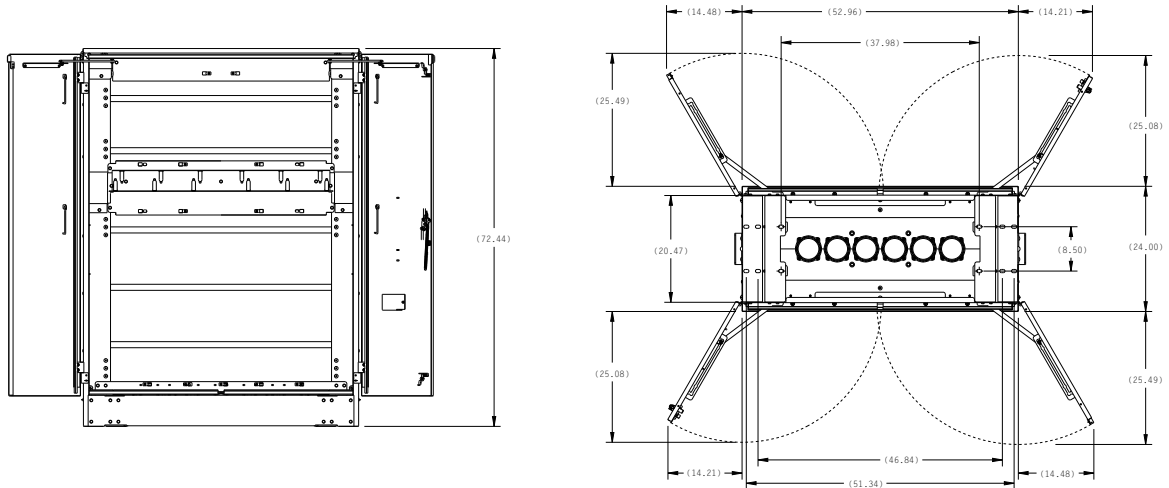
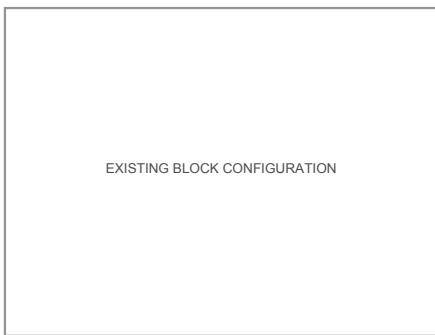
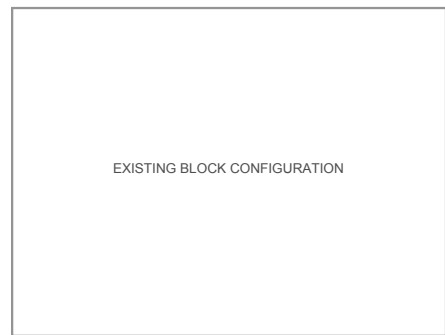
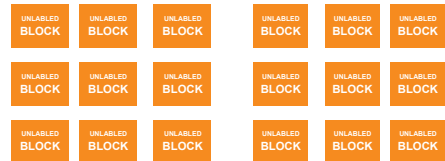


Figure 12a – Dimensions [3600D to 5400D]



Front Side Expansion



Back Side Expansion

Figure 12b – Block Layout [3600D to 5400D, 450-pair grills (3 x 3)]

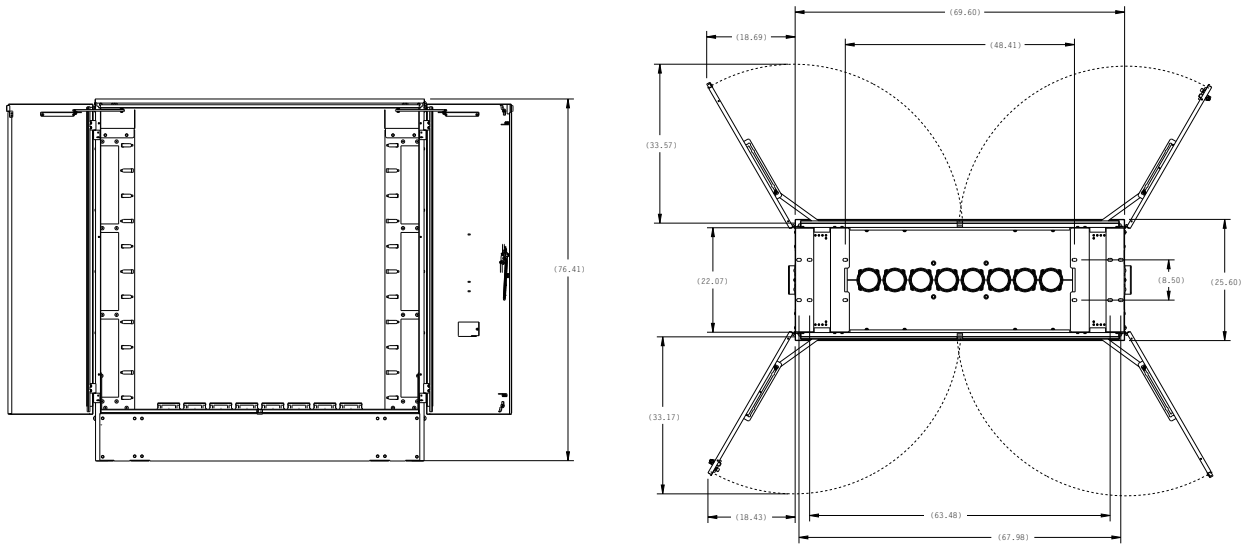


Figure 13a – Dimensions [5400D to 7200D]



Figure 13b – Block Layout [5400D to 7200D, 450-pair grills (1 x 9)]

ANNEX SERIES

Description

The Annex Series Expander from Vertiv™ is a bolt-on 400-pair retrofit cabinet designed to quickly provide extra capacity to an existing pad or pole-mounted cross connect.

- Bottom cable entrance
- Drop-down grills
- Six large and eight small knockouts on back for easy cable routing
- Lift-off, pad lockable cover



Ordering Information

CATALOG NO.	PART NO.	DESCRIPTION	COLOR	DIMENSIONS* (H X W X D)	DRAWING	BLOCK LAYOUT
AO400RLSECFW	F1009842	400-pair expansion	White	32" x 15" x 10"	Fig. 20a	Fig. 20b
AO400RLSCFWT	F1009843	400-pair expansion, tall	White	49" x 11" x 9"	Fig. 20a	Fig. 21b
AO400RLSECFG	F1009844	400-pair expansion	Gray-green	32" x 15" x 10"	Fig. 20a	Fig. 20b
AO400RLSECF TG	F1009845	400-pair expansion, tall	Gray-green	49" x 11" x 9"	Fig. 20a	Fig. 21b

* Approximate dimensions. See drawing for exact measurement.

Ordering Matrix

DESCRIPTION	VALUE
Cabinet Type	AO = "Annex" bolt-on enclosure
Pair Count (Equipped)	400 = 400-pair (2x4 or 1x8 bolt-on enclosure)
Block Type	RLSE = Tight twist RLS50 IDC terminal blocks
Splice Modules	CF = 710, capless, female, gel-filled
Color	W = White (2x4 grill)
	WT = White (tall - 1x8 grill)
	G = Gray-green (2x4 grill)
	TG = Gray-green (tall -1x8 grill)

Tight Twist Block Cross Reference – Annex Series

Catalog No.	Part No.	Cat3 sBlock	CATALOG NO.	PART NO.	TIGHT TWIST BLOCK
Annex Cabinets			Annex Cabinetsww		
AO400RLSCFW	F1008912	P71590Z	AO400RLSECFW	F1009842	545888
AO400RLSCFWT	F1008929	P71590Z	AO400RLSCFWT	F1009843	545888
AO400RLSCFG	F1009679	P71590Z	AO400RLSECFG	F1009844	545888
AO400RLSCFGT	F1009680	P71590Z	AO400RLSECFTG	F1009845	545888

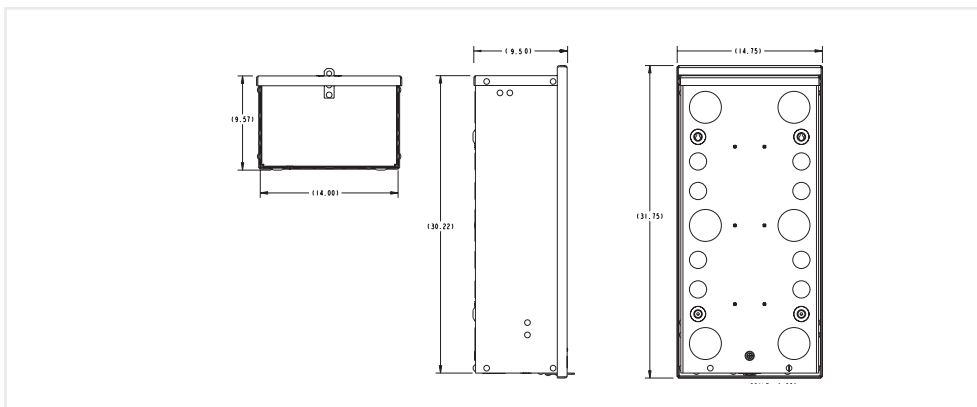
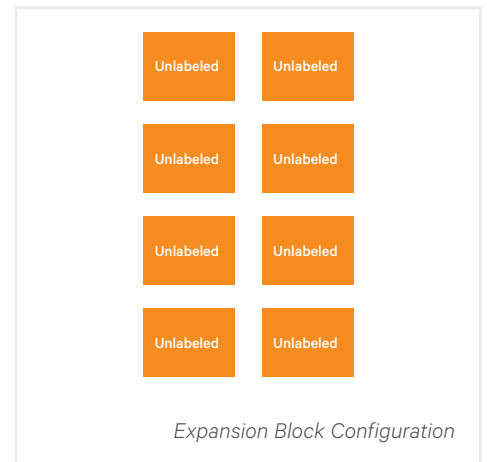


Figure 20a – Dimensions



Expansion Block Configuration

Figure 20b – Block Layout
[400-pair grills (2 x 4)]

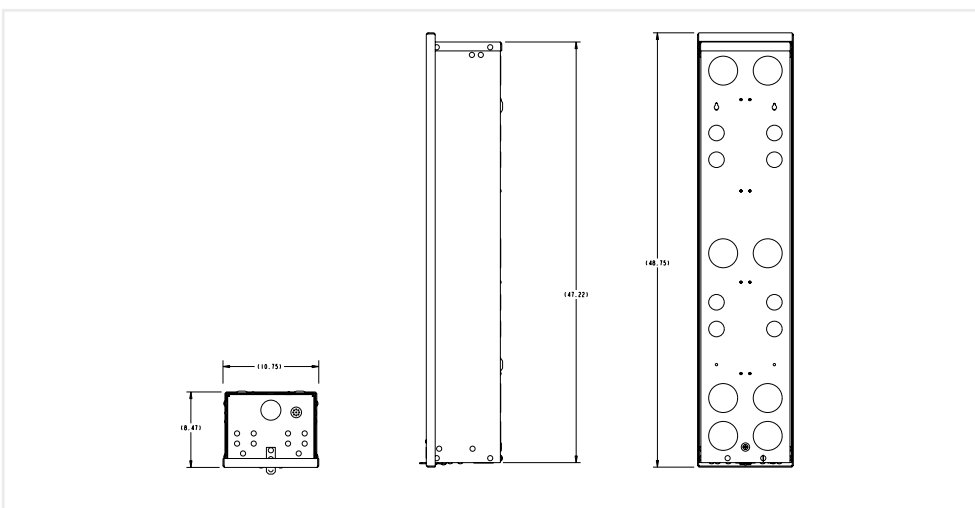
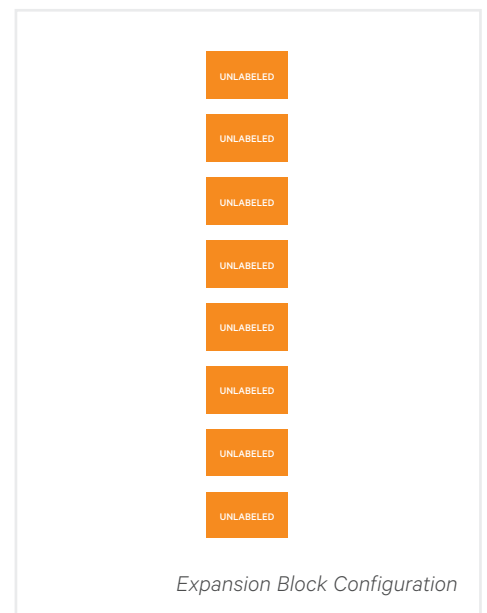


Figure 21a – Dimensions



Expansion Block Configuration

Figure 21b – Block Layout
[400-pair grills (1 x 8)]

40-TYPE SERIES

Description

Vertiv™ provides expansion for legacy 40-type cabinets with 76-type binding post blocks.

- Drop-down grills

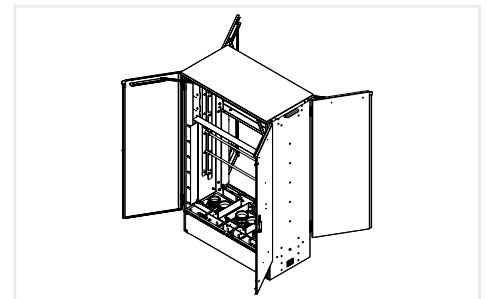
Ordering Information

CATALOG NO.	PART NO.	DESCRIPTION	DIMENSIONS* (H X W X D)	REPLACEMENT SHELL	DRAWING	BLOCK LAYOUT
EDRLSX76A8S26DC	F1009825	Expands 800S to 2600D	53 x 44 x 24	A	Fig. 22a	Fig. 22b
EDRLSX76A9S18DC	F1009820	Expands 900S to 1800D	53 x 44 x 24	A	Fig. 22a	Fig. 22c
EDRLSX76A12S18D	F1009823	Expands 1200S to 1800D	53 x 44 x 24	A	Fig. 22a	Fig. 22d
EEXP12SS/24DSHP	F1009821	Expands 1200S to 2400D	53 x 44 x 24	A	Fig. 22a	Fig. 22e
EEXP18SS/27DSHP	F1009824	Expands 1800S to 2700D	53 x 44 x 24	A	Fig. 22a	Fig. 22d
EEXP76A1836DCFW	F1009822	Expands 1800S to 3600D	53 x 44 x 24	A	Fig. 22a	Fig. 22b
EDRLSX76A8S17SC	F1009828	Expands 800S to 1700S	70 x 44 x 24	B	Fig. 23a	Fig. 23b
EEXP76A1827SCFW	F1009826	Expands 1800S to 2700S	70 x 44 x 24	B	Fig. 23a	Fig. 23b
EDRLSX76HB3654D	F1009829	Expands 3600D to 5400D HUB	70 x 44 x 24	B	Fig. 23a	Fig. 23c
EDRLSX76A3654DC	F1009827	Expands 3600D to 5400D	70 x 44 x 24	B	Fig. 23a	Fig. 23c
EDRLSX76A18S54D	F1009839	Expands 1800S to 5400D	70 x 44 x 24		Fig. 24a	Fig. 24b
EDRLSX76A27S36D	F1009831	Expands 2700S to 3600D	70 x 44 x 24	C	Fig. 25a	Fig. 25b
RDRLSX76A2754DC	F1009830	Expands 2700S to 5400D	70 x 44 x 24	C	Fig. 25a	Fig. 25c
EDRLSEX7627S36S	F1009833	Expands 2700S to 3600S R	67 x 70 x 24		Fig. 26a	Fig. 26b
EDRLSEX7618S36SCFW	F1009836	Expands 1800S to 3600S R	67 x 70 x 24		Fig. 26a	Fig. 27b
EDRLSX7627S36SC	F1009840	Expands expanded 2700S to 3600S R	67 x 70 x 24		Fig. 27a	Fig. 27c
EEXP7627S45SCFW	F1009832	Expands 2700S to 4500S R	67 x 70 x 24		Fig. 26a	Fig. 27b
EDRLSX7627S45SC	F1009841	Expands expanded 2700S to 4500S R	67 x 70 x 24		Fig. 27a	Fig. 27b
EX76A36D54DXCFW	F1009834	Expands 3600D to 5400D R	67 x 70 x 24		Fig. 26a	Fig. 27d
EX76A36D72DXCFW	F1009835	Expands 3600D to 7200D R	67 x 70 x 24		Fig. 26a	Fig. 27e
EDRLSXT18SW36DC	F1009838	Expands 1800S to 3600D Tyco	44 x 72 x 31		Fig. 28a	Fig. 28b
EDRLSXHB18S36DC	F1009837	Expands 1800S to 3600D HUB	70 x 44 x 24	C	Fig. 29a	Fig. 29b

* Approximate dimensions. See drawing for exact measurement.

Replacement Shells for 40-Type Series Expanders

CATALOG NO.	PART NO.	SHELL CODE
DROP6X6SHLL	F080668	A
502316	F1007808	B
DROP6X9ATTCABW	F1002117	C



Ordering Matrix – 40-Type Series

DESCRIPTION	VALUE	
Cabinet Type	ED	= Drop-down cross connect with tight twist blocks
	EX	= Side expanded cabinet with tight twist blocks
Block Type	RLS	= Tight twist RLS50 IDC terminal blocks
	76	= 76-type legacy block
Type of Expansion	X76X	= Expansion for cabinet with legacy blocks
	EX76	= Side expansion for cabinet with legacy blocks
	XT	= Expansion for Tyco wide cabinet with legacy blocks
Legacy-Style ATT Cabinet	A	= ATT/Lucent-style
	HB	= Hub-style 40-type
Pair Count (Equipped)	8, 9, 12, 18, 27, 36, 45	= 800, 900, 1200, 1800, 2700, 3600, 4500
Original Access	S	= Single access
	D	= Double access
Cabinet Capacity	12, 17, 18, 24, 26, 27, 36, 54, 72	= 1200, 1700, 1800, 2400, 2600, 2700, 3600, 5400, 7200
Expanded Access	S	= Single access
	SW	= Single access (wide)
	D	= Double access
Previously Expanded Cabinet	X	= Expansion to previously expanded cabinet
Splice Modules	CF	= 710, capless, female, gel-filled
Color	W	= White

Tight Twist Block Cross Reference – 40-Type Series

Catalog No.	Part No.	Cat3 Block	CATALOG NO.	PART NO.	TIGHT TWIST BLOCK
40-Type Cabinets			40-Type Cabinets		
DRLSX76A9S18DCFW	F1006483	P71590Z	EDRLSX76A9S18DC	F1009820	545890
DRLSX76ATT1224DCFW	F1006484	P71590Z	EEXP12SS/24DSHP	F1009821	545890
DRLSX76ATT1836DCFW	F1006486	P71590Z	EEXP76A1836DCFW	F1009822	545890
DRLSX76A12S18DCFW	F1006490	P71590Z	EDRLSX76A12S18D	F1009823	545890
DRLSX76A18S27DCFW	F1006491	P71590Z	EEXP18SS/27DSHP	F1009824	545890
DRLSX76A8S26DCFW	F1007618	P71590Z	EDRLSX76A8S26DC	F1009825	545890
DRLSX76ATT1827SCFW	F1006485	P71590Z	EEXP76A1827SCFW	F1009826	545890
DRLSX76ATT3654DCFW	F1006488	P71590Z	EDRLSX76A3654DC	F1009827	545890
DRLSX76A8S17SCFW	F1007617	P71590Z	EDRLSX76A8S17SC	F1009828	545890
DRLSX76HB3654DCFW	F1008128	P71590Z	EDRLSX76HB3654D	F1009829	545890
DRLSX76ATT2754DCFW	F1006487	P71590Z	RDRLSX76A2754DC	F1009830	545890
DRLSX76A27S36DCFW	F1006492	P71590Z	EDRLSX76A27S36D	F1009831	545890
DRLSEX7627S45SCFW	F1006956	P71590Z	EEXP7627S45SCFW	F1009832	545890
DRLSEX7627S36SCFW	F1007120	P71590Z	EDRLSEX7627S36S	F1009833	545890
DRLSEX7618S36SCFW	F1007213	P71590Z	EDRLSEX7618S36SCFW	F1009836	545890
X76A36D54DXCFW	F1007799	P71590Z	EX76A36D54DXCFW	F1009834	545890
X76A36D72DXCFW	F1007898	P71590Z	EX76A36D72DXCFW	F1009835	545890
DRSXHB18S36DCFW	F1007210	P71590Z	EDRLSXHB18S36DC	F1009837	545890
DRLSXT18SW36DCFW	F1007810	P71590Z	EDRLSXT18SW36DC	F1009838	545890
DRLSX76A18S54DCFW	F1006489	P71590Z	EDRLSX76A18S54D	F1009839	545890
DRLSX76X27S36SCFW	F1007141	P71590Z	EDRLSX7627S36SC	F1009840	545890
DRLSX7627S45SCFW	F1007150	P71590Z	EDRLSX7627S45SC	F1009841	545890

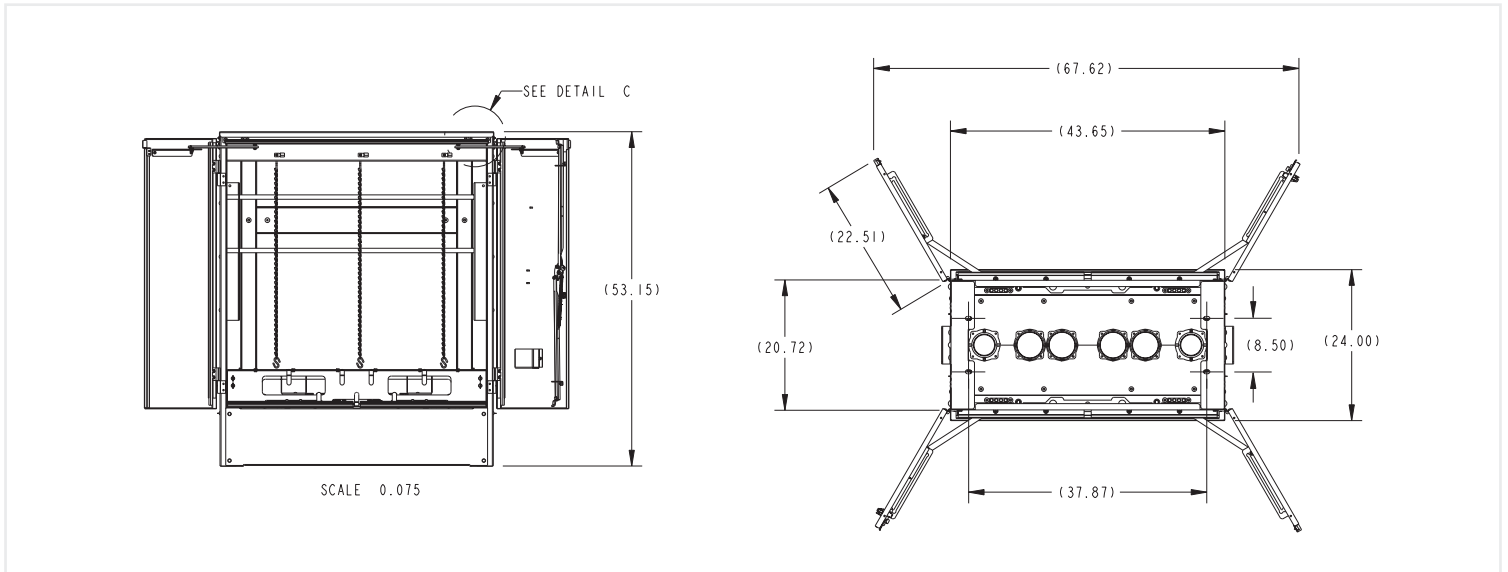


Figure 22a – Dimensions [40-Type Series, 53 x 44 x 24]

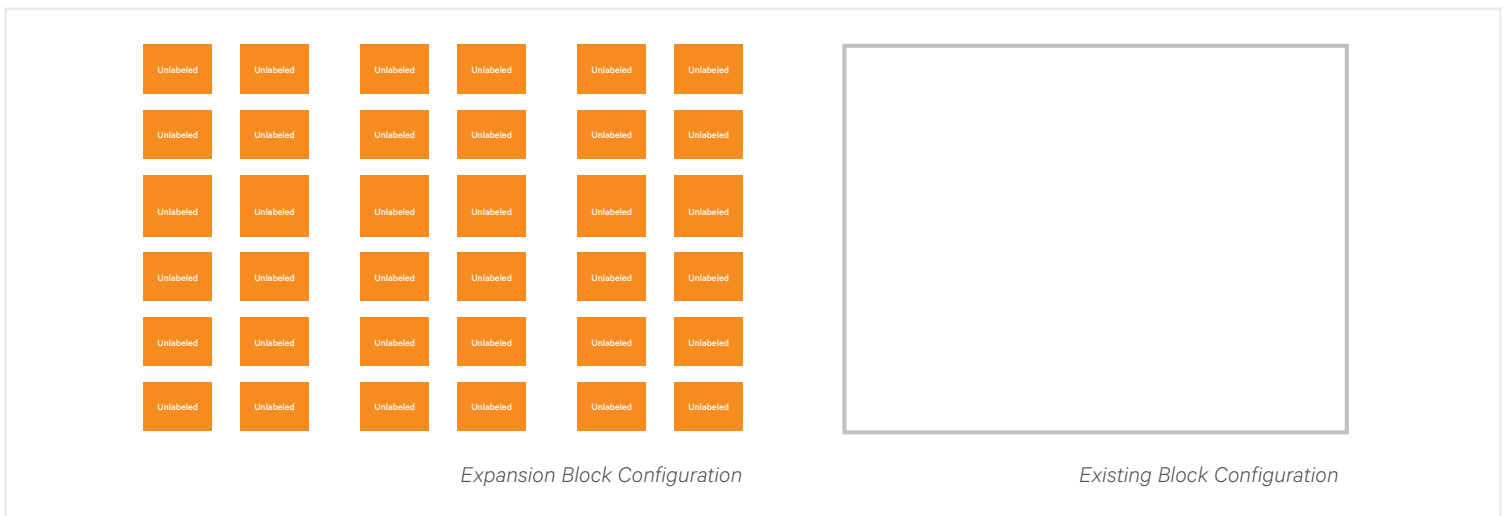


Figure 22b – Block Layout [40-Type Series, 800S to 2600D, 600-pair grills (2 x 6)]



Figure 22c – Block Layout [40-Type Series, 900S to 1800D, 600-pair grills (2 x 6)]

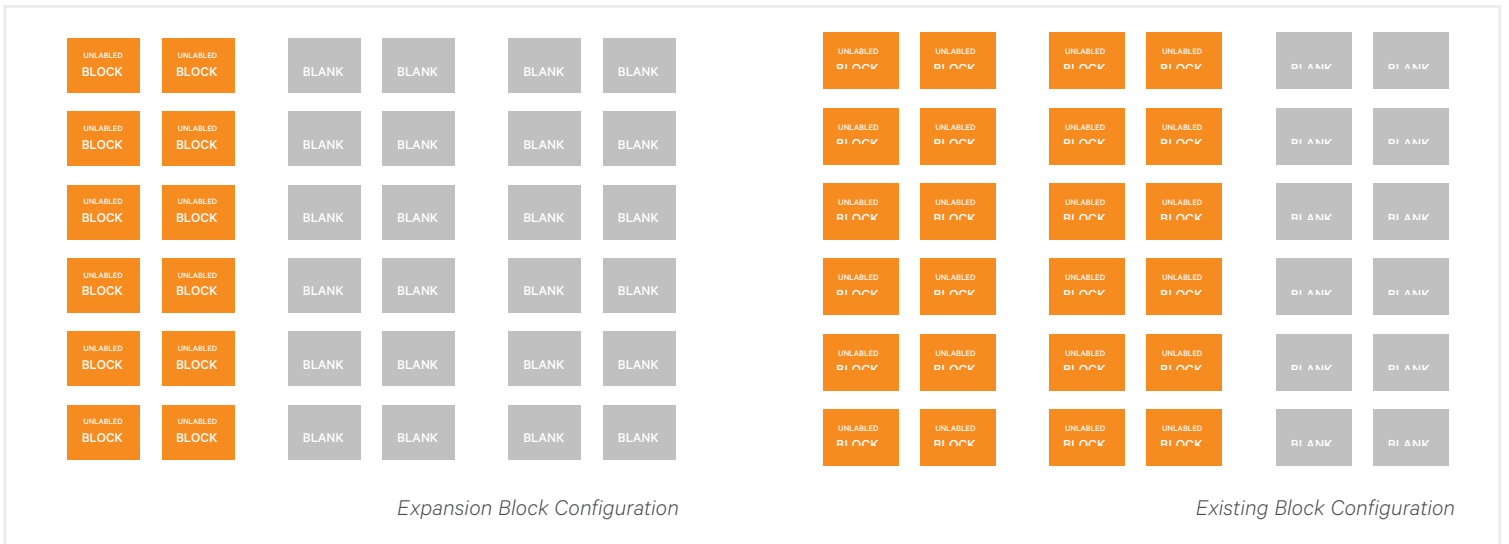


Figure 22d – Block Layout [40-Type Series, 1200S to 1800D, 600-pair grills (2 x 6)]

Figure 22e – Block Layout [40-Type Series, 1200S to 2400D, 600-pair grills (2 x 6)]

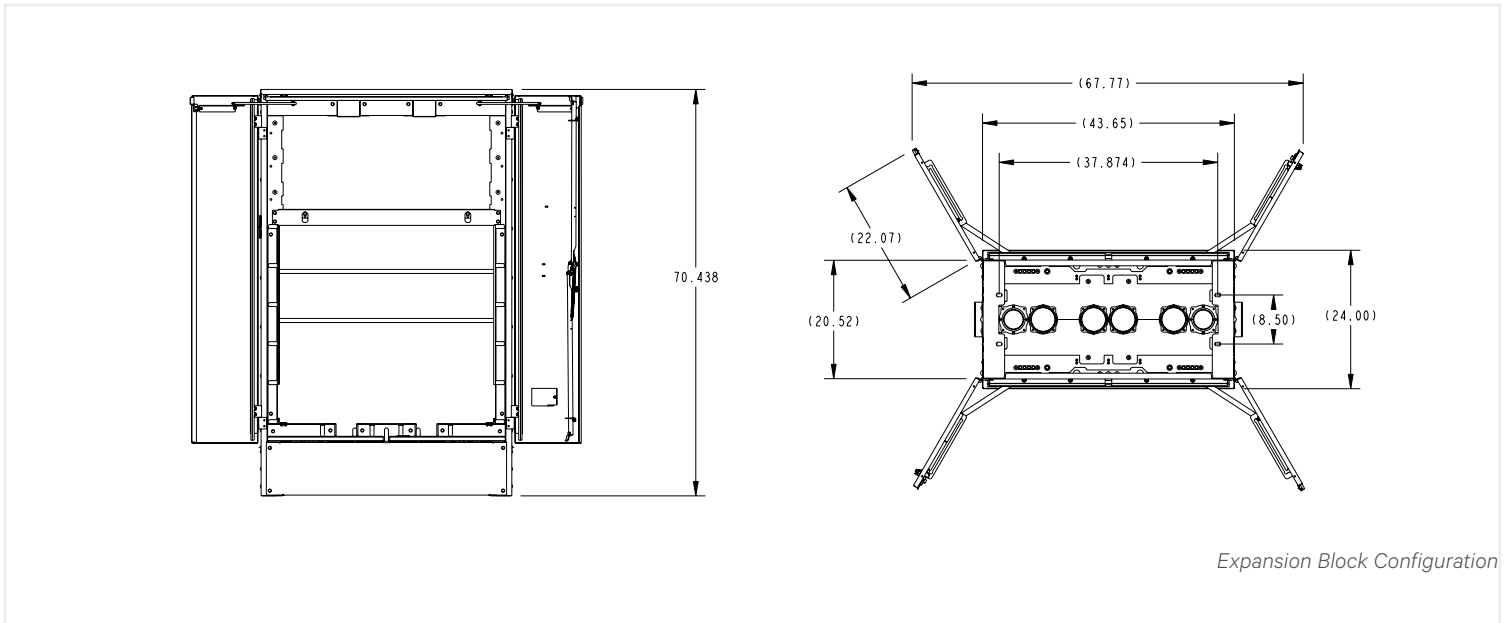


Figure 23a – Dimensions [40-Type Series, 70 x 44 x 24]

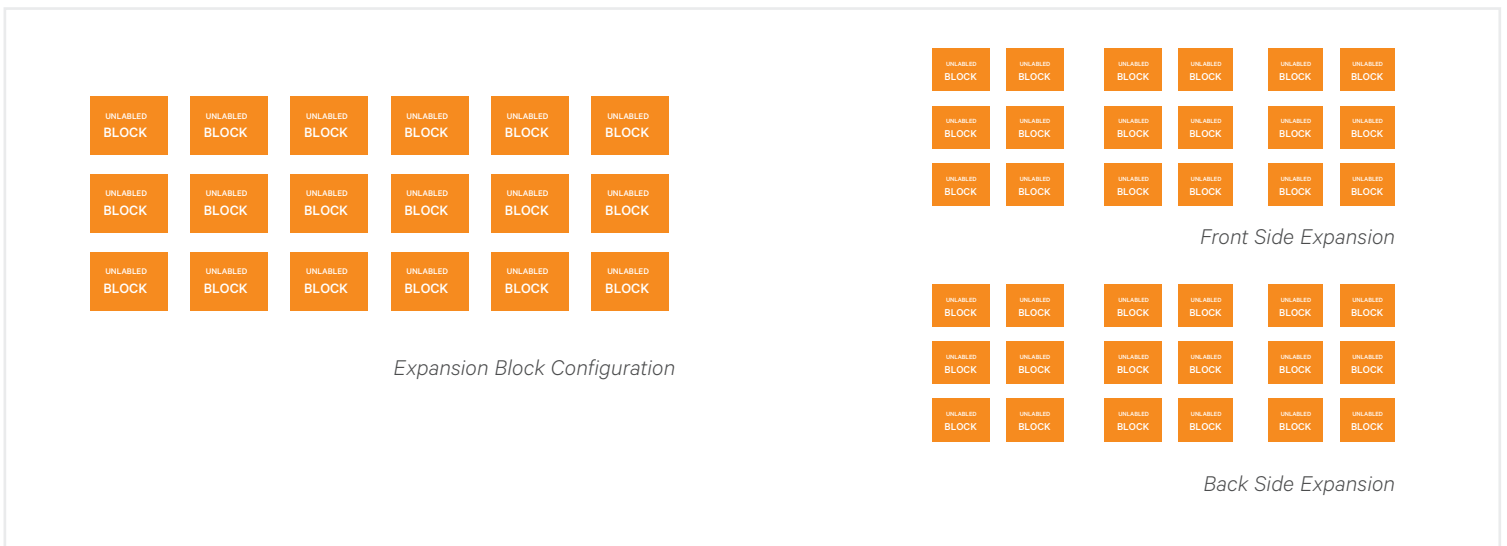


Figure 23b – Block Layout
[40-Type Series, 800S to 1700S, 900-pair grills (3 x 6)]

Figure 23c – Block Layout
[40-Type Series, 3600 to 5400D, 900-pair grills (3 x 6)]

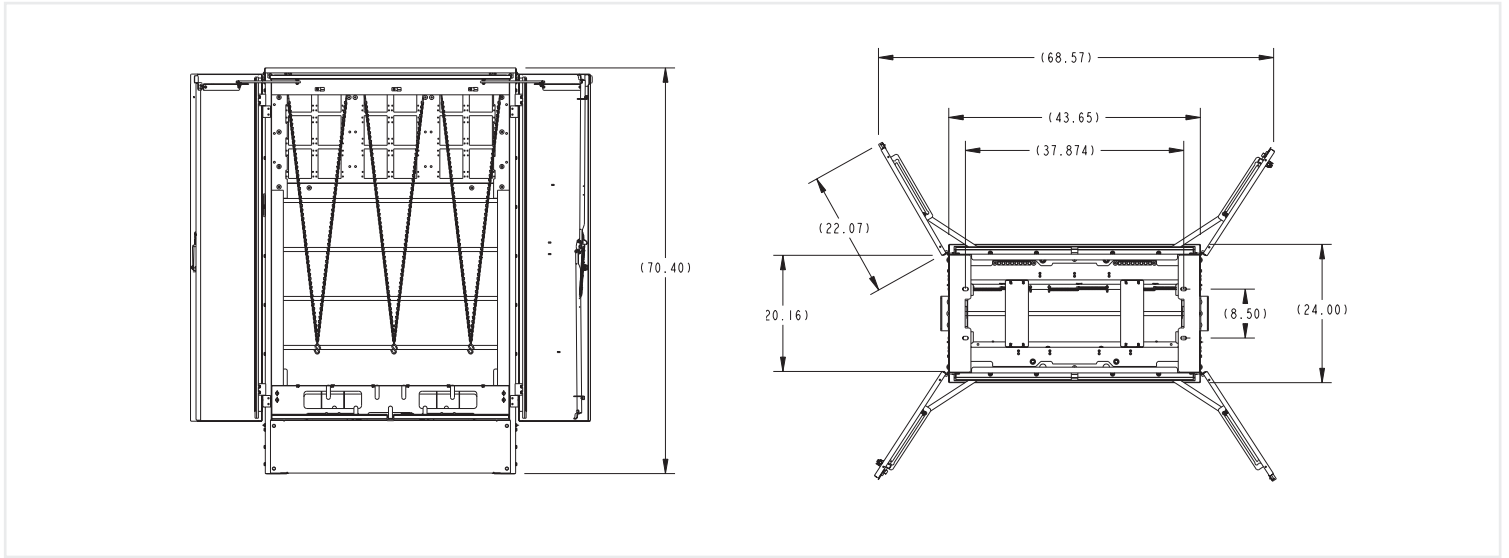


Figure 24a – Dimensions [40-Type Series, 70 x 44 x 24]

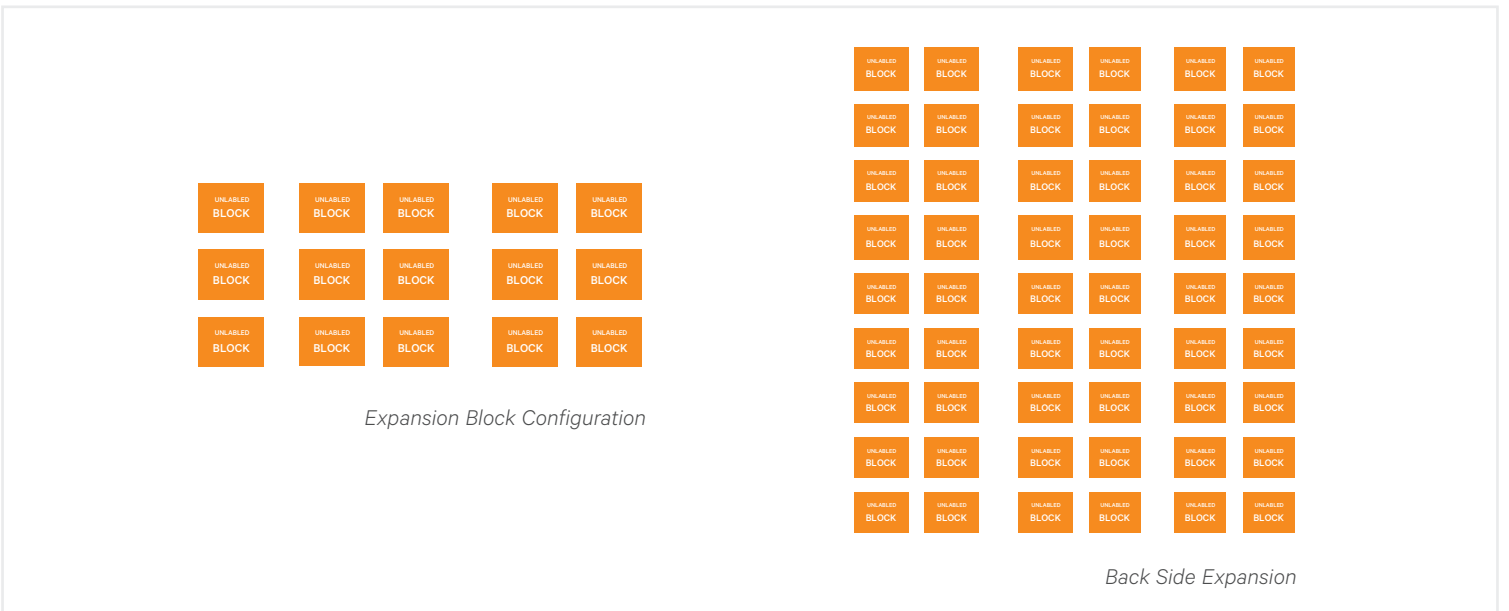


Figure 24b – Block Layout [40-Type Series, 1800S to 5400D, 900-pair grills (2 x 9)]

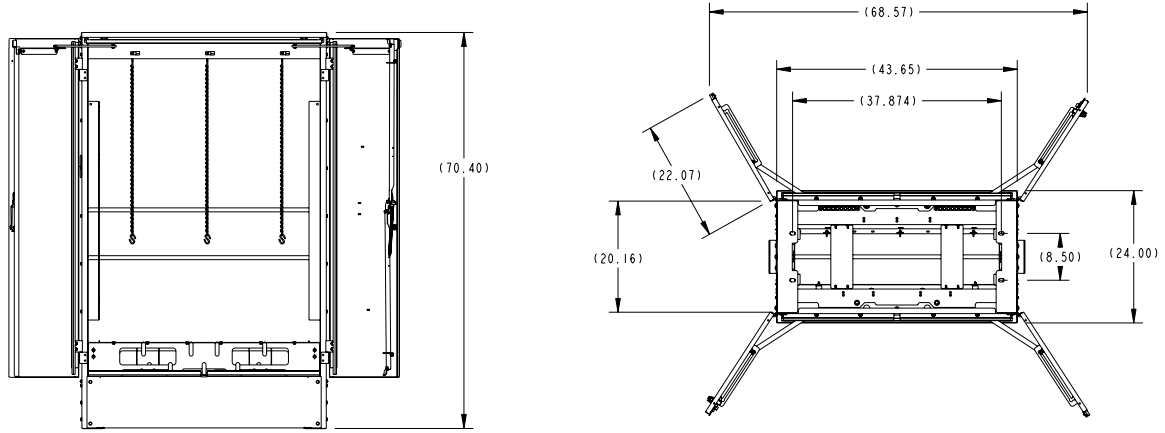


Figure 25a – Dimensions [40-Type Series, 70 x 44 x 24]



Expansion Block Configuration

Figure 25b – Block Layout
[40-Type Series, 2700S to 3600D, 900-pair grills (2 x 9)]



Back Side Expansion

Figure 25c – Block Layout
[40-Type Series, 2700S to 5400D, 900-pair grills (2 x 9)]

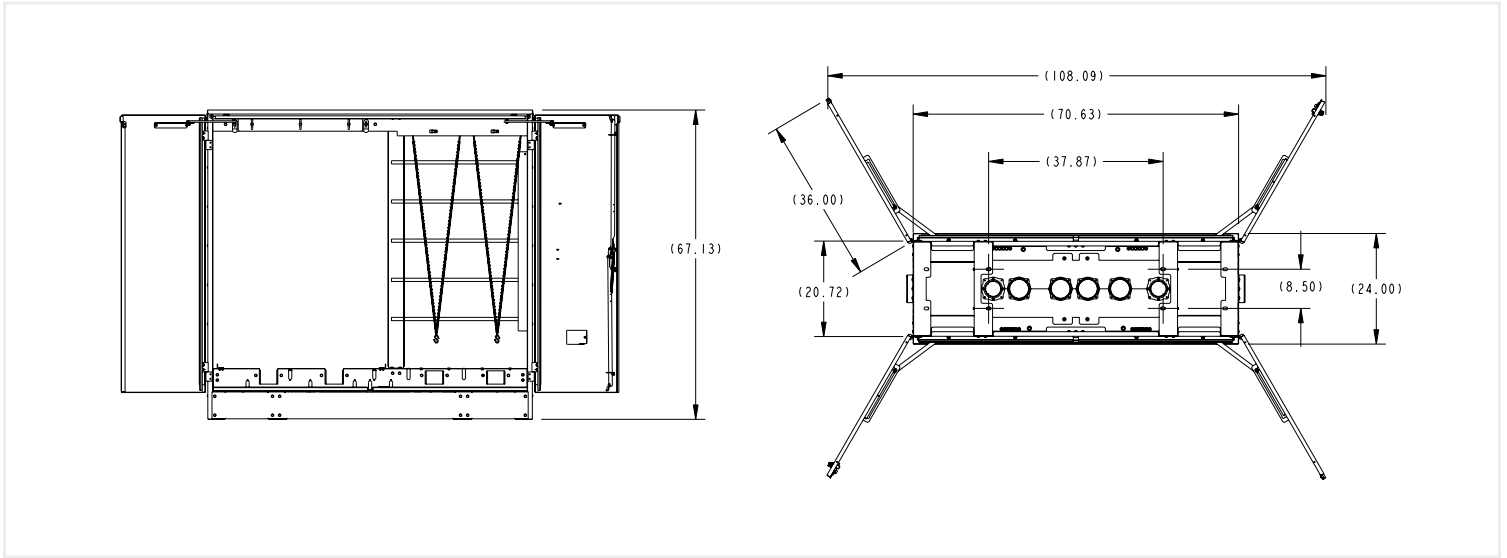


Figure 26a – Dimensions [40-Type Series, 70 x 67 x 24]

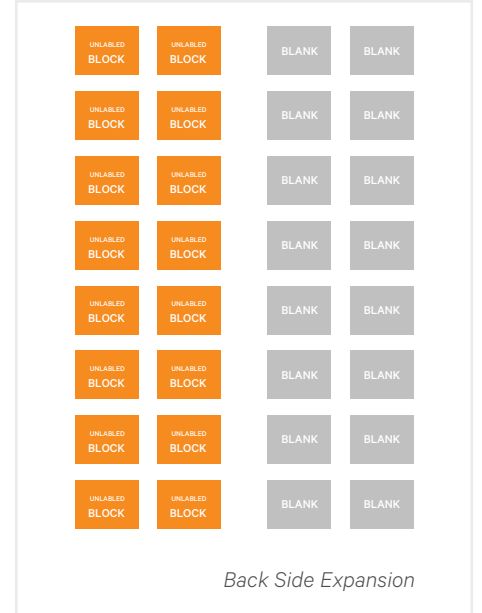


Figure 26b – Block Layout [40-Type Series, 2700S to 3600S, 900-pair grills (2 x 9)]

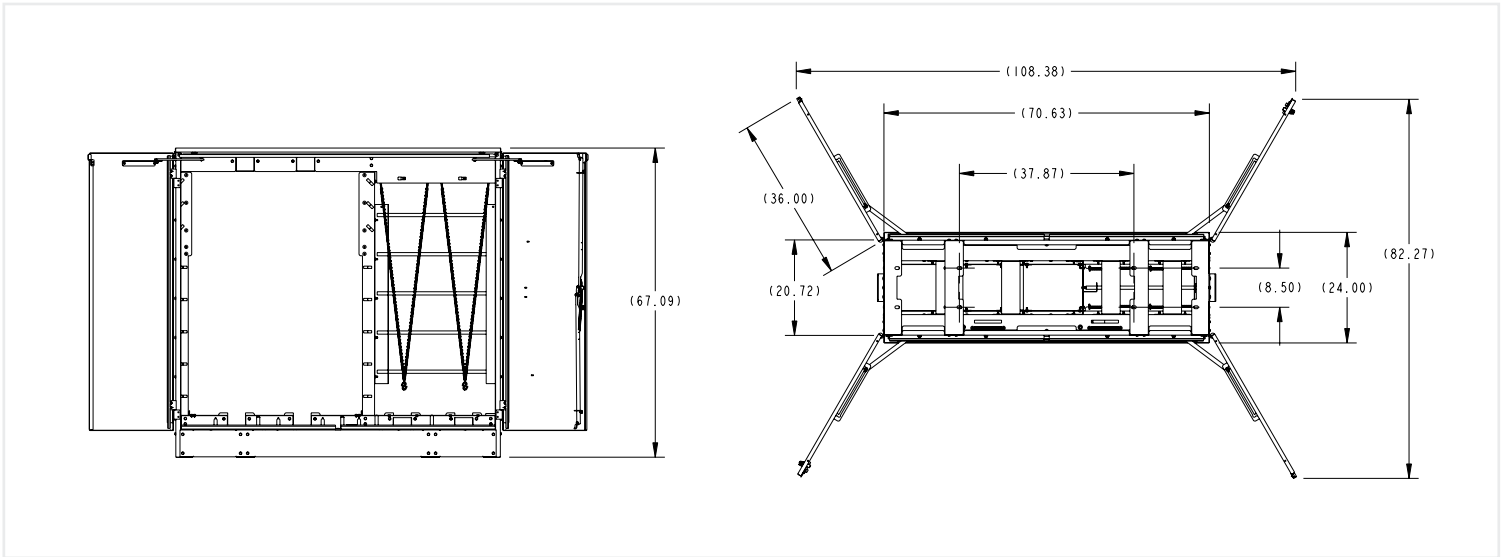
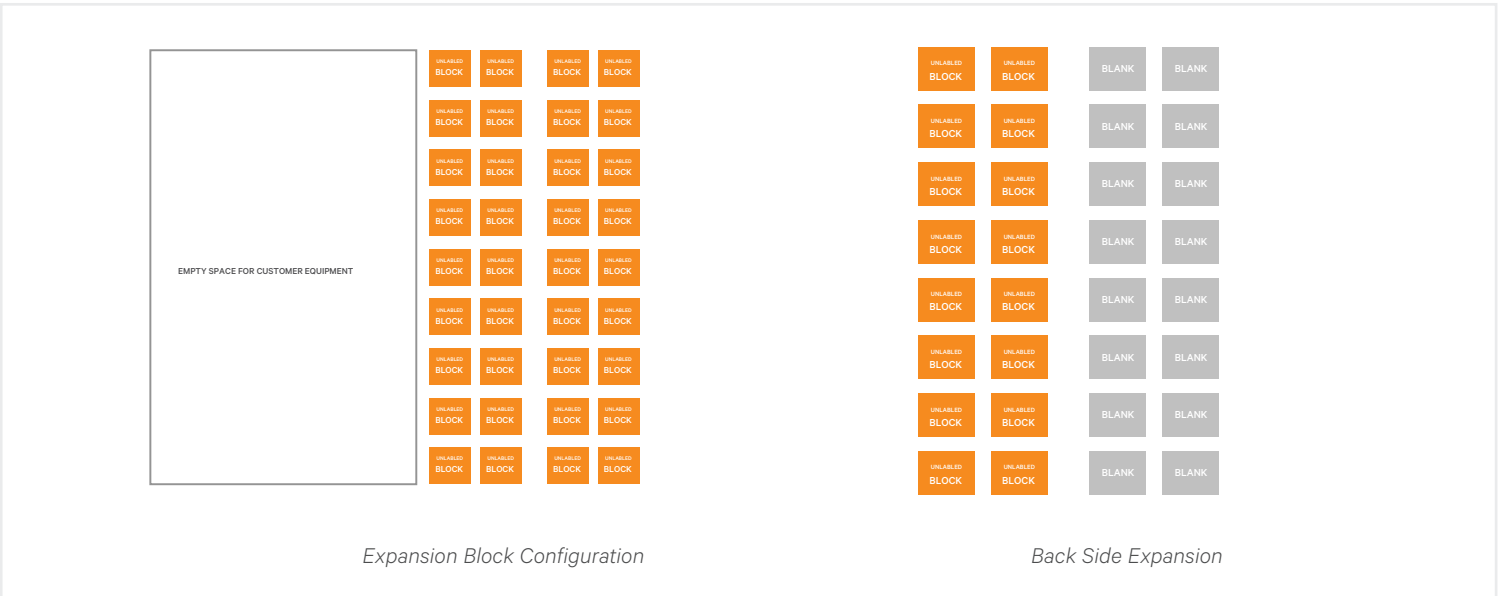


Figure 27a – Dimensions [40-Type Series, 70 x 67 x 24]



Expansion Block Configuration

Back Side Expansion

Figure 27b – Block Layout
[40-Type Series, 1800S to 3600S,
900-pair grills (2 x 9)]

Figure 27c – Block Layout
[40-Type Series, 2700S to 3600S,
900-pair grills (2 x 9)]



Figure 27d – Block Layout [40-Type Series, 3600D to 5400D, 900-pair grills (2 x 9)]



Figure 27e – Block Layout [40-Type Series, 3600D to 7200D, 900-pair grills (2 x 9)]

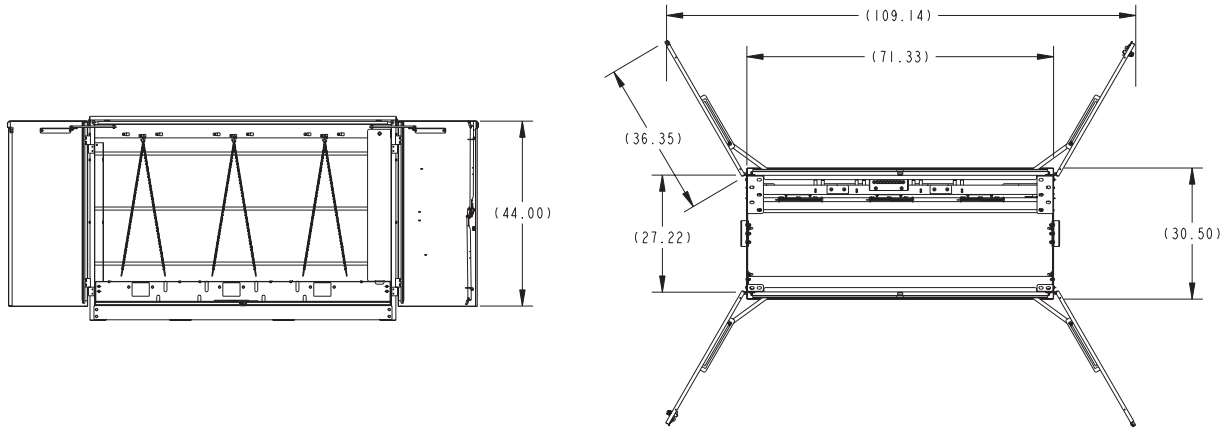
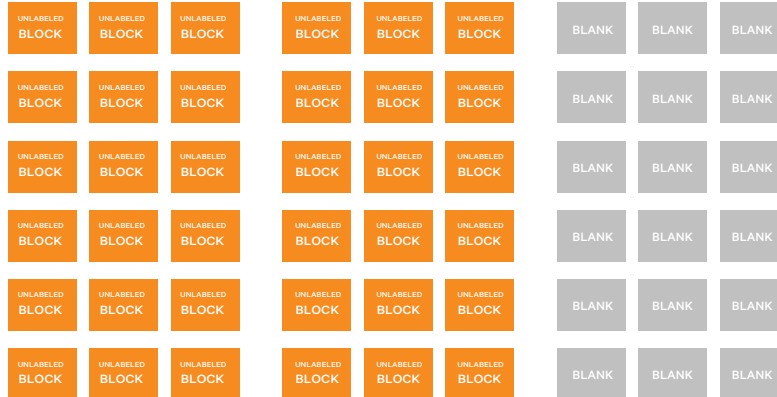


Figure 28a – Dimensions [40-Type Series, 44 x 72 x 31]



Back Side Expansion

Figure 28b – Block Layout [40-Type Series, 1800S to 3600D, 900-pair grills (3 x 6)]

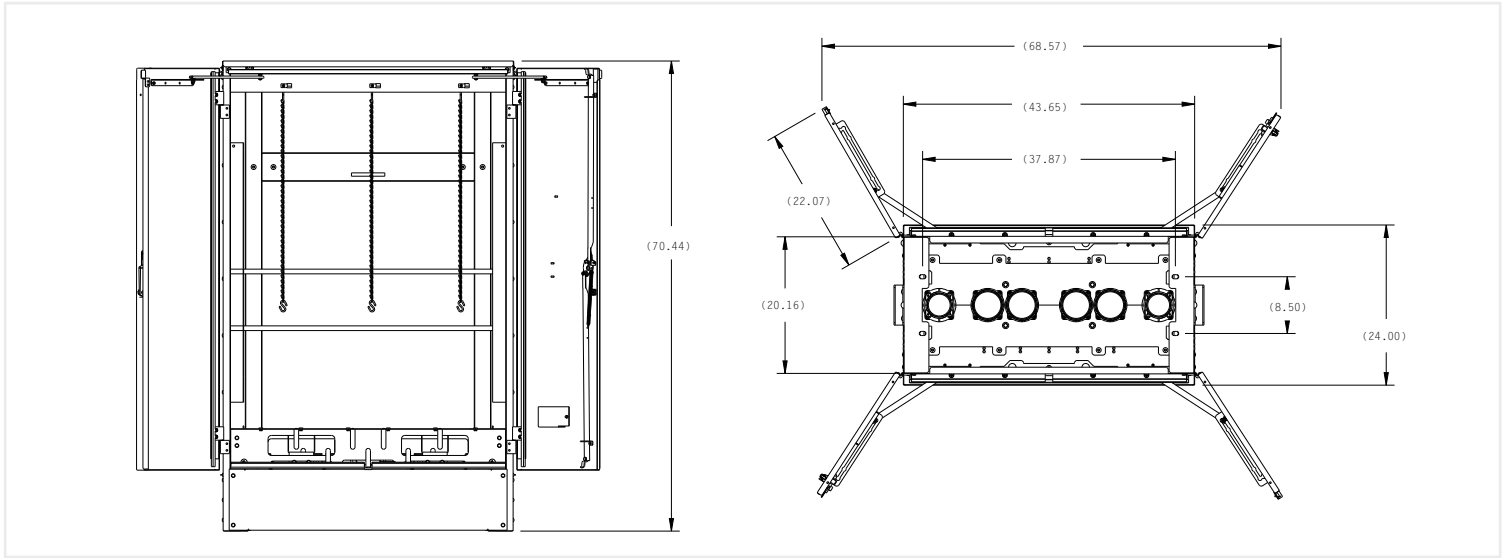
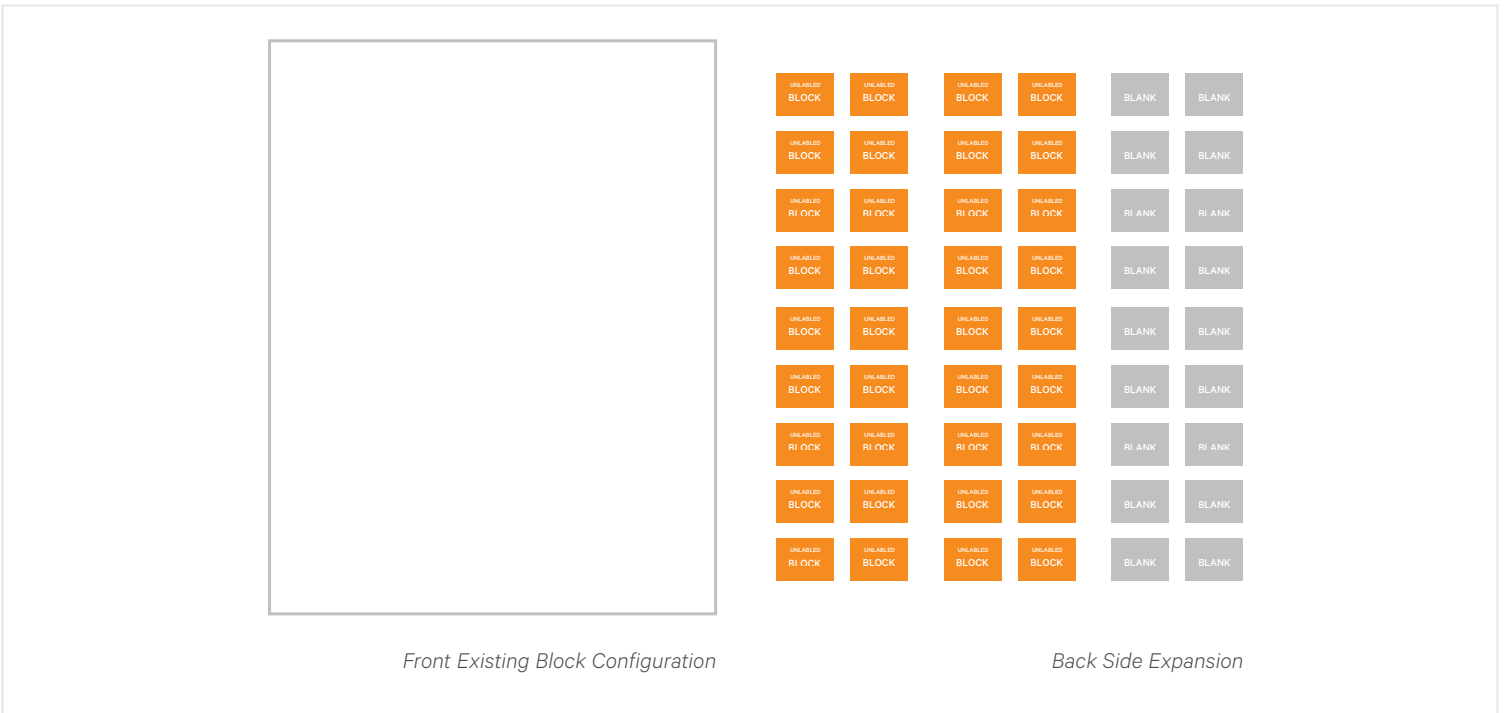


Figure 29a – Dimensions [40-Type Series, 70 x 44 x 24]



Front Existing Block Configuration

Back Side Expansion

Figure 29b – Block Layout [40-Type Series, 1800S to 3600D, 900-pair grills (2 x 9)]

EZ SERIES

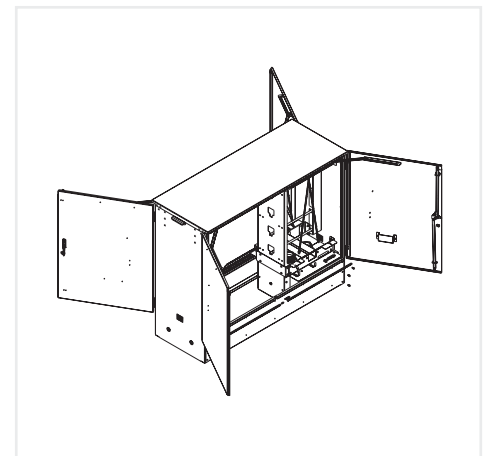
Description

EZ Series wrap-around cabinets allow for quick and easy expansion without disassembly of the existing cabinet. The EZ cabinet provides two expansion cable entrances behind drop-down grills with plenty of space for grooming and splicing cables.

- Drop-down grills
- Existing cabinet, cables and grills remain intact

Ordering Matrix

DESCRIPTION	VALUE	
Cabinet Type	EZEXP =	EZ expansion wrap-around cabinet
Pair Count	1827 =	Expands 1800-pair to 2700-pair
	1836 =	Expands 1800-pair to 3600-pair
	2736 =	Expands 2700-pair to 3600-pair
	2745 =	Expands 2700-pair to 4500-pair
	3645 =	Expands 3600-pair to 4500-pair
3654 =	Expands 3600-pair to 5400-pair	
Expanded Access	D =	Double
Splice Modules	CF =	710, capless, female, gel-filled
Color	W =	White



Ordering Information

CATALOG NO.	PART NO.	DESCRIPTION	TIGHT TWIST BLOCK	DIMENSIONS* (H X W X D)	BLOCK LAYOUT
EZEXP1827DCFW	F1010157	Expands 1800D to 2700D	545890	Fig. 30a	Fig. 30b
EZEXP1836DCFW	F1010158	Expands 1800D to 3600D	545890	Fig. 30a	Fig. 31b
EZEXP2736DCFW	F1010331	Expands 2700D to 3600D	545890	Fig. 31a	Fig. 30b
EZEXP2745DCFW	F1010138	Expands 2700D to 4500D	545890	Fig. 31a	Fig. 31b
EZEXP3645DCFW	F1010519	Expands 3600D to 4500D	545890	Fig. 32a	Fig. 30b
EZEXP3654DCFW	F1010159	Expands 3600D to 5400D	545890	Fig. 32a	Fig. 31b

* Approximate dimensions. See drawing for exact measurement.

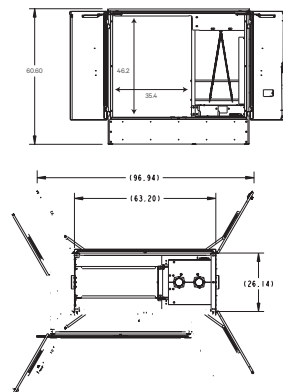


Figure 30a – Dimensions [1800D to 2700/3600D]

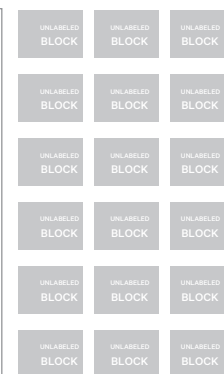
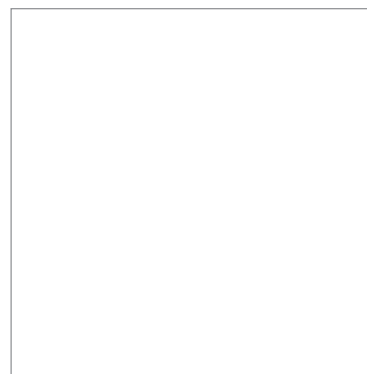


Figure 30b – Block Layout [1800D to 2700D]

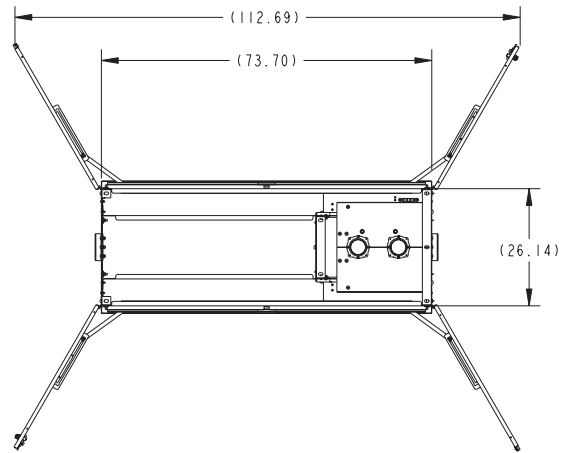
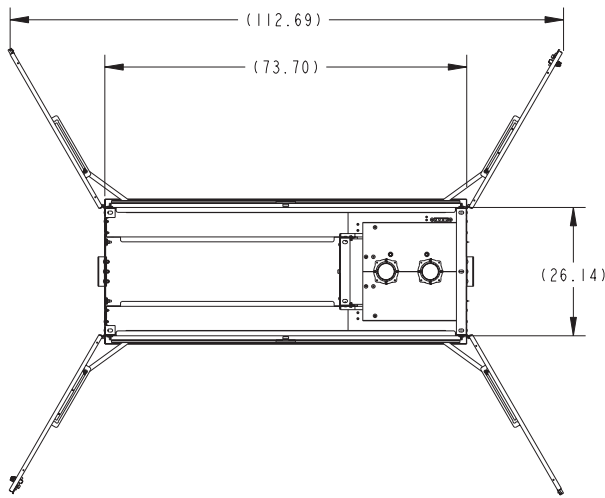
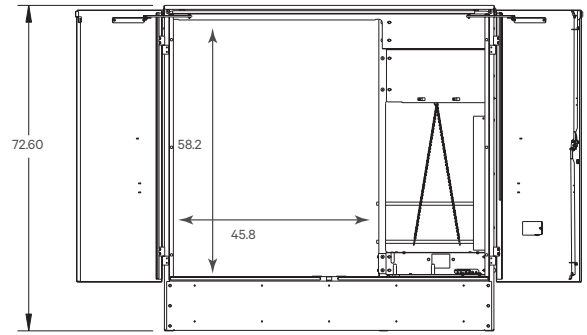
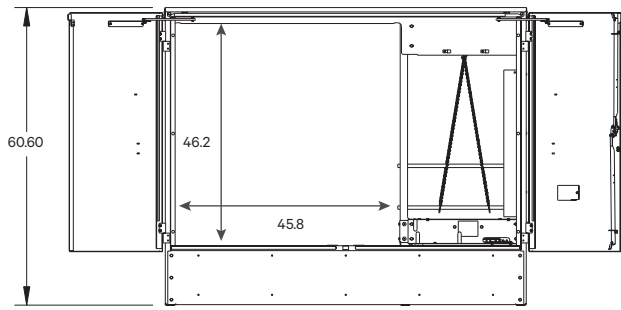
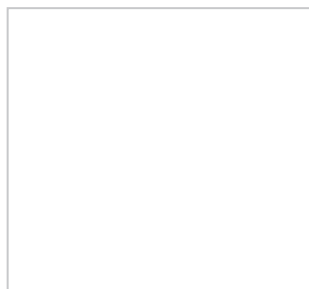


Figure 31a – Dimensions [EZ Series 2700D to 4500D]

Figure 32a – Dimensions [EZ Series 3600D to 5400D]



Front Side Expansion



Back Side Expansion

Figure 31b – Block Layout [EZ Series 1800D/2700D/3600D to 3600D/4500D/5400D]

Accessories

CATALOG NO.	PART NO.	DESCRIPTION
RLSE256CF	F1010011	Tight twist RLS25 block, 72" tail with 710 connector
RLS62TT/710-50	F1009767	Tight twist RLS50 block, CF/710 connector (order 2 block /100-pair)
P64606	F1005779	RLS50 terminal block label kit, one set of 1-2700 green (feeder) labels
123760	F1005780	RLS50 terminal block label kit, one set of 2701-5400 green (feeder) labels
123762	F1005781	RLS50 terminal block label kit, one set of 5401-8100 green (feeder) labels
P64506	F1005783	RLS50 terminal block label kit, one set of 1-2700 blue (distribution) labels
123761	F1005784	RLS50 terminal block label kit, one set of 2701-5400 blue (distribution) labels
123763	F1005785	RLS50 terminal block label kit, one set of 5401-8100 blue (distribution) labels
P53828	F553828	RLS50 special service caps, red (80/pkg)
RLSTEST1	F019128	RLS one-pair tester with 8' leads and ring terminal
RLSTEST1PKT	F019127	RLS50/3M one-pair pocket tester
RLSACTGRAY10	F567272	RLS replacement activators (package of 10)
GRLKID-400	F1009763	400-pr. drop-down grill kit (2 x 4 blocks) e/w RLS50, 710/CF connectors
GRLKID-600	F1009764	600-pr. drop-down grill kit (2 x 6 blocks) e/w RLS50, 710/CF connectors
GRLKID-900	F1009765	900-pr. drop-down grill kit (2 x 9 blocks) e/w RLS50, 710/CF connectors
GRLKITLP-900	F1009766	900-pr. drop-down grill kit (3 x 6 blocks) e/w RLS50, 710/CF connectors (low profile)
GRLKITUL600	F1010023	600-pr. LH grill kit e/w tight twist RLS50 blocks, 710 connectors (Universal "A" cabinet)
GRLKITUR600	F1010024	600-pr. RH grill kit e/w tight twist RLS50 blocks, 710 connectors (Universal "A" cabinet)
GRLKITUL900	F1010025	900-pr. LH grill kit e/w tight twist RLS50 blocks, 710 connectors (Universal "B" cabinet)
GRLKITUR900	F1010026	900-pr. RH grill kit e/w tight twist RLS50 blocks, 710 connectors (Universal "B" cabinet)
132155	F1008217	RLS purple (VRAD OUT /feeder) label kit (1-2700)
132156	F1008218	RLS purple (VRAD OUT /feeder) label kit (2701-5400)
132157	F1008219	RLS yellow (VRAD IN /distribution) label kit (1-2700)
132158	F1008220	RLS yellow (VRAD IN /distribution) label kit (2701-5400)
130265	F1008656	4.6" nozzle
P35313	F535313	Replacement door handle for cross connect cabinets
XREPAIRKIT6	F2007037	Upper and lower cross bars to convert one side of a 44" W ATT 40-type cabinet to use Vertiv drop-down grills
XREPAIRKIT10	F1010587	Upper and lower adapter bars to convert the fixed grill on one side of a 44" W ATT 40-type cabinet to be used in an Vertiv drop-down cabinet
RLS62TT710100	F1010328	Two 50-pair RLS blocks with 62" tight twist tails with 710 connectors
ULTRCABADRKIT	F1006466	Right and left hand almond color doors for rehab or expansion of Vertiv DRLS or UltraCab 38"H x 44" W cabinet with continuous (piano) hinges
ULTRCABBDRKIT	F1006467	Right and left hand almond color doors for rehab or expansion of Vertiv DRLS or UltraCab 50" H x 44" W cabinet with continuous (piano) hinges
ULTRCABCDRKIT	F1006468	Right and left hand almond color doors for rehab or expansion of Vertiv DRLS or UltraCab 67" H x 44" W cabinet with continuous (piano) hinges
ULTRCABADRKITEF	F1009063	Right and left hand almond color doors for rehab or expansion of Vertiv CXE XC UC 38" H x 44" W cabinet with lift-off hinges
EFULTRCABBDRKIT	F1008873	Right and left hand almond color doors for rehab or expansion of Vertiv CXE XC UC 50" H x 44" W cabinet with lift-off hinges
EFULTRCABCDRKIT	F1008874	Right and left hand almond color doors for rehab or expansion of Vertiv CXE XC UC 67" H x 44" W cabinet with lift-off hinges
EFULTRCABFDRKIT	F1008875	Right and left hand almond color doors for rehab of Vertiv CXE XC UC 50" H x 67" W cabinet with lift-off hinges

Accessories (continued)

CATALOG NO.	PART NO.	DESCRIPTION
EFUL72LPDRKIT	F1009133w	Right and left hand almond color doors for rehab of Vertiv™ CXE XC UC 50" H x 87" W cabinet with lift-off hinges
UNADRKITRLS	F1006536	Right and left hand almond color doors for rehab or expansion of Vertiv Universal 47"H x 41" W cabinet with continuous (piano) hinges
UNBDRKITRLS	F1006537	Right and left hand almond color doors for rehab or expansion of Vertiv Universal 50"H x 54" W cabinet with continuous (piano) hinges
UNADOORKITRLSEF	F1008697	Right and left hand almond color doors for rehab or expansion of Vertiv CXE XC UN 47" H x 41" W cabinet with lift-off hinges
UNCABBDKITEF	F1009090	Right and left hand almond color doors for rehab or expansion of Vertiv CXE XC UN 50" H x 54" W cabinet with lift-off hinges
ECABS600LP	F1008204	Replacement shell for Vertiv 600-pair max capacity, single sided 50" H x 16" W x 14" D cabinet. Color almond.
DRLS18DCABWA	F1008207	Replacement shell for Vertiv DRLS, UltraCab or Vertiv CXE XC UC 38"H x 44"W cabinet, max capacity 1200-pair (SA) or 2400 pair (DA). Color almond.
DRLS36DCABWA	F1008208	Replacement shell for Vertiv DRLS, UltraCab or Vertiv CXE XC UC 50" H x 44" W cabinet, max capacity 1800-pair (SA) or 3600 pair (DA). Color almond.
DRLS54DCABWA	F1008209	Replacement shell for Vertiv DRLS, UltraCab or Vertiv CXE XC UC 67" H x 44" W cabinet, max capacity 2700-pair (SA) or 5400 pair (DA). Color almond.
DRLS54LPDCABW	F1004709	Replacement shell for Vertiv DRLS, UltraCab or Vertiv CXE XC UC 50" H x 67" W cabinet, max capacity 2700-pair (SA) or 5400-pair (DA). Color almond.
DRLS72DCABWAHP	F1009968	Replacement shell for Vertiv DRLS, UltraCab or Vertiv CXE XC UC 50" H x 87" W cabinet, max capacity 3600-pair (SA) or 7200 pair (DA). Color almond.
546757LPP	F1010362	Replacement cabinet top for Vertiv DRLS, UltraCab or Vertiv CXE XC UC 44" W x 24" D cabinet. Color almond.
SCXHSRH3	F080650	Replacement shell for Vertiv harness 2700-pair or 3600-pair (DA) equipped with BT25 blocks. 70" H x 48" W x 24" D. Color almond. Internal supports and splice bars included.
SCXHDRH5	F080652	Replacement shell for Vertiv harness 2700-pair or 3600-pair (DA) equipped with BT25 blocks. 70"H x 48"W x 24"D. Color almond. Internal supports and splice bars are not included.
SCXWDRH5	F080658	Replacement shell for Vertiv stubbed 2700-pair or 3600-pair (DA) equipped with BT25 blocks. 70" H x 45" W x 24" D. Color almond.
CABSHLLRETROFIT4X12	F1008135	Replacement shell for Vertiv expander of harness 1800-pair (DA) equipped with BT25 blocks to 2700-pair (DA). 70" H x 37" W x 24" D. Color almond.
539411L	F1009574	Replacement cabinet top for Vertiv BT25 expansion cabinet, 60" W x 24" D. Color almond.
DROPD6X6SHLL	F080668	Replacement shell for Vertiv expander of ATT 40-type using a 53" H x 44" W x 24" D (DA) cabinet. Color almond.
502316	F1007808	Replacement shell for Vertiv expander of ATT 40-type using a 70" H x 44" W x 24" D (DA) cabinet with pairs added above existing blocks. Color almond.
DROPD6X6ATTCABW	F1002117	Replacement shell for Vertiv expander of ATT 40-type using a 70" H x 44" W x 24" D cabinet expanding from 2700-pair max (SA) to 5400-pair max (DA). Color almond.
SCXH24DAWCAB	F1007143	Replacement shell for Vertiv Universal swing-out style cabinet, 2400-pair max (DA), 53" H x 41" W x 24" D. Color almond.
SCXH36DAWCAB	F1007144	Replacement shell for Vertiv Universal swing-out style cabinet, 3600-pair max (DA), 53" H x 54" W x 24" D. Color almond.
SCXH54DAWCAB	F1007145	Replacement shell for Vertiv Universal swing-out style cabinet, 5400-pair max (DA), 67" H x 53" W x 24" D. Color almond.

Contact your local sales representative with questions or call 1-800-800-1280 for support.

This page is intentionally blank.



VertivCo.com | Vertiv Headquarters, 1050 Dearborn Drive, Columbus, OH, 43085, USA

© 2018 Vertiv Co. All rights reserved. Vertiv and the Vertiv logo are trademarks or registered trademarks of Vertiv Co. All other names and logos referred to are trade names, trademarks or registered trademarks of their respective owners. While every precaution has been taken to ensure accuracy and completeness herein, Vertiv Co. assumes no responsibility, and disclaims all liability, for damages resulting from use of this information or for any errors or omissions. Specifications are subject to change without notice.