



Metal Mounting Templates

Description and Installation Manual (644-200-010), Revision E

Specification Number: 105411

The information contained in this document is subject to change without notice and may not be suitable for all applications. While every precaution has been taken to ensure the accuracy and completeness of this document, Vertiv Group Corporation assumes no responsibility and disclaims all liability for damages resulting from use of this information or for any errors or omissions. Refer to other local practices or building codes as applicable for the correct methods, tools, and materials to be used in performing procedures not specifically described in this document.

This document may contain confidential and/or proprietary information of Vertiv Group Corporation, and its receipt or possession does not convey any right to reproduce, disclose its contents, or to manufacture or sell anything that it may describe. Reproduction, disclosure, or use without specific authorization from Vertiv Group Corporation is strictly prohibited.

Vertiv and the Vertiv logo are trademarks or registered trademarks of Vertiv Group Corporation. NetPerform™, NetReach™, NetSure™ and NetXtend™ are trademarks of Vertiv Energy Systems, Inc. All other trademarks are the property of their respective owners.

© 2017 Vertiv Energy Systems, Inc. All rights reserved.

TABLE OF CONTENTS

| | |
|---|-----------|
| Admonishments Used in this Document | 4 |
| Important Safety Instructions | 5 |
| General Safety | 5 |
| Personal Protective Equipment (PPE)..... | 6 |
| Handling Equipment Containing Static Sensitive Components..... | 6 |
| Static Warning | 6 |
| About this Document | 7 |
| Purpose | 7 |
| Reason for Reissue | 7 |
| Other Practices..... | 7 |
| Description | 7 |
| Application | 7 |
| Description..... | 7 |
| Mounting Rings | 8 |
| Conduit Alignment Templates..... | 10 |
| Installation | 12 |
| Cabinet Cable Entry Locations..... | 12 |
| Cable Entry Locations for UltraCab Cabinets..... | 12 |
| Cable Entry Locations for Universal Cabinets..... | 13 |
| Cable Entry Locations for Low Profile Cabinets..... | 15 |
| Positions of Mounting Anchors..... | 16 |
| DC Power, Outdoor Enclosure & Service Contacts | 19 |

ADMONISHMENTS USED IN THIS DOCUMENT



DANGER! Warns of a hazard the reader *will* be exposed to that will *likely* result in death or serious injury if not avoided. (ANSI, OSHA)



WARNING! Warns of a potential hazard the reader *may* be exposed to that *could* result in death or serious injury if not avoided. This admonition is not used for situations that pose a risk only to equipment, software, data, or service. (ANSI)



CAUTION! Warns of a potential hazard the reader *may* be exposed to that *could* result in minor or moderate injury if not avoided. (ANSI, OSHA) This admonition is not used for situations that pose a risk only to equipment, data, or service, even if such use appears to be permitted in some of the applicable standards. (OSHA)



ALERT! Alerts the reader to an action that *must be avoided* in order to protect equipment, software, data, or service. (ISO)



ALERT! Alerts the reader to an action that *must be performed* in order to prevent equipment damage, software corruption, data loss, or service interruption. (ISO)



FIRE SAFETY! Informs the reader of fire safety information, reminders, precautions, or policies, or of the locations of fire-fighting and fire-safety equipment. (ISO)



SAFETY! Informs the reader of general safety information, reminders, precautions, or policies not related to a particular source of hazard or to fire safety. (ISO, ANSI, OSHA)

IMPORTANT SAFETY INSTRUCTIONS

General Safety



DANGER! Installation of this kit should only be performed by a qualified technician following approved safety procedures. If a qualified technician is not available, arrangements can be made with a Vertiv service facility to have the kit installed.



DANGER! YOU MUST FOLLOW APPROVED SAFETY PROCEDURES.

Performing the following procedures may expose you to hazards. These procedures should be performed by qualified technicians familiar with the hazards associated with this type of equipment. These hazards may include shock, energy, and/or burns. To avoid these hazards:

- a) The tasks should be performed in the order indicated.
- b) Remove watches, rings, and other metal objects.
- c) Prior to contacting any uninsulated surface or termination, use a voltmeter to verify that no voltage or the expected voltage is present. Check for voltage with both AC and DC voltmeters prior to making contact.
- d) Wear eye protection.
- e) Use certified and well maintained insulated tools. Use double insulated tools appropriately rated for the work to be performed.

Personal Protective Equipment (PPE)



DANGER! ARC FLASH AND SHOCK HAZARD.

Appropriate PPE and tools required when working on this equipment. An appropriate flash protection boundary analysis should be done determine the “hazard/risk” category, and to select proper PPE.



Only authorized and properly trained personnel should be allowed to install, inspect, operate, or maintain the equipment.

Do not work on LIVE parts. If required to work or operate live parts, obtain appropriate Energized Work Permits as required by the local authority, per NFPA 70E “Standard for Electrical Safety in the Workplace”.

Handling Equipment Containing Static Sensitive Components



ALERT! Installation or removal of equipment containing static sensitive components requires careful handling. Before handling any equipment containing static sensitive components, read and follow the instructions contained on the Static Warning Page.

STATIC WARNING



This equipment contains static sensitive components. The warnings listed below must be observed to prevent damage to these components. Disregarding any of these warnings may result in personal injury or damage to the equipment.

1. Strictly adhere to the procedures provided in this document.
2. Before touching any equipment containing static sensitive components, discharge all static electricity from yourself by wearing a wrist strap grounded through a one megohm resistor. Some wrist straps have a built-in one megohm resistor; no external resistor is necessary. Read and follow wrist strap manufacturer’s instructions outlining use of a specific wrist strap.
3. Do not touch traces or components on equipment containing static sensitive components. Handle equipment containing static sensitive components only by the edges that do not have connector pads.
4. After removing equipment containing static sensitive components, place the equipment only on conductive or anti-static material such as conductive foam, conductive plastic, or aluminum foil. Do not use ordinary Styrofoam™ or ordinary plastic.
5. Store and ship equipment containing static sensitive components only in static shielding containers.
6. If necessary to repair equipment containing static sensitive components, wear an appropriately grounded wrist strap, work on a conductive surface, use a grounded soldering iron, and use grounded test equipment.

ABOUT THIS DOCUMENT

Purpose

This practice provides information for the installation of the Metal Mounting Templates for Cross-Connect cabinets.

Reason for Reissue

This practice has been reissued to provide updated installation instructions.

Other Practices

Refer to other company and local practices for the correct methods, tools, and materials to be used in performing procedures not specifically described within this practice.



NOTE! *The information contained in this practice may not be suitable in all situations.*

DESCRIPTION

Application

The Metal Mounting Templates are used to align conduit entering Universal swing-out style cabinets and DRLS/UltraCab drop-down style cabinets.

The illustrations in this practice are not drawn to scale.

Description

A Metal Mounting Template consists of two components: A Mounting Ring and a Conduit Alignment Template that fits into the Mounting Ring. Several types of each component are available. Information on these components is provided as follows:

- The Mounting Ring and Conduit Alignment Template needed for each cabinet model is listed in **Table 1**.
- The Mounting Rings are described in *Mounting Rings*.
- The Conduit Alignment Templates are described in *Conduit Alignment Templates*.

Table 1: Mounting Template Components for each Cabinet Model

| Cabinet | Mounting Ring | Conduit Alignment Template |
|----------------------------|---------------|----------------------------|
| 600/1200 Pair UltraCab | F571315 | None |
| 1200/2400 Pair UltraCab | F571315 | F1005158 |
| 1800/3600 Pair UltraCab | F571315 | F1005158 |
| 2700/5400 Pair UltraCab | F571315 | F1005158 |
| 1200/2400 Pair Universal | F571315 | F1005156 |
| 1800/3600 Pair Universal | F571315 | F1005156 |
| 2700/5400 Pair Universal | F571315 | F1005156 |
| 2700/5400 Pair Low Profile | F571316 | F1005158 |
| 4050/8100 Pair Long Base | F571316 | F1005158 |
| 7200 Pair Low Profile | F1005091 | F1005161 |

MOUNTING RINGS

Three Mounting Rings are available:

- The F571315 Mounting Ring (shown in **Figure 1**) is used with UltraCab and Universal cabinets. It can be used with the F1005156 and F1005158 Conduit Alignment Templates.
- The F571316 Mounting Ring (shown in **Figure 2**) is used with the 2700/5400 Pair Low Profile and 4050/8100 Pair Long Base cabinets. It is used with the F1005158 Conduit Alignment Template.
- The F1005091 Mounting Ring (shown in **Figure 3**) is used with the 7200 Pair Low Profile cabinet. It is used with the F1005161 Conduit Alignment Template.



NOTE! The Conduit Alignment Templates are described in Section Conduit Alignment Templates.

Figure 1: Mounting Ring F571315

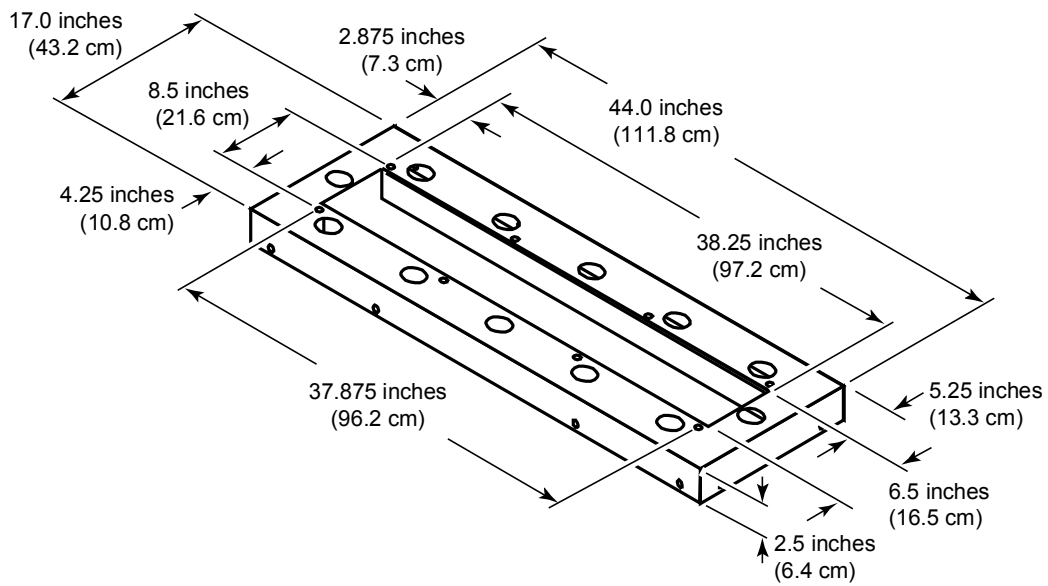


Figure 2: Mounting Ring F571316

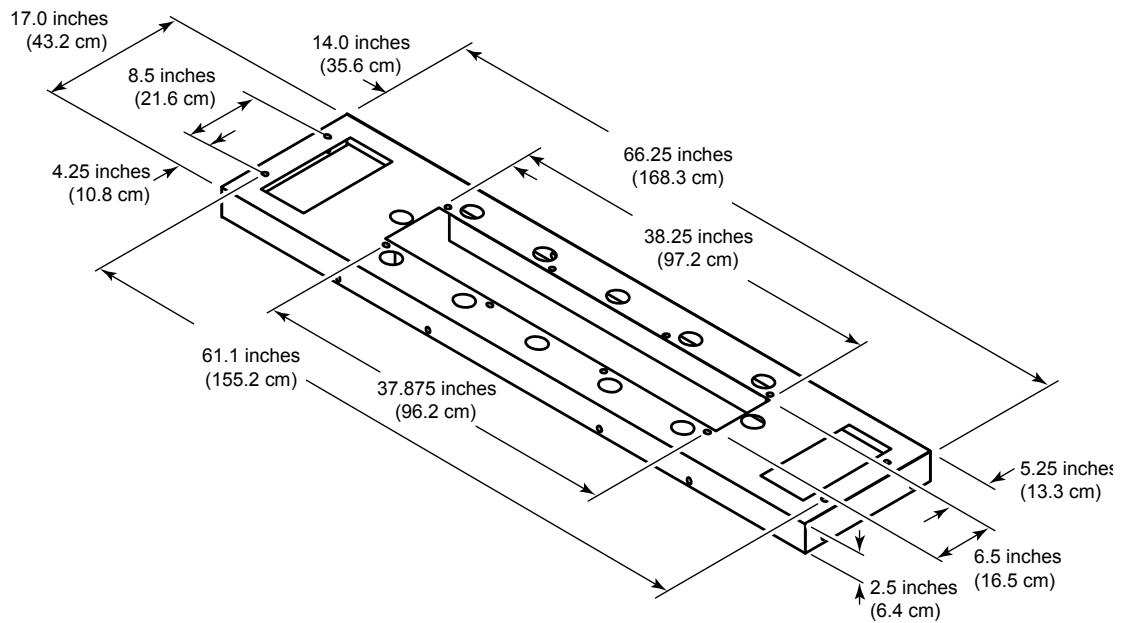
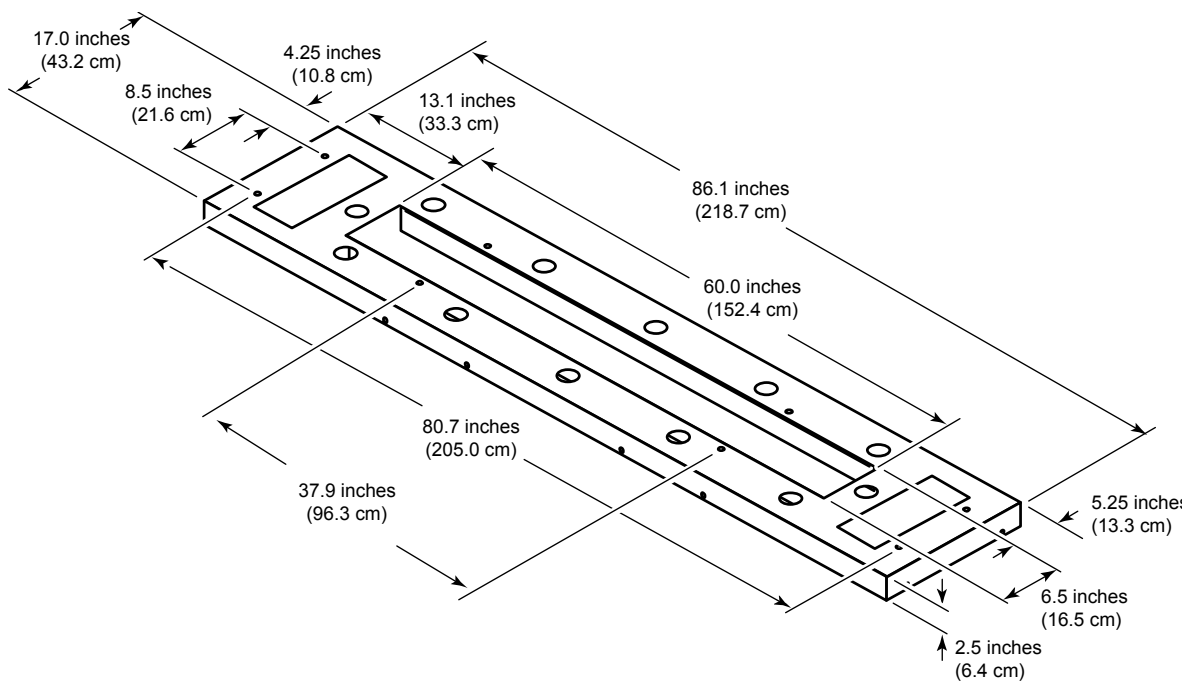


Figure 3: Mounting Ring F1005091



Conduit Alignment Templates

The Conduit Alignment Templates fit into the center cut-out of the Mounting Rings. Four Conduit Alignment Templates are available:

- The F1005156 Conduit Alignment Template (shown in **Figure 4**) fits into the F571315 Mounting Ring, and this combination is used with 1200/2400 Pair, 1800/3600 and 2700/5400 Pair Universal cabinets.
- The F1005158 Conduit Alignment Template (shown in **Figure 5**) fits into the F571315 Mounting Ring, and this combination is used with the 1200/2400 Pair, 1800/3600 Pair, and 2700/5400 Pair UltraCab cabinets. It also fits into the F571316 Mounting Ring, and this combination is used with the 2700/5400 Pair Low Profile and the 4050/8100 Pair Long Base cabinets.
- The F1005161 Conduit Alignment Template (shown in **Figure 6**) fits into the F1005091 Mounting Ring, and this combination is used with the 7200 Pair Low Profile cabinet.



NOTE! The Mounting Rings are described in Section Mounting Rings.

Figure 4: Conduit Alignment Template F1005156

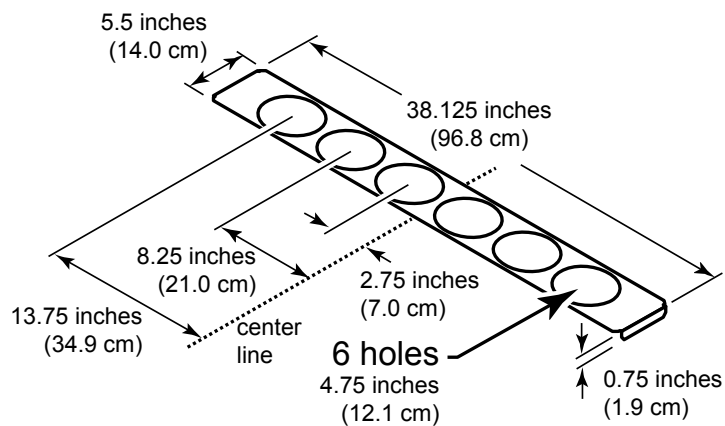


Figure 5: Conduit Alignment Template F1005158

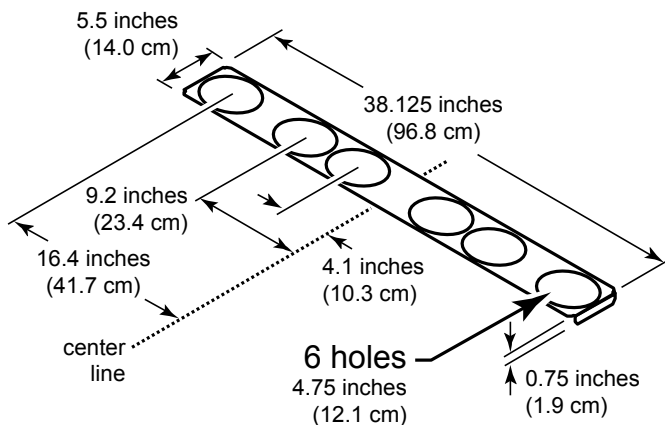
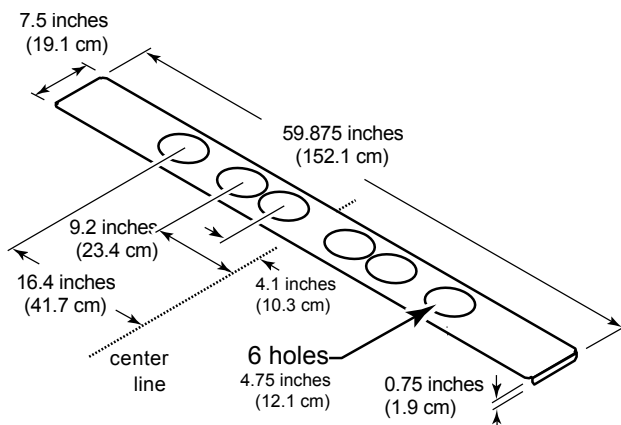


Figure 6: Conduit Alignment Template F1005161



INSTALLATION

Cabinet Cable Entry Locations

The cable entry locations for the various cabinet types are shown in the figures that follow in Cable Entry Locations for UltraCab Cabinets and Cable Entry Locations for Universal Cabinets. Information on the mounting anchors is provided in Section Positions of Mounting Anchors.

Cable Entry Locations for UltraCab Cabinets

The base of the DRLS and UltraCab Drop-Down Style cabinets are shown in **Figure 7** and **Figure 8**.

Figure 7: 600/1200-Pair UltraCab Cabinet Base (Bottom View)

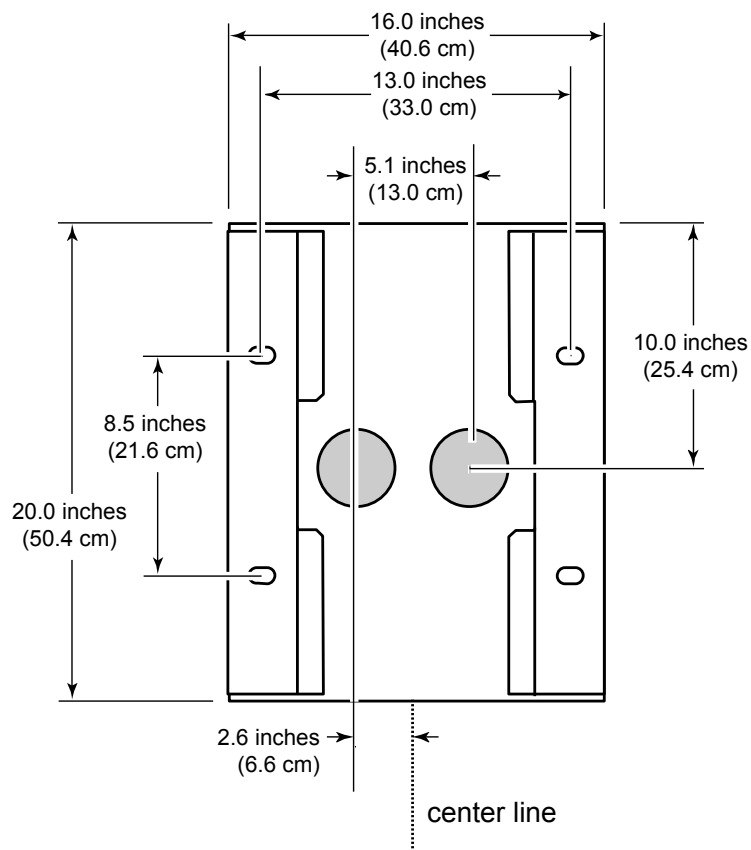
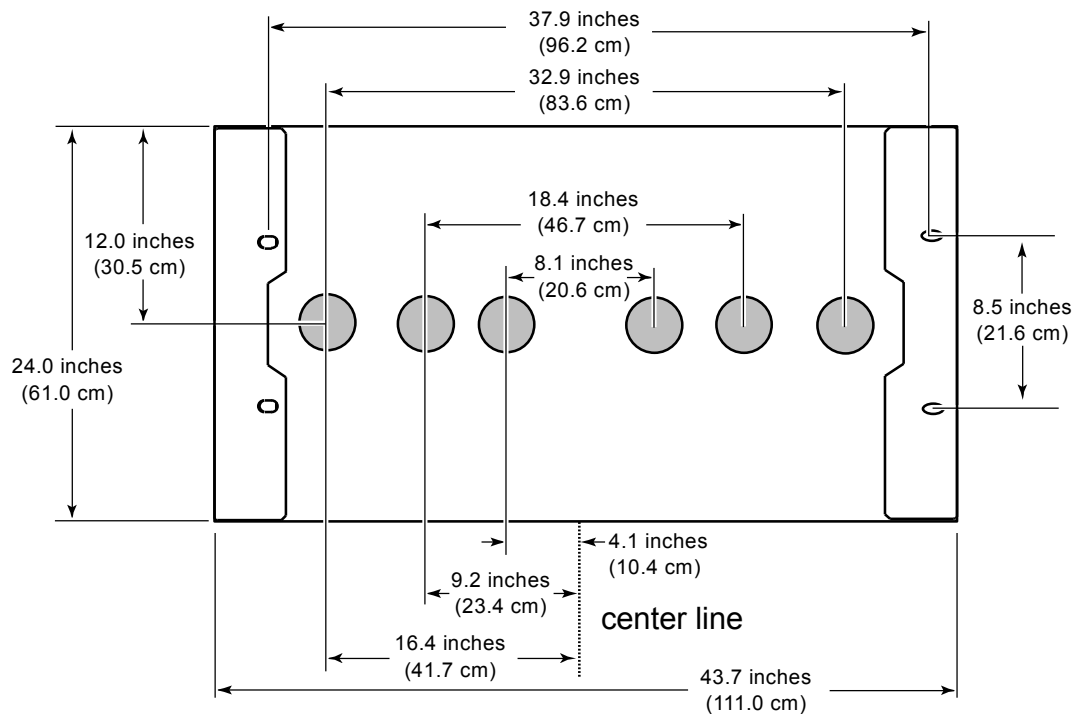


Figure 8: UltraCab (1200/2400, 1800/3600, and 2700/5400-Pair) Cabinet Base (Bottom View)



Cable Entry Locations for Universal Cabinets

The bases of the various Universal Swing-Out Style cabinets are shown in **Figure 9** and **Figure 10**.

Figure 9: 1200/2400-Pair Universal Cabinet Base (Bottom View)

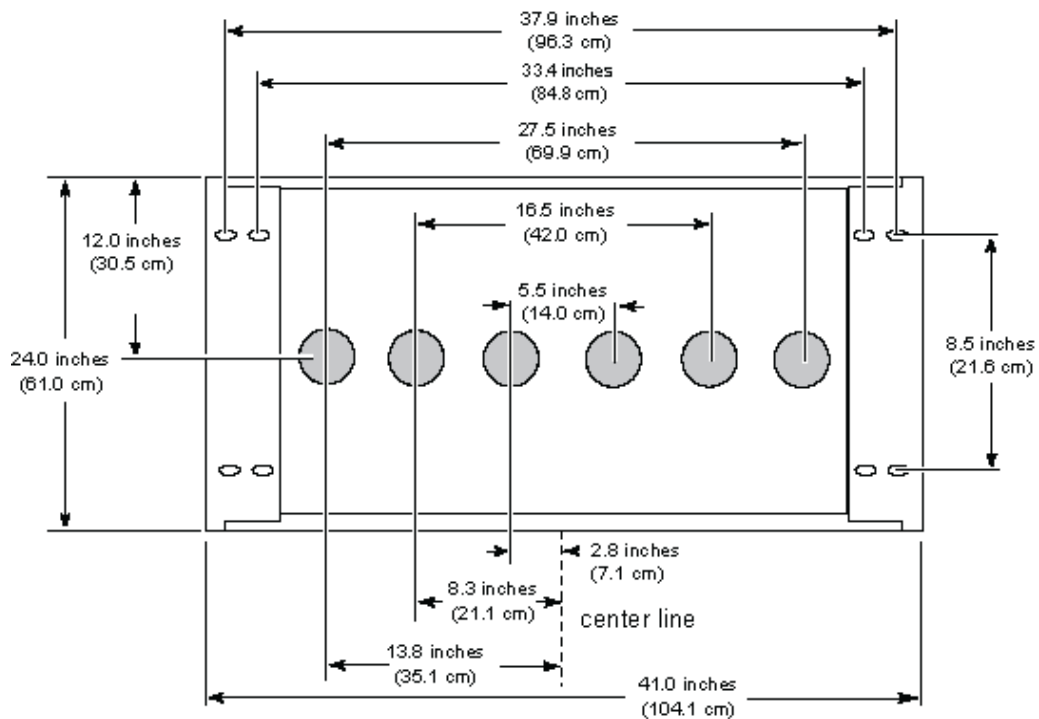
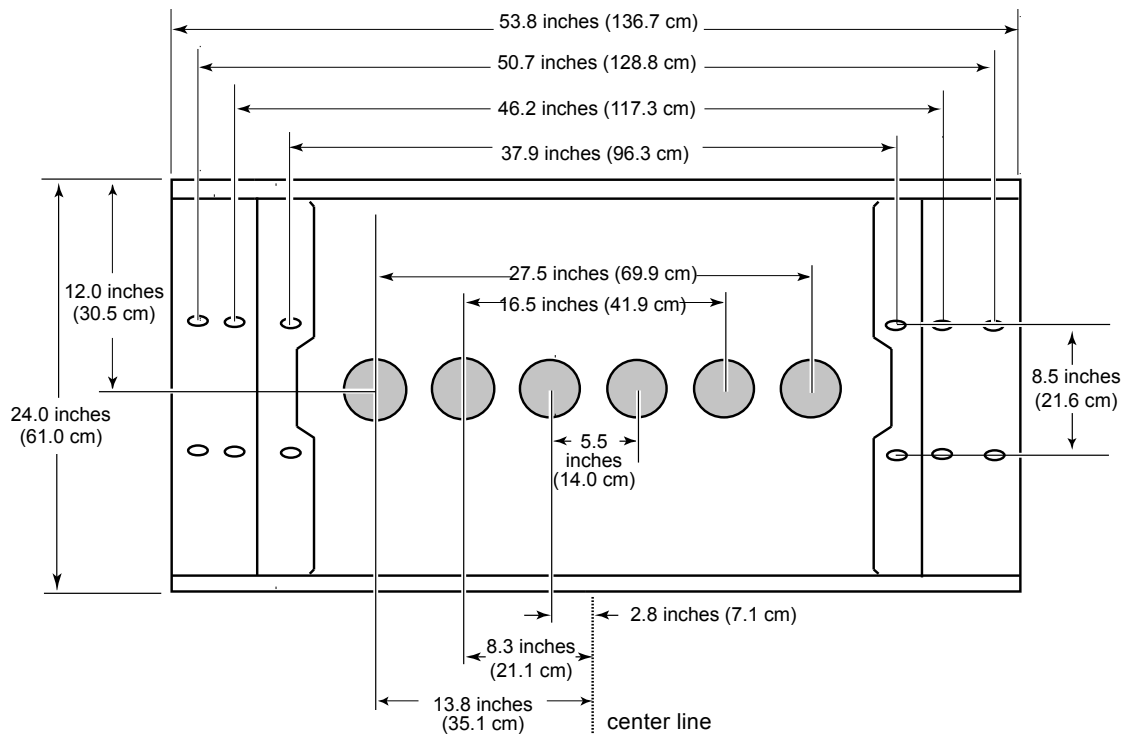


Figure 10: 1800/3600 and 2700/5400-Pair Universal Cabinet Base (Bottom View)



Cable Entry Locations for Low Profile Cabinets

The base of the Low-Profile cabinets are shown in **Figure 11** and **Figure 12**.

Figure 11: 2700/5400-Pair Low Profile and 4000/8100-Pair Long Base Cabinet Base (Bottom View)

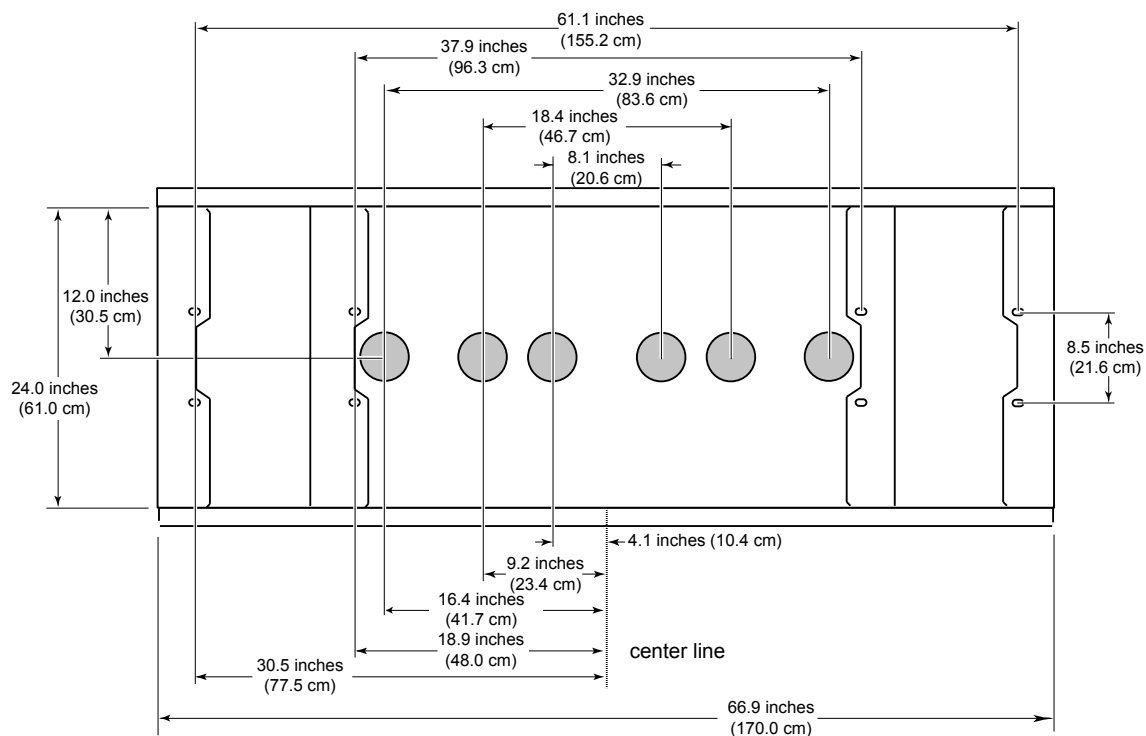
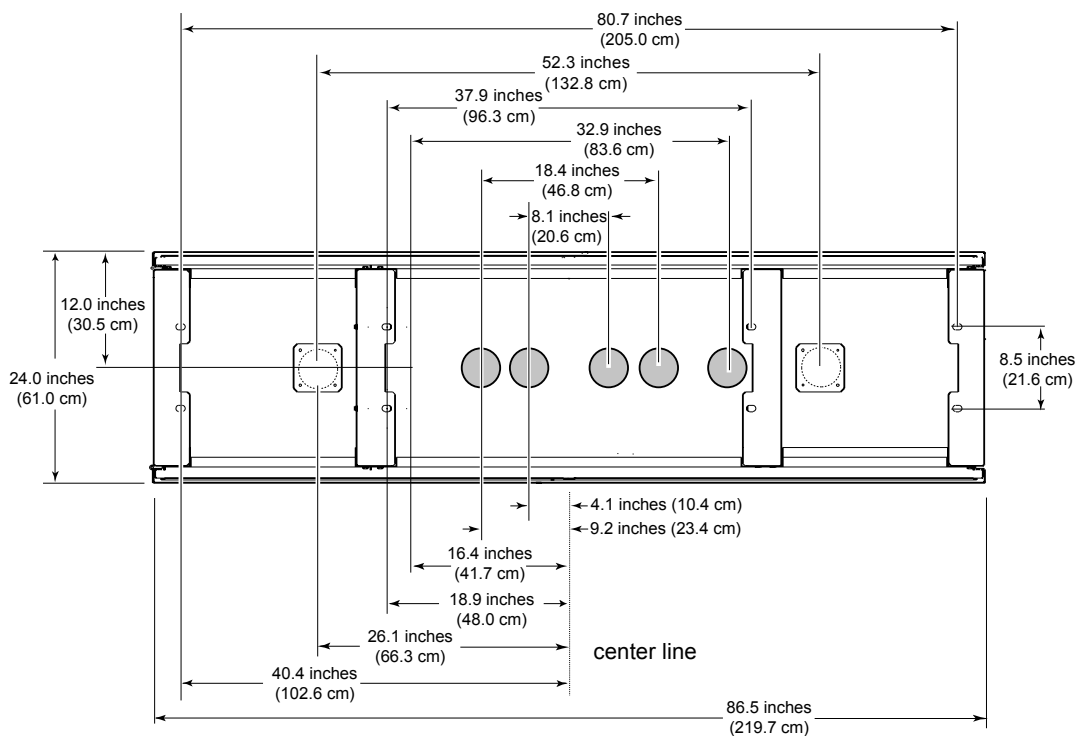


Figure 12: 7200-Pair Low Profile Cabinet Base (Bottom View)



Positions of Mounting Anchors

Refer to **Figure 13** and **Figure 14** for the positions of the mounting anchors, and perform the following steps:

Figure 13: Position of Mounting Anchors

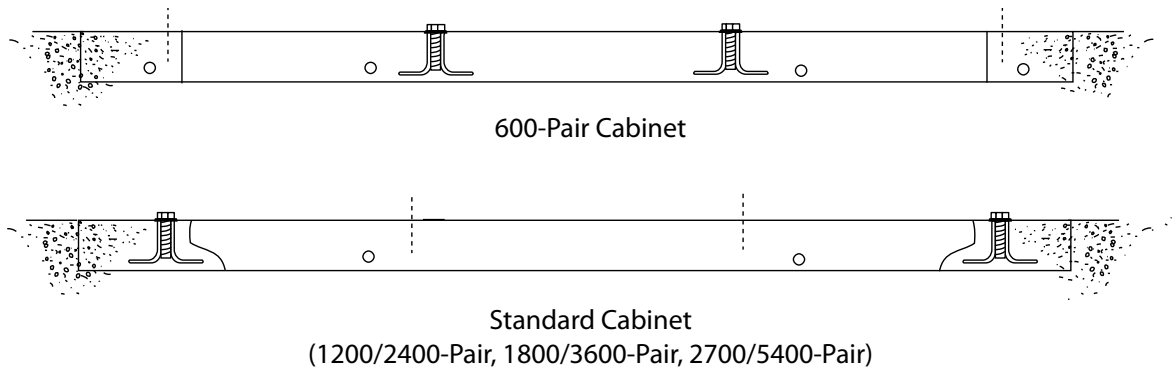


Figure 14: Mounting Plate F571315 with Hardware and Leveling Stakes

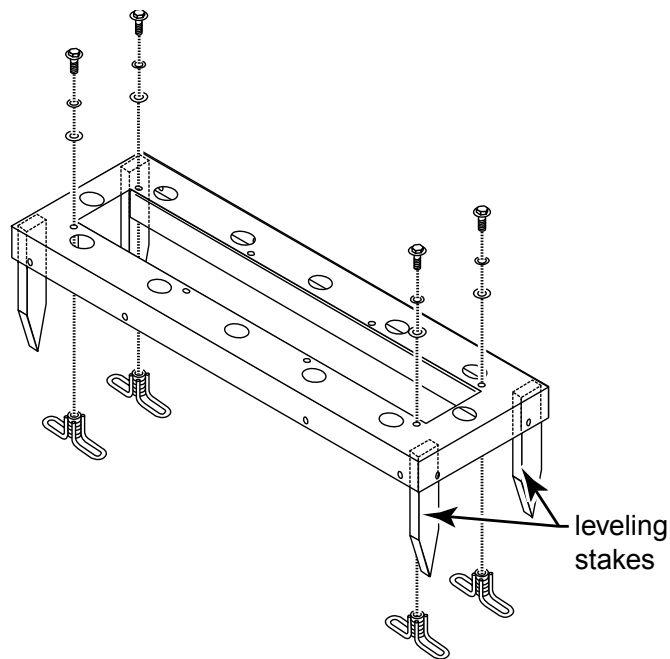
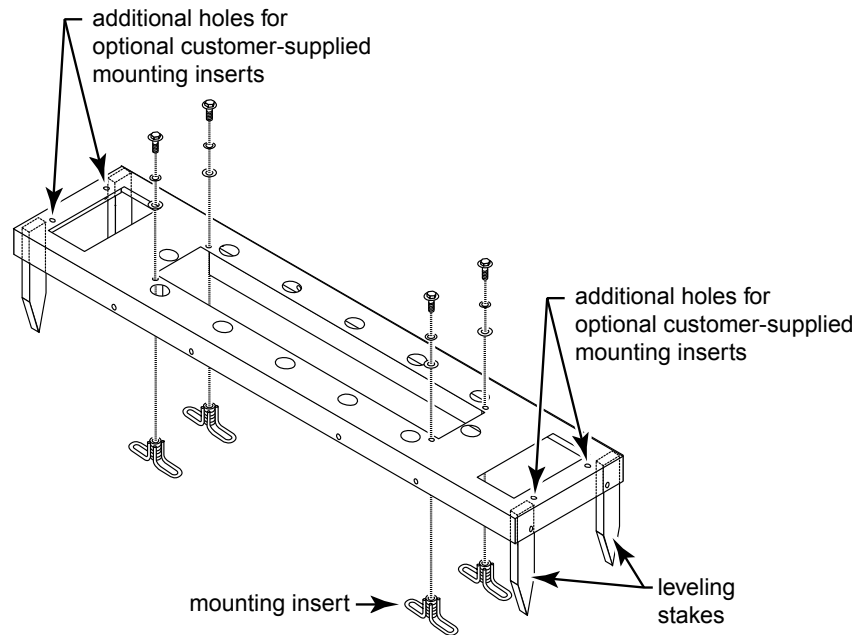
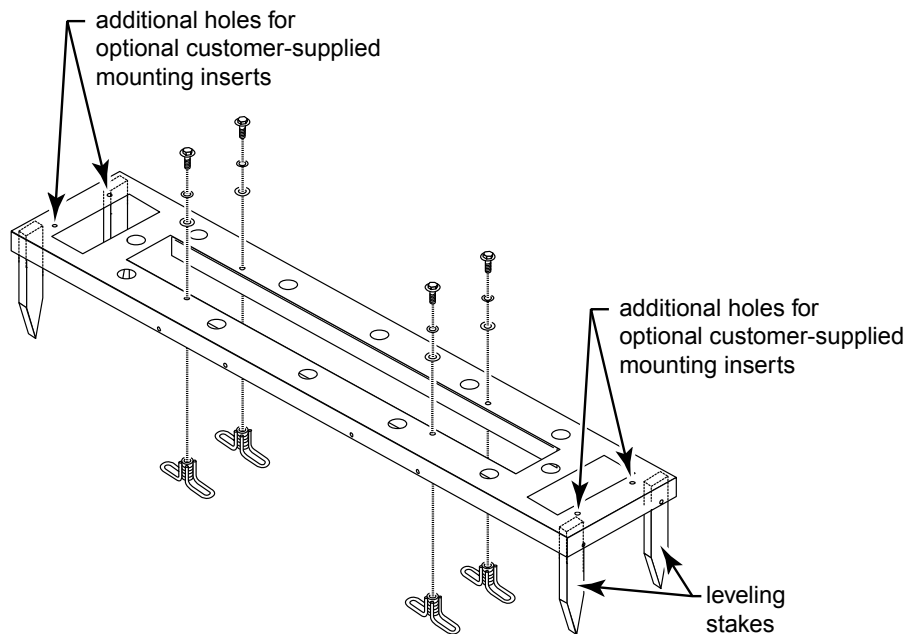



Figure 15: Mounting Plate F571316 with Hardware and Leveling Stakes



NOTE! The four mounting inserts supplied with the cabinet, used as shown in **Figure 15**, are enough to secure the cabinet. However, for additional stability, you can install four additional inserts (customer supplied) in the additional mounting insert holes (shown in **Figure 15**).

Figure 16: Mounting Plate F1005091 with Hardware and Leveling Stakes



 **NOTE!** The four mounting inserts supplied with the cabinet, used as shown in **Figure 16**, are enough to secure the cabinet. However, for additional stability, you can install four additional inserts (customer supplied) in the additional mounting insert holes (shown in **Figure 15**).

1. Leave anchors and hardware in Mounting Ring.
2. Set the Mounting Ring on leveling stakes.
3. Make sure that the Mounting Ring is level, then pour concrete.
4. After the concrete has set, remove the hardware from the anchors, place the cabinet, and secure with the hardware.

DC POWER, OUTDOOR ENCLOSURE & SERVICE CONTACTS

| CUSTOMER SERVICE (PRE-SHIPMENT) | | |
|---|--|--|
| Email | CustomerService.ESNA@VertivCo.com | Pricing and availability ^[1,2] , purchase orders, expediting requests and order tracking. Ask for your company's dedicated Customer Service Associate. |
| Phone | 1.800.800.1280 option 1 | |
| CUSTOMER SUPPORT CENTER (POST-SHIPMENT) | | |
| Email | ESNACustomerSupportCenter@VertivCo.com | After an order has shipped, contact our Customer Support Center with related questions, concerns or claims. |
| Phone | 1.956.661.6867 | |
| PRODUCTS | | |
| Email | AccountManagement.ESNA@VertivCo.com | Provides quotes and bid responses for custom configured ^[2] DC power systems and outdoor enclosures for customers and channel partners (Reps, VARs & Distributors). |
| Phone | 1.800.800.1280 option 2 | |
| SPARE PARTS | | |
| Email | DCpower.Spares@VertivCo.com OSP.Spares@VertivCo.com | Pricing and purchase orders for spare parts, including but not limited to breakers, cables, fuses, rectifier fans, misc. breaker and fuse panels, enclosure fans, doors and switches, etc. |
| Phone | 1.800.800.1280 option 5 | |
| DC POWER DEPOT REPAIR | | |
| Email | DCpower.Repair@VertivCo.com | Creates and processes RMAs for depot repair and refurbishment. Determines repair and refurbishment lead times and pricing based on warranties/contractual agreements. Provides repair shipping information and status. |
| Phone | 1.800.800.1280 option 6 | |
| INSTALLATION & AFTER MARKET SERVICES | | |
| Email | ESNA.FieldService@VertivCo.com | Provides quotes for engineering, furnishing and installation of DC power systems, telecom & IT equipment, cabling infrastructure, and field services of existing DC equipment. |
| TECHNICAL SUPPORT | | |
| Email | DCpower.TAC@VertivCo.com OSP.TAC@VertivCo.com | Answers technical product and system questions; determines status of warranties and contractual agreements for repair. |
| Phone | 1.800.800.5260 | |

[1] Contact Account Management for custom configurations.
 [2] Contact Spare Parts for parts and accessories.

