

Avocent® HMX Extender System

HMX 8000, HMX 6500 and HMX Advanced Manager



Rack Mount Installation Guide

This guide covers:

- Avocent HMX 8000 High Performance KVM extender system transmitters and receivers.
- Avocent HMX 6500 High Performance KVM receivers.
- Avocent HMX Advanced Manager G2 servers

CAUTION: Avocent HMX devices and their power supplies generate heat during operation. Do not mount them where air cannot circulate to cool the equipment. One-third of the U space (1/2 inch) must be allowed between rows of extenders when mounting within a rack chassis.

Do not operate the system in ambient temperatures exceeding 104°F (40°C) or place transmitters or receivers in contact with equipment that exceeds that surface temperature.

1. Installing in the rack

Install the rack mount tray in the rack and fully secure it.

2. Installing in the tray

Place your Avocent HMX device into each side of the rack mount tray so the rear panels press up against the small pegs on the side walls.

3. Inserting the thumbscrew

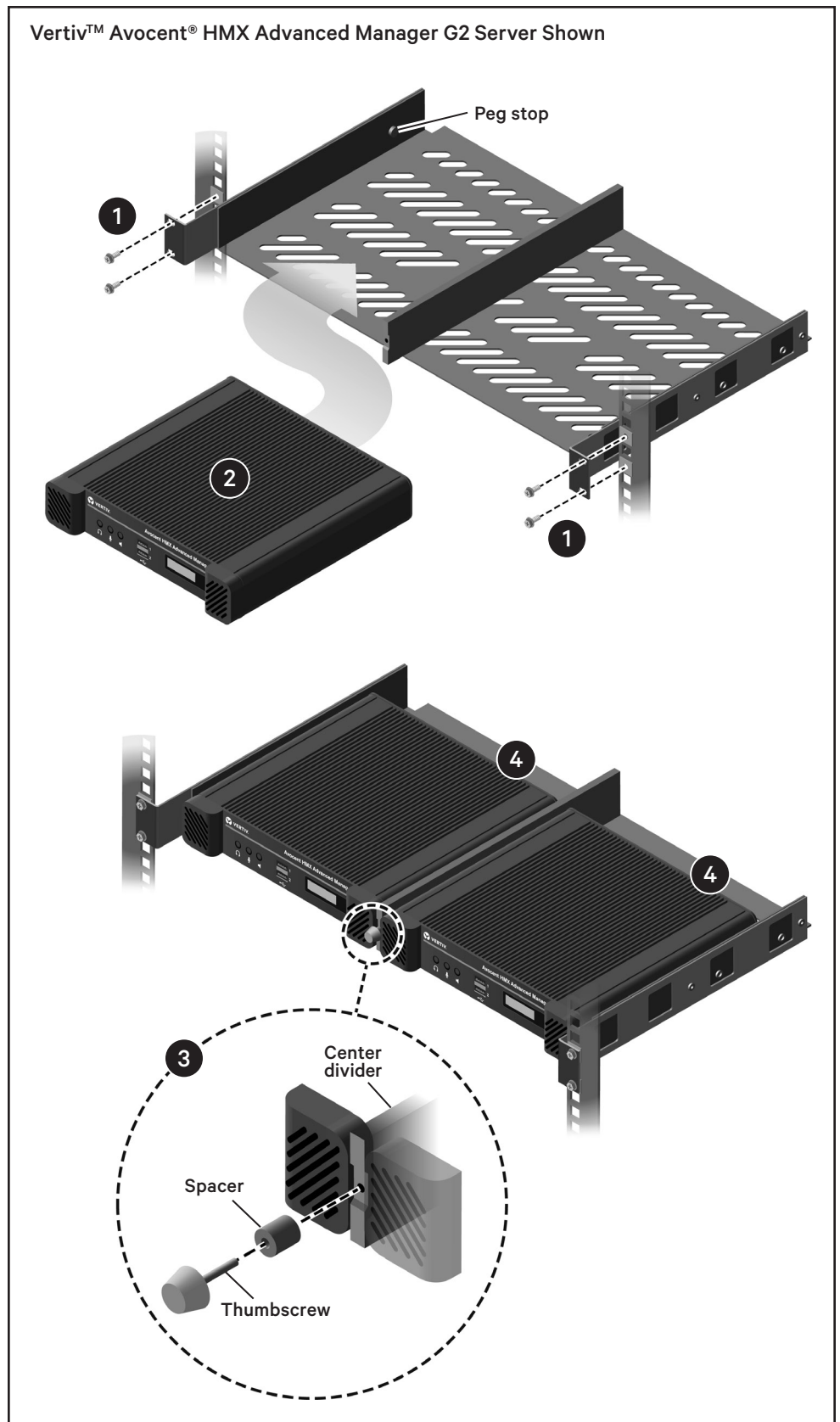
Insert the supplied thumbscrew through the supplied spacer and then insert through the small hole at the end of the center divider. Gently tighten the thumbscrew so the spacer engages with the inner edges of each Avocent HMX device and holds them in place.

4. Connecting power

Plug the socket of the power adapter into the power port on the rear of the switch. Plug the other end of the power adapter into an appropriate AC power supply.

5. Making other connections

Make all other connections to each Avocent HMX device in your extender system.



Blanking plate installation

1. Attaching the slotted flange

NOTE: Be sure the tray is supported at all times during the blanking plate installation.

Loosen, do not fully remove, the two bolts holding one of the tray's flanges to the rack upright. In the space between the loosened bolt heads and the tray flange, insert the blanking plate's slotted flange.

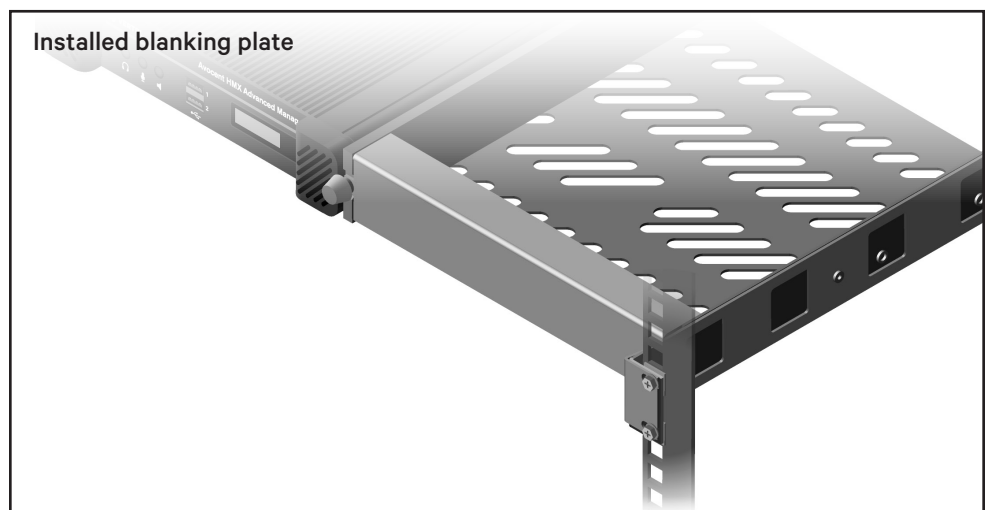
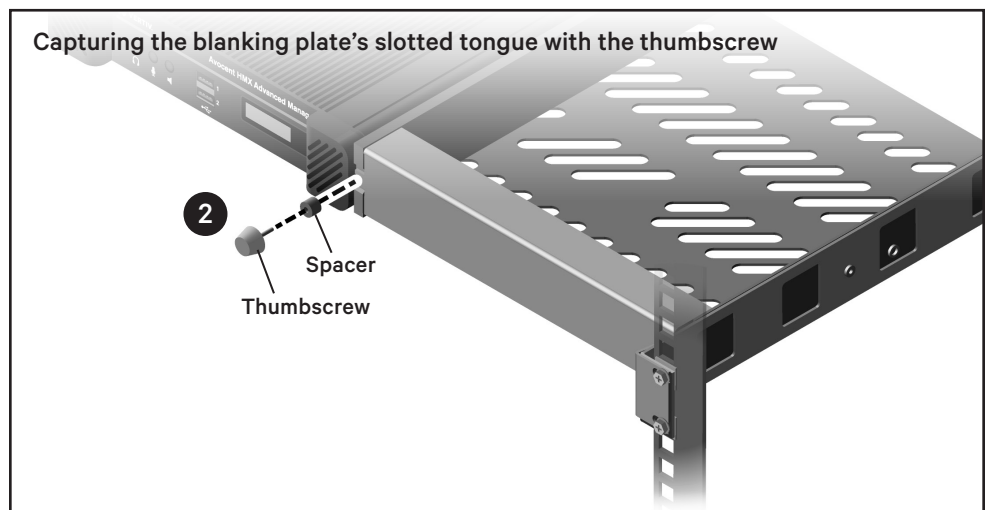
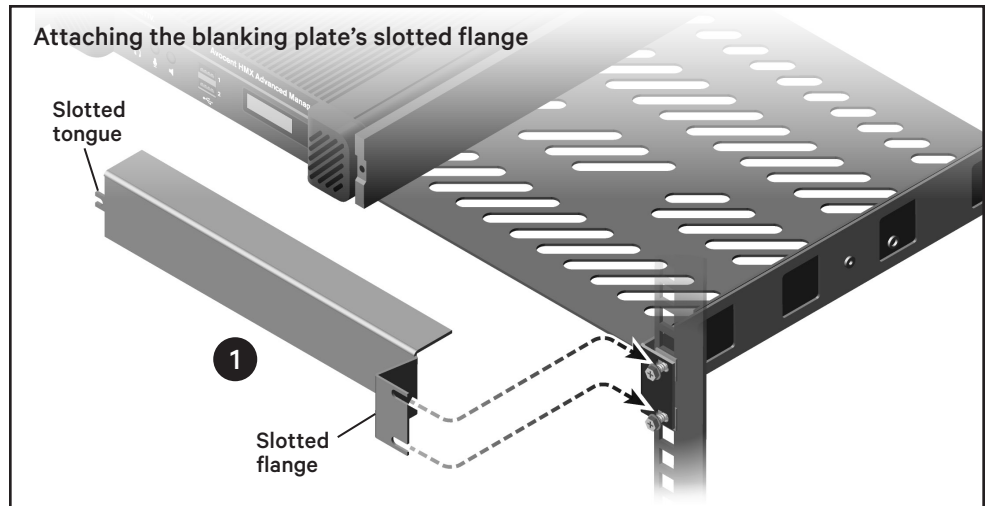
On the opposite end of the blanking plate, be sure the tongue slot is aligned with the hole in the end of the tray divider.

Re-tighten the tray flange screws.

2. Attaching the slotted tongue

Slip the supplied spacer onto the threaded shaft of the thumbscrew. Insert the thumbscrew/spacer through the blanking plate's tongue slot and into the small hole at the end of the tray divider.

Gently tighten the thumbscrew so the spacer engages with the inner edge of the Avocent HMX device, holding the device and the captured blanking plate's slotted tongue in place.



To contact Vertiv Technical Support: visit www.Vertiv.com

© 2024 Vertiv Group Corp. All rights reserved. Vertiv™ and the Vertiv logo are trademarks or registered trademarks of Vertiv Group Corp. All other names and logos referred to are trade names, trademarks or registered trademarks of their respective owners. While every precaution has been taken to ensure accuracy and completeness here, Vertiv Group Corp. assumes no responsibility, and disclaims all liability, for damages resulting from use of this information or for any errors or omissions.

