

Vertiv™ DCD VR Rack Adapter Kit



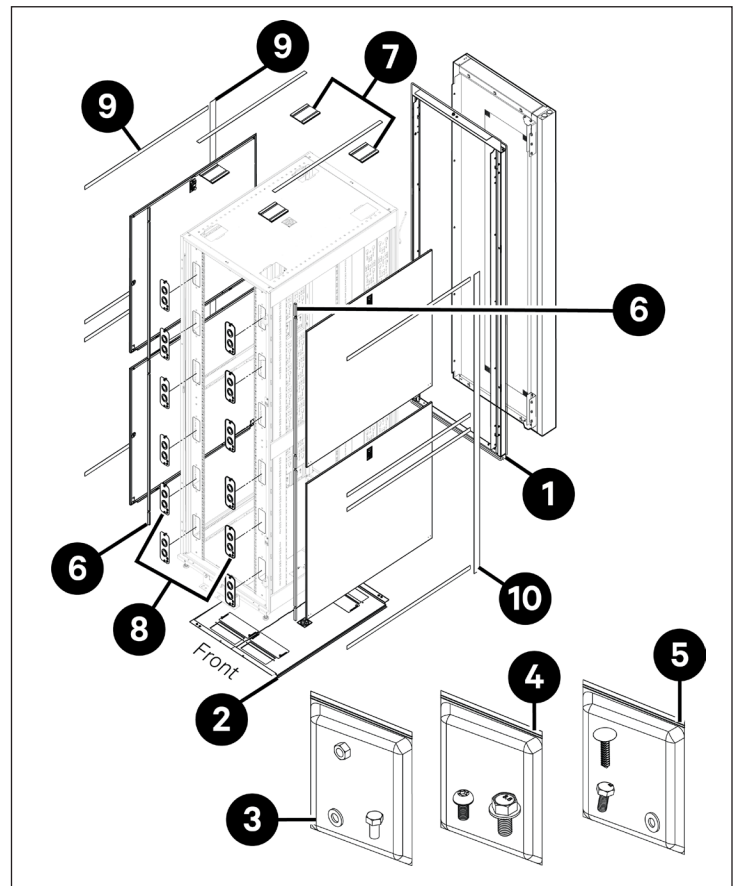
For Part Numbers: DCDVRAD261-KIT, DCDVRAD262-KIT, DCDVRAD281-KIT, DCDVRAD282-KIT, DCDVRAD861-KIT, DCDVRAD862-KIT, DCDVRAD881-KIT, and DCDVRAD882-KIT.

Quick Installation Guide

Components

Item	Description	Quantity
1	DCD VR Rack Adapter Frame	1
2	VR Networking Bottom Panel	1
3	Assembly Hardware (bag 1)	1
4	Mounting Hardware (bag 2)	1
5	Mounting Hardware (bag 3)	1
6	Air Recirculation Prevention Kit	1
7	Cable Pass Through Brush Kit Top Panel	1
8	EIA Rail Covers*	12
9	Magnetic Strip 1 inch	1
10	Magnetic Strip 2 inch	1

* The EIA rail covers only apply to the 800 mm VR racks



CAUTION: Two persons handling is required.

Usage Scenarios:

Please refer to the table below to identify kits compatibility with the DCD and VR Rack models.

VR Rack	Height	Width(mm)	Depth (mm)	DCD	Adapter Kit
VR3100	42U	600	1100	DCD35A6	DCDVRAD261-KIT
VR3300			1200	DCD47A6	DCDVRAD262-KIT
VR3150		800	1100	DCD35A8	DCDVRAD281-KIT
VR3350			1200	DCD47A8 DCD50A8	DCDVRAD282-KIT
VR3107	48U	600	1100	DCD35C6	DCDVRAD861-KIT
VR3307			1200	DCD47C6	DCDVRAD862-KIT
VR3157		800	1100	DCD35C8	DCDVRAD881-KIT
VR3357			1200	DCD47C8 DCD50C8	DCDVRAD882-KIT

Part Number	Description	Notes
VR2004	Sealing Kit-Air Recirculation Prevention	Must be ordered with each adapter kit

NOTE: Depending on the desired configuration, the water connection could be on the top or bottom, left or right.

Vertiv™ DCD VR Rack Adapter Kit

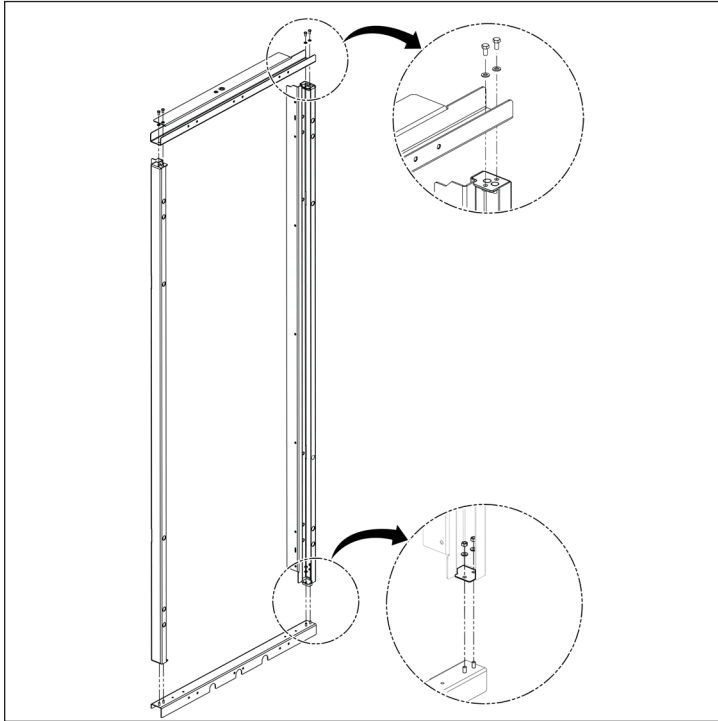


For Part Numbers: DCDVRAD261-KIT, DCDVRAD262-KIT, DCDVRAD281-KIT, DCDVRAD282-KIT, DCDVRAD861-KIT, DCDVRAD862-KIT, DCDVRAD881-KIT, and DCDVRAD882-KIT.

Quick Installation Guide

DCD VR Rack Adapter Kit Assembly and Installation

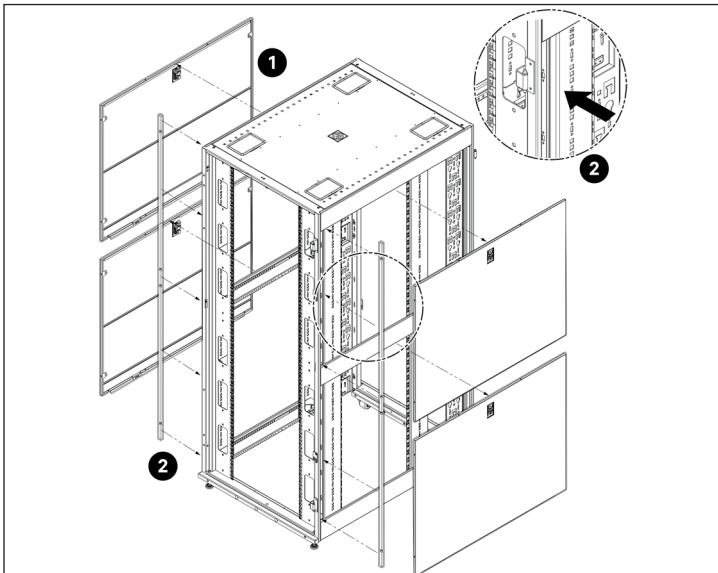
1. With hardware of from bag 1, assemble the Vertiv™ DCD adapter by tightening the M5-0.8X10 mm screws to the top and the M5-0.8 nuts to the bottom using the M5 washers.



2. Remove the Side Panels (1) to install the Air Recirculation Prevention Kit (2).

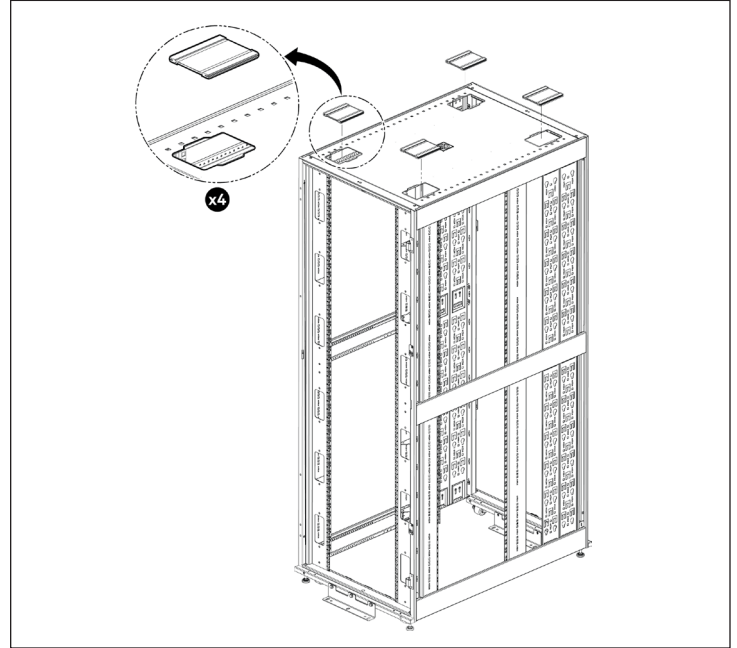
NOTE: Refer to the related VRA2004 Instructions.

NOTE: Refer to SL-11425 VR Rack User Manual to remove panels.



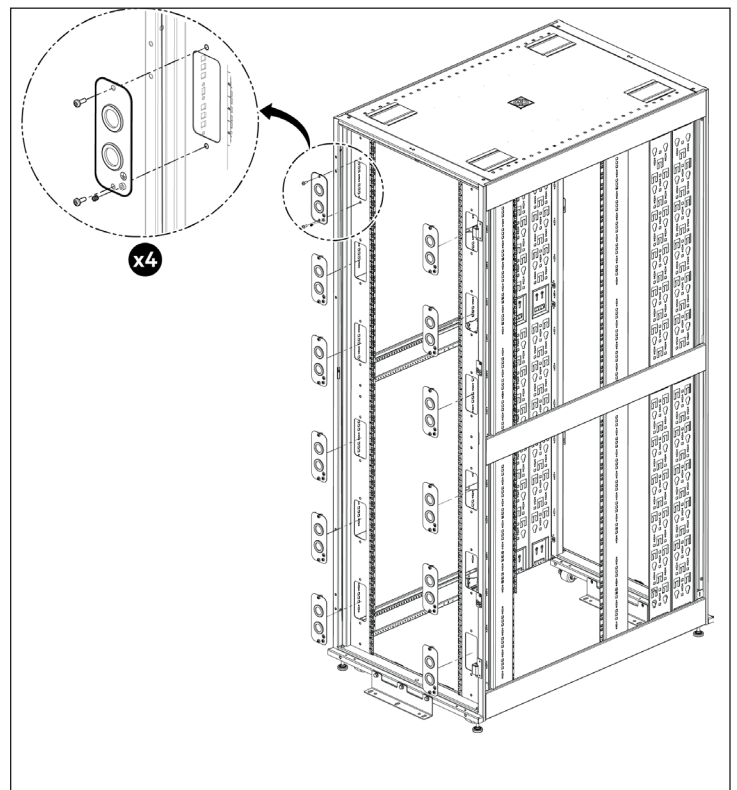
3. Remove the Roof Panel plastic covers on the rack, then install the Cable Pass Through Brushes.

NOTE: Refer to the related VRA2006 instructions.



4. Install the EIA rail covers as shown below, by tighten the M6 screws and M6 nuts.

NOTE: Fasten the grounding screw until you feel resistance.



Vertiv™ DCD VR Rack Adapter Kit

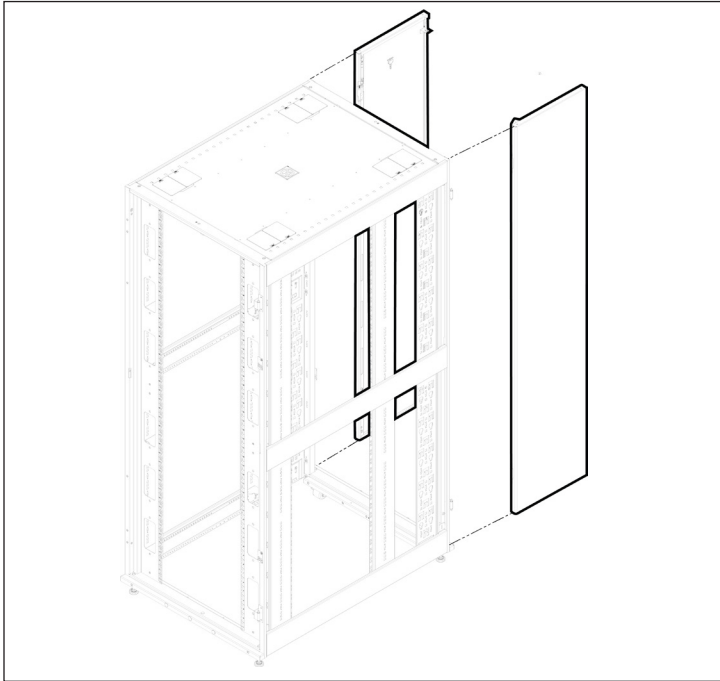


For Part Numbers: DCDVRAD261-KIT, DCDVRAD262-KIT, DCDVRAD281-KIT, DCDVRAD282-KIT, DCDVRAD861-KIT, DCDVRAD862-KIT, DCDVRAD881-KIT, and DCDVRAD882-KIT.

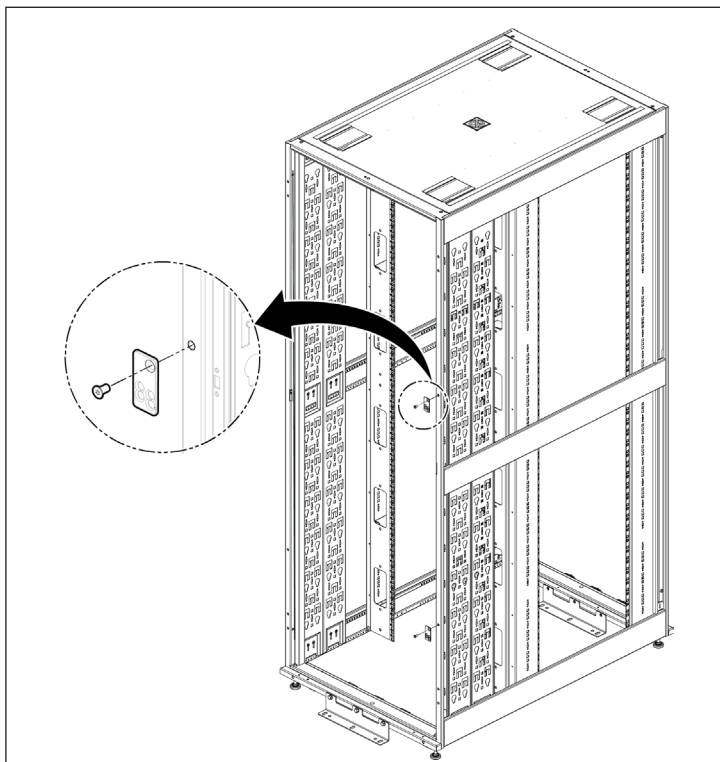
Quick Installation Guide

5. Before attaching the frame, remove the rear doors from the rack by opening them at a 90° angle to the rack, then they can be lifted off without tools.

NOTE: Unscrew and detach ground cable.

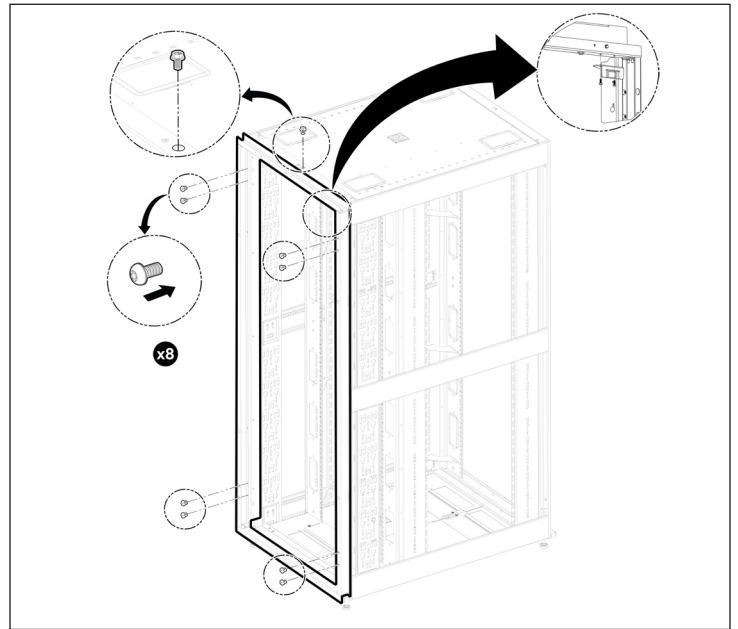


6. Remove baying brackets. If needed, install them back after step 7.

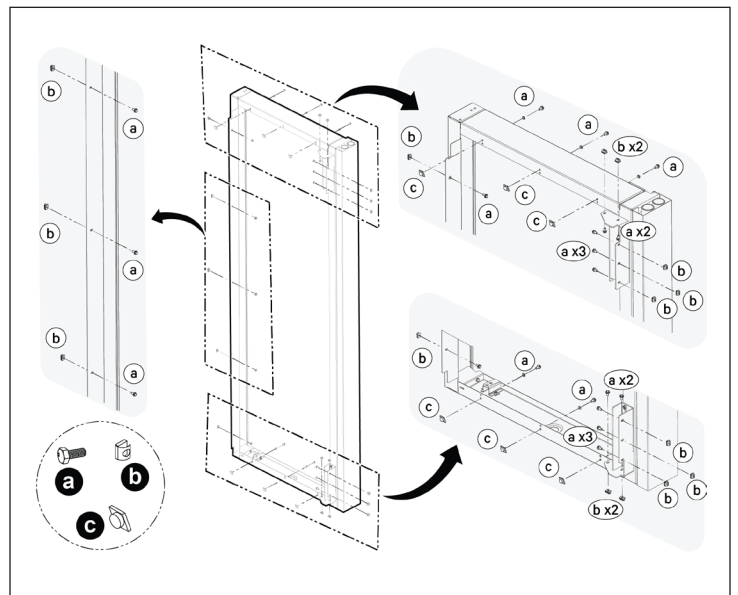


7. With hardware of bag 2, mount the Vertiv™ DCD Adapter frame onto the VR Rack. Insert the 8 Torx mounting screws PH M6-1X12 mm ZP, using a T30 driver and torque to 10.5 N-m (7.74 ft-lb), then insert and torque the Hex head serrated screw M8X14 (ground screw) to 25.46 N-m (18.78 ft-lb) both.

By the version with active module: Fix the bracket of door sensor to frame (2x hex head screw M4x10, torque of 2.5 N-m / 1.84 ft-lb). The bracket is on the opposite side of the door hinges.



8. Discard unnecessary hardware from the DCD frame. All spring nuts (b), 22xM5x10 screws (a), all washers and 6 diamond nuts (c).



Vertiv™ DCD VR Rack Adapter Kit



For Part Numbers: DCDVRAD261-KIT, DCDVRAD262-KIT, DCDVRAD281-KIT, DCDVRAD282-KIT, DCDVRAD861-KIT, DCDVRAD862-KIT, DCDVRAD881-KIT, and DCDVRAD882-KIT.

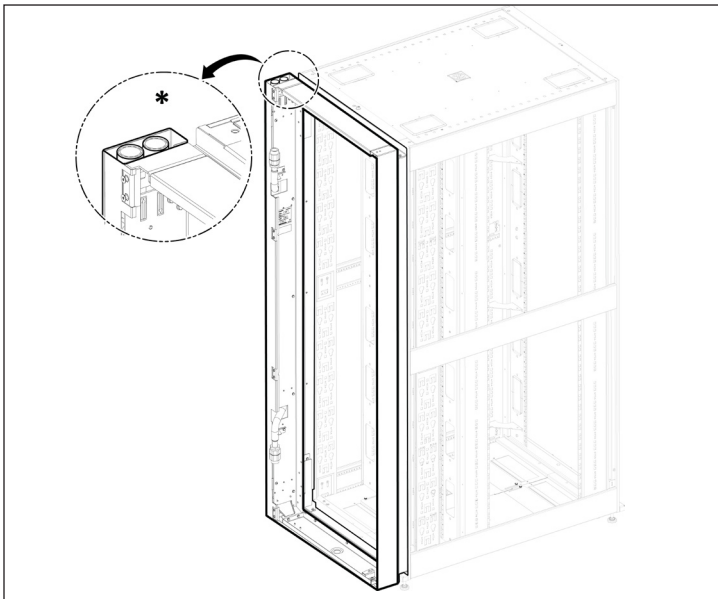
Quick Installation Guide

9. Align the Vertiv™ DCD frame with the rear of the rack with the adapter already installed.

- **Bottom chilled water connections:** Ensure that the connections are pointing down.
- **Top chilled water connections:** Ensure that the connections are pointing up.

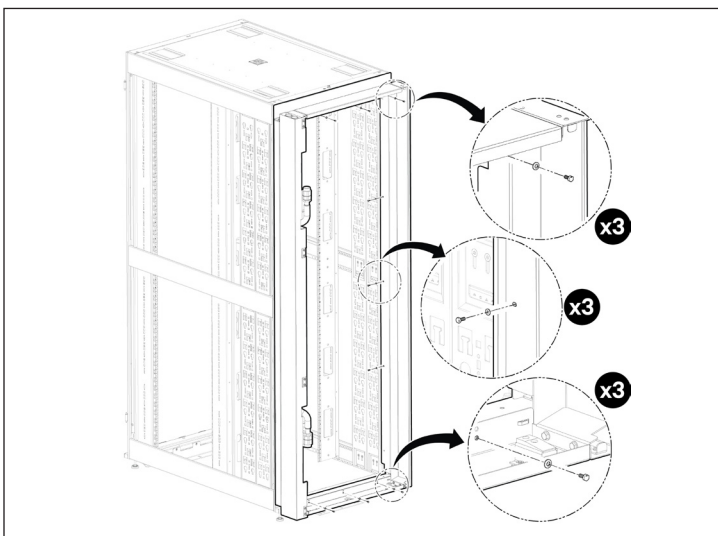
NOTE: *Depending on the configuration, the connections could be on the top or bottom, left or right side.

CAUTION: Two persons handling is required.

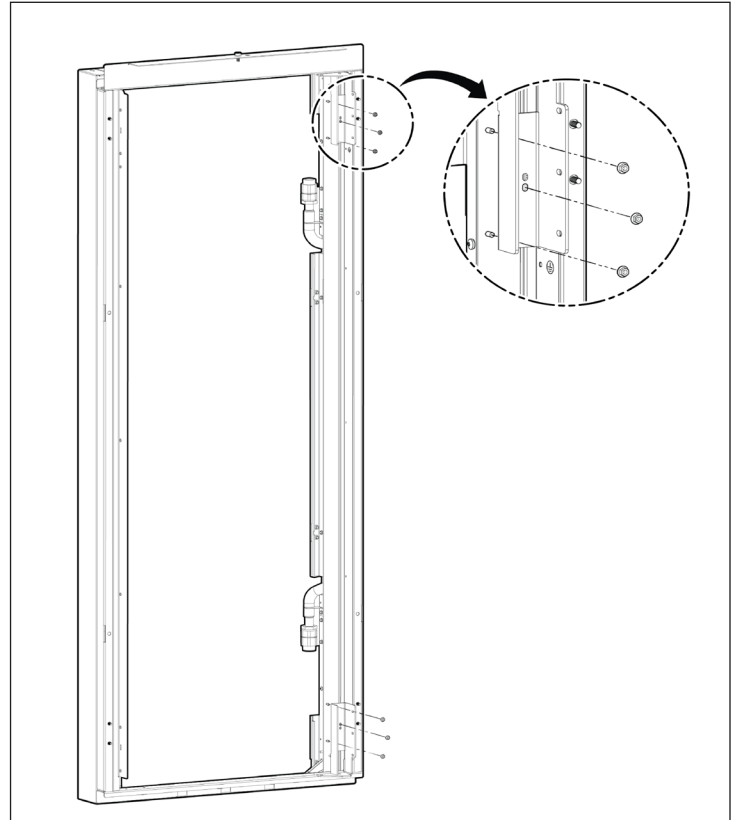


10. With hardware of bag 3, screw (without tightening) the M4 screws with washers starting from the side (3), following on the bottom (3) and then on the top (3). Once, all screws are placed, full tight them to prevent the frame from twisting.

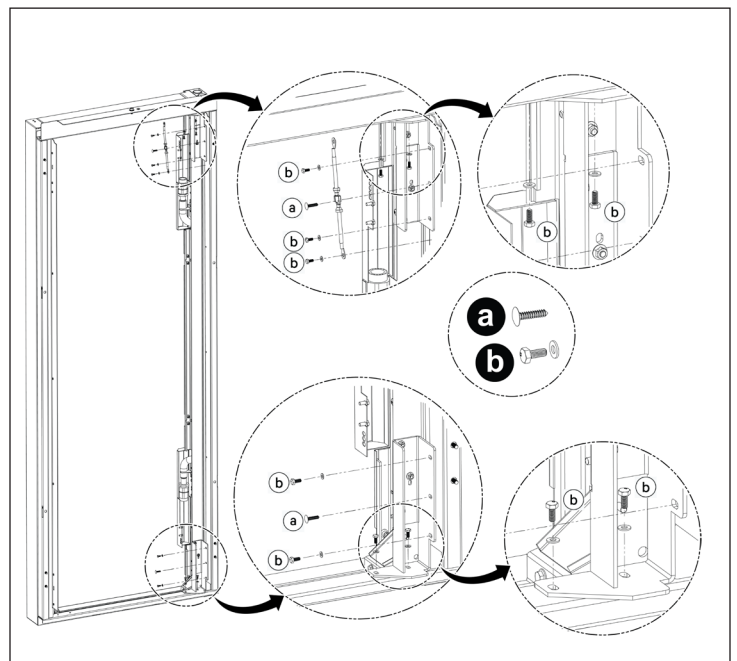
CAUTION: Two persons handling is required.



11. From DCD box, use the M5 nuts to screw both corner brackets as it shows in the image.



12. Insert and tighten the 2 DCD corner brackets from the DCD box with the hardware included in the DCD. And from hardware of bag 3, insert and tight the M4 screws with washers and ribbed shank rivet as shown below.



Vertiv™ DCD VR Rack Adapter Kit



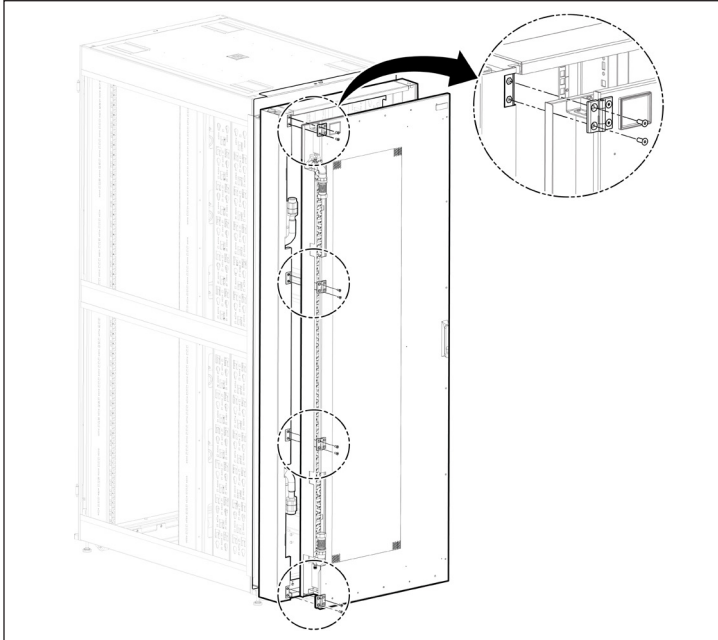
For Part Numbers: DCDVRAD261-KIT, DCDVRAD262-KIT, DCDVRAD281-KIT, DCDVRAD282-KIT, DCDVRAD861-KIT, DCDVRAD862-KIT, DCDVRAD881-KIT, and DCDVRAD882-KIT.

Quick Installation Guide

13. Install the Vertiv™ DCD door onto the DCD frame and screw the hinges.

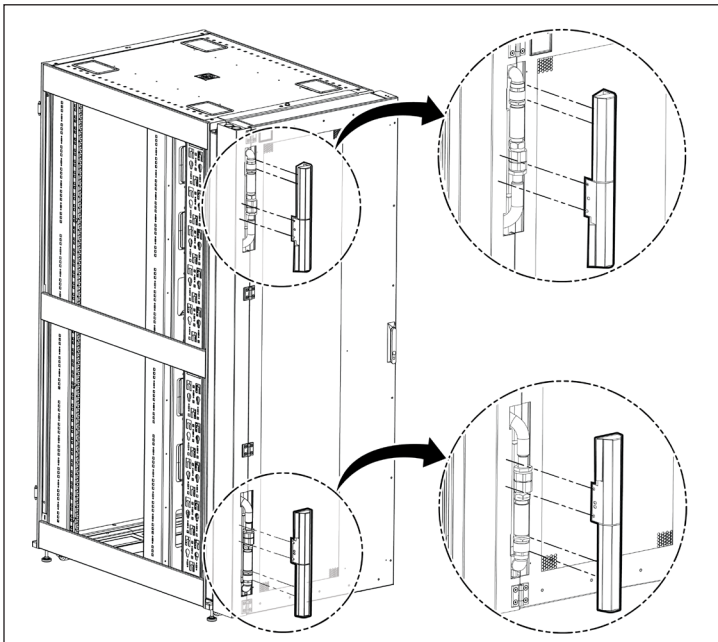
NOTE: Refer to the NOTE on Section 6.1 - DCD frame preparation of the SL-17307 Vertiv™ Liebert® DCD™ Installer/User Guide and to Section 6.3 Installing the DCD Door for the detailed steps.

CAUTION: Two persons handling is required.

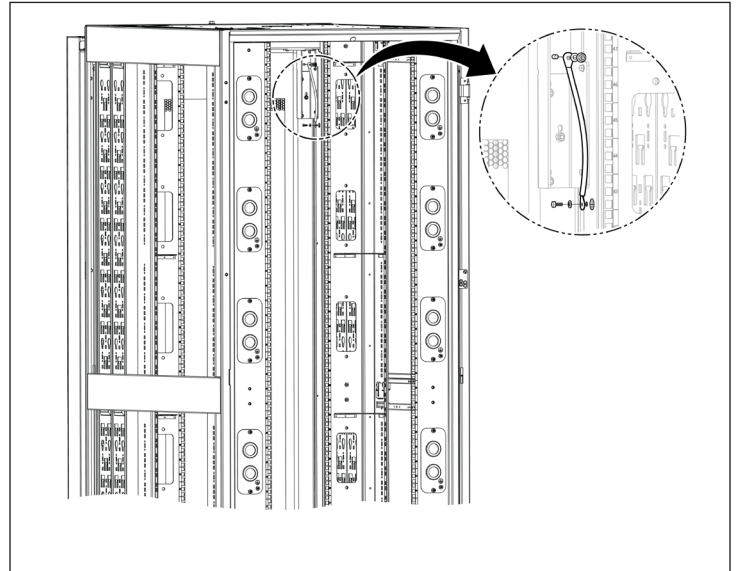


14. Install the DCD swivel-joint covers.

NOTE: Refer to the section 6.4 Installing the DCD Swivel-joint Covers on the SL-17307 Liebert® DCD™ Installer/User Guide for the complete instructions.

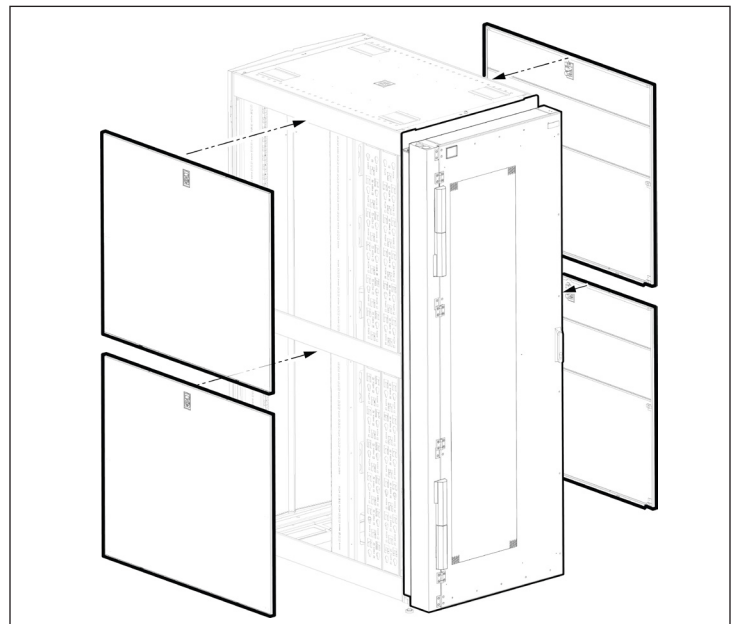


15. Use the existing ground cable on the DCD frame to connect to the DCD Adapter frame using an M4 screw and a washer from bag 3. Screw it into the hole where the ground symbol is located and torque to 3 N-m (2.25 ft-lb).



16. Install Side Panels as shown below.

NOTE: Refer to SL-11425 VR Rack User Manual, section 4.3.



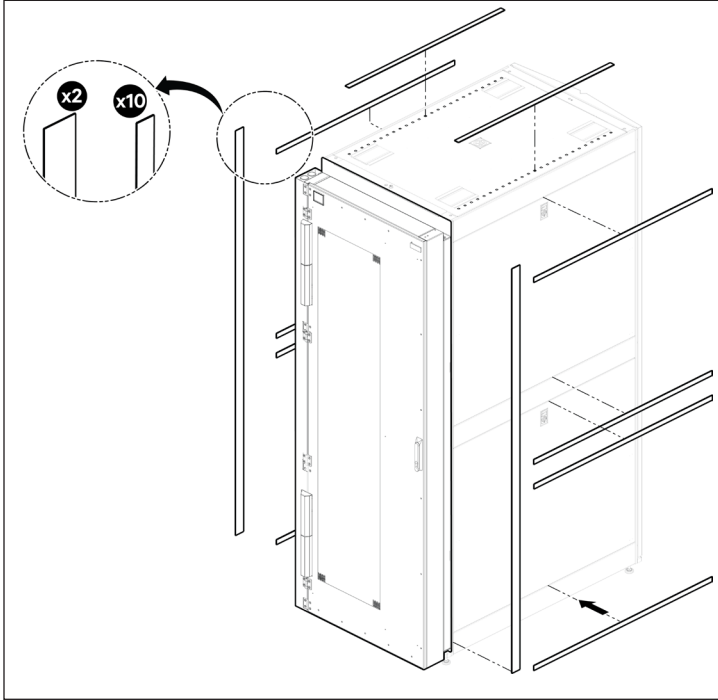
Vertiv™ DCD VR Rack Adapter Kit



For Part Numbers: DCDVRAD261-KIT, DCDVRAD262-KIT, DCDVRAD281-KIT, DCDVRAD282-KIT, DCDVRAD861-KIT, DCDVRAD862-KIT, DCDVRAD881-KIT, and DCDVRAD882-KIT.

Quick Installation Guide

17. Use the magnetic tapes included in the kit to cover the top and side panel gaps as shown in the image and tables, according to your model.



* Cut the tape pieces according to this guidance table:

A) 2 inch wide magnetic tape

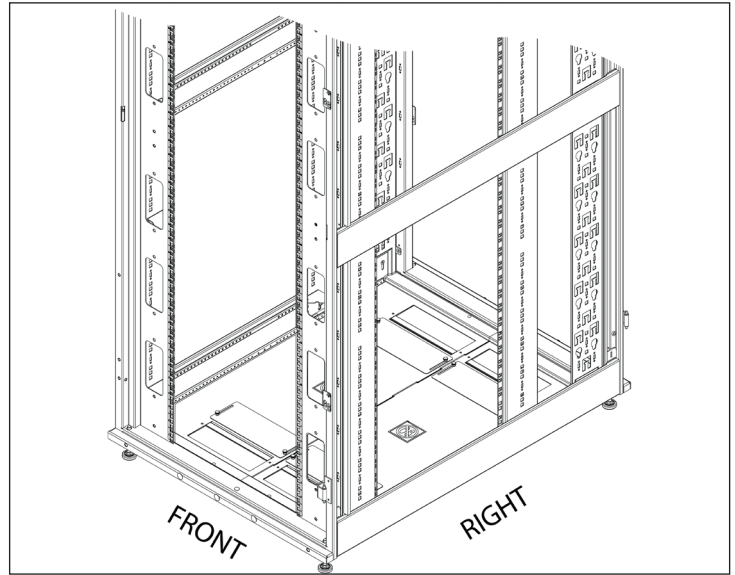
Rack Height (inch)	Quantity	Length m (ft)	Location
42	2	1.86 (6.10)	Rack - Adapter
48	2	2.06 (6.75)	Rack - Adapter

B) 1 inch wide magnetic tape

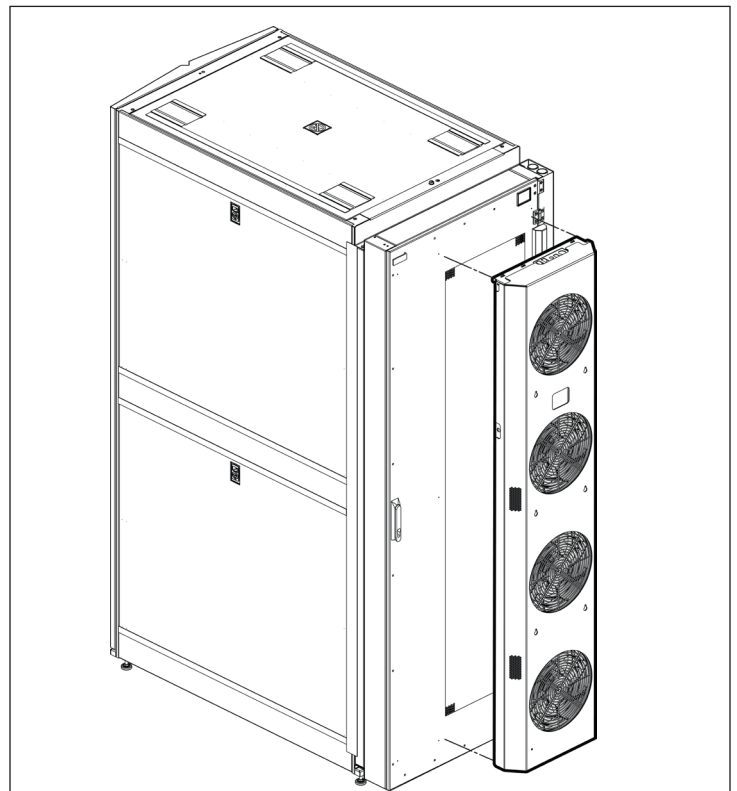
Rack Depth (inch)	Quantity	Length m (ft)	Location
1100	8	1 (3.28)	Side Panels
1100	2	0.90 (2.95)	Roof Panels
1200	8	1.11 (3.64)	Side Panels
1200	2	0.97 (3.18)	Roof Panels

18. Install the VR Networking Rack Bottom Panel.

NOTE: Refer to the SL-70786 VR Networking Bottom Panel Quick Installation Guide for related instructions.



19. Install active unit to the Vertiv™ DCD door.



To contact Vertiv Technical Support: visit www.Vertiv.com

© 2025 Vertiv Group Corp. All rights reserved. Vertiv™ and the Vertiv logo are trademarks or registered trademarks of Vertiv Group Corp. All other names and logos referred to are trade names, trademarks or registered trademarks of their respective owners. While every precaution has been taken to ensure accuracy and completeness here, Vertiv Group Corp. assumes no responsibility, and disclaims all liability, for damages resulting from use of this information or for any errors or omissions.

