

Avocent® LongView™ 5020

High Performance KVM Extender System



Quick Installation Guide

The Avocent LongView 5020 high performance KVM extender system provides the fastest way to extend high quality video, audio, USB and serial data across your network.

Supported Hardware

Avocent LongView 5020 extenders support most standard speakers/headsets, microphones, USB keyboards, USB mice and an additional video channel.

Installation

This section provides steps and figures for system installation. The figures display cable connections that are numbered to indicate to which step they belong. After completing the following installation steps, please refer to your Vertiv Avocent LongView 5020 Extender System Installer/User Guide for additional information, including video and audio configuration details.

NOTE: Ensure your computer is turned off before completing the following.

1. Connecting transmitter video

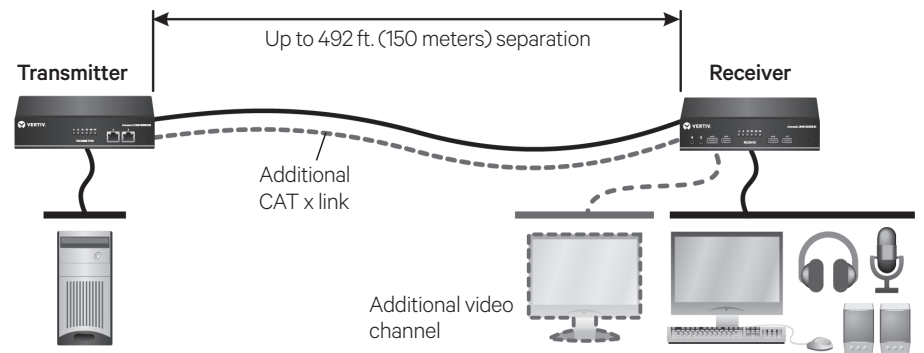
Connect a display port cable from the primary video port on the computer to DP port 1 on the rear of the transmitter. Connect a second display port cable from the secondary video port on the computer to DP port 2 on the rear of the transmitter.

2. Connecting other transmitter peripherals

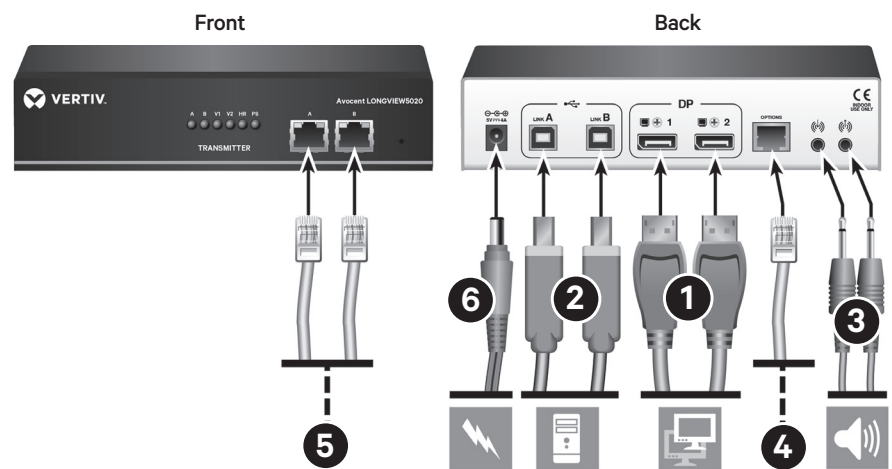
Using a USB cable no longer than three meters, plug the USB connector from the cable into the USB port labeled Link A on the rear of the transmitter. Connect the other end to a USB port on the host computer.

NOTE: Link A provides low/full speed USB to the three USB ports (all labeled A) located on the front panel of the receiver. The optional Link B provides Hi-Speed USB to the single USB port (labeled USB

Avocent LongView Extender System Overview



Avocent LongView Transmitter Configuration



2.0) located on the front panel of the receiver.

Low/full speed USB devices can also be used on the Link B port; the transfer speed will be automatically reduced. The Link A ports support USB keyboards and mice only.

If desired, attach an additional USB cable to a vacant USB (v2.0) port on the host computer and insert the other end into the USB port labeled Link B on the rear of the transmitter.

3. Connecting audio to the transmitter

The Avocent LongView 5020 extender system supports both analog and digital audio. The Line In port on the transmitter and the Line Out port on the receiver can accept either 3.5 mm analog jacks or mini-TOSLINK optical fiber connectors.

ANALOG AUDIO

Use a 3.5 mm audio jack cable to connect the Line In port on the

transmitter to the analog Line Out or speaker port of the host computer.

If a microphone or other audio input is required, use another 3.5 mm audio jack cable to connect the Line Out port on the transmitter to the analog Line In port of the host computer.

DIGITAL AUDIO

Use either a mini-TOSLINK fiber optic cable (or a full size TOSLINK fiber optic cable with a mini-TOSLINK adaptor) to connect the Line In port on the transmitter to the digital Line Out port of the host computer.

NOTE: The digital input is fed across the main CATx link to the optical connection of the Line Out port on the receiver only. There is no crossover between the analog and digital audio subsystems of the Avocent LongView 5020 extender system installation.

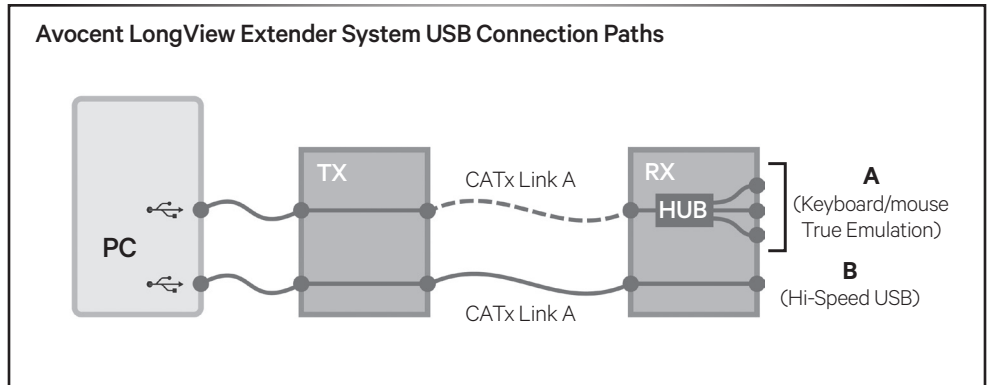
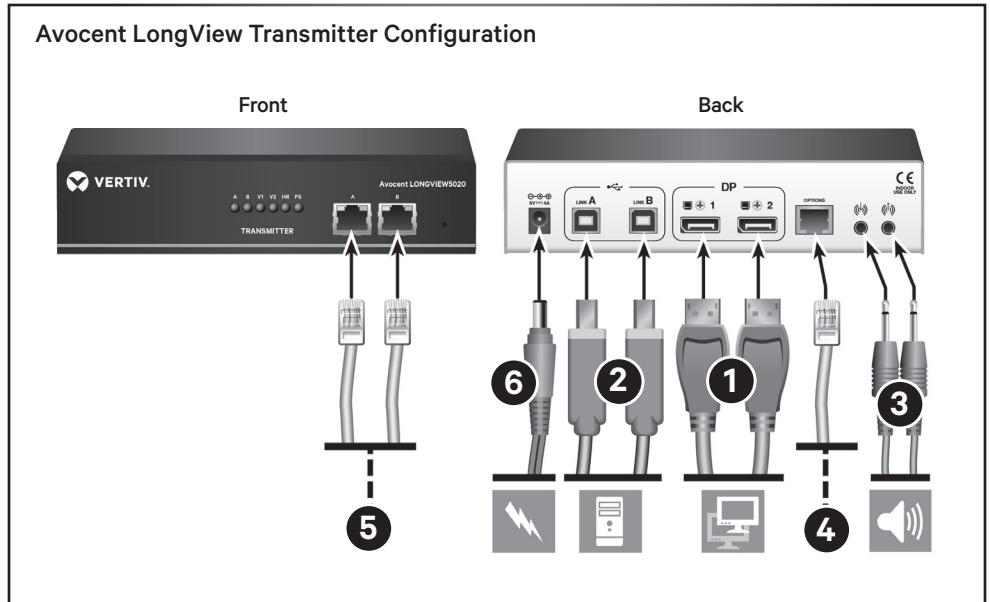
4. Connecting to the serial port on the transmitter

Use a serial cable to connect the Options port on the rear panel of the transmitter with a vacant RS232 serial port on the host computer.

5. Connecting the transmitter to the receiver

CAUTION: The signals sent through the link cables are not compatible with standard networking equipment and could cause damage if connected. Do not connect the transmitter and receiver to any other networking devices.

On the front of both the transmitter and the receiver, locate the two CATx cable ports labeled A and B. Insert a CATx cable into the A port on the front of the transmitter and the opposite end into the A port of the receiver.



If Hi-Speed USB is required, connect an optional CATx cable from port B of the transmitter to port B on the front panel of the receiver.

NOTE: The transmitter and receiver are linked by either one or two CATx cables at a distance of up to 150 meters (492 feet). The type and quality of the CATx cables used are crucial to the mode of operation. CAT 7 cables are recommended.

6. Connecting transmitter power

NOTE: There is no on/off switch on the extender. Operation begins as soon as a power adaptor is connected.

Assemble the power adaptor and the power cord. Insert one end of the power cord into the transmitter and plug the other end into an appropriate power source.

CAUTION: Both the unit and its power supply generate heat when in operation. Do not operate the equipment in ambient temperatures exceeding 104º F (40º C). Do not place the products in contact with equipment whose surface temperature exceeds 104º F (40º C).

7. Connecting receiver video

Connect a display port cable from the primary video display to DP++ port 1 on the rear of the receiver.

If an adaptor is being used to convert signals, connect it to the DP++ port 1 and connect the cable from the video display to the output of the adaptor. If an externally powered adaptor is required, connect it to one of the USB ports. Then, connect a second display port cable from the secondary video display to DP++ port 2 on the rear of the receiver.

NOTE: For additional video display options and information, please see your user guide.

8. Connecting the keyboard and mouse

Connect the cable from your USB keyboard and mouse into one of the vacant USB ports labeled A on the front panel of the receiver.

For Hi-Speed USB peripherals, such as mass storage devices, use the port labeled USB 2.0 on the front of the receiver.

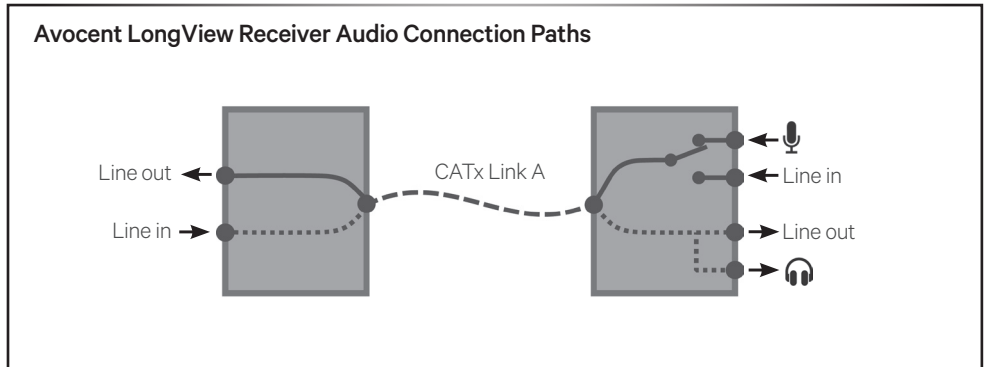
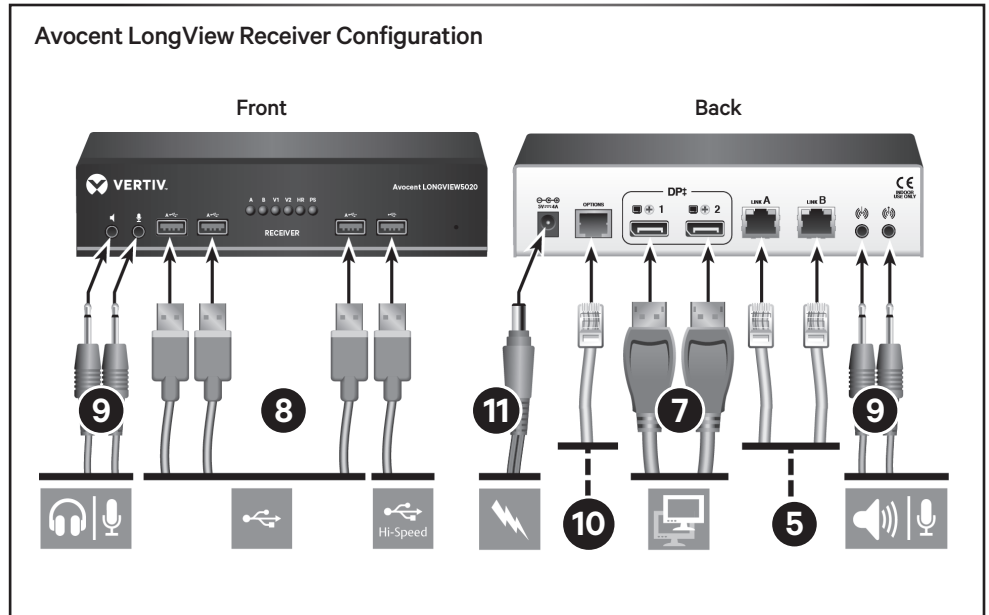
NOTE: The port labeled USB 2.0 will only deliver hi-speed USB if:

- One of the USB ports on the host computer is connected to the Link B on the transmitter and supports USB v2.0, and
- The second CATx link (B) is in place.

9. Connecting audio to the receiver

The digital and analog channels run independently alongside each other via the CATx link. The receiver also has dedicated headphone and microphone jacks on the front panel.

In the receiver, the analog portion of the Line Out port on the rear panel and the headphone port on the front panel are joined and both provide the same output (but have different electrical properties). For the Microphone port on the front panel and the Line In port on the rear, you can choose between the two inputs using a hotkey switch (see headphones and/or a



microphone in the following section).

In the implementation of the optional digital audio system, the Line In port on the transmitter and the Line Out port on the receiver can accept either 3.5 mm analog jacks or mini-TOSLINK optical fiber connectors. The fiber connectors provide access to the optical S/PDIF capabilities supported by the extender system, which transmits PCM audio at 96KHz.

HEADPHONES AND/OR A MICROPHONE

Connect the 3.5 mm jack from your headphones to the port on the front panel of the receiver unit.

If a microphone is required, connect the 3.5 mm jack from your microphone to the port on the front panel of the receiver unit.

ANALOG LINE OUT/LINE IN/ SPEAKERS

Connect the 3.5 mm jack from your powered speakers or the Line In port of your audio device to the Line Out port on the rear panel of the receiver unit.

Connect the 3.5 mm jack from the Line Out port of your audio device to the Line In port on the rear panel of the receiver unit.

DIGITAL

Use either a mini-TOSLINK fiber optic cable (or a full size TOSLINK fiber optic cable with a

mini-TOSLINK adaptor) to connect the Line Out (🔊) port on the receiver to the digital Line In port of the digital audio device.

10. Connecting to the serial port on the receiver

Use a serial cable to link the Options port on the rear panel of the receiver with a serial device.

NOTE: The Options port on the rear of the receiver operates as a serial connection that can:

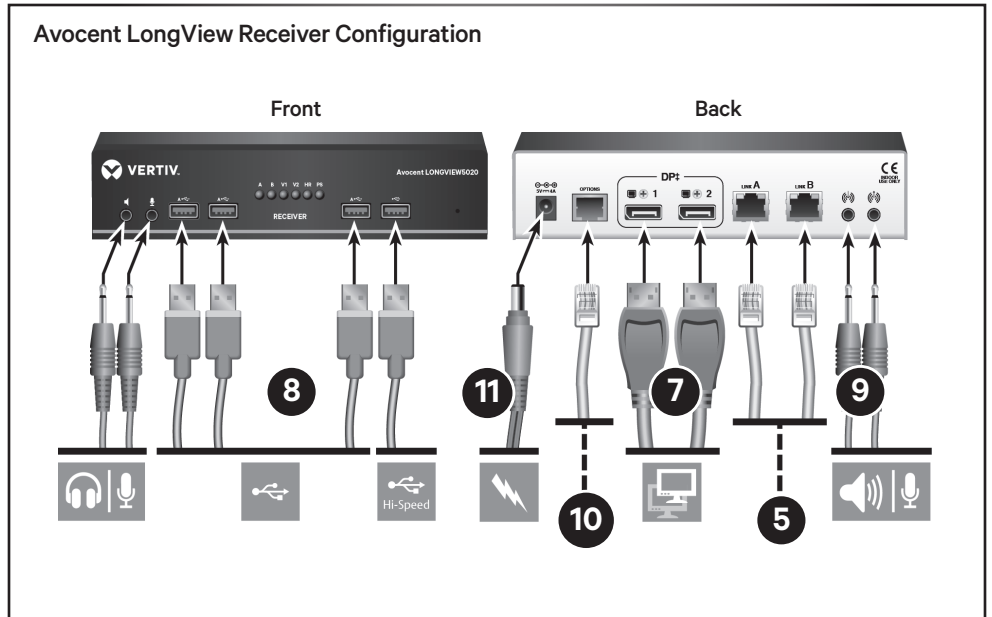
- Be used to update the firmware of the unit
- Provide an RS232 serial connection that is passed between the transmitter and the receiver.

11. Connecting receiver power

NOTE: There is no on/off switch on the unit. Operation begins as soon as a power adaptor is connected.

Assemble the power adaptor and the power cord. Insert one end of the power cord into the transmitter and plug the other end into an appropriate power source.

CAUTION: Both the unit and its power supply generate heat when in operation. Do not operate the equipment in ambient temperatures exceeding 104° F (40° C). Do not place the products in contact with equipment whose surface temperature exceeds 104° F (40° C).



To contact Vertiv Technical Support: visit www.Vertiv.com

© 2024 Vertiv Group Corp. All rights reserved. Vertiv™ and the Vertiv logo are trademarks or registered trademarks of Vertiv Group Corp. All other names and logos referred to are trade names, trademarks or registered trademarks of their respective owners. While every precaution has been taken to ensure accuracy and completeness here, Vertiv Group Corp. assumes no responsibility, and disclaims all liability, for damages resulting from use of this information or for any errors or omissions.

