



SmartCabinet™ ID

Submittals Addendum

The information contained in this document is subject to change without notice and may not be suitable for all applications. While every precaution has been taken to ensure the accuracy and completeness of this document, Vertiv assumes no responsibility and disclaims all liability for damages resulting from use of this information or for any errors or omissions. Refer to other local practices or building codes as applicable for the correct methods, tools, and materials to be used in performing procedures not specifically described in this document.

The products covered by this instruction manual are manufactured and/or sold by Vertiv. This document is the property of Vertiv and contains confidential and proprietary information owned by Vertiv. Any copying, use or disclosure of it without the written permission of Vertiv is strictly prohibited.

Names of companies and products are trademarks or registered trademarks of the respective companies. Any questions regarding usage of trademark names should be directed to the original manufacturer.

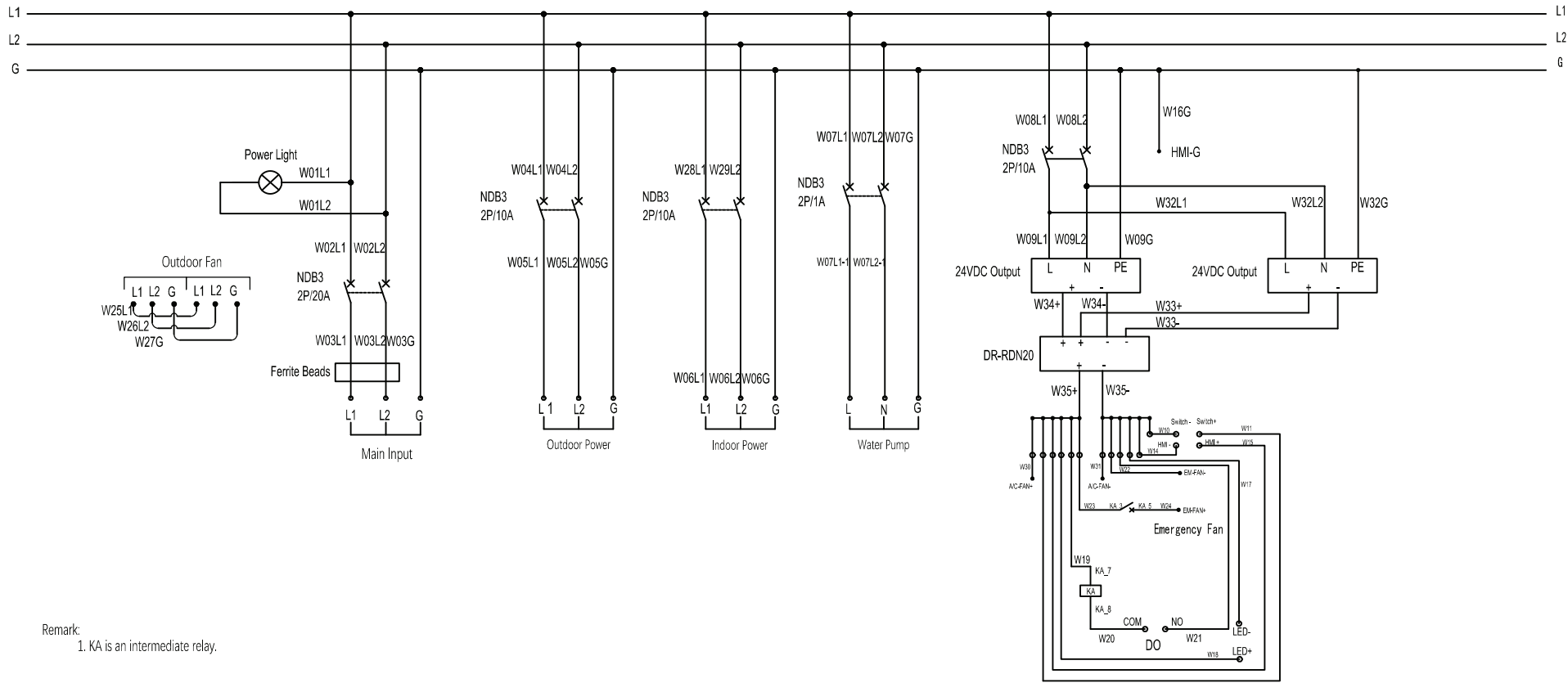
Technical Support Site

If you encounter any installation or operational issues with your product, check the pertinent section of this manual to see if the issue can be resolved by following outlined procedures.

Visit <https://www.vertiv.com/en-us/support/> for additional assistance.

Table of Contents

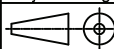
PMB Diagram (VSA9001)	2
PMB Diagram (VSA9002)	3
PMB Diagram (VSA9003)	4
PMB Diagram (VSA9004)	5
System Diagram(VS3350 and VS3354)	6
System Diagram(VS3350I and VS3354I).....	7
System Diagram(VS3750).....	8
System Diagram(VS3750I).....	9



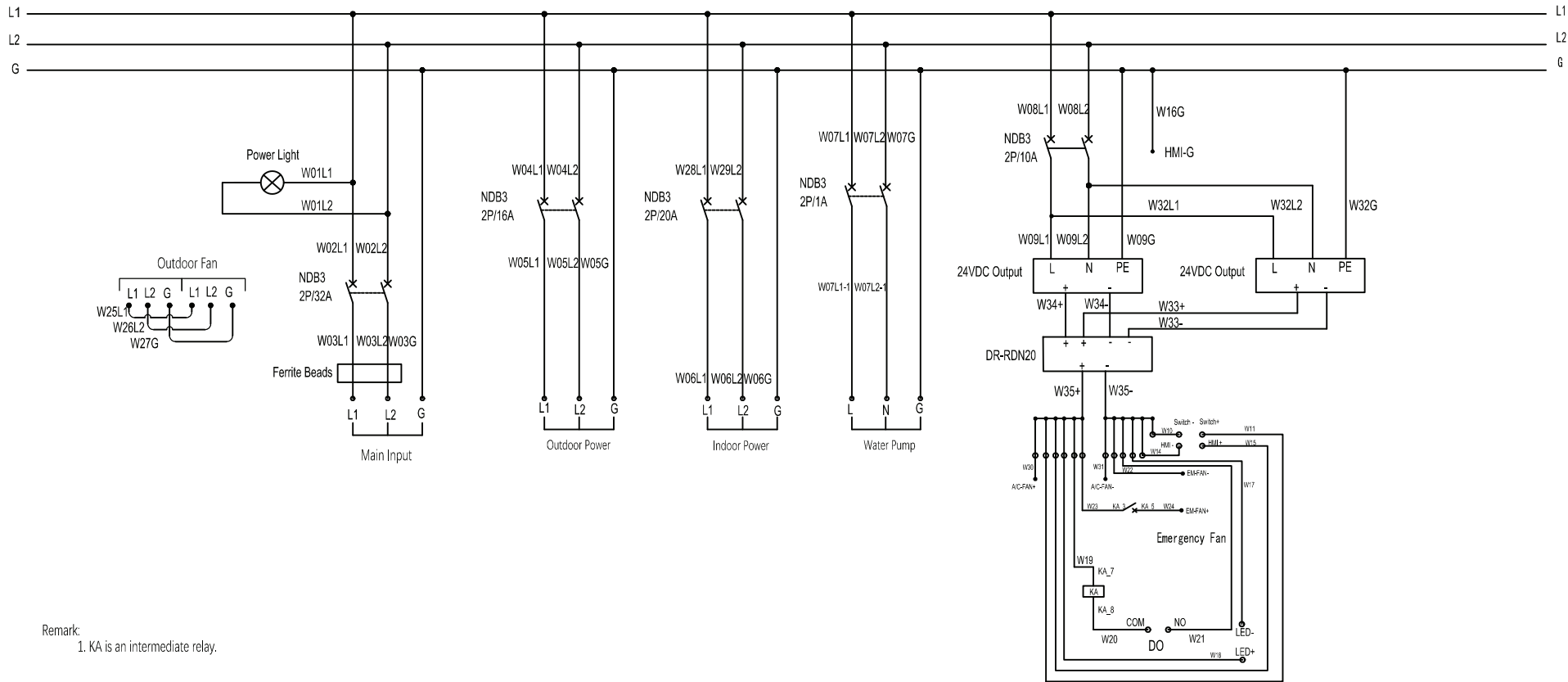
Remark:
1. KA is an intermediate relay.

Skills requirement:

1. The position of the printed content is accurate, clear and free of burrs, and the label printing ink must meet the solvent resistance test requirements;
2. The film is made according to the ink draft, the dimensions are marked as shown in the figure, the unmarked chamfer is R3, and the unmarked tolerance is +/-0.2mm;
3. The Chinese font is in bold, English and numbers are in ARIAL, the character height is 2.0mm, and the font aspect ratio is 0.7;
4. The thin line width is 0.2mm;
5. The font color of the label content is black PANTONE BLACK C, and the background color of the label is the original color of the material;

A02		E612202006	20220212	NAM-3.5-PMB Schematic	02330057-DL	
A01			20211029			
A00	New archive		20210831			
Version	Change content	ECO NO.	Date			
DESIGNED	Jason			Projection logo	Code	
REVIEWED	Derek				02330057	
PROCESSED	George					
		Version	Quality	Proportion	Number	Total
STANDARDIZED	Rajah			/	Product	SmartCabinet™ ID
APPROVED	Derek					

Electronic file name:02330057-DL



Remark:
1. KA is an intermediate relay.

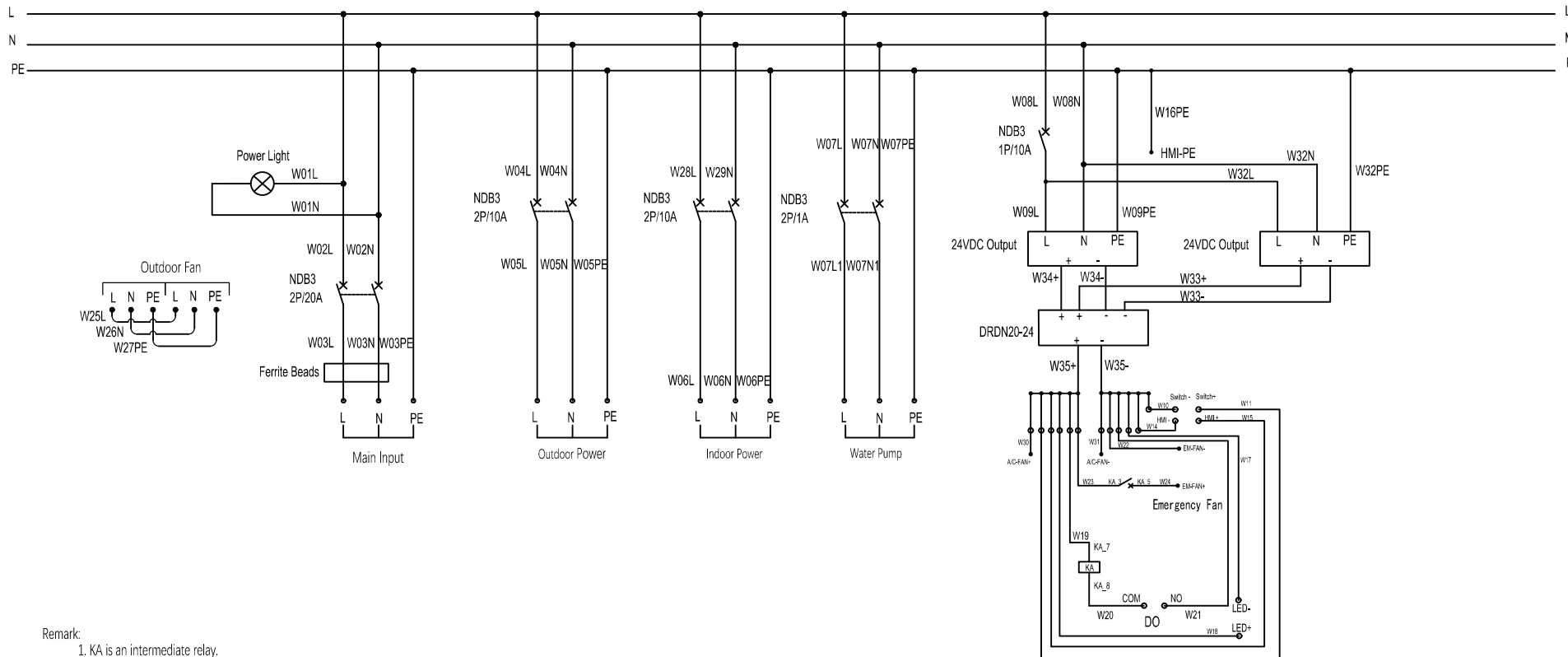
Skills requirement:

1. The position of the printed content is accurate, clear and free of burrs, and the label printing ink must meet the solvent resistance test requirements;
2. The film is made according to the ink draft, the dimensions are marked as shown in the figure, the unmarked chamfer is R3, and the unmarked tolerance is $\pm 0.2\text{mm}$;
3. The Chinese font is in bold, English and numbers are in ARIAL, the character height is 2.0mm, and the font aspect ratio is 0.7;
4. The thin line width is 0.2mm;
5. The font color of the label content is black PANTONE BLACK C, and the background color of the label is the original color of the material;

A02		E612202006	20220212
A01			20211029
A00	New archive		20210831
Version	Change content	ECO NO.	Date
DESIGNED	Jason		
REVIEWED	Derek		
PROCESSED	George		
STANDARDIZED	Rajah		
APPROVED	Derek		

NAM-7-PMB Schematic			02330058-DL	
Version	Quality	Proportion	Number	Total
Product	SmartCabinet™ ID			

Electronic file name:02330058-DL

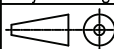


Remark:
1. KA is an intermediate relay.

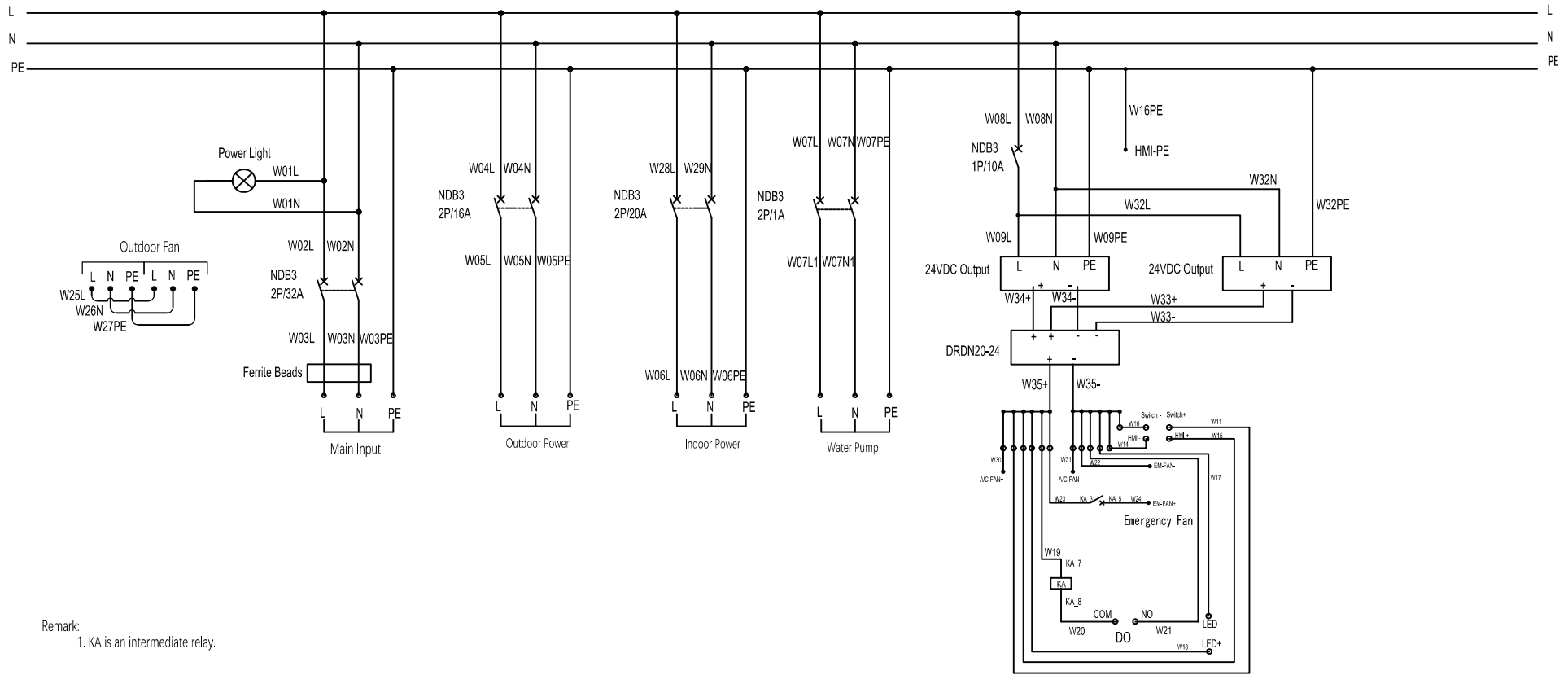
Skills requirement:

1. The position of the printed content is accurate, clear and free of burrs, and the label printing ink must meet the solvent resistance test requirements;
2. The film is made according to the ink draft, the dimensions are marked as shown in the figure, the unmarked chamfer is R3, and the unmarked tolerance is $\pm 0.2\text{mm}$;
3. The Chinese font is in bold, English and numbers are in ARIAL, the character height is 2.0mm, and the font aspect ratio is 0.7;
4. The thin line width is 0.2mm;
5. The font color of the label content is black PANTONE BLACK C, and the background color of the label is the original color of the material;

A02		E612202006	20220212
A01			20211029
A00	New archive		20210831
Version	Change content	ECO NO.	Date
DESIGNED	Jason		
REVIEWED	Derek		
PROCESSED	George		
STANDARDIZED	Rajah		
APPROVED	Derek		

EMEA-3.5-PMB Schematic			02330055-DL	
Projection logo		Code		
		02330055		
Version	Quality	Proportion	Number	Total
	/		Product	SmartCabinet™ ID

Electronic file name:02330055-DL



Remark:
1. KA is an intermediate relay.

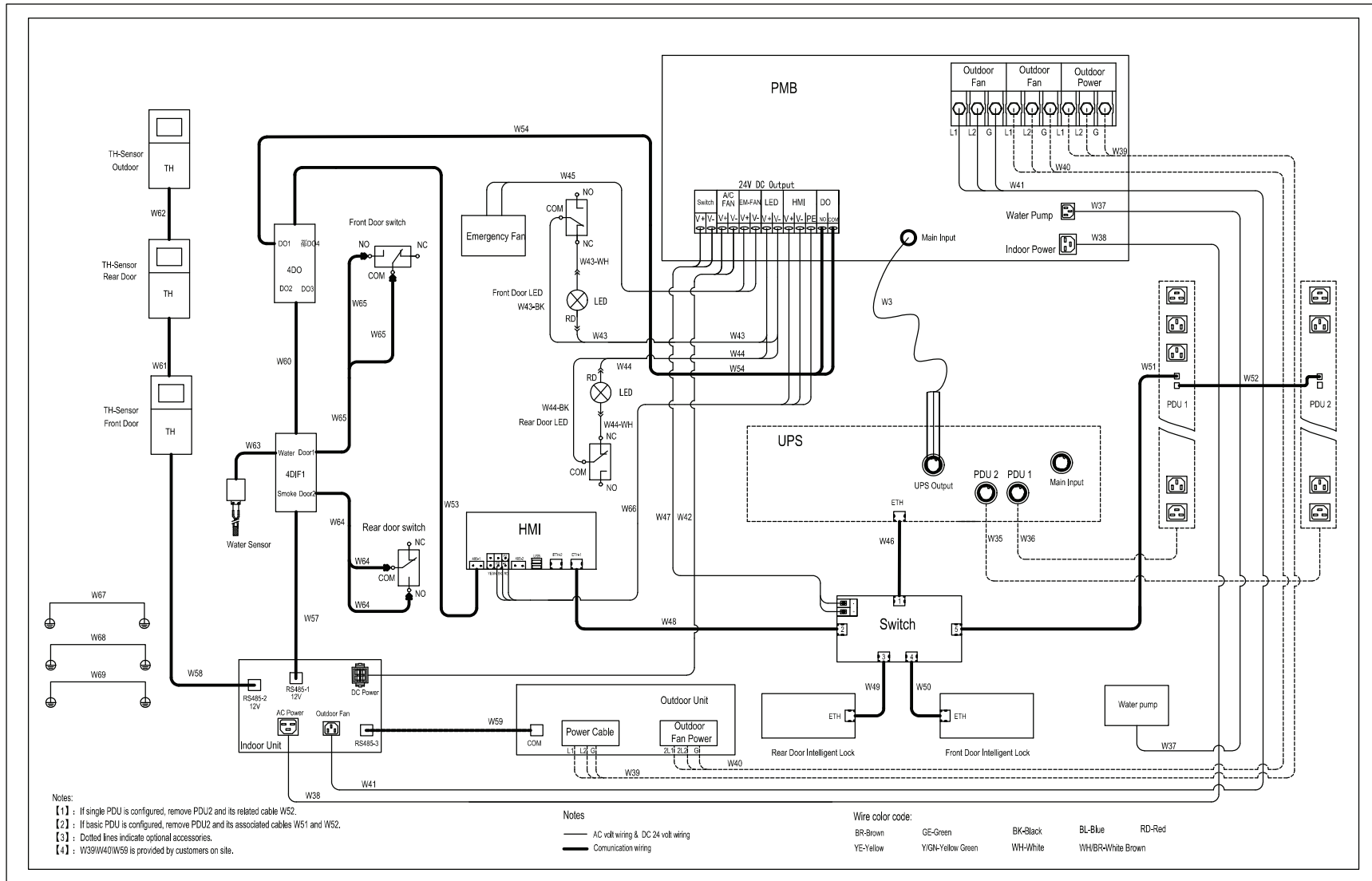
Skills requirement:

1. The position of the printed content is accurate, clear and free of burrs, and the label printing ink must meet the solvent resistance test requirements;
2. The film is made according to the ink draft, the dimensions are marked as shown in the figure, the unmarked chamfer is R3, and the unmarked tolerance is +/-0.2mm;
3. The Chinese font is in bold, English and numbers are in ARIAL, the character height is 2.0mm, and the font aspect ratio is 0.7;
4. The thin line width is 0.2mm;
5. The font color of the label content is black PANTONE BLACK C, and the background color of the label is the original color of the material;

A02		E612202006	20220212
A01			20211029
A00	New archive		20210831
Version	Change content	ECO NO.	Date
DESIGNED	Jason		
REVIEWED	Derek		
PROCESSED	George		
STANDARDIZED	Rajah		
APPROVED	Derek		

EMEA-7-PMB Schematic			02330056-DL	
Version	Quality	Proportion	Number	Total
Product	SmartCabinet™ ID			

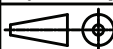
Electronic file name:02330056-DL

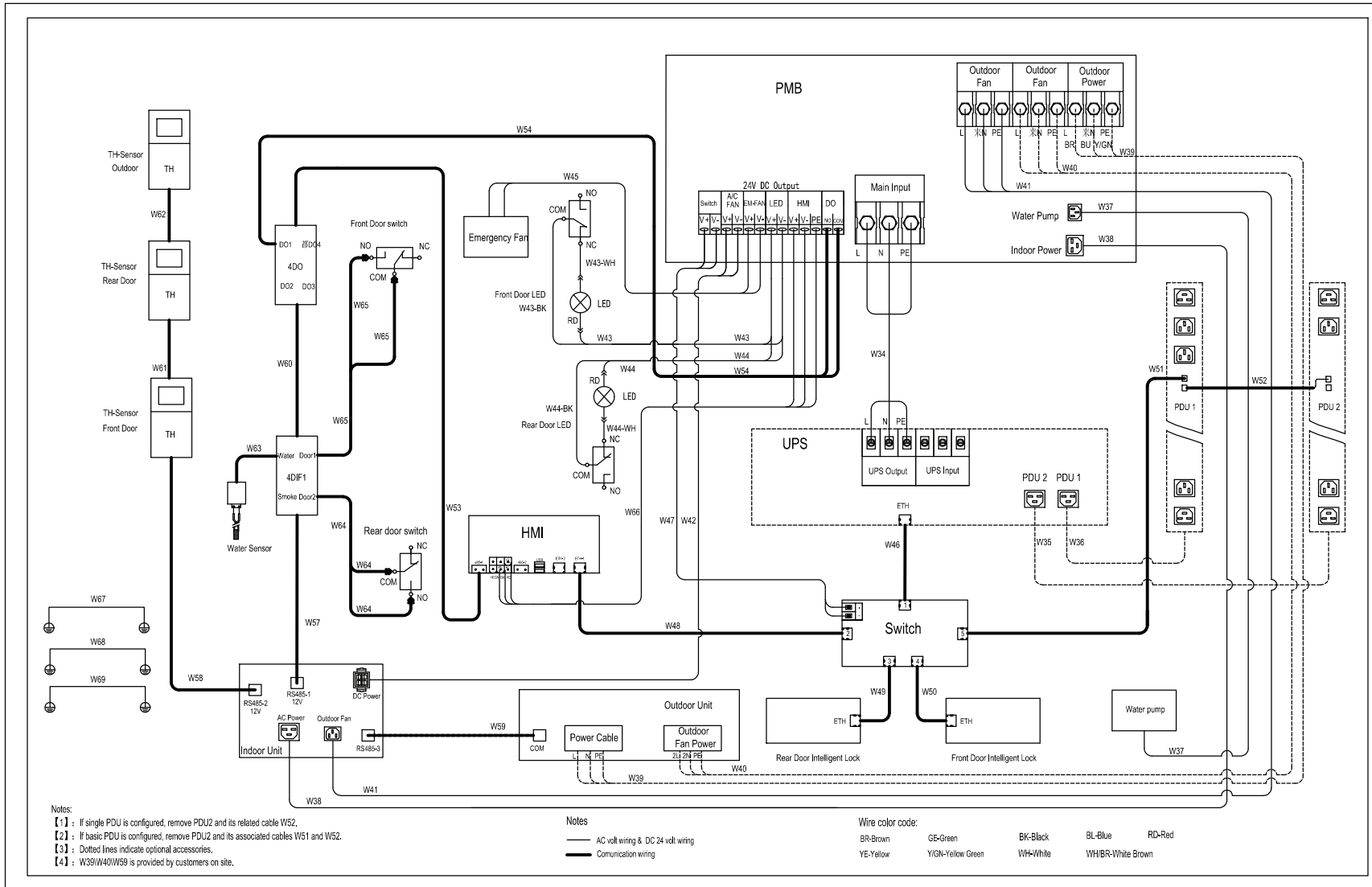


- Notes:
- [1] : If single PDU is configured, remove PDU2 and its related cable W52.
 - [2] : If basic PDU is configured, remove PDU2 and its associated cables W51 and W52.
 - [3] : Dotted lines indicate optional accessories.
 - [4] : W39/W40/W59 is provided by customers on site.

- Notes
- AC volt wiring & DC 24-volt wiring
 - Communication wiring

- Wire color code:
- BR-Brown
 - YE-Yellow
 - GE-Green
 - Y/GN-Yellow Green
 - BK-Black
 - WH-White
 - BL-Blue
 - WH/BR-White Brown
 - RD-Red

				Surface treatment	
A01			20210831	NAM-3.5-System schematic	
A00	New archive		20210423		
Version	Change content	ECO NO.	Date		
DESIGNED	Jason			Projection logo	
REVIEWED	Derek			Code	
PROCESSED	George				
STANDARDIZED	Rajah			Version	Quality
APPROVED	Derek			Proportion	Number
				Total	
				Product	SmartCabinet™ ID



Notes:

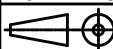
- [1] : If single PDU is configured, remove PDU2 and its related cable W52.
- [2] : If basic PDU is configured, remove PDU2 and its associated cables W51 and W52.
- [3] : Dotted lines indicate optional accessories.
- [4] : W39/W40/W39 is provided by customers on site.

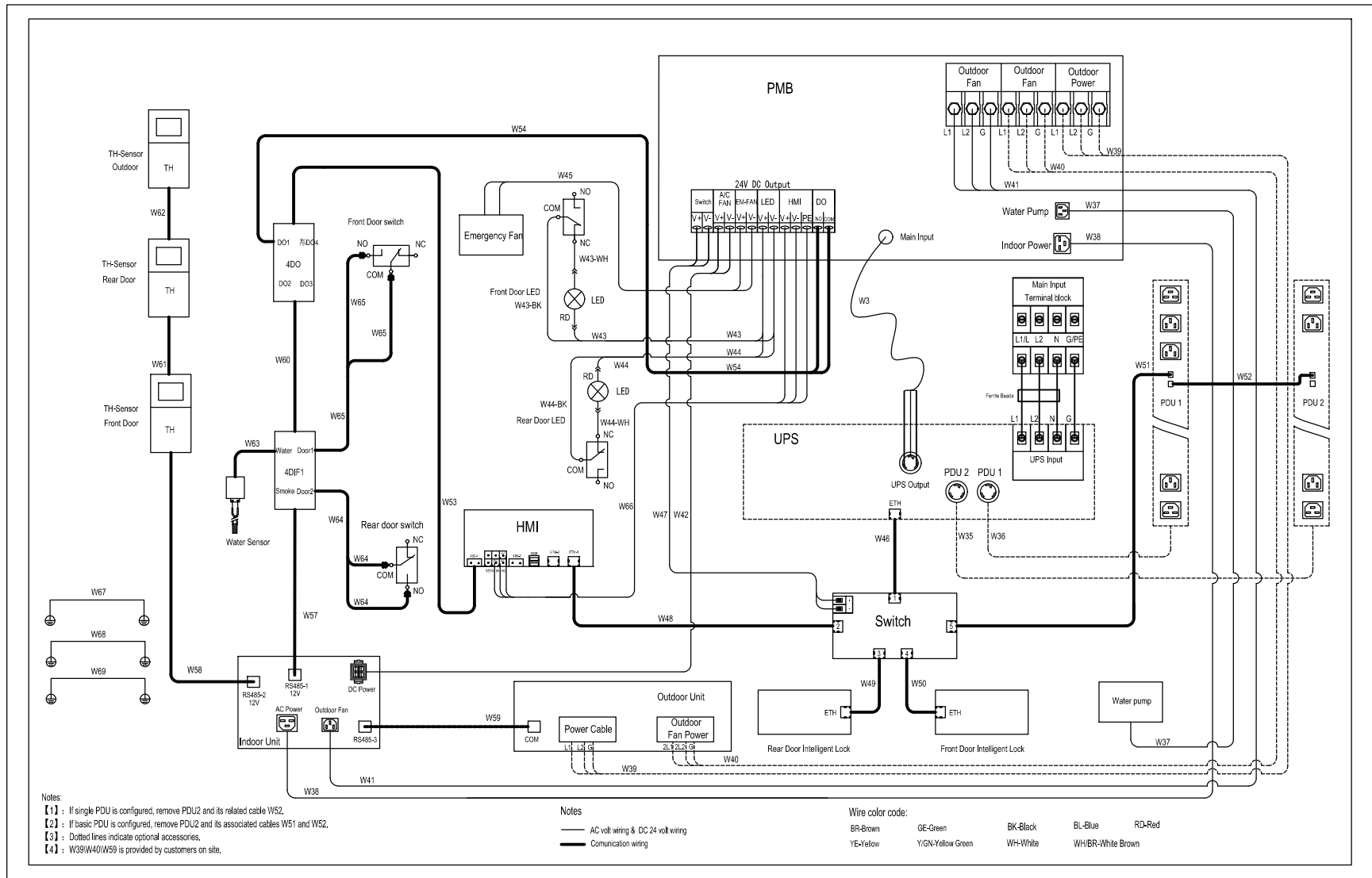
Notes

- AC volt wiring & DC 24 volt wiring
- Communication wiring

Wire color code:

- BR-Brown
- YE-Yellow
- GE-Green
- YGN-Yellow Green
- BK-Black
- WH-White
- BL-Blue
- WH/BR-White Brown
- RD-Red

				Surface treatment	
A01			20210831	EMEA-3.5-System schematic	
A00	New archive		20210423		
Version	Change content	ECO NO.	Date		
DESIGNED	Jason			Projection logo	
REVIEWED	Derek			Code	
PROCESSED	George				
STANDARDIZED	Rajah			Version	Quality
APPROVED	Derek			Proportion	Number
				Total	
				Product	SmartCabinet™ ID



- Notes:
- [1] : If single PDU is configured, remove PDU2 and its related cable W52.
- [2] : If basic PDU is configured, remove PDU2 and its associated cables W51 and W52.
- [3] : Dotted lines indicate optional accessories.
- [4] : W39/W40/W59 is provided by customers on site.

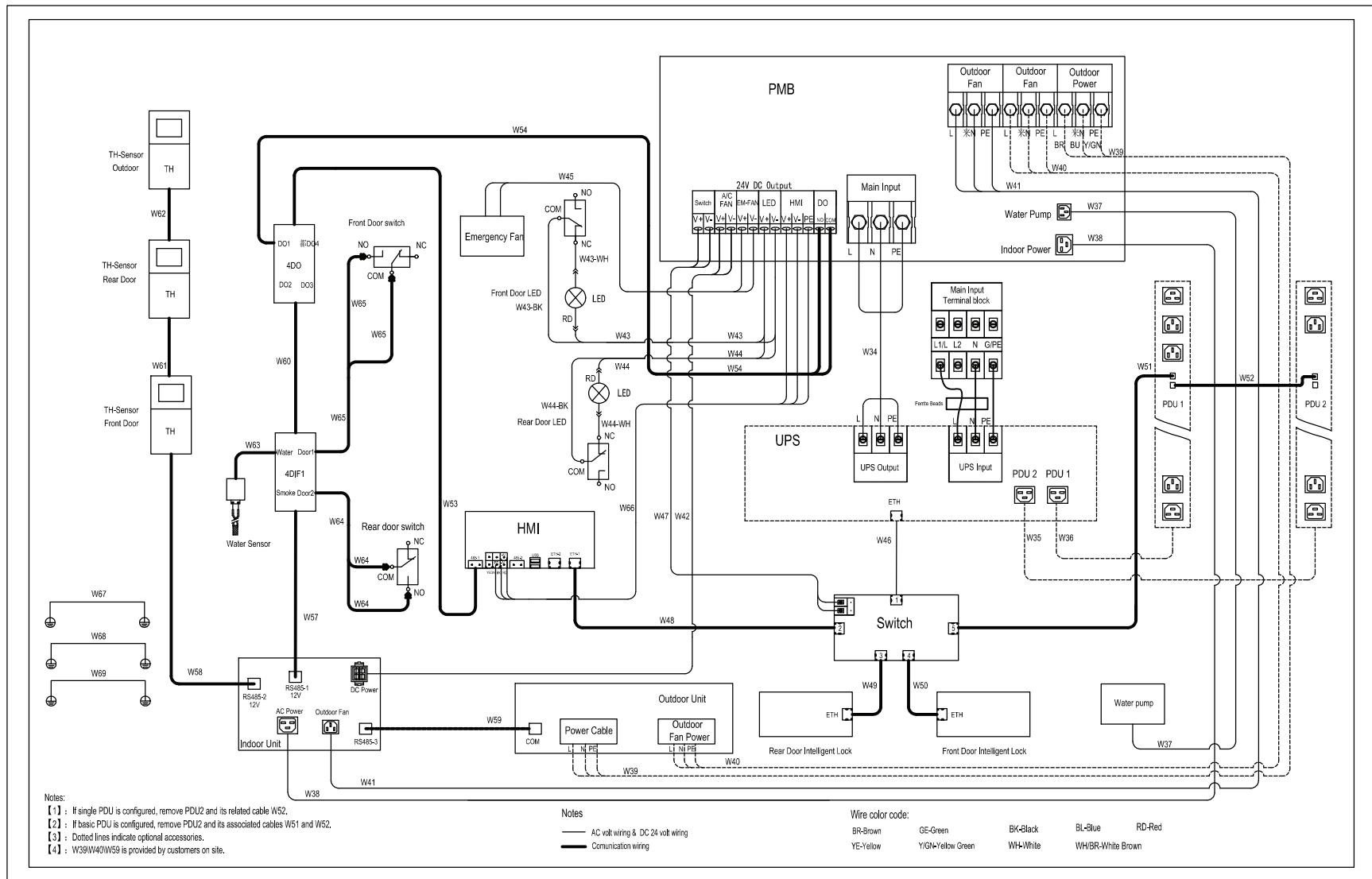
Notes

- AC vcll wiring & DC 24 volt wiring
- Communication wiring

Wire color code:

- BR-Brown
- GE-Green
- BK-Black
- BL-Blue
- RD-Red
- YE-Yellow
- YG-Yellow Green
- WH-White
- WHBR-White Brown


Surface treatment			
A01		20210831	NAM-7-System schematic
A00	New archive	20210423	
Version	Change content	ECO NO.	Date
DESIGNED	Jason		Projection logo
REVIEWED	Derek		Code
PROCESSED	George		
STANDARDIZED	Rajah		
APPROVED	Derek		Version
		Quality	Proportion
		Number	Total
		Product	SmartCabinet™ ID



Notes:
 [1] : If single PDU is configured, remove PDU2 and its related cable W52.
 [2] : If basic PDU is configured, remove PDU2 and its associated cables W51 and W52.
 [3] : Dotted lines indicate optional accessories.
 [4] : W39/W40/W59 is provided by customers on site.

Notes
 — AC volt wiring & DC 24 volt wiring
 - - - Communication wiring

Wire color code:
 BR-Brown GE-Green BK-Black BL-Blue RD-Red
 YE-Yellow Y/GN-Yellow Green WH-White WH/BR-White Brown

				Surface treatment	
A01			20210831	EMEA-7-System schematic	
A00	New archive		20210423		
Version	Change content	ECO NO.	Date		
DESIGNED	Jason			Projection logo	
REVIEWED	Derek			Code	
PROCESSED	George				
STANDARDIZED	Rajah			Version	Quality
APPROVED	Derek			Proportion	Number
				Total	
				Product	SmartCabinet™ ID

Connect with Vertiv on Social Media



<https://www.facebook.com/vertiv/>



<https://www.instagram.com/vertiv/>



<https://www.linkedin.com/company/vertiv/>



<https://www.twitter.com/Vertiv/>



Vertiv.com | Vertiv Headquarters, 1050 Dearborn Drive, Columbus, OH, 43085, USA

© 2023 Vertiv Group Corp. All rights reserved. Vertiv™ and the Vertiv logo are trademarks or registered trademarks of Vertiv Group Corp. All other names and logos referred to are trade names, trademarks or registered trademarks of their respective owners. While every precaution has been taken to ensure accuracy and completeness here, Vertiv Group Corp. assumes no responsibility, and disclaims all liability, for damages resulting from use of this information or for any errors or omissions. Specifications, rebates and other promotional offers are subject to change at Vertiv's sole discretion upon notice.

SL-71137_REVA_10-23