

LIEBERT® LIQUI-TECT™ 410 POINT LEAK-DETECTION SENSOR

Installation Guide



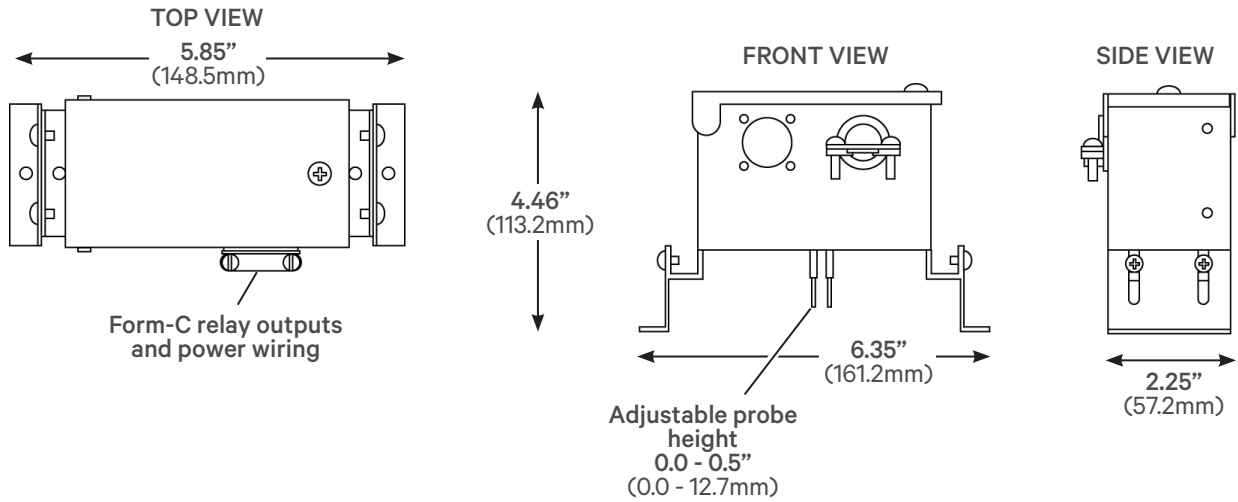
Liebert Liqui-tect™ Leak Detection Sensors install quickly and work simply for reliable detection of leaks.

The Liqui-tect 410 Sensor should be placed at critical points on the floor. Two corrosion-resistant, gold-plated probes sense the presence of aqueous liquids.

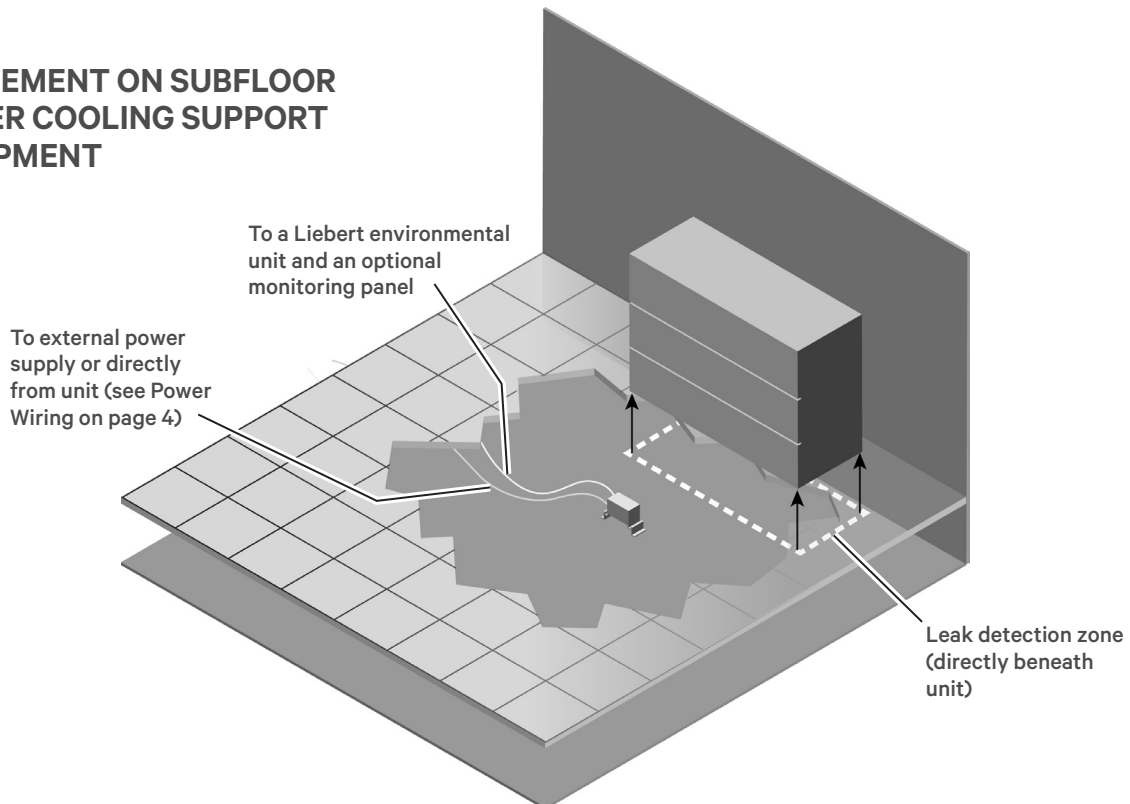
When a leak is detected, dual Form-C relay outputs can simultaneously signal a local alarm panel and a remote monitoring system. The Liqui-tect 410 Sensor features supervised operation: circuit failure or loss of power are detected and indicated as alarm conditions, providing a completely self-monitored leak detection system.

The following pages provide the sensor dimensions, mounting, location, and wiring detail to install your Liqui-tect sensor

DIMENSIONS - TOP, FRONT AND SIDE



PLACEMENT ON SUBFLOOR UNDER COOLING SUPPORT EQUIPMENT



As shown in the illustration on page 2, Liqui-tect 410 (LT410) may be placed on a subfloor within the leak detection zone—the area directly beneath the unit being protected or other areas such as the unit drip pan or ceiling pipe trays.

The LT410 requires a 24 VAC power supply either from the environmental unit or an external source. There are two sets of Form-C dry contacts for connection to a Liebert thermal-management unit and an external monitoring panel.

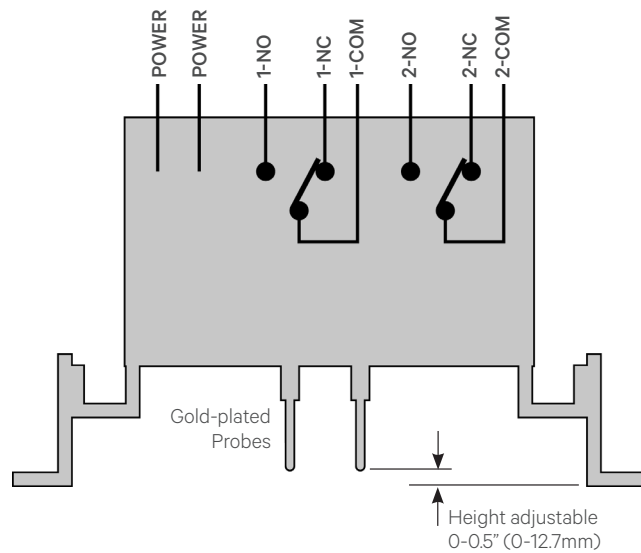
NOTES

This equipment has been tested and found to comply with the limits for a Class A digital device, pursuant to part 15 of FCC rules. These limits are designed to provide reasonable protection against harmful interference when the equipment is operated in a commercial environment. This equipment generates, uses, and can radiate radio frequency energy and, if not installed and used in accordance with the instruction manual, may cause harmful interference to radio communications. Operation of this equipment in a residential area is likely to cause harmful interference in which case the user will be required to correct the interference at his own expense.

WIRING INTERCONNECTIONS

Circuits are shown in powered, non-alarm state.

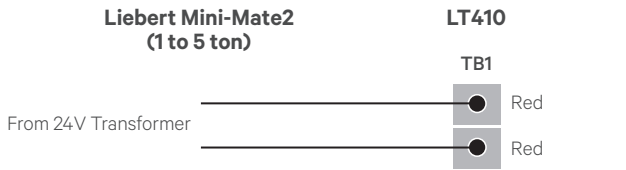
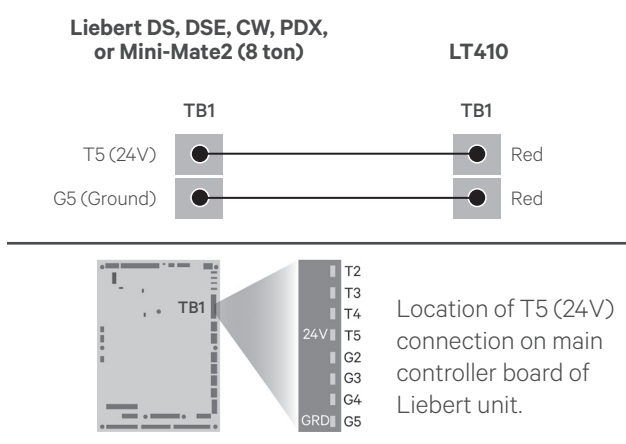
NOTE: All power and alarm connections must be Class 2 circuits.



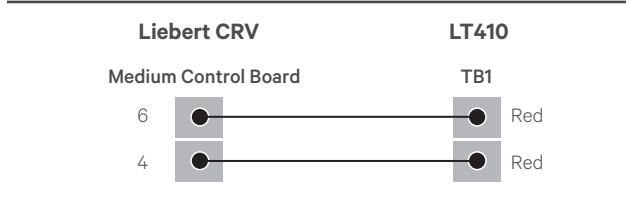
Red Wires	Orange Wires	Yellow Wires
24 V, AC/DC @ 0.10A, 50-60 Hz, DC Class 2 Circuit Only	Alarm Contact Rating 24 VAC @ 3A Class 2 Circuit Only	Alarm Contact Rating 24 VAC @ 3A Class 2 Circuit Only

POWER WIRING

The LT410 is rated for 24 VAC, 50/60 Hz, and 0.10 A.



* Requires external transformer (there are no designated terminal connections on the unit)



WIRING TO AUXILIARY ALARM PANELS

The LT410 has two Form-C dry contact alarm output contacts: orange wires (1) and yellow wires (2). Each contact is rated for 24 VAC at 3 amp.

