



Liebert® XDV™

50 & 60 Hz

User Manual

Technical Support Site

If you encounter any installation or operational issues with your product, check the pertinent section of this manual to see if the issue can be resolved by following outlined procedures. Visit <https://www.VertivCo.com/en-us/support/> for additional assistance.

TABLE OF CONTENTS

1 Important Safety Guidelines - Save These Instructions	1
2 Introduction	5
2.1 References	5
2.2 Pre-Installation Checks	5
2.3 Packing List	5
2.4 Installation Considerations	5
2.4.1 Room Preparation	6
3 General product information	7
3.1 Product/System Description	7
3.2 Checking and Unpacking	7
3.2.1 Recyclable Packaging	8
3.2.2 Module Handling	9
3.2.3 Unpacking the Module	9
4 Mechanical Considerations	13
4.1 Liebert XDV Dimensions	13
4.2 Determining Placement in the Conditioned Space	13
4.3 Changing the Air Intake Location	14
5 Installing the Module	17
5.1 Mounting the Liebert XDV on Top of the Cabinet	17
5.1.1 Bolting Liebert XDV to Top of Cabinet	17
5.1.2 Using Supplied Clips for Mounting	19
5.2 Suspended Mounting Method	20
5.2.1 Suspending the Liebert XDV from Unistruts	21
5.2.2 Suspending the Liebert XDV from Overhead Structures	22
5.3 Mounting Liebert XDVs in Stacked Setup	23
5.3.1 Hanging Stacked Liebert XDVs from Unistruts	24
5.3.2 Hanging Stacked Liebert XDVs from the Overhead Structure	26
6 Piping	27
6.1 European Union Fluorinated Greenhouse Gas Requirements	27
6.2 System Connection Configuration	27
6.3 Connection Methods and Points	29
6.4 Insulation	29
6.5 Venting the Holding Charge for Hard-Piped or Removable Liebert XD™ Flex Pipe Connections	29
6.6 Brazing Preparations	30
6.7 Recommended Piping Size	31
6.8 Hard-Piped Connection Sizes	32
6.9 Liebert XD™ Piping Slope	34
6.10 Piping Details - Shutoff / Isolation Valves	34
6.11 Leak Checking and Evacuation	34
6.12 Header System	34

6.13 Field Installation of Liebert XD™ Flex Pipe Kit on Liebert XDV	34
6.13.1 Connection Methods—One-Shot Connections for Pre-Charged Refrigerant Option	35
6.13.2 Connect a Liebert XDV with One-Shot Couplings to Liebert XD™ Flex Pipe	36
6.13.3 Connection Methods—Removable Couplings	39
6.13.4 Connect Liebert XD™ Flex Pipe with Removable Coupling to a Liebert XD Cooling Module	39
6.13.5 Connect a Liebert XDV with Liebert XD™ Flex Pipe to a Liebert XD System	41
6.13.6 Disconnect a Liebert XD™ Flex Pipe from a Liebert XD System	45
6.13.7 Disconnecting the Liebert XD™ Flex Pipe from the Liebert XDV	46
6.13.8 Removing the Liebert XDV from a Cabinet	47
7 Electrical Connections	49
7.1 Connecting High-Voltage Cables to Liebert XDV	49
7.2 Low-Voltage Wiring—Liebert XDV Smart Modules	54
8 CANbus Liebert XDP™ or Liebert XDC™ Interconnection With Smart Modules	55
8.1 Network Layout Options	55
8.1.1 Remote Temperature/Humidity Sensor Placement and Connection to the CANbus	56
8.1.2 CANbus Maximum Length	58
8.1.3 Measuring Final Device Voltage	58
8.2 CANbus Cables	58
8.3 Connecting the CANbus Network	60
8.3.1 Connection to the Liebert XDP or Liebert XDC	60
8.3.2 Connecting to the Liebert XD™ Smart Modules	61
8.4 CANbus Termination	62
8.4.1 Remote Temperature and Humidity Sensors Termination	62
8.4.2 Terminating a Smart Module	63
8.4.3 Testing Network Termination	64
9 Installation Checklist and System Fill for Startup	67
9.1 Checklist for Proper Installation	67
9.2 Charging with Refrigerant and Starting the Liebert XD System	67
10 Operation	69
10.1 Start the Liebert XDV Basic Module	69
10.2 Start the Liebert XDV Smart Module	70
10.3 LED Indicators on Liebert XDV Smart Modules	71
10.3.1 Activating Remote Shutdown Option	72
11 Maintenance	73
11.1 Fluorinated Greenhouse Gas Requirements	73
11.2 Internal Access	73
11.2.1 Accessing Internal Electrical Components	74
11.2.2 Remove the Fan Tray	74
11.2.3 Reattach the Fan Tray	75
12 Specifications	77

1 IMPORTANT SAFETY GUIDELINES - SAVE THESE INSTRUCTIONS

This manual contains important safety instructions that should be followed during the installation and maintenance of the Liebert® XDV. Read this manual thoroughly before attempting to install or operate this unit.

Only properly trained and qualified personnel should move, install or service this equipment.

Adhere to all warnings, cautions, notices and installation, operating and safety instructions on the unit and in this manual. Follow all operating and user instructions.



WARNING! Risk of arc flash and electric shock. Can cause property damage, injury or death.

Disconnect all local and remote electric power supplies and wear protective equipment per NFPA 70E before working within the cabinet. Customer must provide earth ground to unit, per NEC, CEC and local codes, as applicable.

Before proceeding with installation of Liebert XD™ cooling modules, read all instructions, verify that all the parts are included and check the nameplate to be sure the Liebert XD cooling module's voltage matches available utility power.

Follow all local codes.



WARNING! Risk of Liebert XDV cooling module and cabinet assembly tipping over. Can cause property damage, injury or death.

The Liebert XDV cooling module and cabinet assembly may be top heavy. Use extreme caution and care when moving and installing this module.



WARNING! Risk of explosive discharge. Can cause equipment damage, injury or death.

Closing service valves may isolate liquid refrigerant, causing high pressure and rupture of piping. Do not close valves without follow recommended procedures for repair, maintenance and replacement of components. Installing pressure relief valves in field piping that may become isolated by service valves.



WARNING! Risk of contact with high-speed moving parts. Can cause injury or death.

Disconnect all local and remote electric power supplies and verify that the fans have stopped rotating before working in the unit.



WARNING! Risk of refrigerant system rupture or explosion from overpressurization. Can cause equipment damage, injury or death.

For systems requiring EU CE compliance (50Hz), the system installer must provide and install a discharge pressure relief valve rated for a maximum of 90 psig (6.2 bar) in the refrigerant circuit. Do not install a shutoff valve between the refrigerant pump and the field installed relief valve. The pressure relief valve must be CE-certified to the EU Pressure Equipment Directive by an EU “Notified Body.”

NOTE: This document must be used together with site specific documentation and documentation for other parts of the system (heat rejection devices and cooling modules).

NOTE: Before any action that could cause a disturbance in the Liebert XD system’s cooling function is begun, the facility manager **MUST** be informed. In addition, after the action is taken and the work is finished, the facility manager **MUST** be informed.

Fluorinated Greenhouse Gas Requirements—European Union

Stationary air conditioning, refrigeration, heat pump equipments and stationary fire protection systems in the European Community market and operating with fluorinated greenhouse gases (f-gas), such as R407C, R134a, R410A, must comply with the F-Gas Regulation: (EC) No. 842/2006 (F-gas). The regulation prohibits, among other actions, venting fluorinated greenhouse gases to the atmosphere.

The F-Gas Regulation also requires operators to use all measures that are technically feasible and do not entail disproportionate cost to prevent leakage of these gases, to test for leakage regularly and to recover f-gas during equipment service and maintenance and before disposing of equipment.

Refer to the full regulation for additional details.

Liebert XDV Component Locations and Model Number Nomenclature

Figure 1.1 Liebert XDV component locations

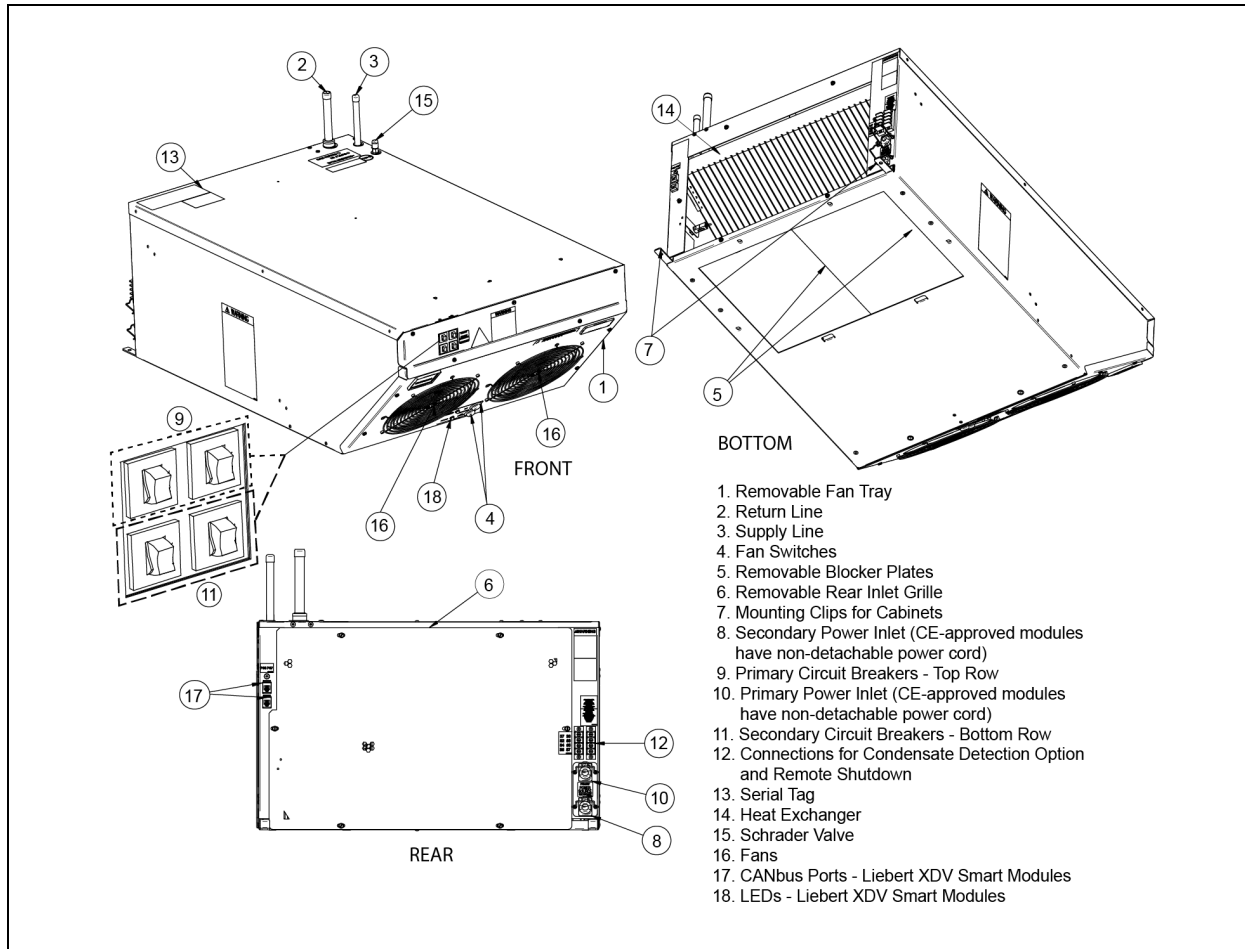
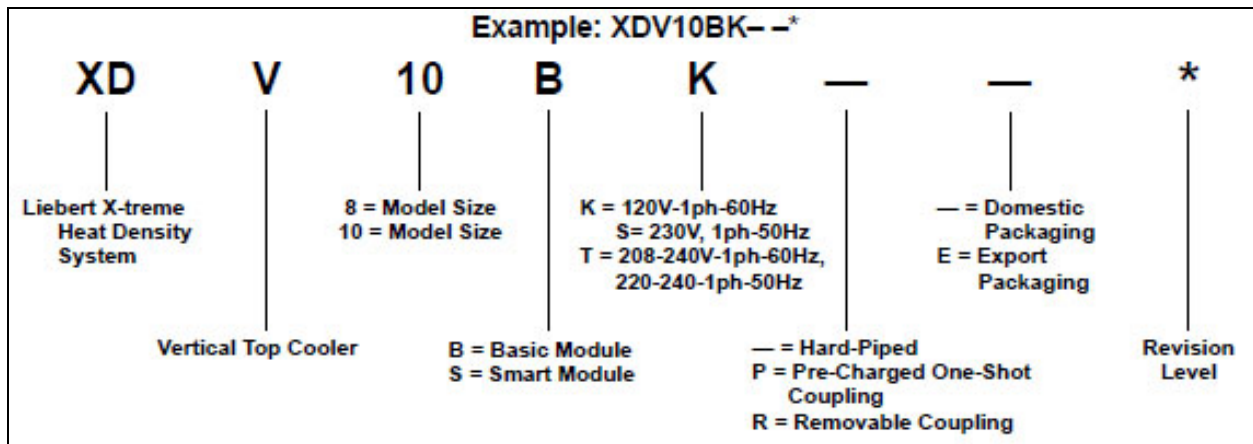


Figure 1.2 Liebert XDV model number nomenclature



This page intentionally left blank.

2 INTRODUCTION

2.1 References

This document must be used together with site-specific documentation and documentation for other parts of the system.

2.2 Pre-Installation Checks

- Verify that the Liebert XDV voltage matches the available utility power. The serial tag with this information is on the top of the module, near the rear.
- Check the received materials to be sure all required assemblies and parts have been received. If you discover any external damage, report it to the shipping company and your local Vertiv representative.

2.3 Packing List

- User manual (this document)
- Liebert XDV module
- Parts bag including:
 - IEC 10 ft. (3m) power cords, 2 (60Hz only; power cords for 50Hz are attached)
 - 1/4 - 20 full thread 1" bolts, 4
 - 1/4 inch locking hex nuts, 2
 - mounting clips, 2

2.4 Installation Considerations

Each Liebert XDV module is to be securely mounted either on the top of a computer cabinet or rack or above the heat-producing equipment. Mounting the Liebert XDV above the rack requires Liebert's optional mounting kit.

The modules are designed to be mounted without modification on Liebert Foundation™ cabinets. Mounting clips included with the Liebert XDV permit installation on other manufacturers' cabinets and racks. The clips also can be used with the Foundation for stronger attachment.

Determine whether the Liebert XDV includes the smart module control board (factory-installed). This option requires separate low-voltage connections to a monitoring unit.

To minimize the possibility of condensation, insulate all piping between the Liebert XDV and the Liebert XDP™ or Liebert XDC™.

Table 2.1 Application limits

Input Voltage		Range of Return Air Conditions to Module	
Minimum	Maximum	Dry Bulb Temp.	Relative Humidity
-10%	+10%	60° to 100°F (16° to 38°C)	20% to 80%

2.4.1 Room Preparation

The room should be well-insulated and must have a sealed vapor barrier. The vapor barrier in the ceiling and walls can be a polyethylene film. Paint on concrete walls and floors should contain either rubber or plastic.

NOTE: The vapor barrier is the single most important requirement for maintaining environmental control in the conditioned space.

Outside or fresh air should be kept to a minimum when temperature and humidity must be tightly controlled. Outside air adds to the cooling, heating, dehumidifying and humidifying loads of the site. Doors should be properly sealed to minimize leaks and should not contain ventilation grilles.

3 GENERAL PRODUCT INFORMATION

3.1 Product/System Description

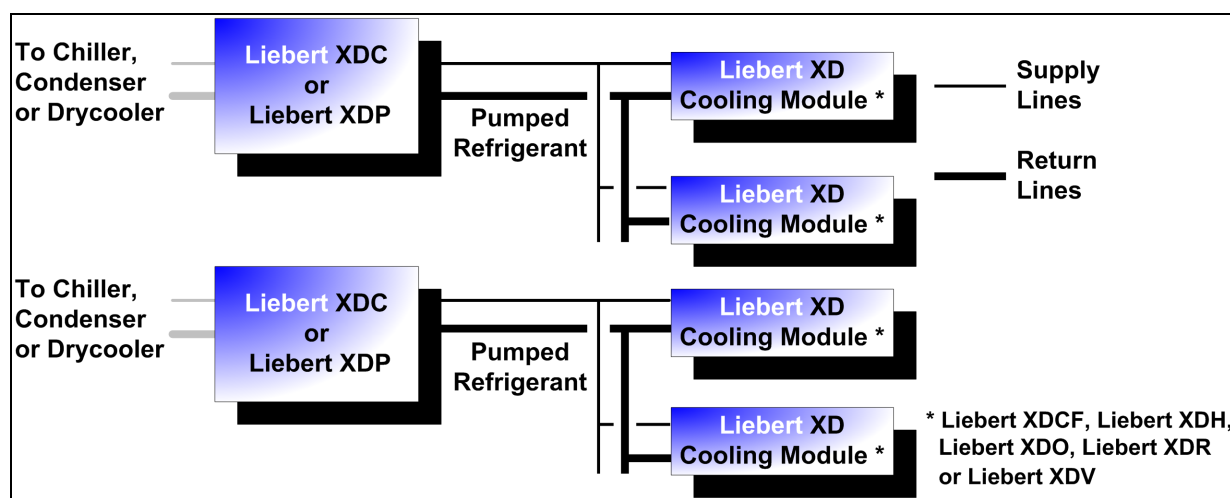
The Liebert XDV cooling system is designed to be attached to the top of a computer cabinet or rack containing heat-dissipating equipment. Two fans draw hot air exhausted from the equipment or from the hot aisle, pass it through a cooling coil and discharge cool air back down to the cold aisle, where the equipment's air intake is located.

The Liebert XDV comes from the factory ready to draw heated air through a perforated grille on the back of the module. The Liebert XDV is easily modified to draw hot air through the bottom of the module, should that cooling method be better suited to the application.

Liebert XDV smart modules allow remote shutdown, fan failure alarms and automatically switching one fan On and Off. This saves energy by permitting the module to run with one fan and switching on a second fan when the temperature requires both fans for cooling. The smart modules also give notification if any condensation occurs in the Liebert XDV's.

The complete system consists of Liebert XDV modules, Liebert XDP™ or Liebert XDC™ coolant distribution units, power and signal cabling and interconnecting piping, see the following figure.

Figure 3.1 Generic piping layout



3.2 Checking and Unpacking

Upon arrival of the module and before unpacking, verify that the labeled equipment matches the bill of lading. Inspect all items for either visible or concealed damage. Damage should be immediately reported to the carrier and a damage claim filed with a copy sent to Vertiv or to your sales representative. If you later find any concealed damage, report it to both the shipping company and your local Vertiv representative.

Check to be sure all required assemblies and parts have been received.

The Liebert XDV is shipped in a protective carton and secured to a pallet (see [Removing domestic shipping package](#) on page 10 and [Removing export shipping package](#) on page 11). Do not remove these protective items from the Liebert XDV before it is at the installation location. When unpacking and handling the Liebert XDV, exercise extra care to prevent damage.

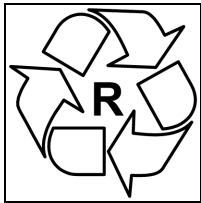
! CAUTION: Risk of sudden refrigerant discharge. Can cause loss of charge and minor injury.

If the optional pre-charged option is chosen, the Liebert XDV module is shipped with a full charge of R-134a refrigerant under pressure. Do not remove the pipe caps or plugs before the module is ready for connection to Liebert XD™ Piping.

Supply and return couplings on the pre-charged Liebert XDV modules are one-shot connections. Do not disconnect one-shot connections after they have been connected. Disconnection will release pressurized R-134a refrigerant from the Liebert XDV.

3.2.1 Recyclable Packaging

All material used to package this module is recyclable. Please save for future use or dispose of the material appropriately.



! WARNING! Risk of improper handling. Can cause equipment damage, injury or death.

Read all of the following instructions before attempting to move, lift, remove packaging from, or preparing module for installation. Use extreme caution and care when moving and installing this unit. Use lifting equipment that is rated for the weight of the unit by an OSHA-certified rating organization. See [Liebert XDV10 specifications](#) on page 77 and [Liebert XDV8 specifications](#) on page 78 for unit weights. Personnel should be properly trained and qualified to move and rig equipment.

! CAUTION: Risk of sharp edges, splinters and exposed fasteners. Can cause injury.

Only properly trained personnel wearing appropriate safety headgear, gloves, shoes and glasses should attempt to move, lift, remove packaging from, or prepare module for installation.

NOTICE

Risk of improper storage. Can cause module damage.

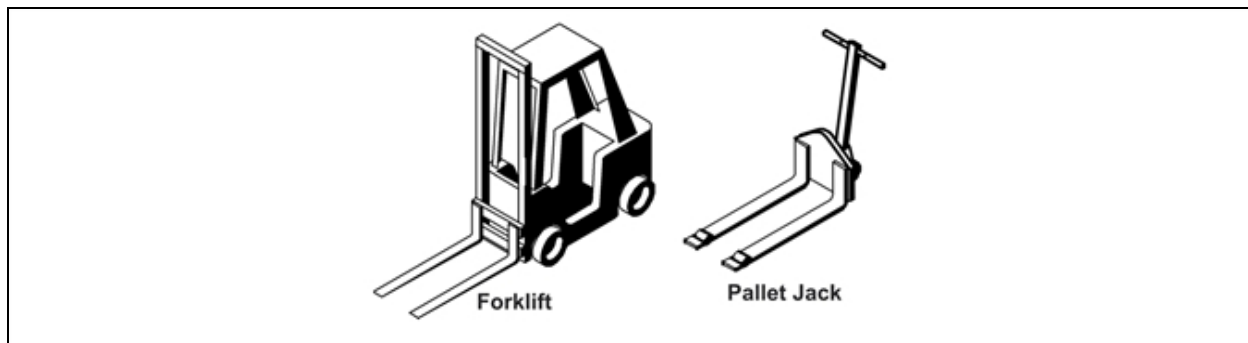
Keep the module indoors and protected from dampness, freezing temperatures and contact damage.

NOTICE

Risk of damage from forklift. Improper handling with the forklift can cause exterior and/or underside damage.

Keep tines of the forklift level and at a height suitable to fit below the pallet.

Figure 3.2 Recommended module handling equipment



3.2.2 Module Handling

If possible, transport the module using a forklift or pallet jack.

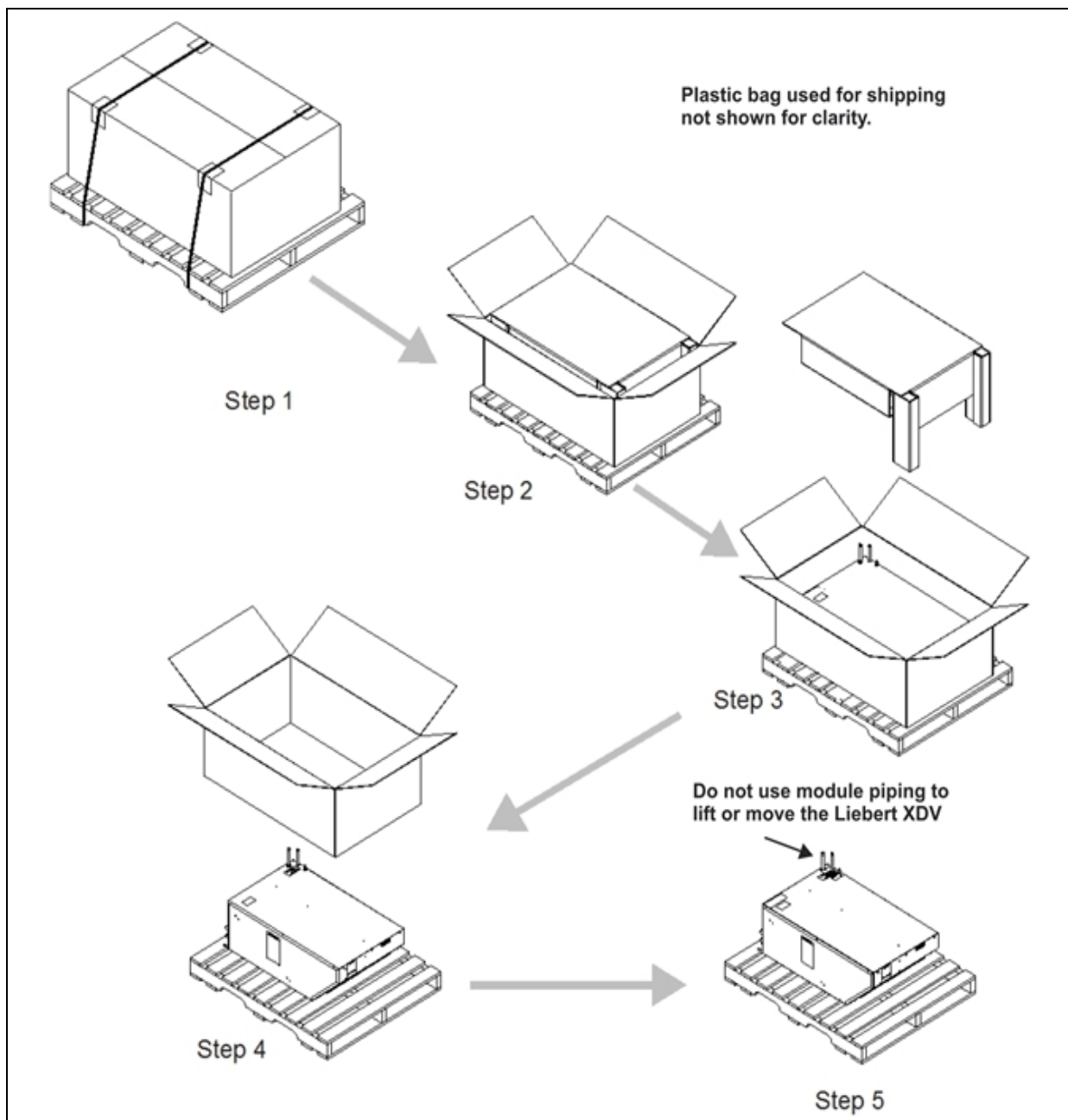
- If using a forklift or pallet jack, ensure that the fork tine length is suitable to safely move the packaged module.
- Vertiv recommends that the module remain in the protective packaging until it has been moved to the installation site.
- When handling and unpacking the module, exercise great care to prevent damage.
- Do not use module piping to lift or move the Liebert XDV.

3.2.3 Unpacking the Module

Domestic Packaging

1. Remove outer packaging when ready to install the Liebert XDV.
2. Keep the Liebert XDV covered by the module bag until removal from pallet.

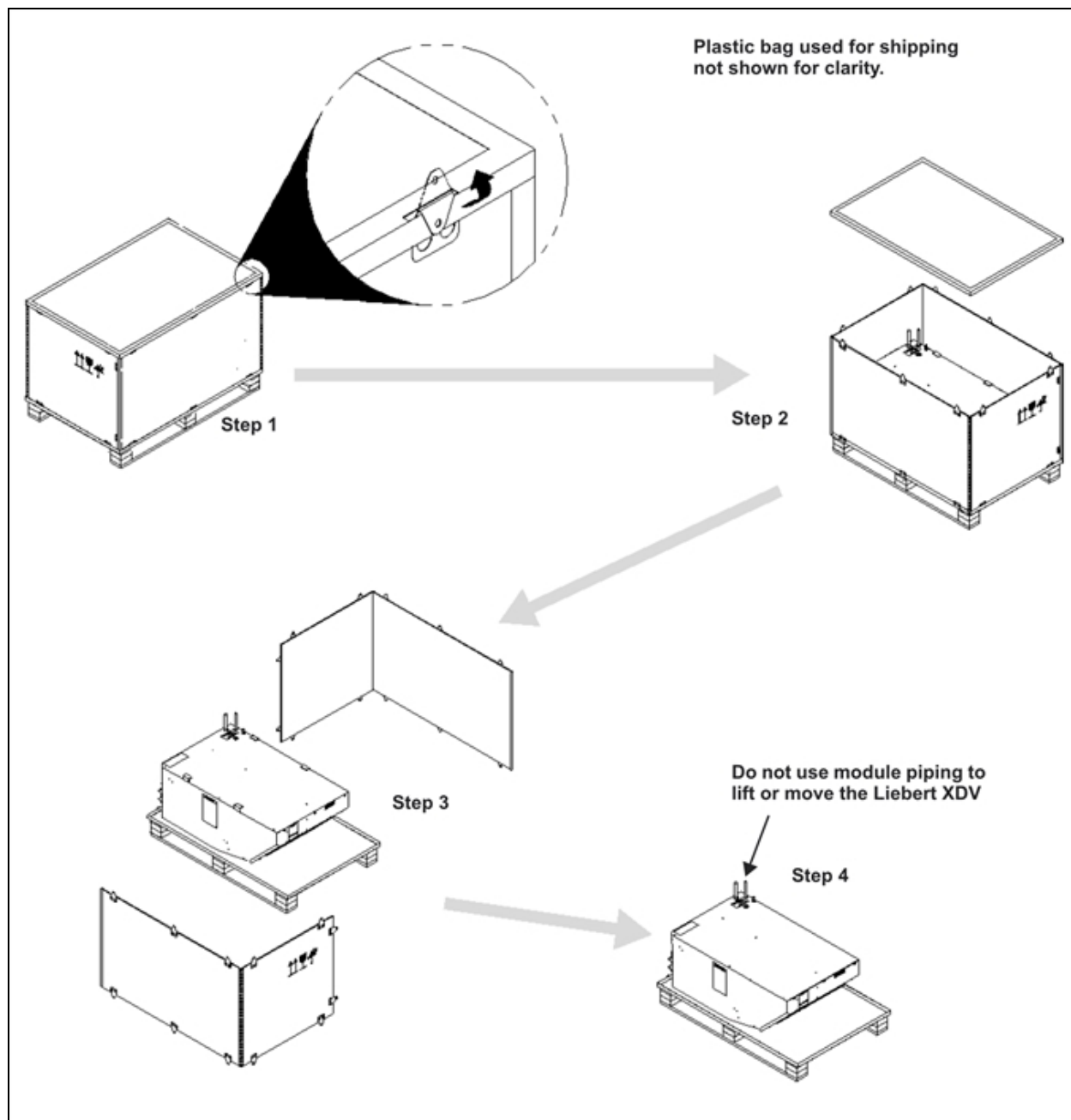
Figure 3.3 Removing domestic shipping package



Export Packaging

1. Unbend all metal tabs as indicated in **Step 1** in the following figure.
2. Remove outer packaging when ready to install the Liebert XDV.
3. Keep the Liebert XDV covered by the module bag until removal from pallet.
4. Do not use module piping to lift or move the Liebert XDV.

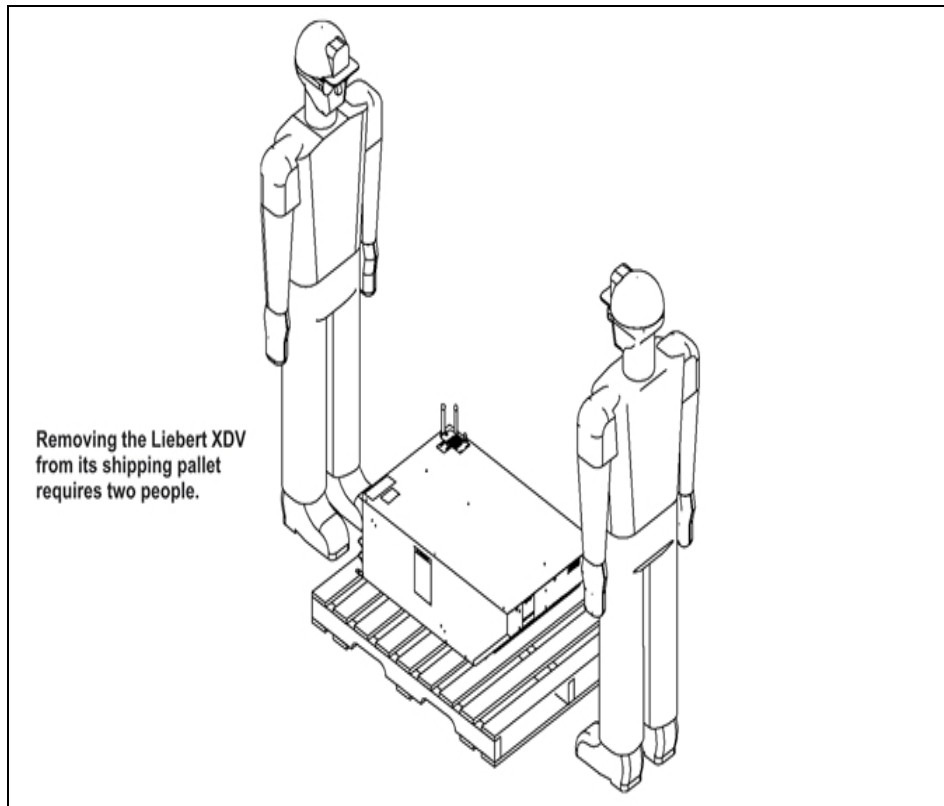
Figure 3.4 Removing export shipping package



Removing the Liebert XDV from the Pallet

1. Unfold the module bag to expose the Liebert XDV.
2. Verify the nameplate information found on the Liebert XDV against the bill of lading. If the information does not match the product specified, contact your Vertiv representative.
3. At least two properly trained and qualified personnel may lift the Liebert XDV off the pallet and onto a flat surface.
4. To protect the Liebert XDV's paint, lay non-abrasive material, longer and wider than the module, on the flat surface before moving the Liebert XDV.

Figure 3.5 Removing Liebert XDV from shipping pallet



4 MECHANICAL CONSIDERATIONS

4.1 Liebert XDV Dimensions

Figure 4.1 Liebert XDV dimensions

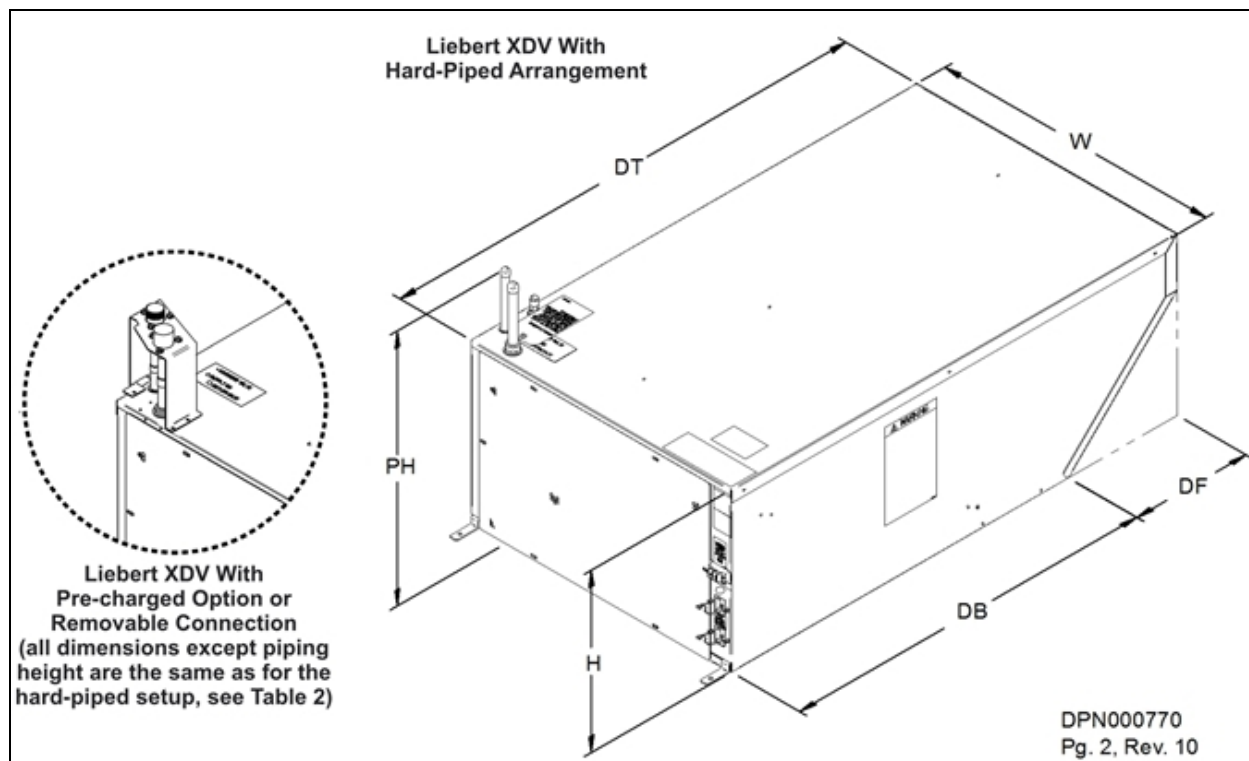


Table 4.1 Dimensional data

Illustration Key	Dimension	Measurement, in. (mm)
DT	Depth Top	39-1/2 (1003)
DB	Depth Bottom	29-5/8 (752)
W	Width	22-7/8 (581)
H	Height	14 (356)
PH	Piping Height	18-5/8 (473)
	Depth Front	9-7/8 (251)

4.2 Determining Placement in the Conditioned Space

Refer to site-specific drawings for exact spacing. Liebert XDV's should be placed above or on top of the cabinets that generate the greatest amount of heat. If heat loads are dispersed evenly throughout the room, the Liebert XDV modules may be spread out accordingly. Refer to site-specific drawings for exact spacing.

The Liebert XDV is engineered to fit atop computer enclosure cabinets. The previous figure illustrates the module's dimensions and the location of pipes, the fan tray and power connections. (An optional kit is available to permit suspending the Liebert XDV from either field-supplied unistruts or from the overhead structure; see [Suspended Mounting Method](#) on page 20).

4.3 Changing the Air Intake Location

The Liebert XDV comes from the factory with the air intake on the rear of the module. If required for your application, this can be changed so that the Liebert XDV takes in heated air from the bottom. This is done more easily and safely before the module is mounted on a computer cabinet.



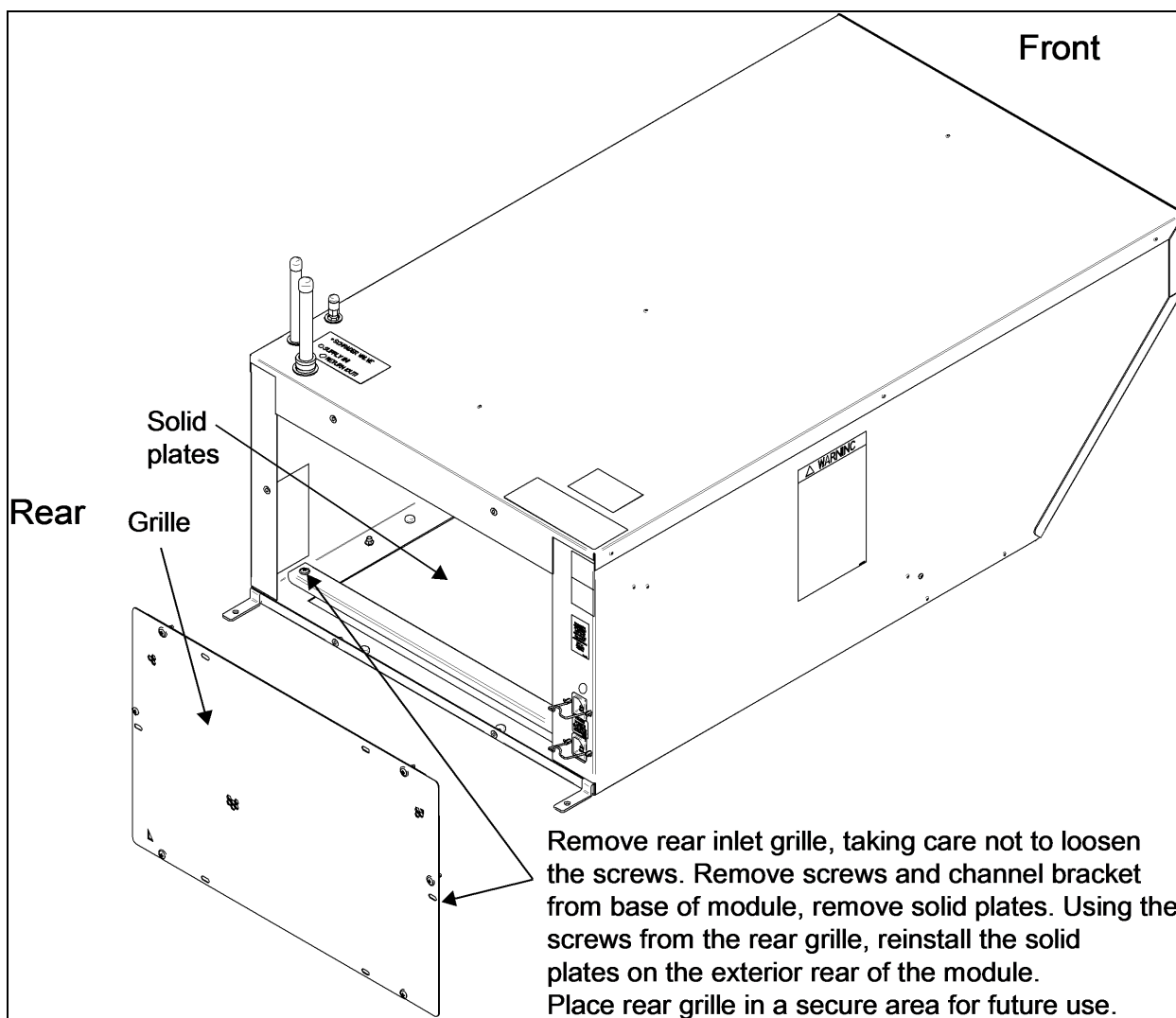
WARNING! Risk of high-speed moving parts. Can cause injury or death.

Before opening the Liebert XDV, shut the module off and disconnect all electrical power. Verify that the Liebert XDV's fans have stopped rotating before opening the module.

To change the air intake:

1. Loosen the six screws holding the grille on the rear of the Liebert XDV (see the following figure).
2. Remove the grille and lay it aside for use later.
3. Remove the channel bracket holding the two solid metal plates to the bottom of the Liebert XDV. It is secured with two screws, one on either end.
4. Lift the two solid plates out of the bottom of the Liebert XDV.
5. Optional—replace the channel bracket, securing it with the two screws removed in **Step 3**.
6. Lay the perforated grille down with the screws pointing up
7. Lay the two solid plates on the grille with the screws through the matching holes of the plates.
8. Hold the grille and plates together and attach the assembly to the rear of the Liebert XDV with the screws.

Figure 4.2 Changing the Liebert XDV's air intake location



This page intentionally left blank.

5 INSTALLING THE MODULE

The Liebert XDV module must be securely attached to the top of the computer cabinet or, alternatively, suspended above the cabinet. For mounting atop the computer cabinet, see the following figure. To hang the Liebert XDV above the computer cabinet, refer to [Suspended Mounting Method](#) on page 20. Be sure to follow all applicable codes.



WARNING! Risk of top-heavy cabinet and Liebert XDV assembly tipping over. Can cause equipment damage, injury or death.

A lightly loaded or improperly top loaded cabinet may result in a top heavy cabinet/Liebert XDV assembly after a Liebert XDV is mounted on it, causing the cabinet and Liebert XDV assembly to tip over.

Before beginning to place the Liebert XDV on the cabinet, ascertain whether the cabinet or rack requires additional stabilization; secure the cabinet to the floor if necessary to prevent tip-over.

Always use at least two persons to mount the Liebert XDV on top of a cabinet.

5.1 Mounting the Liebert XDV on Top of the Cabinet

The Liebert XDV may be installed on a computer cabinet by securing it with either the two included bolts, the two included clips or both the bolts and clips.

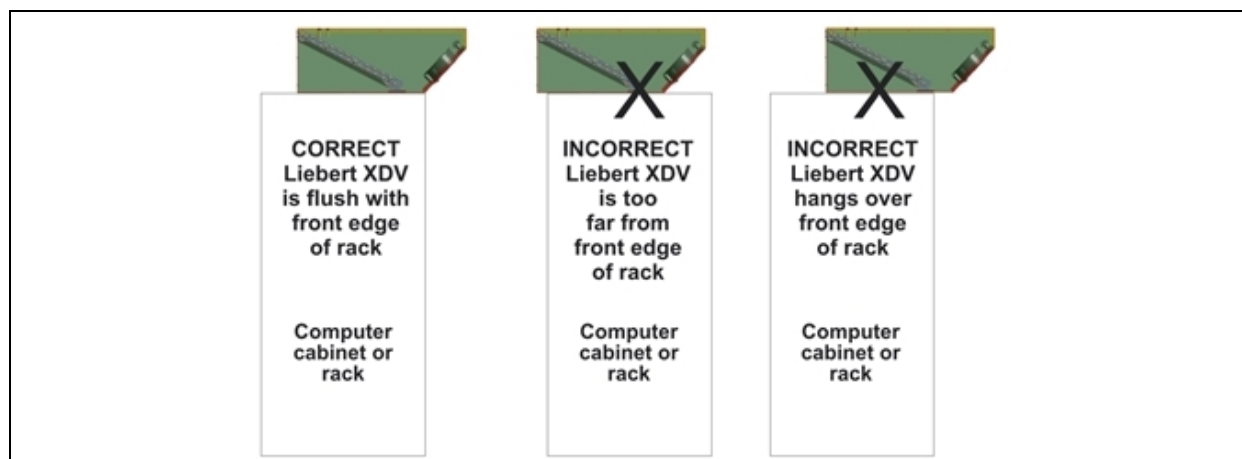
The Liebert XDV has mounting holes below the fans that match holes in the Liebert Foundation computer system cabinet. Other cabinets may require that holes be drilled to accommodate the bolts or the clips.

5.1.1 Bolting Liebert XDV to Top of Cabinet

To mount the Liebert XDV:

1. With at least one additional person, lift the Liebert XDV and set it down on top of the cabinet. The front edge of the Liebert XDV should be even with the front edge of the cabinet. See the following figure.

Figure 5.1 Positioning the Liebert XDV



2. If your cabinet has mounting holes matching those on the Liebert XDV, align the Liebert XDV properly and insert the bolts from the bottom of the cabinet and secure them to the factory-installed cage nuts (see the following figure). Tighten the bolts.

If your cabinet's mounting holes do not match those on the Liebert XDV, drill holes as required. To prevent metal shavings and particles from falling into the equipment in the cabinet or into the Liebert XDV, use a vacuum or other method to collect them while drilling the holes.

3. After drilling the holes, insert bolts from the bottom of the cabinet and secure them to the factory-installed cage nuts (see the following figure).
4. Tighten the bolts.

If also using mounting clips in conjunction with bolting method above, see [Using Supplied Clips for Mounting](#) on the facing page.

Figure 5.2 Mounting hole locations—standard mounting method

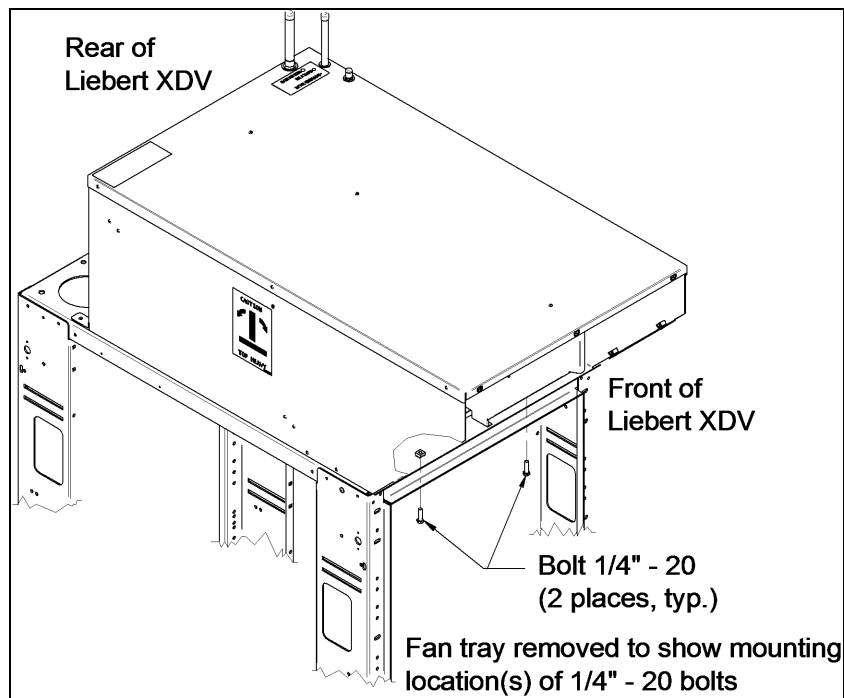
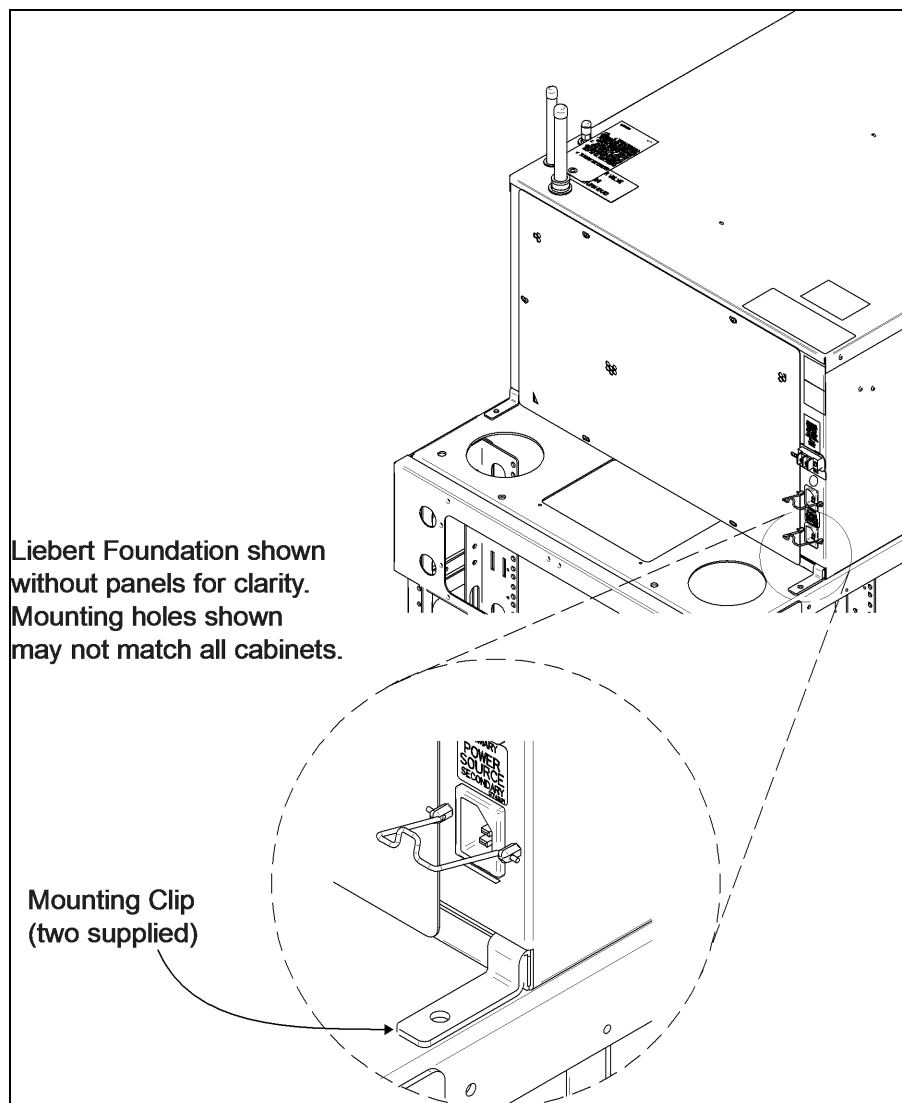


Figure 5.4 Mounting clip placement



5.2 Suspended Mounting Method

The Liebert XDV also may be mounted above the cabinet by suspending it either from overhead components or from field-supplied unistruts above the cabinets (see [Suspending the Liebert XDV from Unistruts](#) on the facing page and [Suspending the Liebert XDV from Overhead Structures](#) on page 22). An optional kit available from Vertiv will simplify mounting the Liebert XDV above the computer cabinet.

Each suspended-mounting method requires that the supporting components be strong enough to support the Liebert XDV's weight with coolant, 79 lb. (36kg). Each method also requires that the Liebert XDV's placement above the computer cabinet meets the criteria in [Positioning the Liebert XDV](#) on page 17.

To ensure efficient cooling, a baffle or similar object must be installed between the suspended Liebert XDV and the computer cabinet (see [Suspending the Liebert XDV from Overhead Structures](#) on page 22). The baffle's purpose is to prevent the Liebert XDV from drawing in the cooled air that it has just discharged.

Figure 5.5 Dimensions—optional external hanging brackets

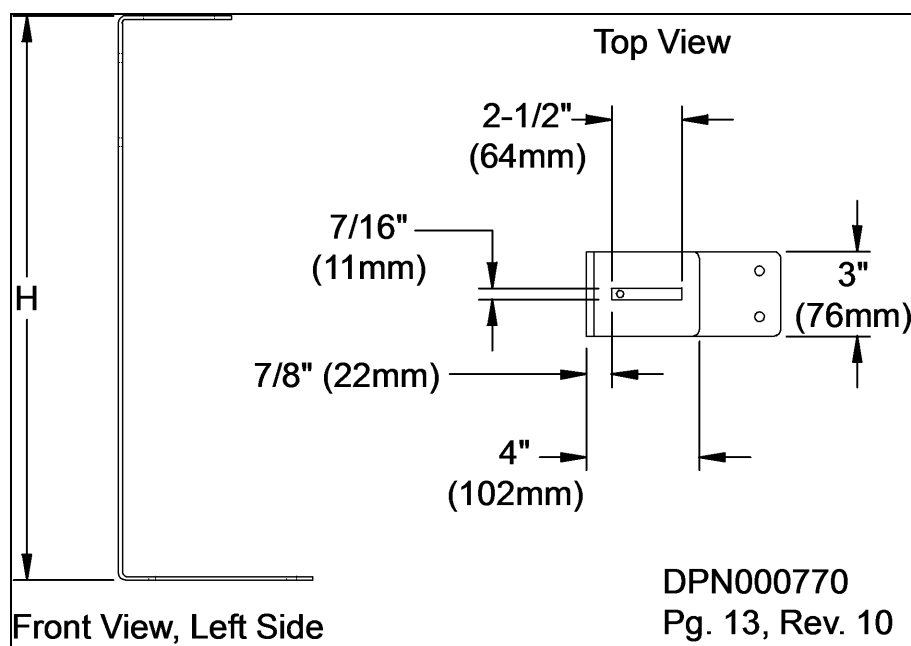


Table 5.1 Suspension hardware and bracket dimensional data

Bracket Kit Part #	Dimension H in (mm)	Liebert XDV Modules to be Suspended	Brackets in Kit
180427G1	20 (508)	1	4
180427G5		5	20
180427G11	34-5/16 (872)	1	4
180427G15		5	20
180427G22 *	18-11/16 (474)	2	8
	33 (838)		

* Bracket kit for double-stacked Liebert XDVs

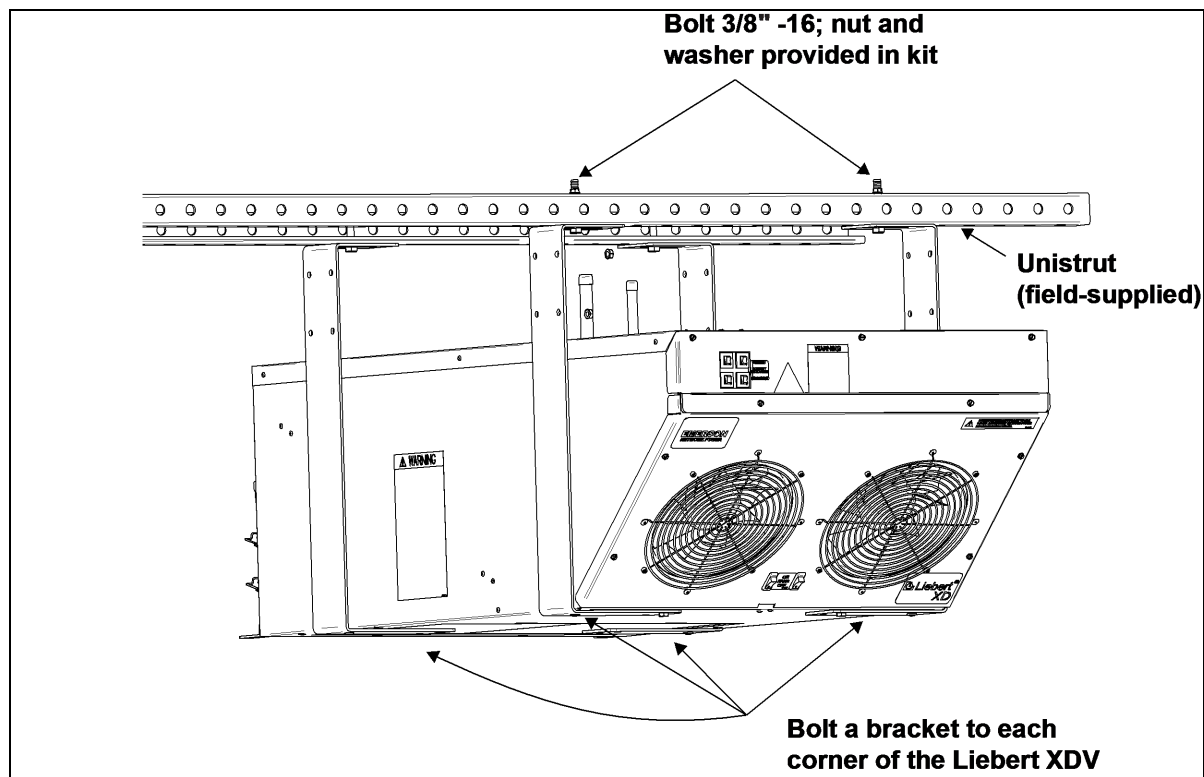
5.2.1 Suspending the Liebert XDV from Unistruts

The Liebert XDV may be bolted to customer-supplied unistruts. The height of the unistruts above the computer cabinet must be adequate to accommodate the combined height of the Liebert XDV and the baffle.

To suspend the Liebert XDV from a unistrut system:

1. Bolt the hangers to each corner of the Liebert XDV, inserting the Liebert-supplied bolts into factory-fabricated holes in the bottom of the Liebert XDV. See the following figure.
2. Tighten all bolts firmly, taking care not to overtighten the bolts.
3. Using a lifting mechanism, raise the Liebert XDV, with brackets attached, to the proper height and bolt the brackets to the unistruts.

Figure 5.6 Suspending Liebert XDV from unistruts

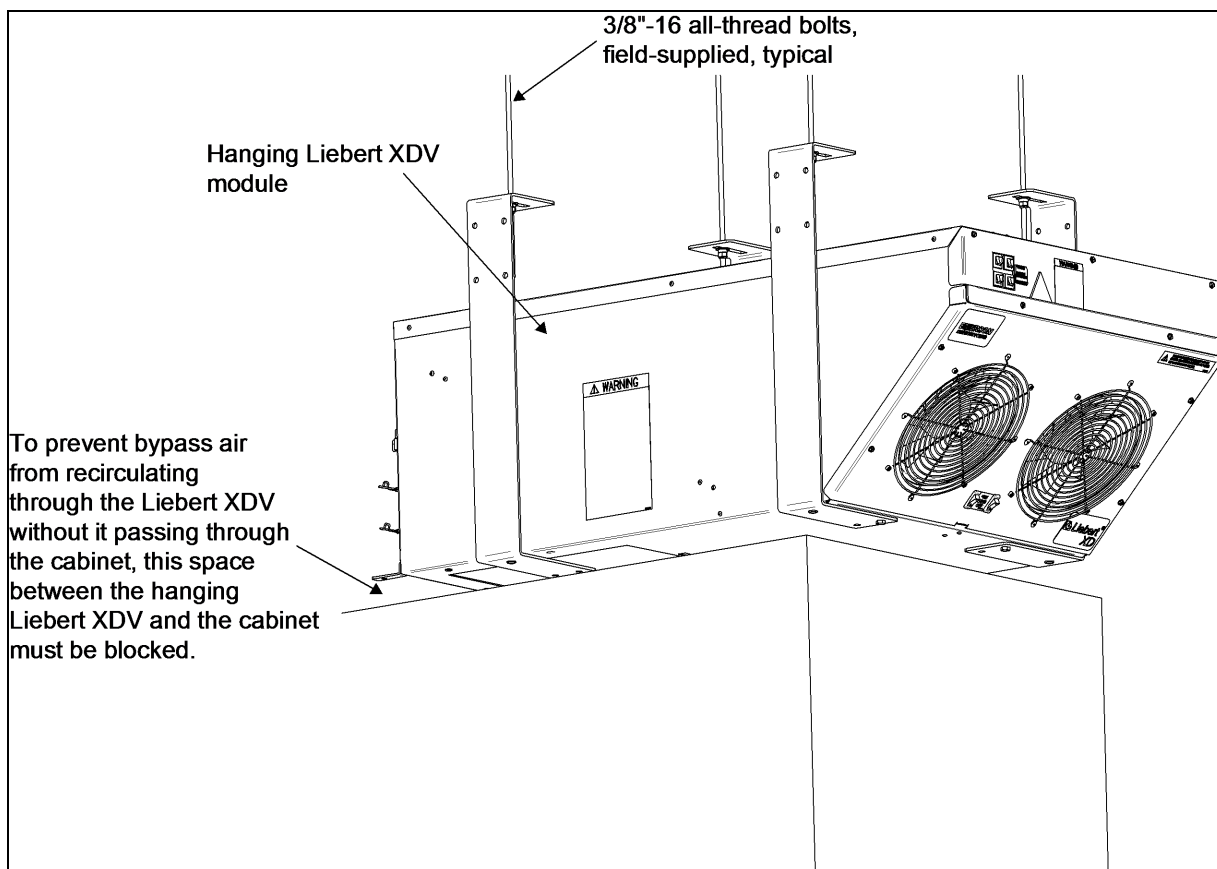


5.2.2 Suspending the Liebert XDV from Overhead Structures

To suspend the Liebert XDV from the overhead structure using the optional overhead mounting kit and field-supplied all-thread bolts:

1. Bolt the hangers to each corner of the Liebert XDV, inserting the Liebert-supplied bolts into factory-fabricated holes in the bottom of the Liebert XDV.
2. Tighten all bolts firmly, taking care not to overtighten the bolts.
3. Install the field-supplied all-thread bolts into the overhead structure, securing them to components so they will match the layout of the brackets
4. Using a lifting mechanism, raise the Liebert XDV inserting the all-thread bolts through the bolt holes in the brackets
5. Install field-supplied nuts and washers, on the all-thread bolts, placing them on the bolts at the level desired for hanging the Liebert XDV.
6. Again using field-supplied nuts and washers, secure the Liebert XDV to the all-thread bolts.
7. Tighten the nuts until the Liebert XDV is level and well-secured.

Figure 5.7 Suspending Liebert XDV from the overhead structure



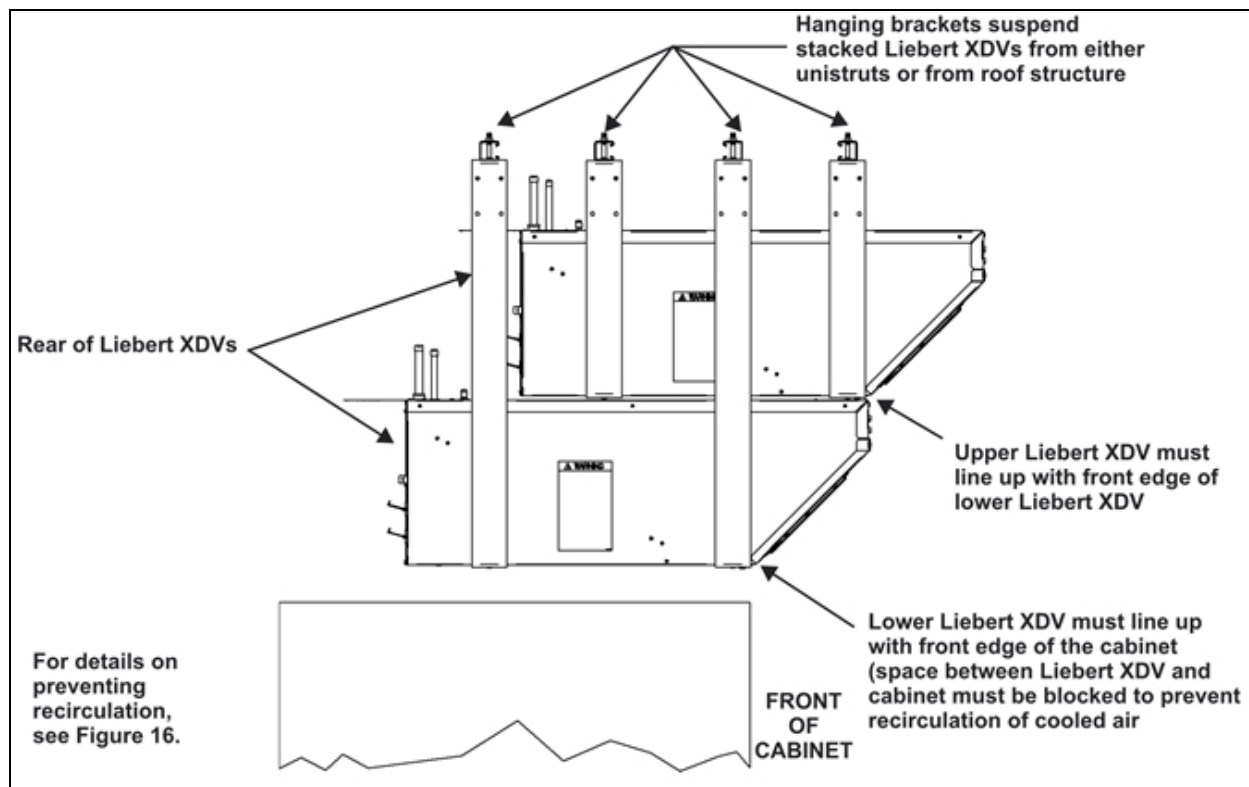
5.3 Mounting Liebert XDVs in Stacked Setup

Liebert designed the Liebert XDV to permit mounting the modules in a stacked arrangement to increase the system's heat-removal. Stacking may be done either during the original system or added later to an existing configuration.

Stacking Liebert XDVs is possible when suspending modules from either unistruts or from the overhead structure. Hanger brackets are available in two lengths to ease hanging Liebert XDVs in a stacked arrangement.

The upper Liebert XDV must be positioned forward of the front of its companion Liebert XDV for efficient heat removal (see the following figure).

Figure 5.8 Stacking configuration offset



5.3.1 Hanging Stacked Liebert XDVs from Unistruts

Because the upper Liebert XDV in a stacked arrangement must be positioned farther forward than the lower Liebert XDV, two sets of field-supplied unistruts are required. The second set of unistruts must be installed 9-7/8 inches (251mm) forward of the first set. This arrangement positions the stacked Liebert XDVs so that they meet the air-intake criteria shown in [Positioning the Liebert XDV](#) on page 17 and [Stacking configuration offset](#) above.

After installing the unistruts at the proper location, hang the Liebert XDVs as outlined in [Suspending the Liebert XDV from Unistruts](#) on page 21.

Figure 5.9 Attach hanger brackets to Liebert XDV for stacked arrangement

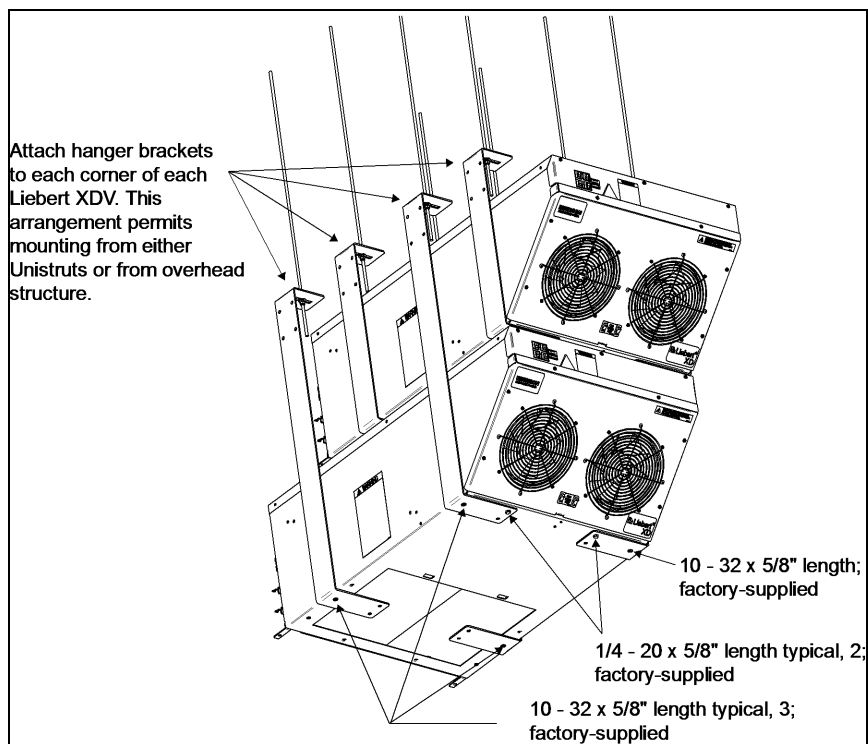
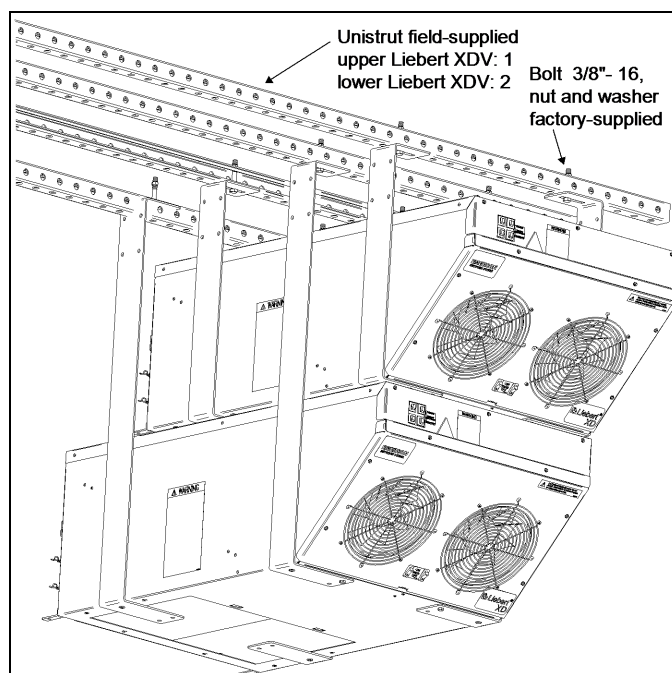


Figure 5.10 Stacked Liebert XDVs suspended from unistruts

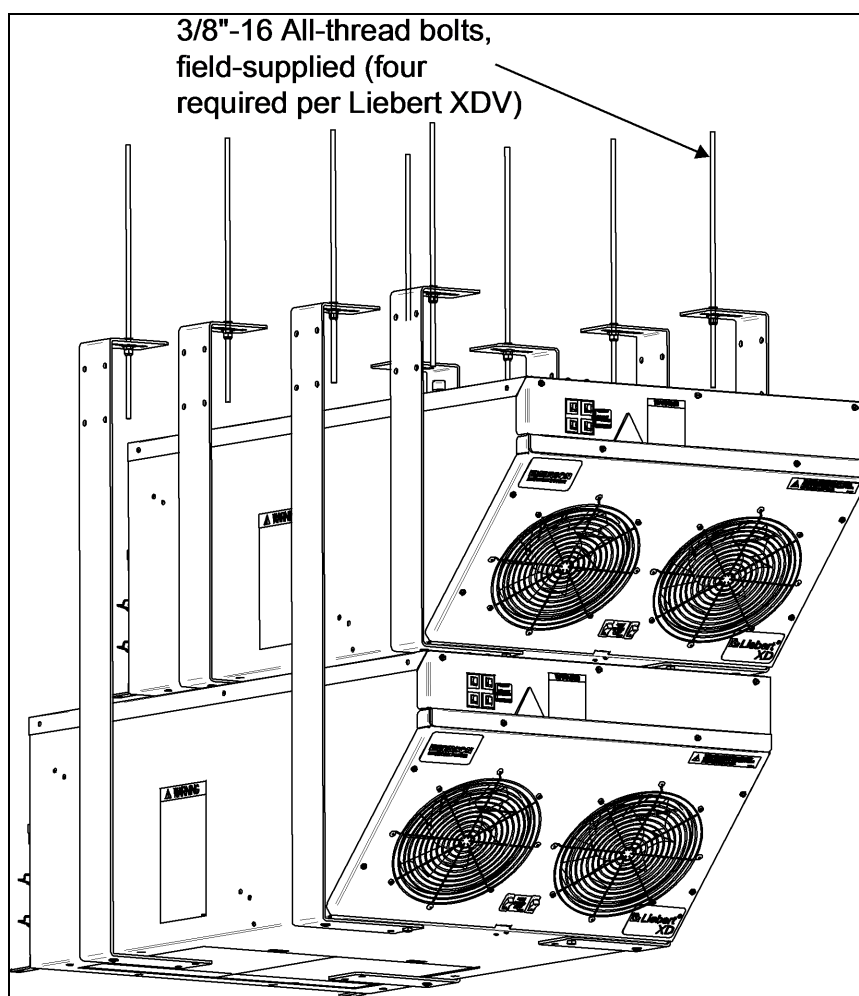


5.3.2 Hanging Stacked Liebert XDV from the Overhead Structure

Because the upper Liebert XDV in a stacked arrangement must be positioned farther forward than the lower Liebert XDV, the place where the hangers attach to the overhead structure must be offset accordingly. The second row of attachment locations must be 9-7/8 inches (251mm) forward of the first row of hanger mounting locations. This arrangement positions the stacked Liebert XDVs so that they meet the air-intake criteria shown in [Positioning the Liebert XDV](#) on page 17 and [Stacking configuration offset](#) on page 24.

After determining the proper for attachment to the overhead structure, hang the Liebert XDVs as outlined in [Suspending the Liebert XDV from Overhead Structures](#) on page 22.

Figure 5.11 Stacked Liebert XDVs ready for suspension from overhead structure



6 PIPING

Refer to site-specific drawings for general locations of the piping connections. These drawings should specify where the piping connects to the Liebert XDV.

6.1 European Union Fluorinated Greenhouse Gas Requirements

Stationary air conditioning, refrigeration, heat pump equipments and stationary fire protection systems in the European Community market and operating with fluorinated greenhouse gases (f-gas), such as R407C, R134a, R410A, must comply with the F-Gas Regulation: (EC) No. 842/2006 (F-gas). The regulation prohibits, among other actions, venting fluorinated greenhouse gases to the atmosphere.

The F-Gas Regulation requires operators to use all measures that are technically feasible and do not entail disproportionate cost to prevent leakage of these gases, to test for leakage regularly and to recover f-gas before disposing of equipment, as well as during service and maintenance.

Refer to the full regulation for additional details.

6.2 System Connection Configuration

If possible, connect the Liebert XDV modules to Liebert XDP™s or Liebert XDC™s in an interlaced configuration (see the following figure). In an interlaced configuration, half the cooling modules in an aisle are connected to one Liebert XDP or Liebert XDC and the other half in that aisle are connected to another Liebert XDP or Liebert XDC. Interlacing the connection piping will keep half the Liebert XDV modules operating and maintain even cooling in the conditioned space should one of the Liebert XDP or Liebert XDC units fail.

However, if this is not possible, connect the Liebert XDV modules in a non-interlaced configuration (see [Typical Liebert XDV piping—non-interlaced connection](#) on the next page).

Figure 6.1 Typical Liebert XDV piping—interlaced connections

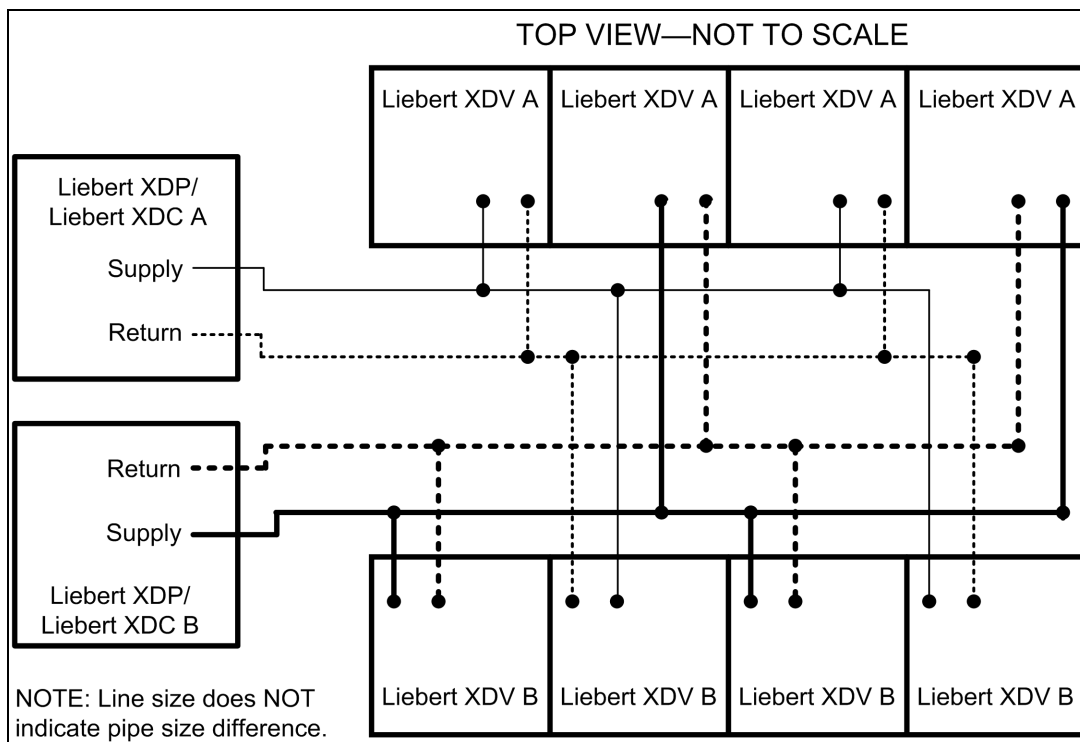
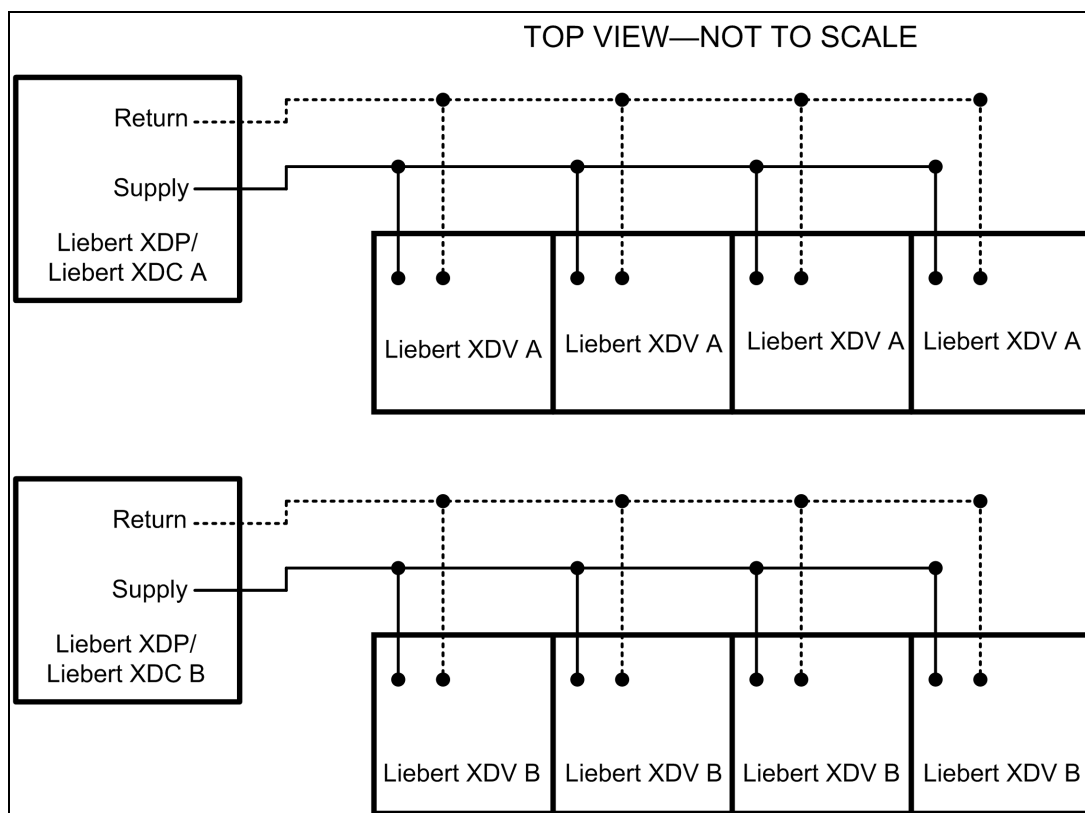


Figure 6.2 Typical Liebert XDV piping—non-interlaced connection



6.3 Connection Methods and Points

Refer to site-specific drawings for general locations of the piping connections. For Liebert XDV connection locations, refer to [Liebert XDV Component Locations and Model Number Nomenclature](#) on page 3 and the following figure.

The assembly and connection means used for piping in the Liebert XD™ system are the same as those used in conventional refrigeration systems. Observe all standard practices during installation and startup to prevent damage and contamination. All piping must be ASTM Type ACR copper pipe.

For hard-piped Liebert XDVs, the supply piping connection is 1/2" OD copper pipe, and the return piping connection is 5/8" OD copper. The Liebert XDVs will have copper caps soldered in place and a low-pressure nitrogen holding charge.

The hard-piped Liebert XDV has a low-pressure nitrogen holding charge.

For Liebert XDVs with the pre-charged option, both supply and return couplings are one-shot connections. These couplings contain pressurized R-134a refrigerant inside the Liebert XDV. The Liebert XD Flex Pipe with one-shot connections also contains pressurized R-134a refrigerant.

For Liebert XDVs with removable connections, the supply piping connection is 1/2" OD and the return piping connection is 5/8" OD. Both the Liebert XDV and the Liebert XD Flex Pipe with removable connections will have copper caps soldered in place and a low-pressure nitrogen holding charge.

6.4 Insulation

To minimize the possibility of condensation, insulate all piping between the Liebert XDV and the Liebert XDP™ or Liebert XDC™.

6.5 Venting the Holding Charge for Hard-Piped or Removable Liebert XD™ Flex Pipe Connections

The Liebert XDV in either hard-piped configuration or with removable couplings is shipped with a low-pressure holding charge (about 30 psi) of nitrogen to prevent oxidation and moisture. This must be vented before removing the caps on the ends of the supply and return piping.

NOTE: This procedure is for modules with hard-piped or removable couplings ONLY. Do not vent a pre-charged Liebert XDV or pre-charged Liebert XD Flex Piping.

To vent the holding charge:

1. Find the Schrader valve that contains the nitrogen holding charge in the Liebert XDV (see the following figure for hard-piped modules and see [Piping location and connection sizes—removable connections](#) on page 39).
2. Vent the holding charge in the circuit by depressing the pin in the Schrader valve.
3. Replace and secure the cap on the Schrader valve that was opened.

Figure 6.3 Piping location and connection sizes—hard-piped modules

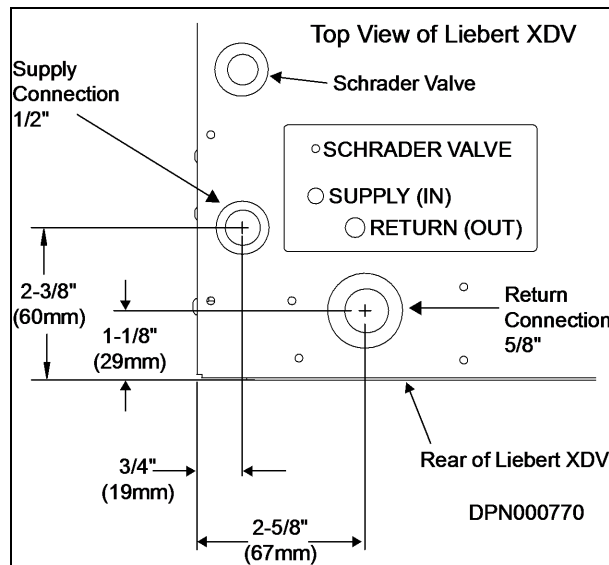
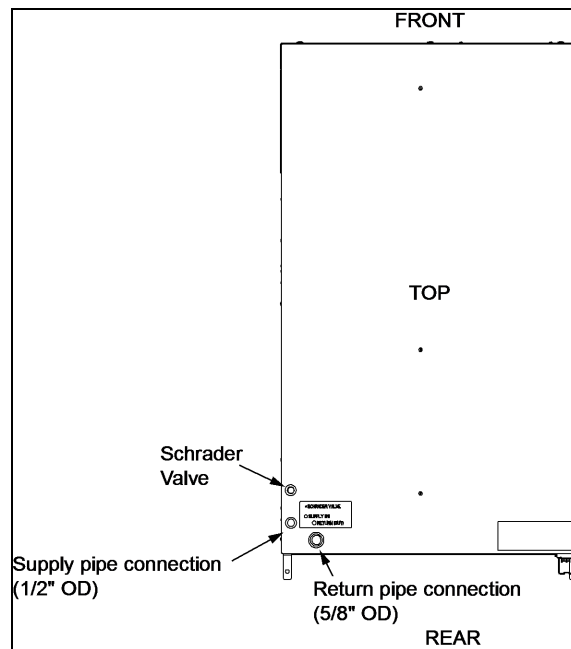


Figure 6.4 Schrader valve location for venting holding charge



6.6 Brazing Preparations

The assembly and connection means used for piping in the Liebert XD™ system are similar to those used for conventional refrigeration systems. All piping should be installed with high-temperature brazed joints. Soft soldering is not recommended.

After the holding charge has been vented and before brazing, wrap a wet rag around the copper connections before removing the caps to prevent internal component damage. A torch can be used to remove the caps over the ends of the supply and return lines.

During brazing, the lines must be filled with flowing dry nitrogen to prevent excessive oxidation and scale formation inside the piping. Prevailing good refrigeration practices must be employed for piping supports, leak testing, dehydration and charging. Failure to use good system practices may result in damage to the system. Refer to the ASHRAE refrigeration handbook for general good-practice refrigeration piping.

6.7 Recommended Piping Size

NOTICE

Risk of oversized piping. Can require the use of excess refrigerant.

To minimize the amount of refrigerant required, do NOT oversize the piping.

Connect the main pipes between the Liebert XDV branch piping and the Liebert XDP™ or Liebert XDC™ according to the following table. Elbows and restrictions must be minimized to ensure good fluid flow.

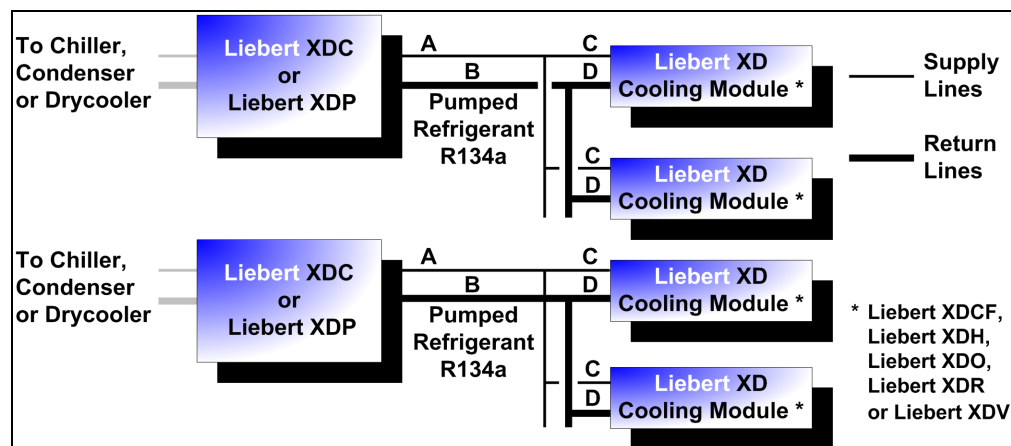
See the following table for recommended pipe sizes and the following figure for piping segment locations.

Table 6.1 Branch piping sizes for refrigerant loop

Pipe Function	Key to Piping in the following figure	Size / Equivalent Pipe Length
Supply Main from Liebert XDP/Liebert XDC to farthest Liebert XDV	A	1-1/8" OD (1.025" ID) for lengths up to 60 feet (18m)
		1-3/8" OD (1.265" ID) for lengths over 60 but less than 175 feet (18 to 53m)
Return Main from the farthest Liebert XDV to the Liebert XDP/Liebert XDC	B	2-1/8" OD (1.985" ID) for lengths up to 60 feet (18m)
		2-5/8" OD (2.465" ID) for lengths over 60 but less than 175 feet (18 to 53m)
Supply Line Drop From the Supply Main to the Liebert XDV	C	1/2" OD (0.430" ID) for lengths up to 10 feet (3m)
		5/8" OD (0.545" ID) for lengths over 10 feet (3m) but less than 35 feet (1.8-10.6m)
Return Line Drop from the Liebert XDV to the Return Main	D	5/8" OD (0.545" ID) for lengths up to 10 feet (3m)
		7/8" OD (0.785" ID) for lengths over 10 feet (3m) but less than 35 feet (1.8-10.6m)

See [Hard-piped connection diagram](#) on page 33 for piping recommendations for hard-piping between the Liebert XDV and the header system.

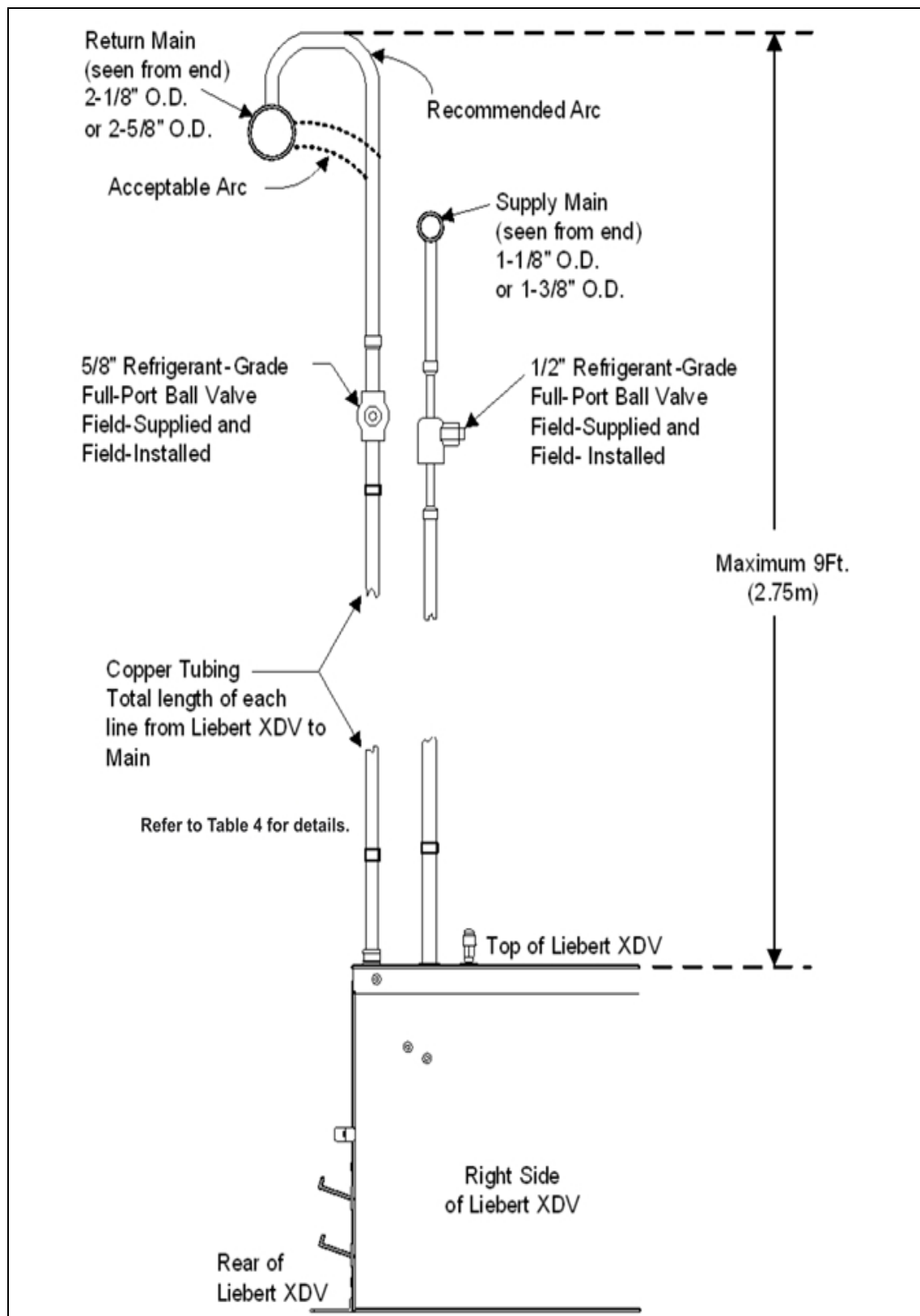
Figure 6.5 Generic piping layout



6.8 Hard-Piped Connection Sizes

Supply piping connection is 1/2" OD copper pipe and return piping connection is 5/8" OD copper. Liebert XDVs that are intended for hard-piped configurations will have copper caps soldered in place and a holding charge of nitrogen.

Figure 6.6 Hard-piped connection diagram



6.9 Liebert XD™ Piping Slope

The main supply and return lines to and from the XDP/XDC must be sloped downward toward the Liebert XDP™/XDC™ at a rate of 1-2" per 20 feet (25-51mm per 6m) of pipe run. Horizontal connector lines should also be sloped downward from the cooling modules toward the main supply and return lines.

6.10 Piping Details - Shutoff / Isolation Valves

To allow for fluid isolation of each Liebert XDV module, install a full port isolation valve (field-supplied) on each branch circuit, see [Hard-piped connection diagram](#) on the previous page, site-specific documentation, Liebert Xtreme Density System Design Manual, SL-16655, and documentation for other parts of the system.

6.11 Leak Checking and Evacuation

Refer to the Liebert XDC or Liebert XDP user manual for procedures for evacuation, leak check, charging and startup.

6.12 Header System

The Liebert XDV module system with optional flexible piping requires use of the Liebert XD prefabricated piping assembly. The prefabricated piping is compatible with the Liebert XD Flex Pipe required to attach to the Liebert XDV modules. For the details on piping connection locations, see [Piping location and connection sizes—hard-piped modules](#) on page 30, [Piping location and connection sizes—pre-charged modules with one-shot connections](#) on page 36 and [Piping location and connection sizes—removable connections](#) on page 39.

For additional information, refer to the Liebert Xtreme Density System Design Manual, SL-16655, available at www.VertivCo.com.

6.13 Field Installation of Liebert XD™ Flex Pipe Kit on Liebert XDV

If you are not performing a service installation or a field-retrofit, skip this section and proceed with the instructions in [Connection Methods—One-Shot Connections for Pre-Charged Refrigerant Option](#) on the facing page.

Liebert XD Flex Pipe kits are available in lengths of 4, 6, 8 and 10 feet (1.2, 1.8, 2.4 and 3 meters). Connection style to the module end may be straight or 90 degrees with one-shot or removable couplings.

Connection to the prefab piping assembly is a threaded coupling. For data on acquiring the correct kit for your installation, see [Liebert XD™ Flex Pipe one-shot assemblies, supply and return](#) on page 79.

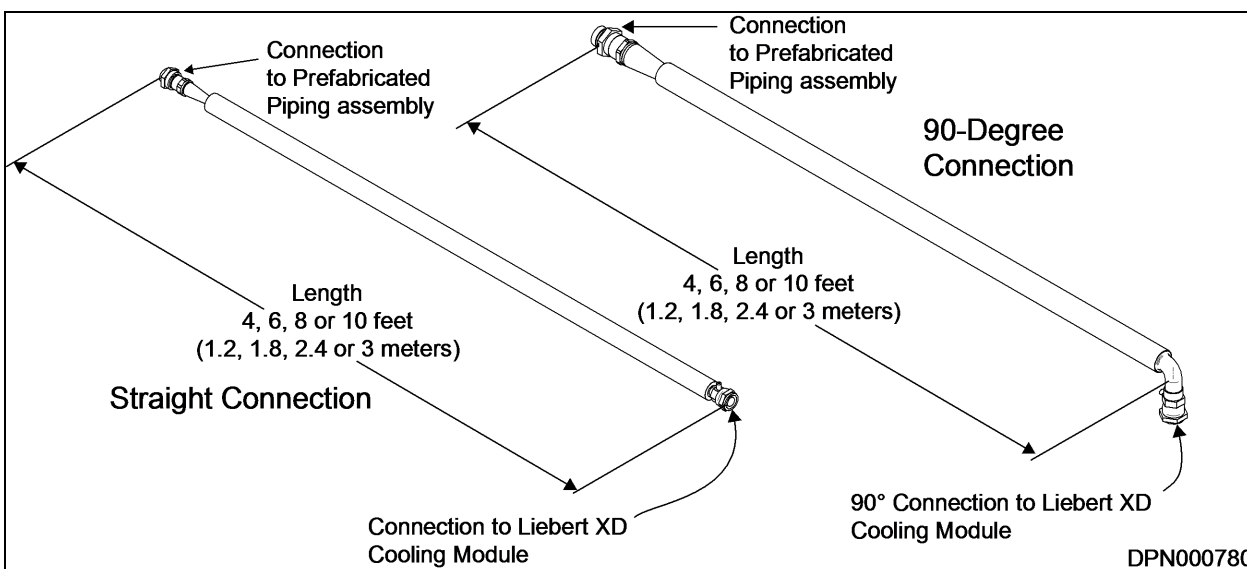
The Liebert XD Flex Pipe should be connected to the Liebert XD module, then to the header system to ease installation and prevent twisting the Liebert XD Flex Pipe.

NOTICE

Risk of kinked Liebert XDV Flex Pipes. Can cause permanent damage and leaks in the Liebert XDV Flex Pipes.

Do not fold or bend pipe tightly.

Figure 6.7 Liebert XD Flex Pipe dimensions—straight and 90-degree connections



6.13.1 Connection Methods—One-Shot Connections for Pre-Charged Refrigerant Option



CAUTION: Risk of sudden refrigerant discharge. Can cause injury and loss of charge.

If the optional pre-charged option is chosen, the Liebert XDV is shipped with a full charge of R-134a refrigerant under pressure. Do not remove the pipe caps or plugs before the module is ready for connection to Liebert XD™ Piping.

Supply and return couplings on the pre-charged Liebert XDV are one-shot connections. Do not disconnect one-shot connections after they have been connected. Disconnection will release pressurized R-134a refrigerant from the Liebert XDV.

Do not remove the pipe caps or plugs before the module is ready for connection to the Liebert XD Flex Pipe. The Liebert XDVs with the pre-charged option are equipped with one-shot couplings. The module and the Liebert XD Flex Pipe contain a charge of R-134a refrigerant under pressure. This charge must not be vented.

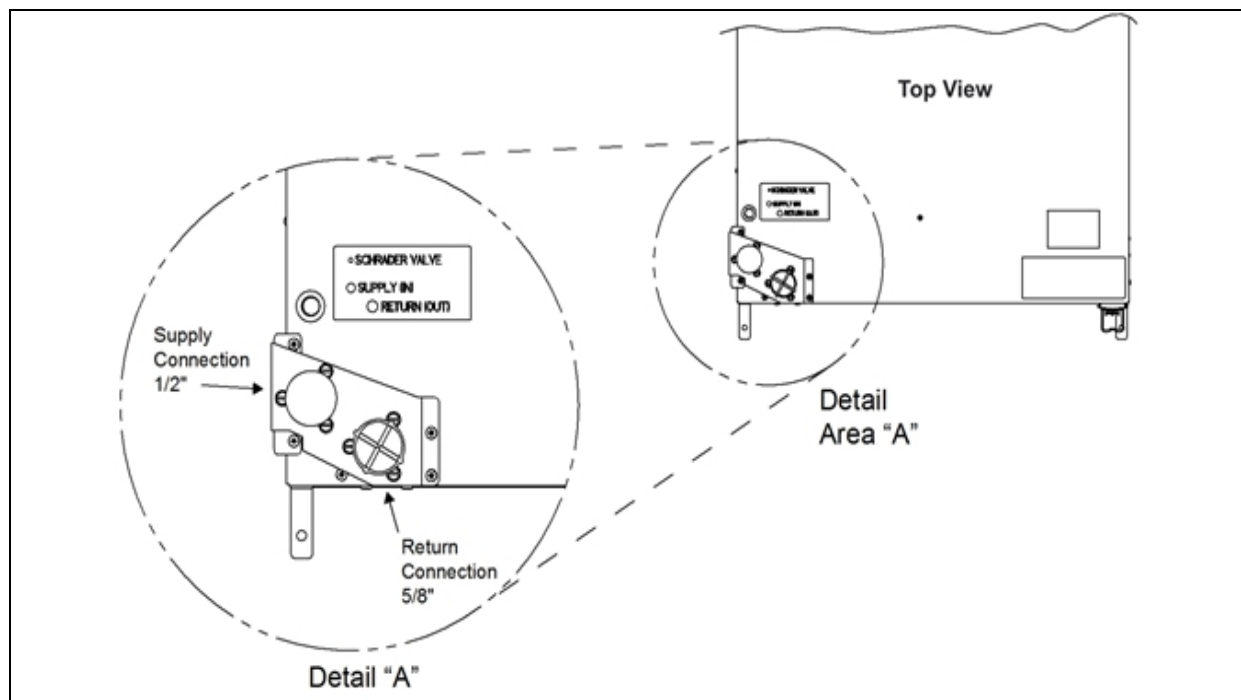
Do not disconnect the one-shot Liebert XD Flex Pipes after they have been connected to the module.

The assembly and connection means used for piping in the Liebert XD system are the same as those used in conventional refrigeration systems. Observe all standard practices during installation and startup to prevent damage and contamination.

If the module includes the optional, factory-installed, one-shot style connections, proceed with [Field Installation of Liebert XD™ Flex Pipe Kit on Liebert XDV](#) on the previous page and see the following figure.

If the module does not include Liebert XD Flex Pipes, refer to [Venting the Holding Charge for Hard-Piped or Removable Liebert XD™ Flex Pipe Connections](#) on page 29.

Figure 6.8 Piping location and connection sizes—pre-charged modules with one-shot connections



6.13.2 Connect a Liebert XDV with One-Shot Couplings to Liebert XD™ Flex Pipe

NOTICE

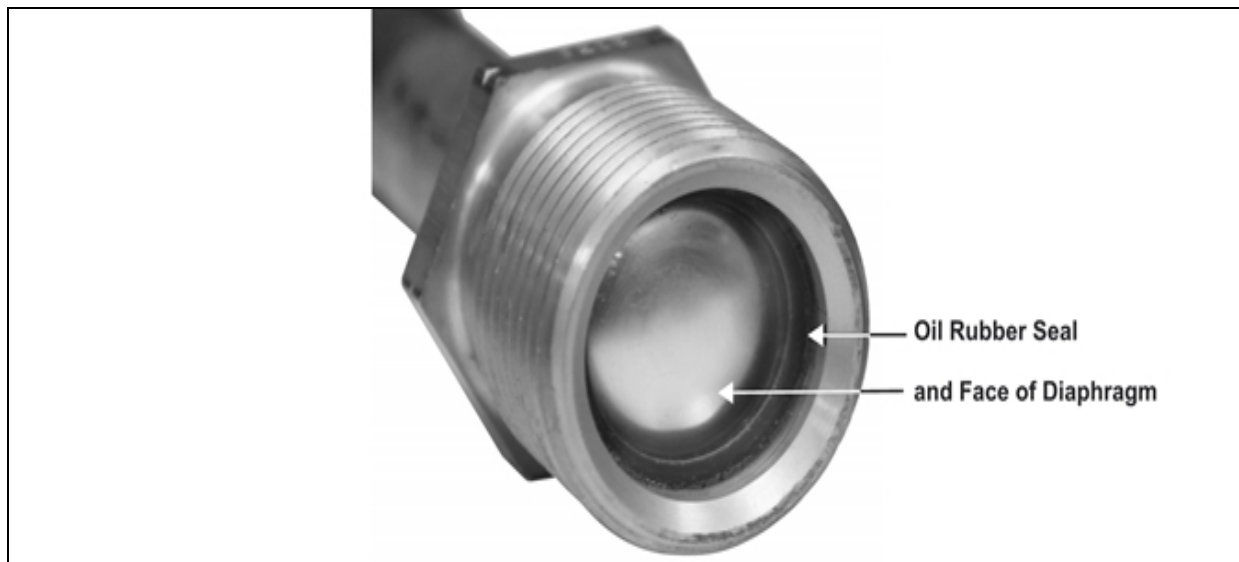
Risk of improper reuse of Liebert XD Flex Pipes with one-shot couplings. Can cause refrigerant leaks.

Liebert XD Flex Pipes with one-shot couplings must not be removed from the Liebert XDV unless they are being replaced with new Liebert XD Flex Pipes with one-shot couplings. Do not reuse Liebert XD Flex Pipes with one-shot couplings. Reuse may result in refrigerant leaks.

Tools Required

- Two adjustable wrenches with a maximum adjustment size of 2 inches
 - One torque wrench, half-inch drive (see the following table for sizes)
 - Refrigerant oil
1. Check the Liebert XD Flex Pipe for proper length.
 2. Remove the protector cap and plug from the connections and carefully wipe the couplings and threaded surfaces clean.
 3. Use a small applicator brush saturated with refrigerant oil to lubricate the entire surface of the diaphragm and the O-ring. Refer to the following figure.

Figure 6.9 Male coupling on Liebert XD cooling module



If refrigerant oil is not used, an alternate lubricant for this application is a refrigerant-compatible silicone grease product, such as Dow Corning DC200/60,000 cst.

4. Thread the coupling halves together by hand to ensure that the threads mate properly. Ensure that the Schrader valve is oriented so that it is accessible for service.

Figure 6.10 Female one-shot coupling Liebert XD Flex Pipe: Schrader valve location

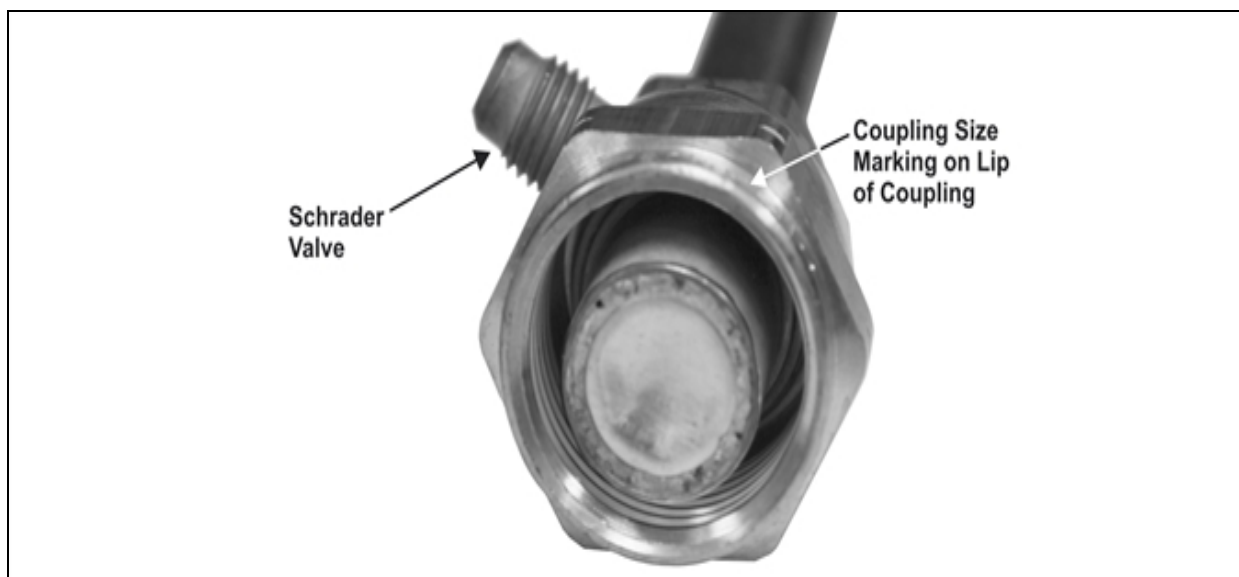
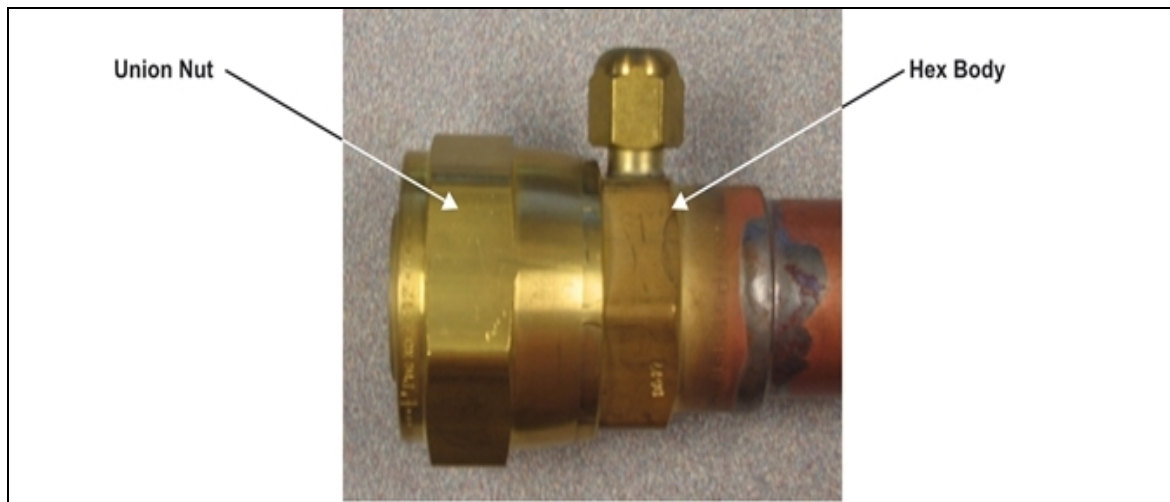


Figure 6.11 Hex body, union nut on one-shot coupling



NOTICE

Risk of improper tightening. Can cause equipment damage.

It is imperative that the brass body on the Liebert XD™ Flex Pipe coupling does not rotate while the union nut is being tightened. If the brass body rotates, it may damage the Liebert XD Flex Pipe.

5. Hold the brass body of the Liebert XD Flex Pipe with a wrench so that it does not rotate and use the torque wrench to tighten the union nut to the proper value shown in the following table.

Table 6.2 Torque and wrench size for connecting Liebert XDV with one-shot couplings to Liebert XD Flex Pipe

Coupling Size	Wrench Sizes, in. (mm)	Torque, Union Nut Only, ft-lb (Nm)
	Union Nut	
#10 (Supply)	1-5/16 (34)	35-45 (47.5-61.0)
#11 (Supply)	1-5/6 (47)	35-45 (47.5-61.0)
#12 (Return)	1-3/8 (35)	50-60 (67.8-88.1)

If a torque wrench is not available, continue with the steps below.

6. Tighten the union nut on the Liebert XD Flex Pipe to the coupling on the module with the proper-sized wrench until a definite resistance is felt, metal-to-metal contact.
7. Use a marker or pen to draw a line lengthwise across the module coupling to the Liebert XD Flex Pipe. The line should parallel the Liebert XD Flex Pipe.
8. Tighten the nuts an additional one wrench flat (60°), judging the amount by the mark drawn in Step 7.

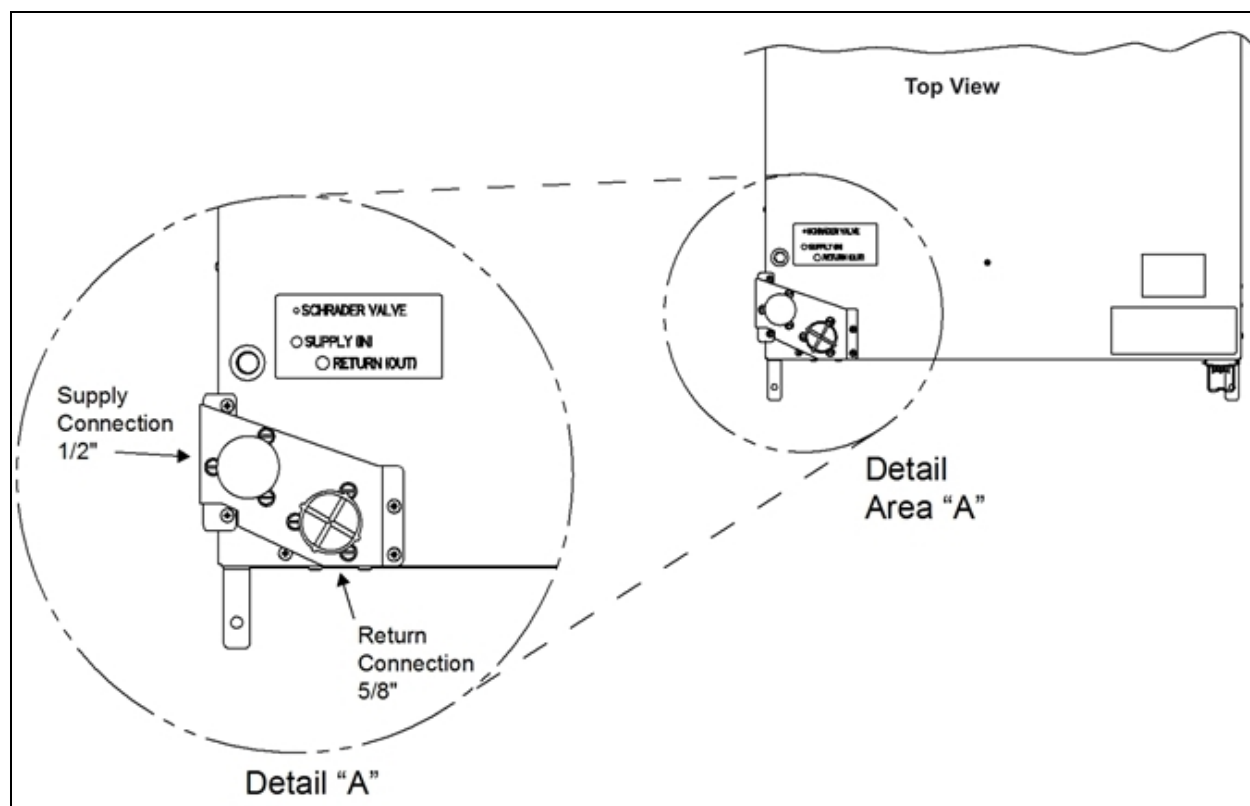
6.13.3 Connection Methods—Removable Couplings

The assembly and connection means used for piping in the Liebert XD™ system are the same as those used in conventional refrigeration systems. Observe all standard practices during installation and startup to prevent damage and contamination.

Both supply and return couplings may be supplied with optional, removable connections.

If the module includes the optional, factory-installed, removable connections, proceed with [Field Installation of Liebert XD™ Flex Pipe Kit on Liebert XDV](#) on page 34 and see [Piping location and connection sizes—pre-charged modules with one-shot connections](#) on page 36.

Figure 6.12 Piping location and connection sizes—removable connections



6.13.4 Connect Liebert XD™ Flex Pipe with Removable Coupling to a Liebert XD Cooling Module

Tools Required

- One adjustable wrench with a maximum adjustment size of 2 inches
 - One torque wrench, half-inch drive (see the following table for sizes)
1. Check the Liebert XD Flex Pipe for proper length.
 2. Remove the protector plugs from the Liebert XD Flex Pipe.
 3. Remove the protector cap from the couplings on the module.
 4. Wipe the couplings and threaded surfaces clean of particles and other foreign substances.
 5. Verify the O-ring is in place on the module coupling.

Should additional O-rings be required, refer to the following table.

6. Place the Liebert XD Flex Pipe assembly so that the flat face of the flange on the Liebert XD Flex Pipe coupling comes into contact with the O-ring on the module coupling.
7. Thread the coupling halves together by hand to ensure that the threads mate properly.

Table 6.3 Torque and wrench sizes for connecting Liebert XD Flex Pipe to the Liebert XDV with removable couplings

Coupling Size	Wrench Size, in. (mm)	Torque, Union Nut Only, ft-lb (Nm)
	Union Nut	
1/2"	15/16 (24)	40 (55)
5/8"	1-1/8 (29)	60 (80)
1"	1-5/8 (41)	110 (150)

If a torque wrench is not available, continue with the steps below.

8. Hold the Liebert XD Flex Pipe so that it does not rotate and use the torque wrench to tighten the union nut to the proper value shown in the previous table.
9. Tighten the union nut on the Liebert XD Flex Pipe to the coupling on the module with the adjustable wrench until a definite resistance is felt.
10. Use a marker or pen to draw a line lengthwise across the module coupling to the Liebert XD Flex Pipe. The line should parallel the Liebert XD Flex Pipe.
11. Tighten the nuts an additional quarter-turn, judging the amount by the mark drawn in Step 10.

Figure 6.13 Removable couplings

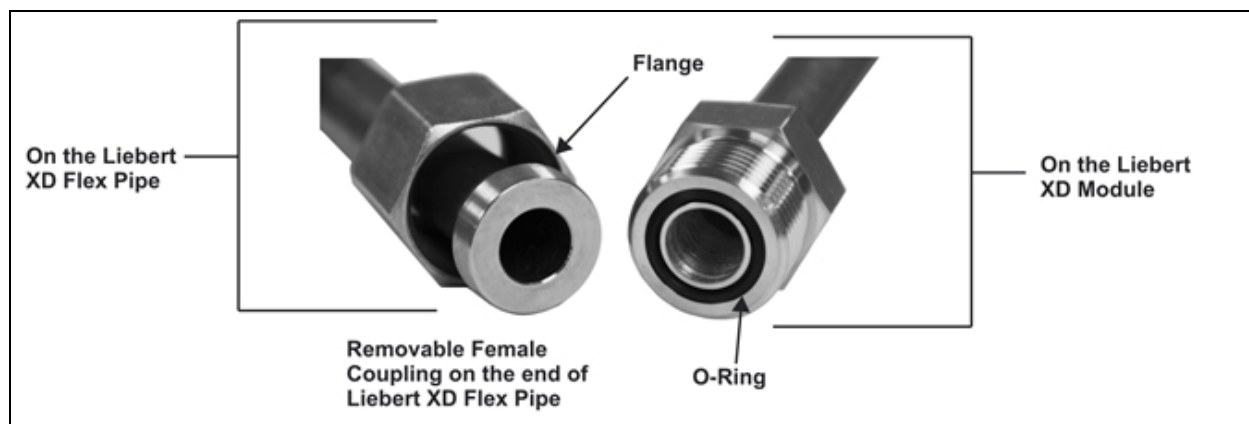


Table 6.4 O-ring part number

Liebert Part #	Size, in.	Socket Part #
185225P1	1/2	185223P1
185225P2	5/8	185223P2
185225P4	7/8	185223P4

6.13.5 Connect a Liebert XDV with Liebert XD™ Flex Pipe to a Liebert XD System

NOTICE

Risk of refrigerant loss. Can cause environmental pollution and equipment malfunction.

Before connecting the Liebert XDV with Liebert XD Flex Pipe to the prefabricated piping mains, check the whole system for leaks.

Check the Liebert XDV to ensure that the module has no refrigerant leaks.

Read all instructions before beginning installation.

Tools Required

- One adjustable wrench with a maximum adjustment size of 2 inches
- One torque wrench, half-inch drive
- Crowsfoot (supplied with Liebert XDP™ and Liebert XDC™)
- Liebert XDP or Liebert XDC user manual

NOTE: This operation requires two or more people.

1. Determine the port location of the supply and return piping overhead.
2. Make sure the service valve for each port is closed.
3. Skip this step if **reconnecting** Liebert XD Flex Pipes with one-shot connections. Remove caps from only the required ports. Do not remove caps from the unused ports.
4. Remove the pipe plugs that are supplied on the Liebert XD Flex Pipe.
5. Inspect both halves of the couplings and remove any foreign contamination from the sealing surfaces and threads before connecting the couplings.
6. Determine the coupling size by locating the number scribed on the Liebert XD Flex Pipe coupling. See the following figure.

Figure 6.14 Coupling size indicator

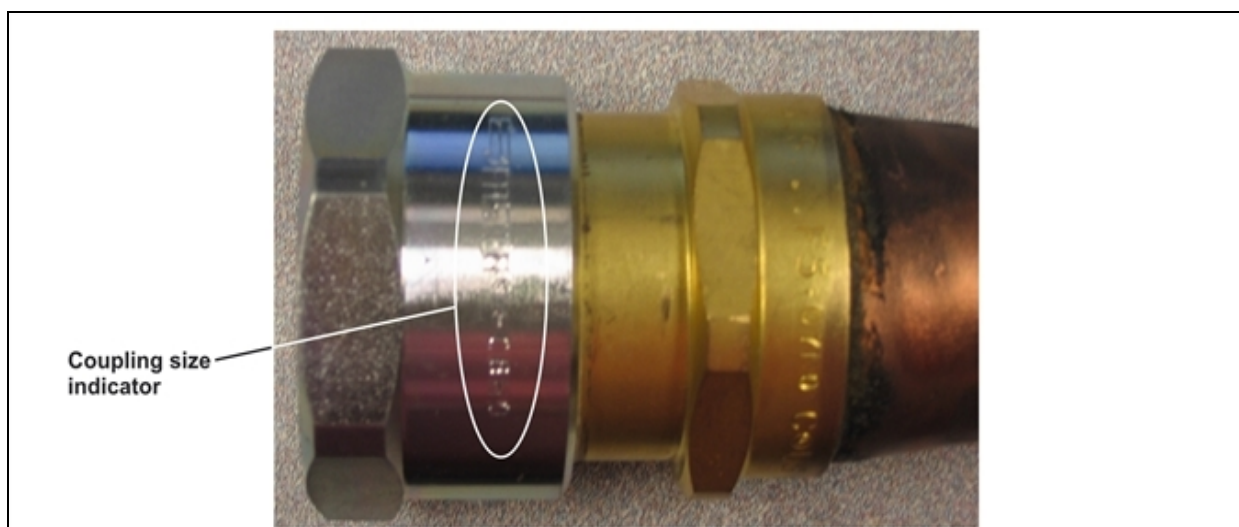
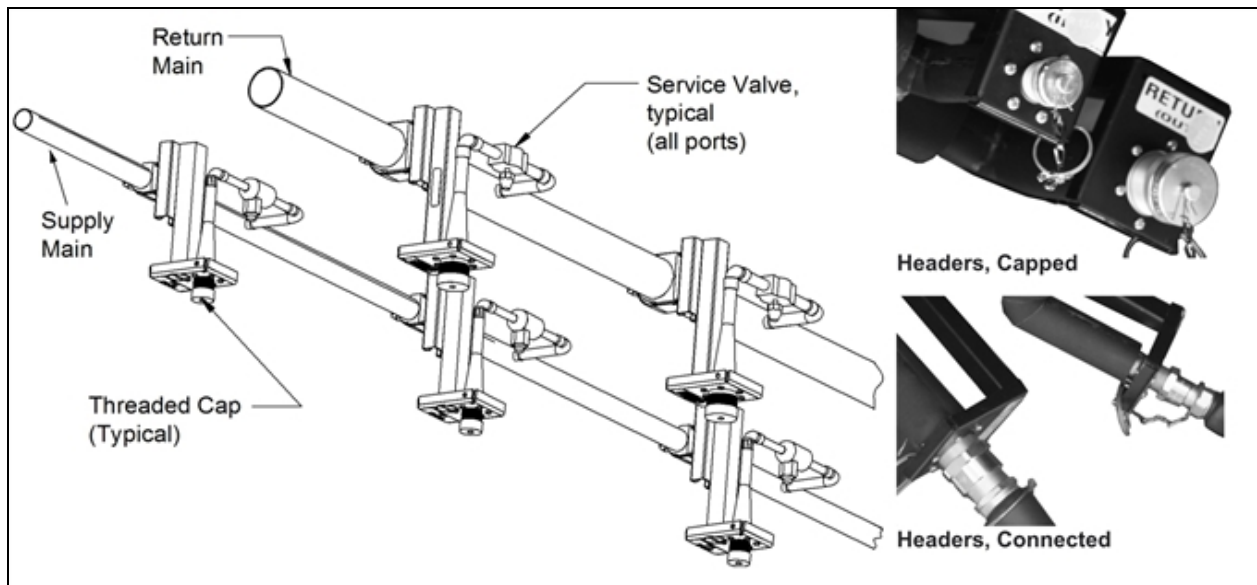
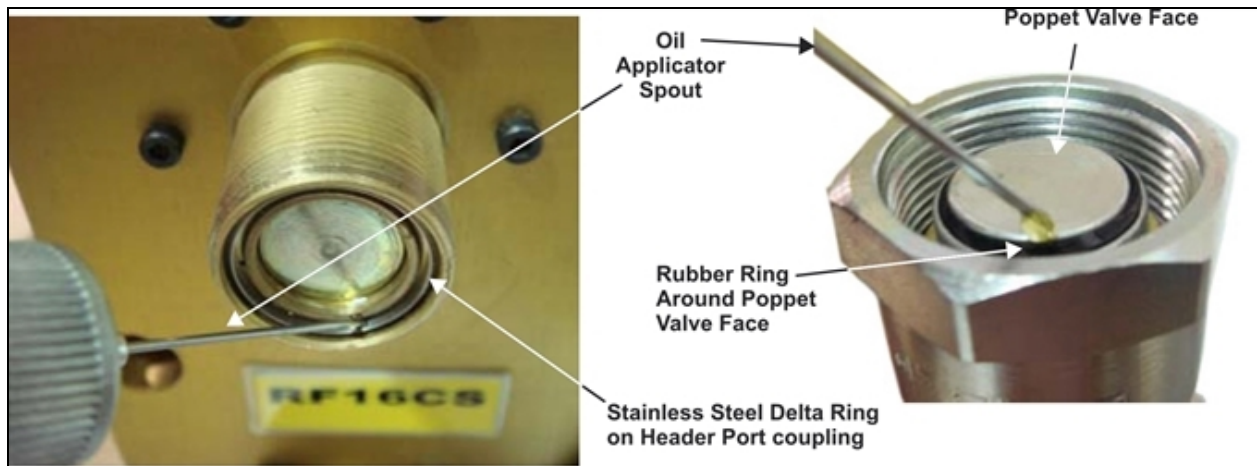


Figure 6.15 Liebert XD™ prefabricated piping assembly



7. Use mineral oil or polyol ester oil to lubricate the face of the poppet valve and the seal around the poppet valve on the female coupling (on the Liebert XD Flex Pipe) (see the following figure).
8. Apply mineral oil or polyol ester oil to the stainless steel delta ring on the male coupling (header port coupling) (see the following figure).

Figure 6.16 Oil rings on header and Liebert XD Flex Pipe couplings



9. Thread the union nut of the Liebert XD Flex Pipe coupling onto the port coupling to ensure the threads mate properly.
10. Using the wrench arrangement shown in the following figure, torque the couplings to the values in the following table.

NOTICE

Risk of kinked Liebert XD Flex Pipes. Can cause permanent damage and leaks in the Liebert XD Flex Pipes.

It is imperative that the brass body of the Liebert XD Flex Pipe coupling does not rotate while the couplings are being tightened. Failing to do so may damage the female coupling.

Do not fold or bend pipe tightly.

Table 6.5 Torque for connecting Liebert XD™ Flex Pipe to prefabricated piping

Coupling Size	Crowsfoot Size, in. (mm)	Torque, ft-lb (Nm)
1/2"	1-3/16 (30)	25.8 (30-35)
3/4"	1-5/8 (41)	48.0 (60-65)
1"	1-31/32 (50)	62.7 (80-85)

Figure 6.17 Wrench arrangement for tightening coupling

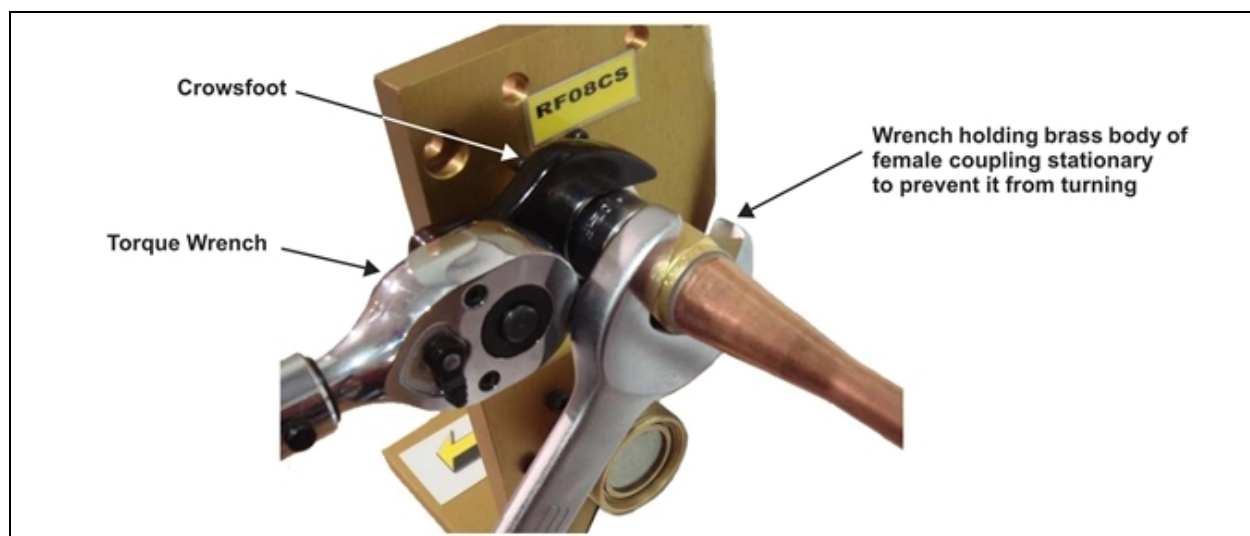
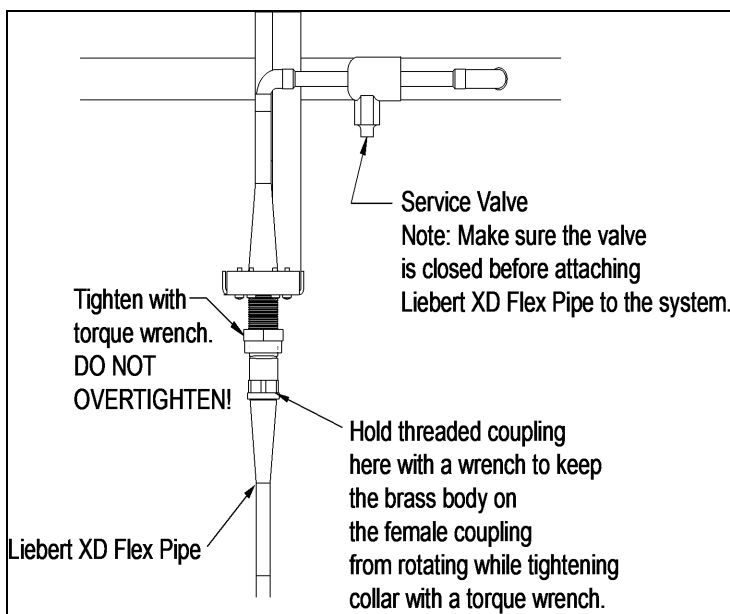


Figure 6.18 Detail view of Liebert XD Flex Pipe and prefabricated piping port



11. Repeat 3 through on page 41 for the remaining Liebert XD Flex Pipe.
12. Once the supply and return connections are completed, check to make sure the Liebert XDV fan power switches are Off, then connect the power cords to their power sources.
13. Turn the fan switches On. Ensure that the fans operate.
14. Proceed with the following Step a, b or c, depending on your installation:

a. For a non-operational Liebert XD™ system and Liebert XDVs NOT pre-charged:

1. Open the return service valve first, then open the supply service valve.
2. Refer to the Liebert XDC™ or Liebert XDP™ user manual for procedures for evacuation, leak check, charging and startup.
3. With the Liebert XDV fans operating, cool air is discharged from the Liebert XDV.

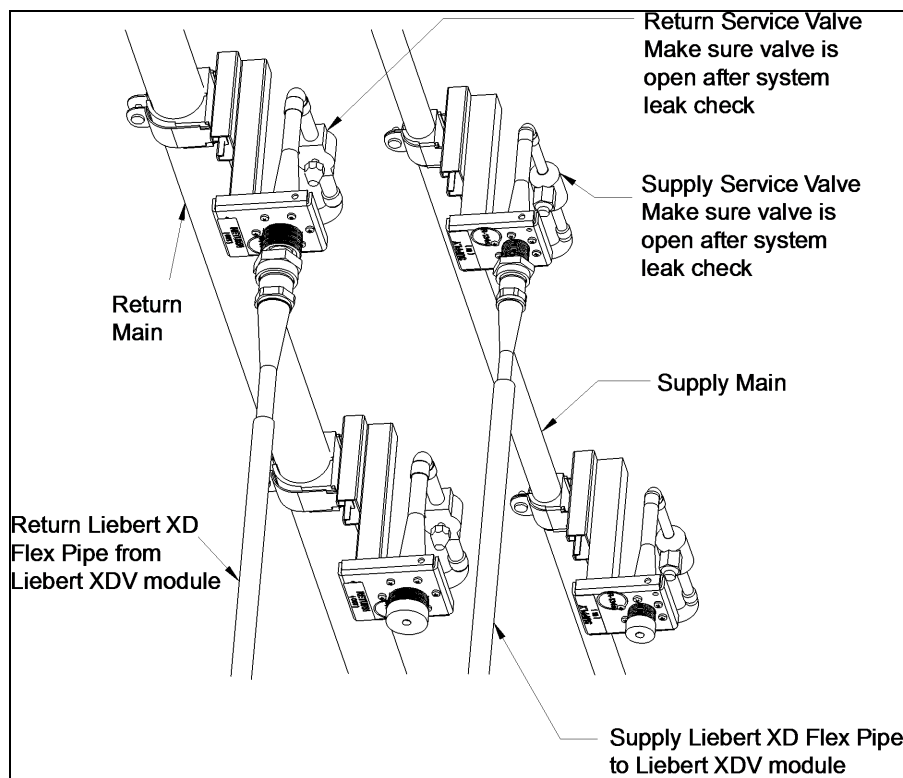
b. For a non-operational Liebert XD system and Liebert XDVs pre-charged:

1. Refer to the Liebert XDC or Liebert XDP user manual for procedures for evacuation, leak check, charging and startup.
2. With the Liebert XDV fans operating, open the return service valve first, then open the supply service valve. Cool air is discharged from the Liebert XDV.

c. For an operational Liebert XD system and Liebert XDVs pre-charged:

1. Open the return service valve.
2. Open the supply service valve.
3. With the Liebert XDV fans operating, cool air is discharged from the Liebert XDV.

Figure 6.19 Liebert XD system with prefabricated piping assembly and Liebert XD Flex Pipe



6.13.6 Disconnect a Liebert XD™ Flex Pipe from a Liebert XD System



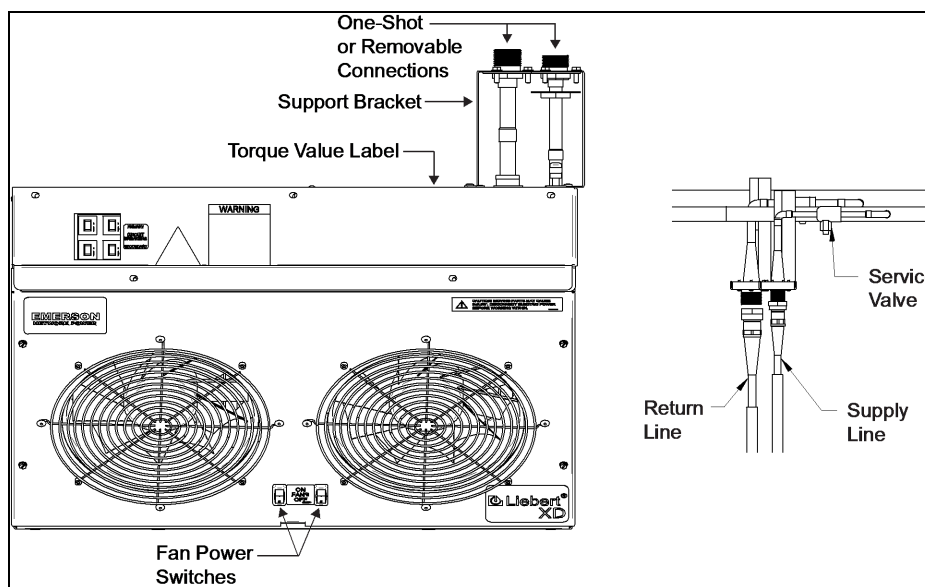
CAUTION: Risk of sudden discharge of pressurized refrigerant. Can cause equipment damage or injury.

Do not disconnect threaded refrigerant couplings at the module end without relieving system pressure. Reclaim any refrigerant during removal of module from system.

Tools Required

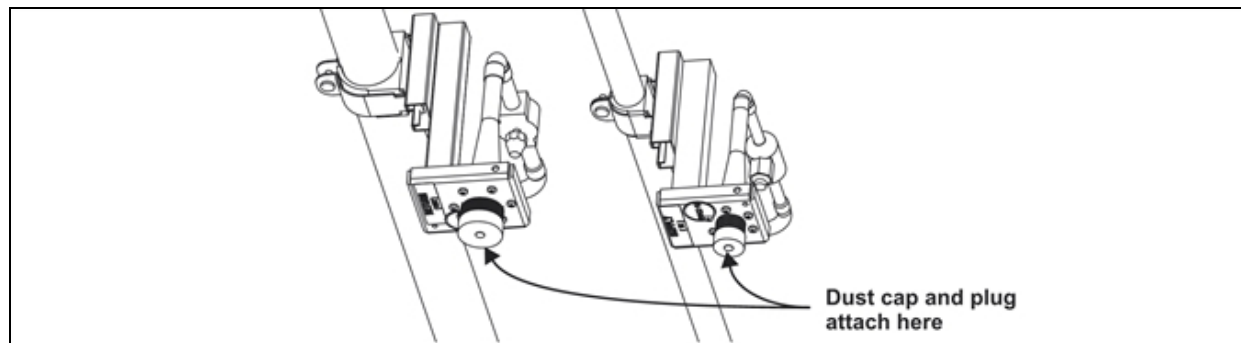
- Two adjustable wrenches with a maximum adjustment size of 2 inches
1. Ensure the Liebert XDV fan switches are both On and the fans are operational.
 2. Close the service valve in the supply line to the Liebert XDV.
 3. With the Liebert XDV fans running, wait two minutes for the refrigerant to flow out of the module.
 4. Close the service valve in the return line to the Liebert XDV.
 5. Turn the fan power switches to the Off position. Once the fan switches are turned Off, unplug the power cords from their power source. See [Electrical Connections](#) on page 49 for details.
 6. Loosen the Liebert XD Flex Pipe coupling from the header port coupling. This requires an adjustable wrench. Refer to [Connect a Liebert XDV with Liebert XD™ Flex Pipe to a Liebert XD System](#) on page 41. The Liebert XD Flex Pipe coupling must be held stationary while the union nut on the coupling is loosened.
 7. Disconnect the coupling.

Figure 6.20 Profile view of the Liebert XD system with Liebert XD Flex Pipe connections



8. Place the protective dust cap on the port.
9. Place the protective plug back on the Liebert XD Flex Pipe.
10. Repeat Steps 6 through 9 for the remaining Liebert XD Flex Pipe.

Figure 6.21 Piping mains without Liebert XDV and Liebert XD Flex Pipe



6.13.7 Disconnecting the Liebert XD™ Flex Pipe from the Liebert XDV

NOTICE

Risk of improper reuse of Liebert XD Flex Pipes with one-shot connections. Can cause refrigerant leaks.

Liebert XD Flex Pipes with one-shot connections must not be removed from the Liebert XDV unless they are being replaced with Liebert XD Flex Pipes with one-shot couplings. Do not reuse Liebert XD Flex Pipes with one-shot connections. Reuse may result in refrigerant leaks.

Tools Required

- Two adjustable wrenches with a maximum adjustment size of 2 inches
1. Reclaim the refrigerant in the Liebert XD Flex Pipe and in the module by attaching a refrigerant reclaim device to the Schrader valve. For help finding the Schrader valve, see [Piping location and connection sizes—pre-charged modules with one-shot connections](#) on page 36 and [Piping location and connection sizes—removable connections](#) on page 39.
 2. Hold the Liebert XD Flex Pipe so it does not rotate.

For the Liebert XD Flex Pipe with one-shot couplings, additionally, hold the brass body of the coupling so it does not rotate while loosening the couplings. Failing to do so may cause damage.
 3. Loosen the Liebert XD Flex Pipe coupling from the module with a wrench.
 4. Replace the dust plug on the Liebert XD Flex Pipe.
 5. Replace the dust cap on the Liebert XD module.
 6. Lay the Liebert XD Flex Pipe with removable couplings aside where it will not be damaged. Discard or recycle the one-shot Liebert XD Flex Pipes.

NOTICE

Risk of kinked Liebert XDV Flex Pipes. Can cause permanent damage and leaks in the Liebert XDV Flex Pipes.

Do not fold or bend pipe tightly.

6.13.8 Removing the Liebert XDV from a Cabinet

NOTICE

Risk of permanent damage to the Liebert XD Flex Pipes. Do not fold or bend pipe tightly.

Tools Required

- Lift Mechanism
1. Unbolt the Liebert XDV from the cabinet or hanging bracket, if applicable.
 2. With the help of another person, use the lift mechanism to lower the Liebert XDV from the cabinet or hanging bracket onto a stable surface.

This page intentionally left blank.

7 ELECTRICAL CONNECTIONS

The module must be installed in accordance with national wiring regulations. Refer to the module's serial tag for electrical requirements. Refer to [Specifications](#) on page 77 for details.

Replacement of any wiring or supply cord must be performed only by the manufacturer, the manufacturer's service agent or a similarly qualified person.

7.1 Connecting High-Voltage Cables to Liebert XDV



WARNING! Risk of electric shock. Can cause injury or death.

Disconnect all local and remote electric power before working within the module

Connect IEC power cords to each receptacle on the Liebert XDV and to power sources. If only one power source is available, then only the power connection labeled "SECONDARY" should be connected to the power source. See [Electrical connections for CSA-approved Liebert XDV smart modules](#) on page 52 and [Electrical connections for CE-approved Liebert XDV smart modules](#) on page 53 for location of power connections.

Figure 7.1 Electrical connections for CSA-approved Liebert XDV basic modules

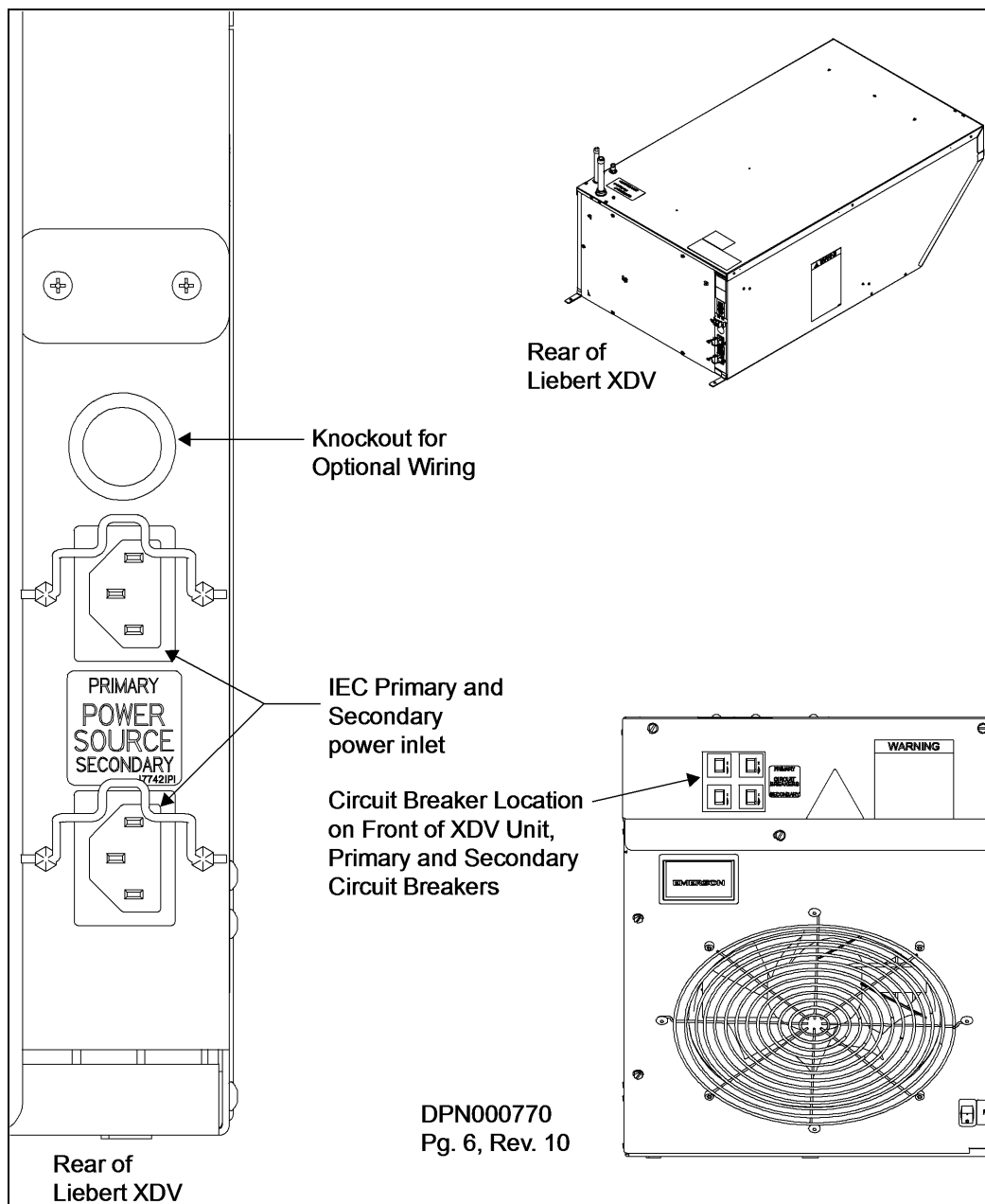


Figure 7.2 Electrical connections for CE-approved Liebert XDV basic modules

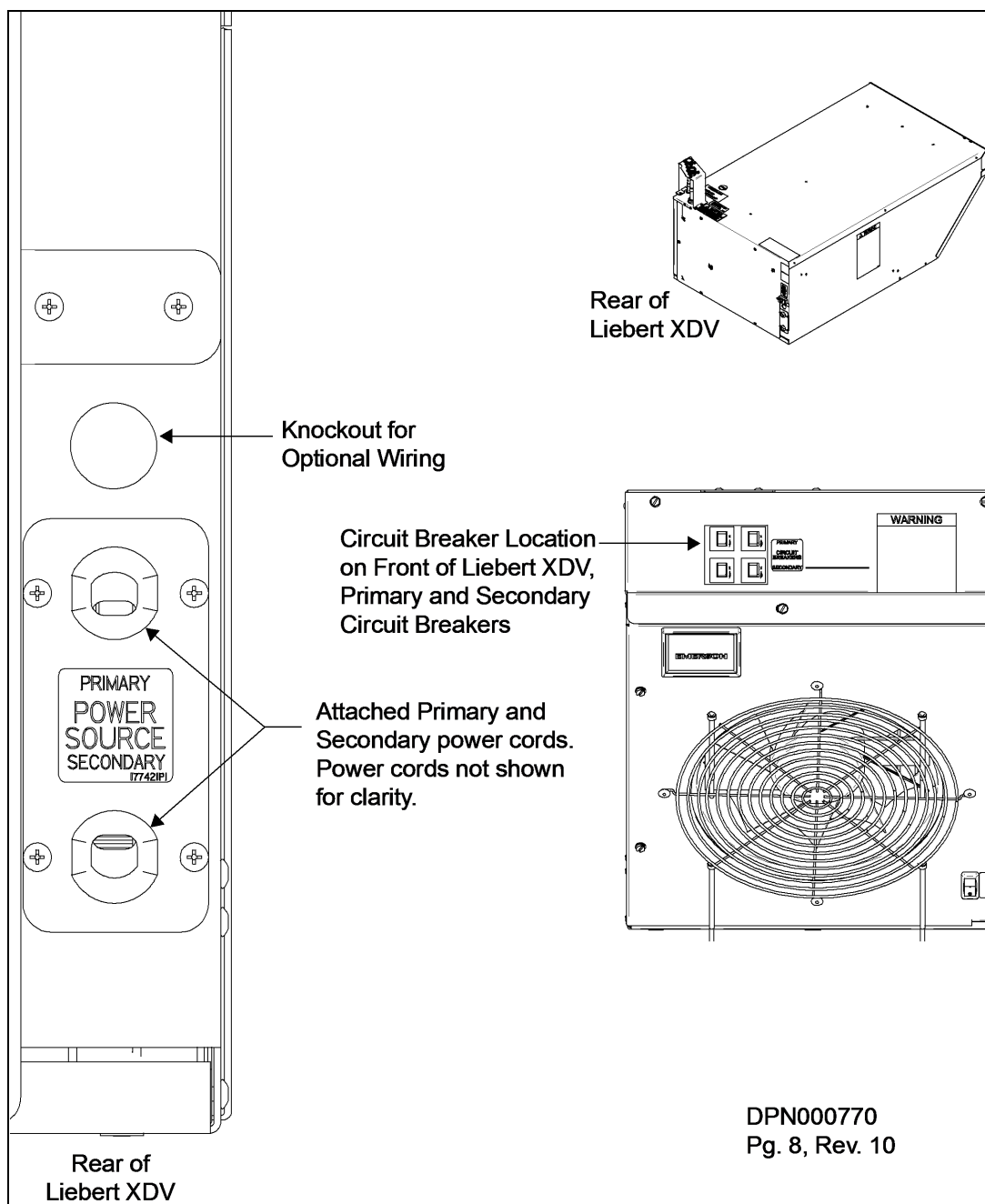


Figure 7.3 Electrical connections for CSA-approved Liebert XDV smart modules

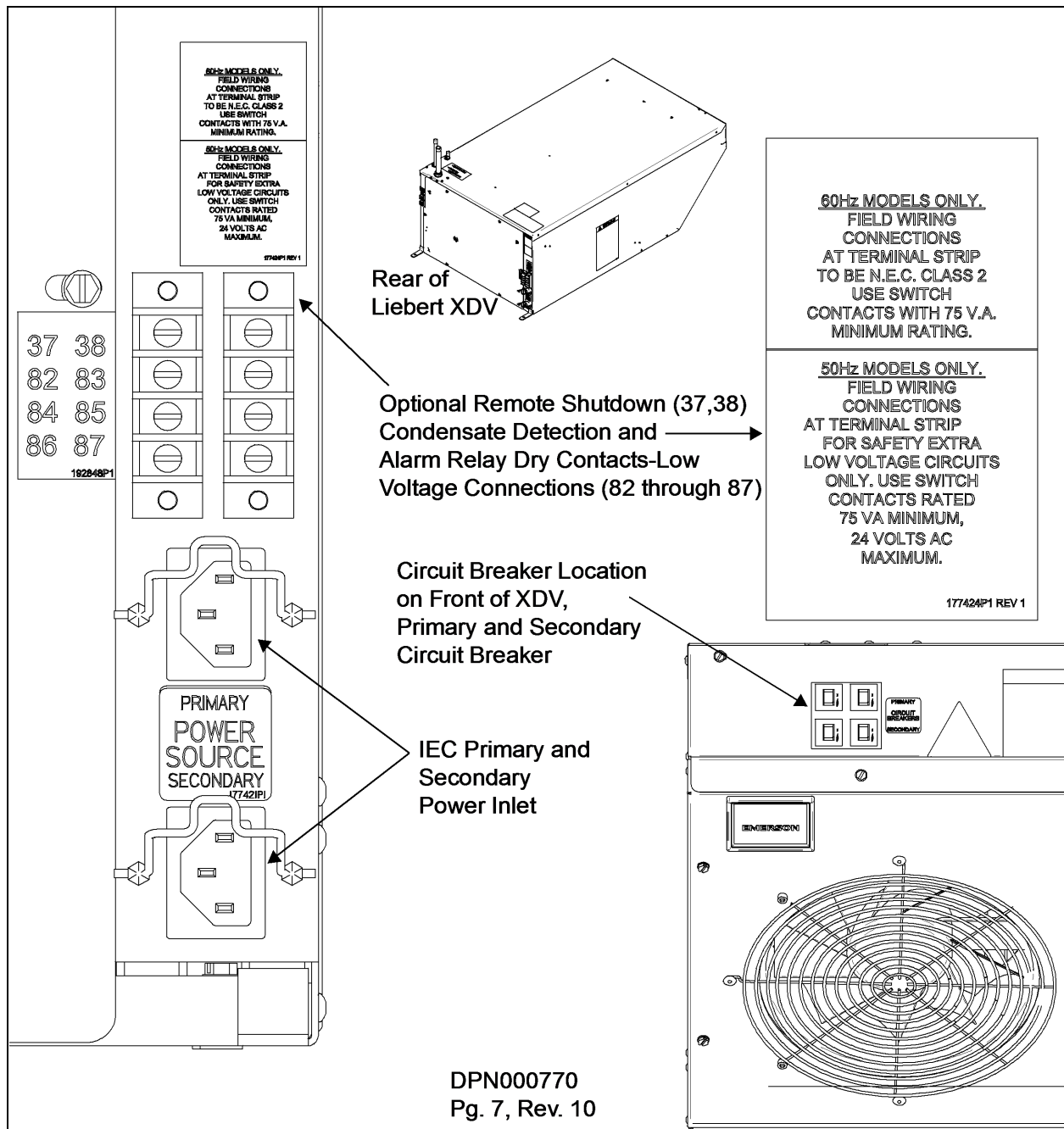
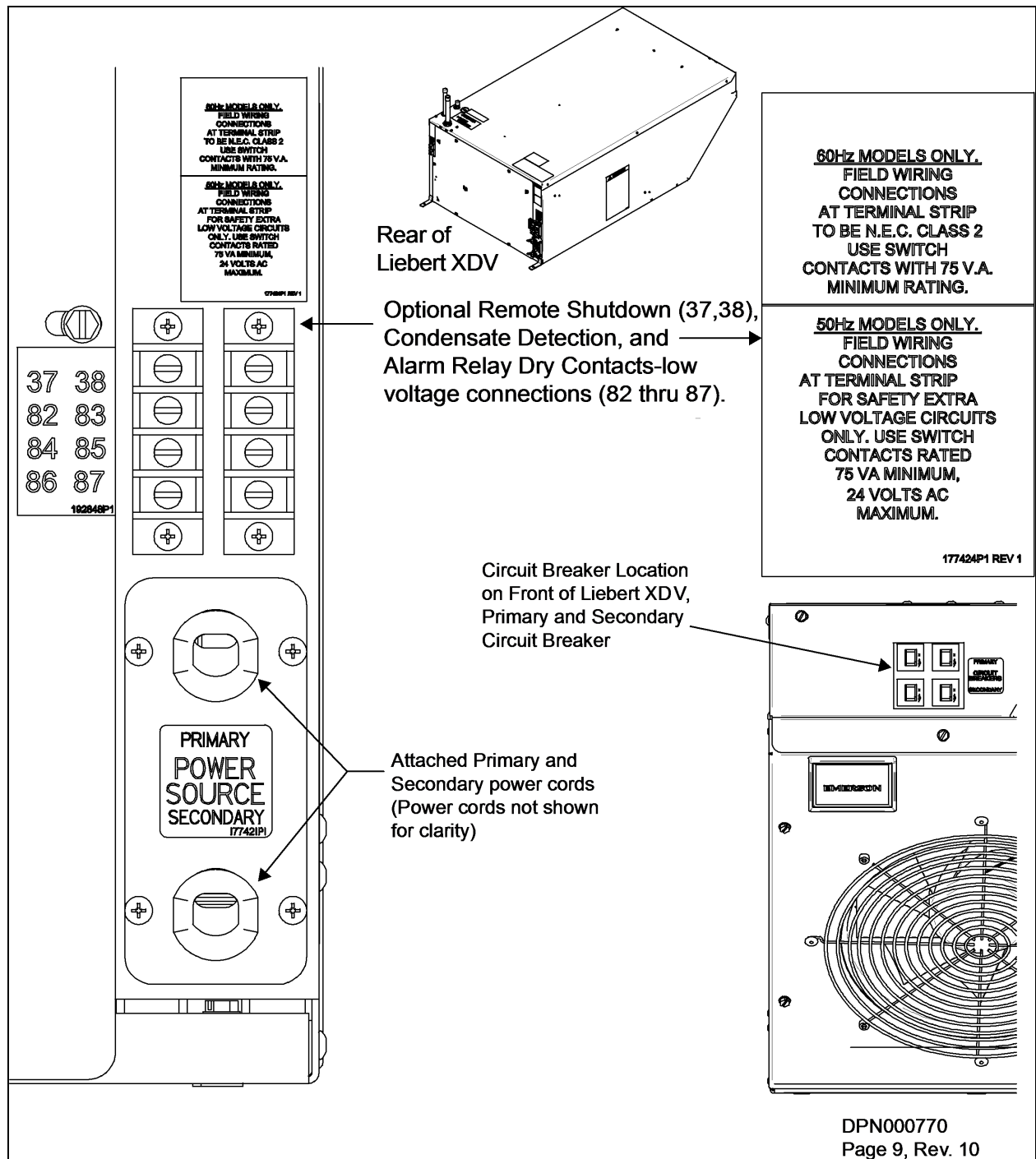


Figure 7.4 Electrical connections for CE-approved Liebert XDV smart modules



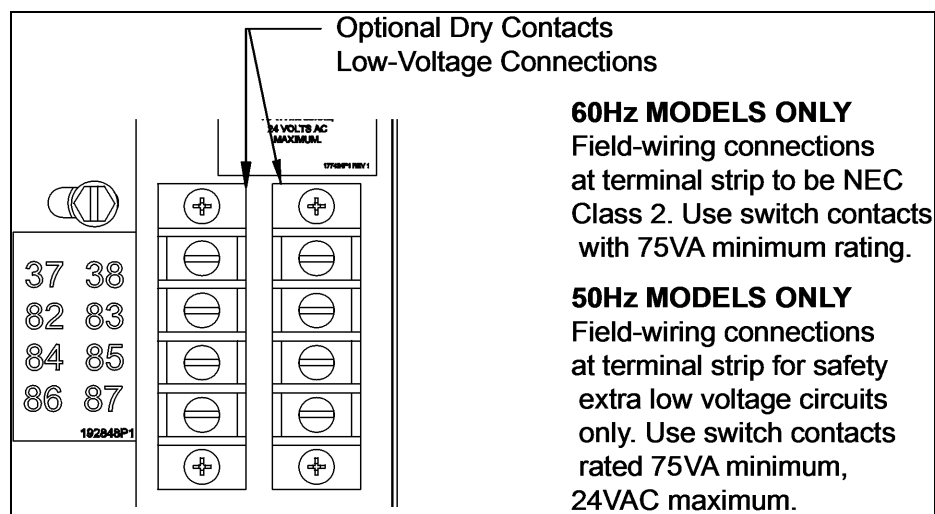
7.2 Low-Voltage Wiring—Liebert XDV Smart Modules

The low-voltage connections for Liebert XDV smart modules are on the rear right side of the modules. The power connections are shown in the following figure and the dry contacts can be connected to a monitoring module, such as Liebert SiteScan®. Make low-voltage connections on these modules according to site-specific drawings. The module must be installed in accordance with national and local wiring regulations.

Terminal block connections 37, 38 and 82 through 87 can be connected to a monitoring unit, such as Liebert SiteScan. The remote shutdown, condensate detection alarm and fan failure alarms operate independently of each other.

- Contacts 37 and 38 are for remote shutdown.
- Contacts terminals 82, 83 and 84 are activated by the condensate detection alarm.
 - T82 is used for normally open contact closure requirements.
 - T83 is common.
 - T84 is used when normally closed contact closure is required.
- Contacts terminals 85, 86 and 87 are activated by the fan failure alarm.
 - T85 is for normally open contact closure requirements.
 - T86 is common.
 - T87 is used when normally closed contact closure is required. The condensate detection alarm and the fan failure alarm operate independently of each other.
- P66 and P67 are CAN bus ports.

Figure 7.5 Low-voltage connections for Liebert XDV smart modules

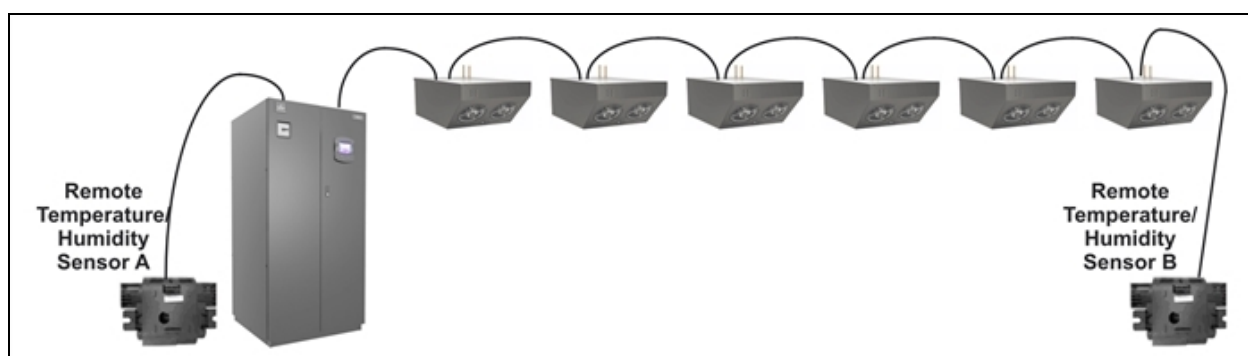


8 CANBUS LIEBERT XDP™ OR LIEBERT XDC™ INTERCONNECTION WITH SMART MODULES

A Controller Area Network (CAN) is a specialized internal communication network. It allows a Liebert XDP, Liebert XDC and Liebert XD™ smart modules to communicate without a host computer. Networking the Liebert XDP or Liebert XDC to smart modules enables the smart modules to be controlled and monitored from the Liebert XDP or Liebert XDC.

The following figure shows a typical Liebert XD system in a CANbus network. Liebert XD smart modules should be connected to the Liebert XDP or Liebert XDC that supplies the modules with refrigerant.

Figure 8.1 Liebert XD system with CANbus



NOTE: Only six Liebert XDV10S* are shown. A maximum of 16 Liebert XDV10S* and a maximum of 20 Liebert XDV8S* can be connected together on a single CANbus.

Plan wiring runs for Unit-to-Module (U2M) communication when designing the layout of the conditioned space. In addition to general good wiring practices, take into account:

- Keep control and communication cables away from power cables to prevent electromagnetic interference.
- Do not bend cables to less than four times the diameter of the cable.
- Do not deform cables when securing in bundles or when hanging them.
- Keep cables away from devices that can introduce noise into them, such as machines, fluorescent lights, and electronics.
- Avoid stretching cables-tension when pulling cables should not exceed 25 pounds (11kg).
- Do not secure cables with any method that might damage them; use approved hangers, such as those used for telephone wire and RG-6 coaxial wire; available at most hardware stores.
- Do not run cables through conduit. Cables should be treated the same as any other data cable. Running CANbus cables through conduit will increase the total length required.

8.1 Network Layout Options

The Liebert XDP and Liebert XDC have two CANbus ports each (P2 and P4) on the CAN Isolator in the low voltage side of the electrical box (see [CAN Isolator location within the Liebert XDP/XDC](#) on page 60 and [P2 and P4 locations on the CAN Isolator](#) on page 61). This allows for two chains of the network to be created to minimize the total network length.

8.1.1 Remote Temperature/Humidity Sensor Placement and Connection to the CANbus

The Liebert XDP and Liebert XDC are shipped with two remote temperature/humidity sensors. One sensor should be placed closer to the Liebert XDP or Liebert XDC; the other should be placed in the warmest part of the cold aisle or in the return air stream of a computer room air conditioning unit, such as the Liebert DS™ or Liebert CW™.

One shielded CANbus cable is provided with each sensor.

The remote sensors can be placed at the end of a chain or in the middle of a daisy chain as shown. Refer to the following figure and [Modules on two chains](#) on the facing page for acceptable network layouts.

Figure 8.2 Modules on a single chain

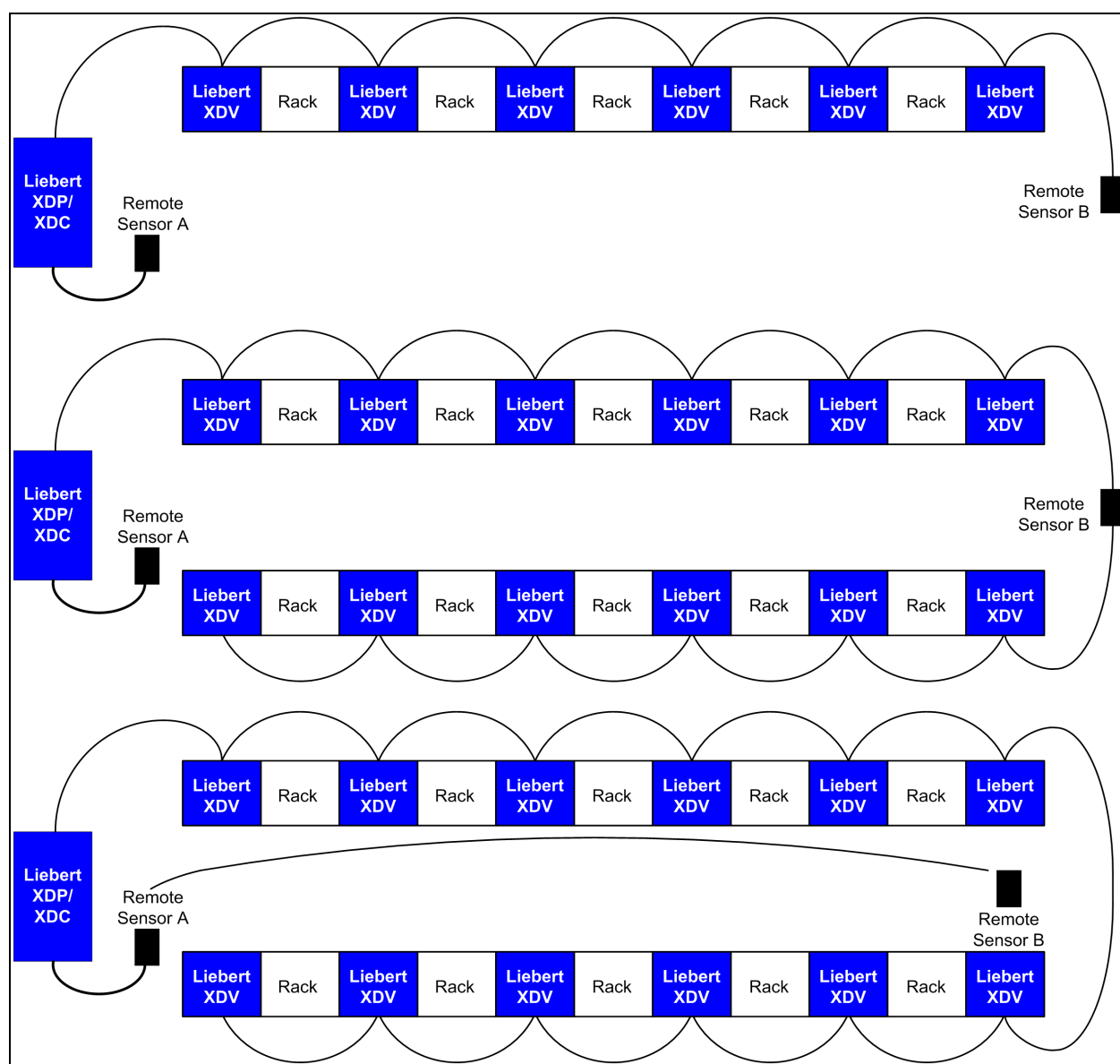
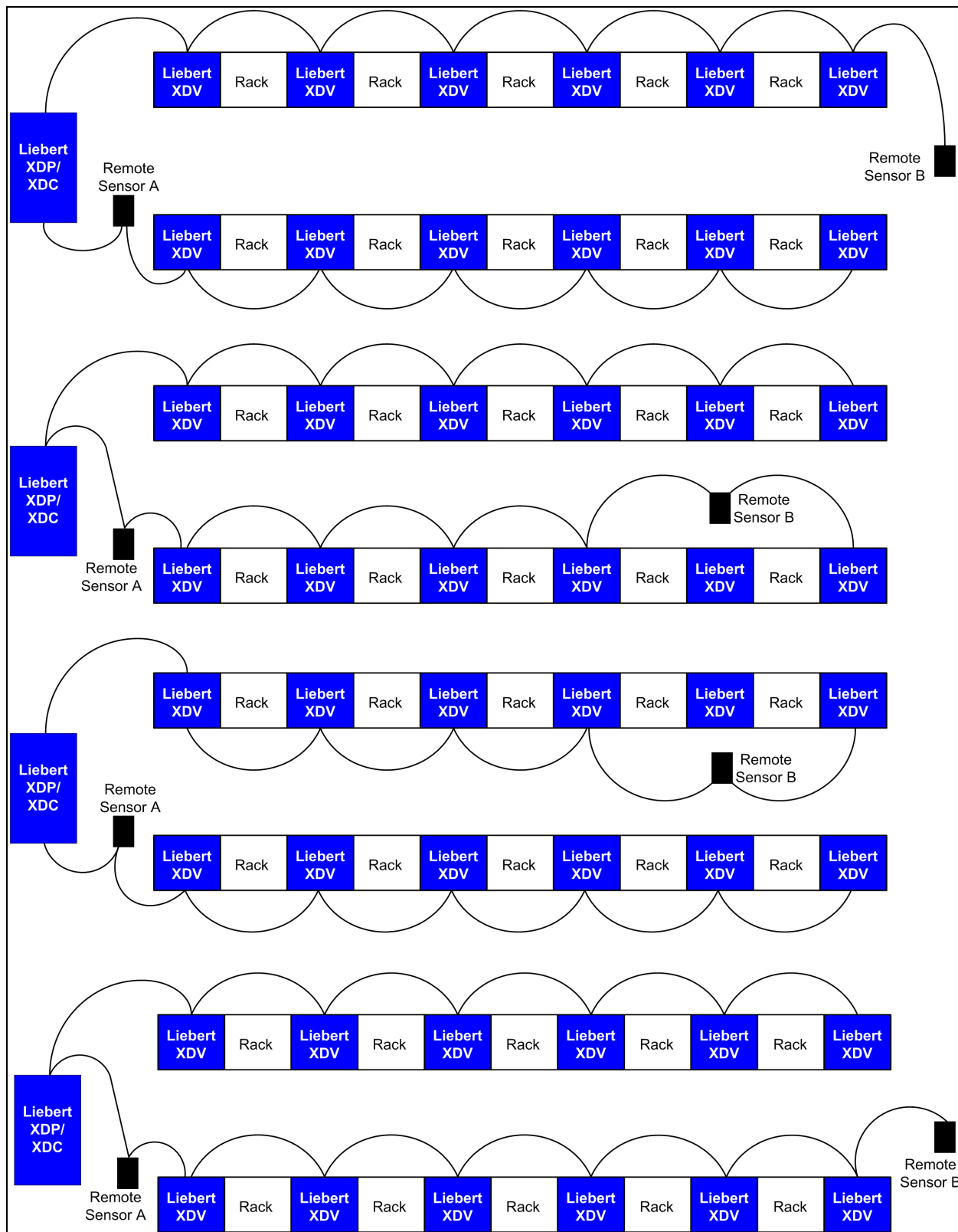


Figure 8.3 Modules on two chains



8.1.2 CANbus Maximum Length

The CANbus network (the sum of the two CANbus chains) has a maximum length limitation.

- If the Liebert XDP or Liebert XDC with iCOM does not have a CAN Isolator, the maximum distance is 150 ft. (46m) total network without measuring the final device voltage. The 150 ft. (46m) total must also include the remote temperature and humidity sensor cable lengths.
- If the Liebert XDP or Liebert XDC contains a CAN Isolator, the maximum distance is 300 ft. (91m). To exceed this length, the final device voltage must be measured.

8.1.3 Measuring Final Device Voltage

Required tools

- RJ11 6-way Modular Adapter (use Paladin Tools RJ11 6-way modular adapter, Paladin part number 1903, or similar tool)
- Voltmeter

Testing the voltage requires turning On the Liebert XDP or Liebert XDC and all connected smart modules.

1. Start the Liebert XDP or Liebert XDC. If needed, refer to SL-16644 for the Liebert XDP or SL-16674 for the Liebert XDC.
2. Locate P67 on the final device.
3. Plug the RJ11 adapter into P67.
4. Measure the DC voltage between Pin 1 (-) and Pin 2 (+). The voltage should be between 8 and 17.5VDC.
5. Measure the DC voltage between Pin 5 (+) and Pin 6 (-). The voltage should be between 8 and 17.5VDC.
6. Remove the RJ11 adapter.
7. Repeat for second chain if the smart modules are separated into two chains within the network.

8.2 CANbus Cables

The Liebert XDP may be connected to the smart modules with a CANbus cable. The shielded cable consists of three pairs of twisted wires with a 6-pin RJ12 connector.

NOTICE

Risk of improper wiring. Can cause equipment damage.

Mismatching wire pins at the RJ12 connection will damage the CAN device. Extreme caution should be taken when making cables.

Figure 8.4 CANbus cable

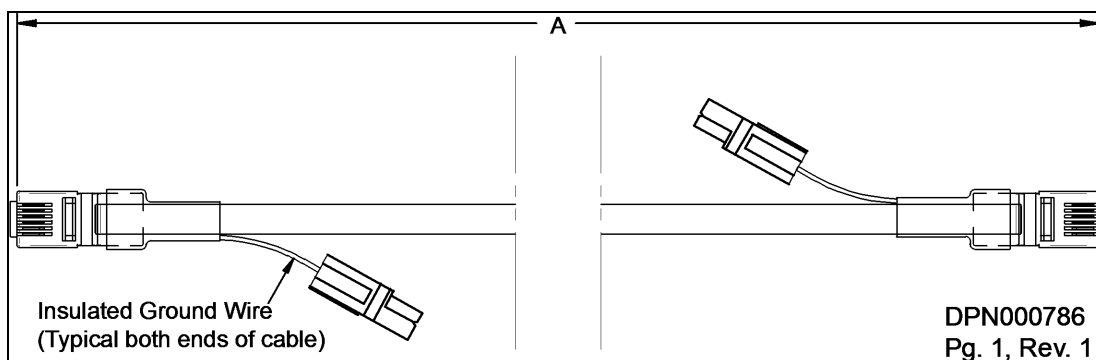
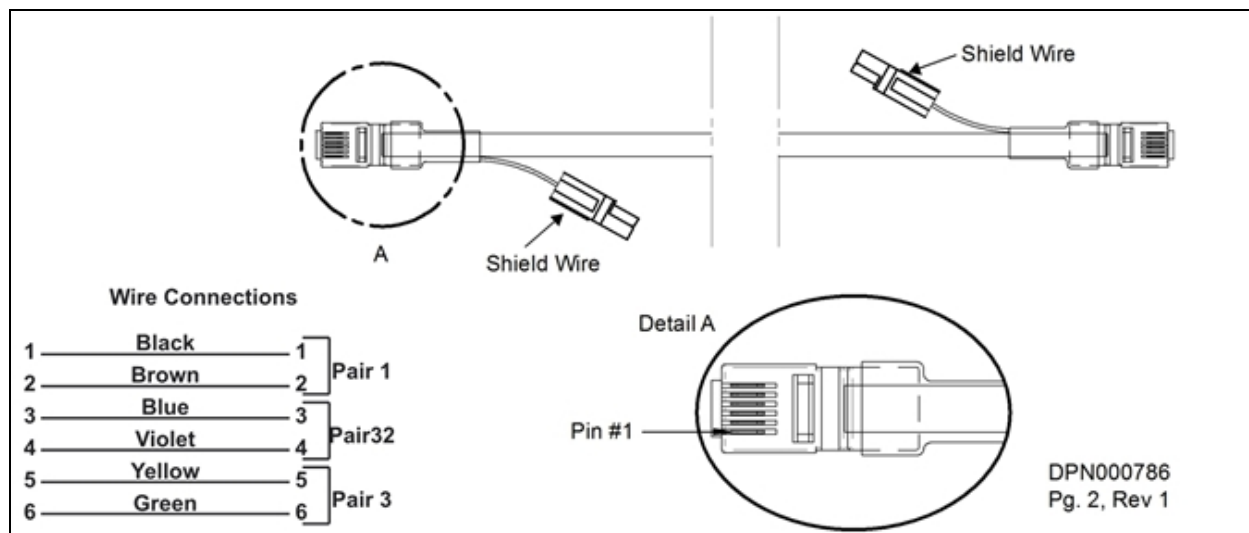


Table 8.1 CANbus cable lengths and part numbers

Liebert Part #	Dimension A ft. (m)
300157G1	6 (1.8)
300157G2	10 (3)
300157G3	20 (6)
300157G4	30 (9.1)
300157G5	60 (18.3)
300157G6	90 (27.4)
300157G7	120 (36.6)
300157G8	150 (45.7)
300157G9	6.25 (1.9)
300157G10	3 (0.9)
300157G11	15 (4.6)
300157G13	40 (12.2)
300157G14	50 (15.2)
300157G15	70 (21.3)
300157G16	80 (24.4)
300157G17	100 (30.5)
300157G18	110 (33.5)

Figure 8.5 CANbus cable plug



8.3 Connecting the CANbus Network

8.3.1 Connection to the Liebert XDP or Liebert XDC

The Liebert XDP and Liebert XDC have two CANbus ports each (P2 and P4) on the CAN Isolator in the low voltage side of the electrical box (see the following figures). This allows for two chains of the network to be created to minimize the total network length.

Figure 8.6 CAN Isolator location within the Liebert XDP/XDC

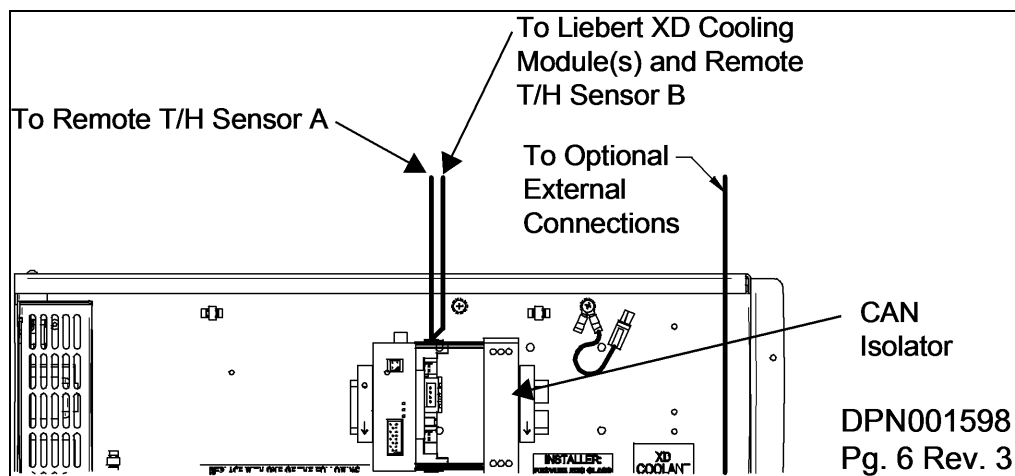
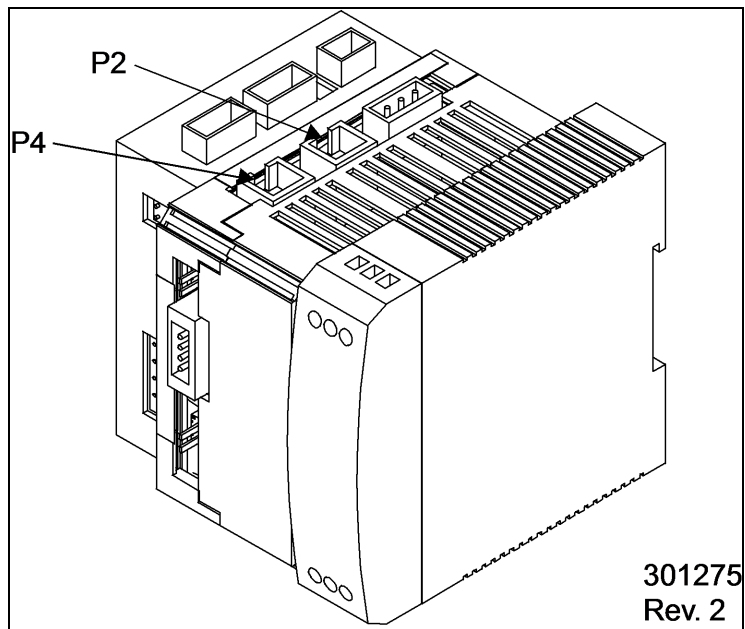


Figure 8.7 P2 and P4 locations on the CAN Isolator

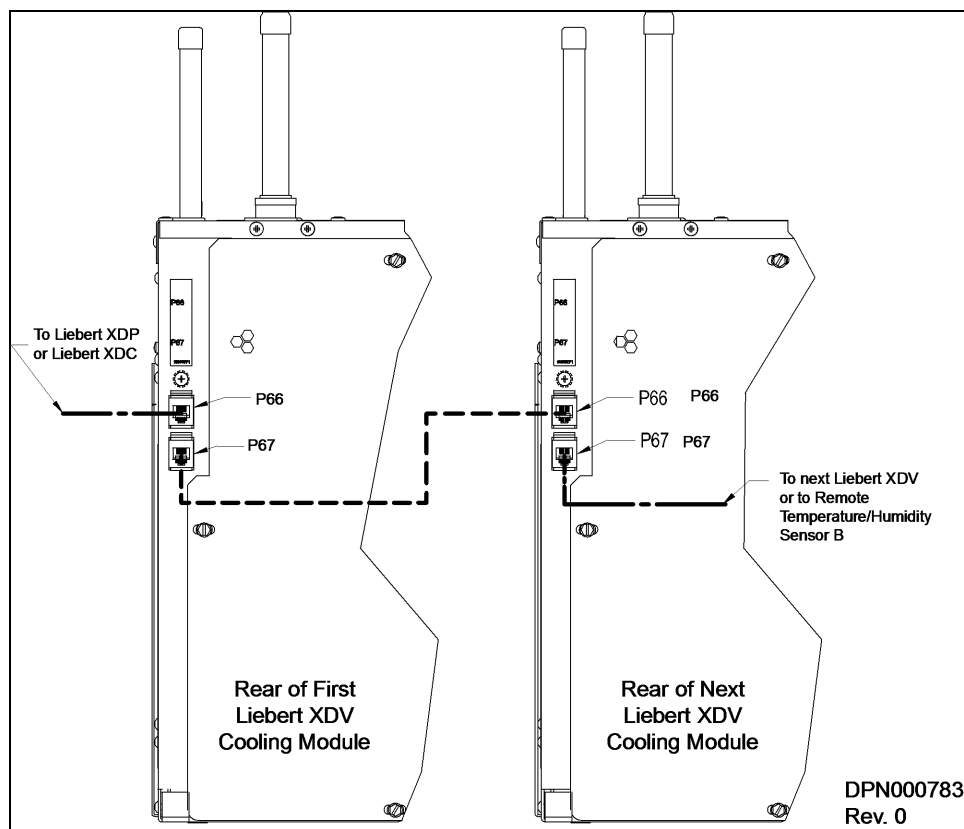


8.3.2 Connecting to the Liebert XD™ Smart Modules

Liebert XDV CANbus Port Locations

The CANbus ports on the Liebert XDV are on the rear of the unit. The cable from the Liebert XDP or Liebert XDC side will be connected to port P66. The leaving cable will be connected to port P67. See the following figure.

Figure 8.8 Liebert XDV Smart Module CANbus port locations



8.4 CANbus Termination

The last device in the chain must be terminated.

- The remote temperature and humidity sensors are terminated at the factory.
- The Liebert XD™ smart modules are **not** terminated at the factory.

Improper termination will cause communication errors.

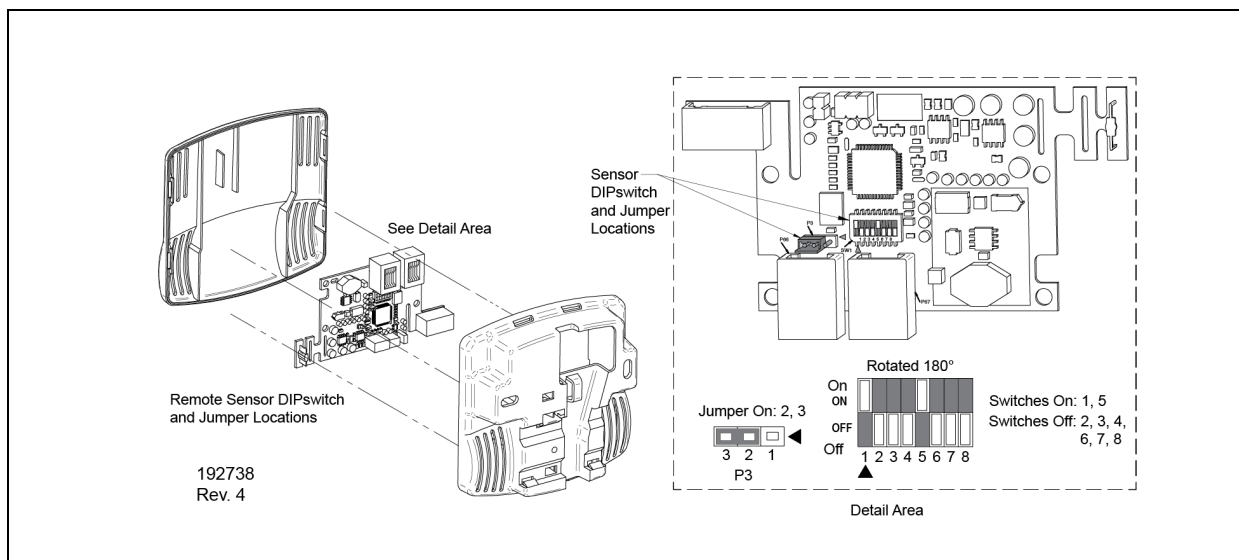
8.4.1 Remote Temperature and Humidity Sensors Termination

The control board is terminated at the factory. If a remote sensor is the last device in the CANbus chain, no changes are necessary. The termination jumper must be removed if a remote sensor is not the last device in the CANbus chain.

To remove the termination jumper:

1. Remove sensor cover.
2. Place a jumper on pins 1 and 2 on P3 (see the following figure).
3. Replace the sensor cover.

Figure 8.9 Removing remote sensor cover; temperature and humidity sensor jumper location



To terminate a temperature and humidity sensor:

1. Remove the sensor cover.
2. Place a jumper on pins 2 and 3 on P3 (see the previous figure).
3. Replace the sensor cover.

8.4.2 Terminating a Smart Module

Liebert XD™ smart modules must be properly terminated or communication errors will result. Smart modules are shipped from the factory unterminated. If the smart module is the last device in the chain—in other words, the last module is not connected to a remote sensor—the smart module control board must be terminated. Refer to [Accessing Internal Electrical Components](#) on page 74 for instructions to access the module control board.

To terminate a smart module:

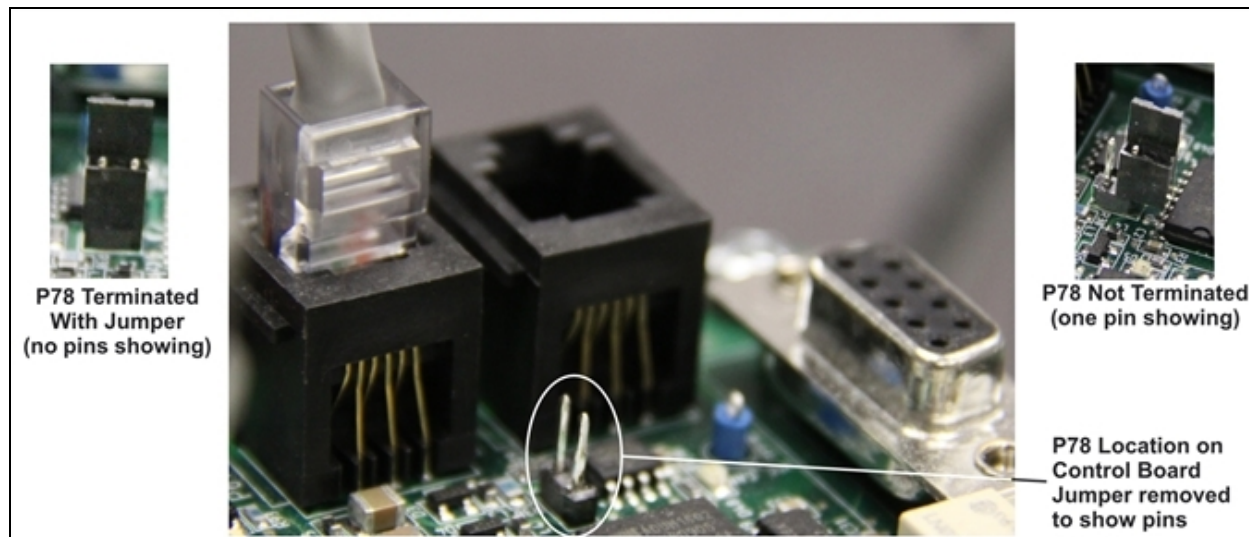
1. Locate the smart module control board.
2. Locate P78 on the control board (see the following figure).
3. Place a jumper on P78 (see the following figure).
4. After completion, reverse the steps to access the control board.

To unterminate a smart module:

Refer to the appropriate Liebert XD smart module for instructions to access the control board.

1. Locate the smart module control board.
2. Locate P78 on the control board (see the following figure).
3. Remove the jumper from P78 (see the following figure).
4. After completion, reverse the steps to access the control board.

Figure 8.10 Liebert XD smart module P78 location



8.4.3 Testing Network Termination

Required tools

- RJ11 6-way Modular Adapter (use Paladin Tools RJ11 6-way modular adapter, Paladin part number 1903, or similar tool)
- Ohmmeter

Checking the Chain Termination

This procedure applies to the last device connected to each end of the chains, either a Liebert XD™ smart module or a remote temperature and humidity sensor.

This procedure requires the Liebert XDP or Liebert XDC and the connected modules to be Off.

1. Turn Off the Liebert XDP or Liebert XDC. If needed, refer to SL-16644 for the Liebert XDP or SL-16674 for the Liebert XDC to turn off the system.
2. Locate P66 on the last control board of the first chain.
3. With the system NOT powered, remove the cable from P66.
4. Connect the cable from P66 to the RJ11 adapter tool.
5. Measure resistance across Pin 3 and Pin 4.
 - a. If the resistance is between 100 and 200 ohms, the chain is properly terminated.
 - b. If the resistance falls below 100 ohms, the chain is not properly terminated: More than one control board is terminated. Each control board must be checked.
6. Remove the cable from the RJ11 adapter tool.
7. Connect the adapter into P66 using the cable provided with the RJ11 adapter tool.
8. Measure the resistance on the final control board.
 - a. If the resistance is between 110 and 140 ohms, the control board is properly terminated.

- b. If the resistance is greater than 200, the control board is not terminated. See [Remote Temperature and Humidity Sensors Termination](#) on page 62 to terminate a remote temperature and humidity sensor and [Terminating a Smart Module](#) on page 63 to terminate a Liebert XD smart module.
9. Reconnect the CANbus cable to P66.
10. Repeat for the second chain.

Checking Individual Control Board Termination

This procedure applies to the devices that are not at the end of the chains, typically a Liebert XD Smart Module.

1. Find P66 and P67 on the control board.
2. Remove the cables from P66 and P67.
3. Plug the RJ11 adapter tool into P67.
4. Measure the resistance between Pin 3 and Pin 4.
 - a. If the resistance is between 110 and 140 ohms and it is not the last control board, the device is not properly terminated. See [Remote Temperature and Humidity Sensors Termination](#) on page 62 for unterminating a remote temperature and humidity sensor or [Terminating a Smart Module](#) on page 63 for unterminating a smart module.
 - b. If the resistance is greater than 200 ohms and it is not the last control board, the device is unterminated.
5. Remove the RJ11 adapter tool.
6. Reconnect the CANbus cables into P66 and P67.
7. Repeat for all devices until the final connected device is reached.
8. Repeat for the second chain.

This page intentionally left blank.

9 INSTALLATION CHECKLIST AND SYSTEM FILL FOR STARTUP

9.1 Checklist for Proper Installation

1. Liebert XDV module is properly mounted, secured either to the cabinet, overhead structure or to the unistruts (field-supplied).
2. Power cords connected to electrical supply.
3. CANbus cables connected to modules, T/H sensor and Liebert XDP™/XDC™.
4. Piping from the Liebert XDP/Liebert XDC to the Liebert XD™ modules, with isolation valves piped to each Liebert XD module.
 - a. Hard-piped modules connected to prefabricated headers.
 - b. Liebert XD Flex Pipes connected to prefabricated header assembly.
5. Leak check.
6. Start the Liebert XD module to ensure proper operation (see [Start the Liebert XDV Basic Module](#) on page 69 or [Start the Liebert XDV Smart Module](#) on page 70).
7. Shut down the Liebert XD module.
8. Piping insulated.

9.2 Charging with Refrigerant and Starting the Liebert XD System

The Liebert XD System must be completely installed before it is charged with refrigerant. After installation is complete, refer to the Liebert XDP or Liebert XDC user manual for instructions on charging the Liebert XD modules with refrigerant and starting the system. The complete Liebert XD system includes all Liebert XD cooling modules, a Liebert XDC or Liebert XDP unit and any other connected equipment.

This page intentionally left blank.

10 OPERATION

The Liebert XDV's fan controls are on the front of the module, near the fans, for easy access. Each switch controls the operation of one fan (see [Fan switches location for Liebert XDV basic module](#) on the next page). The separate switches permit the use of only one fan at a time, reducing the airflow if the Liebert XDV's full cooling capacity is not needed.

The Liebert XDV's primary and secondary circuit breakers are also on the front of the module. They are at the top left when the Liebert XDV is viewed from the front (see [Fan switches location for Liebert XDV basic module](#) on the next page).

NOTICE

Risk of improper operation. May cause equipment malfunction.

One of the Liebert XDV's fans must be turned on before either the Liebert XDP™ or Liebert XDC™ is switched on.

One of the Liebert XDV's fans must be operating at all times that the Liebert XDP or Liebert XDC is operating. Operating either the Liebert XDP or the Liebert XDC without at least one of the Liebert XDV's fans rotating may cause a system malfunction.

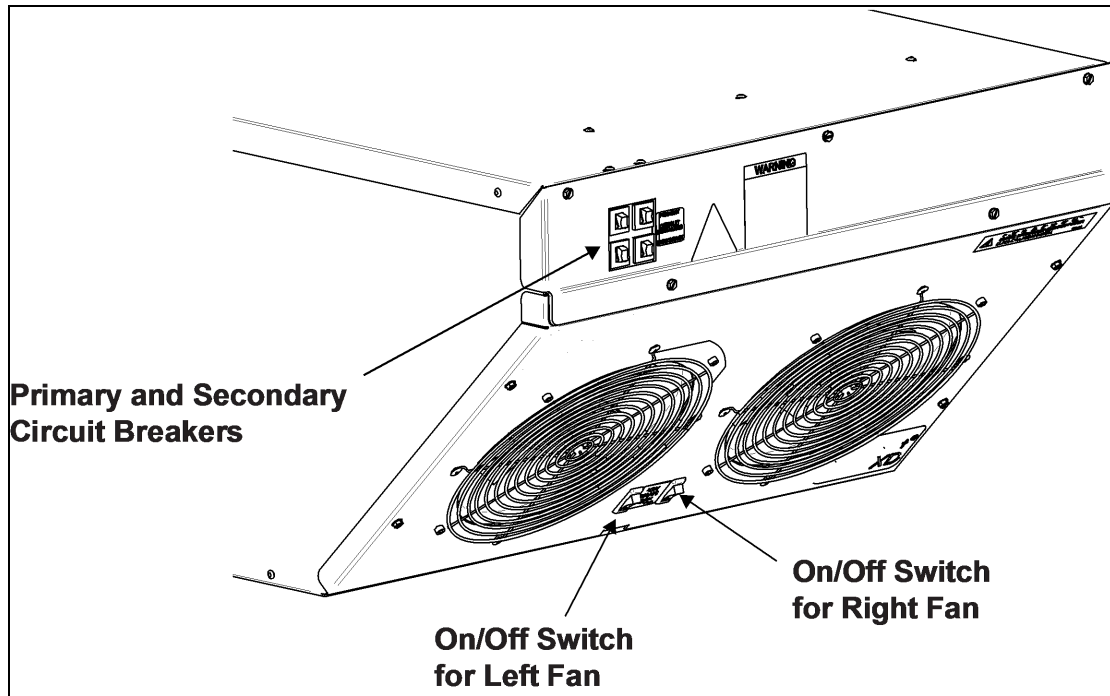
10.1 Start the Liebert XDV Basic Module

The Liebert XDV fans must be On before starting the Liebert XDP or Liebert XDC that will supply coolant to the system.

To start the Liebert XDV:

1. Press the rocker switches to turn On the Liebert XDV's fans.
2. Wait for the fans to start and then start the refrigerant supply unit, either the Liebert XDP or Liebert XDC.

Figure 10.1 Fan switches location for Liebert XDV basic module



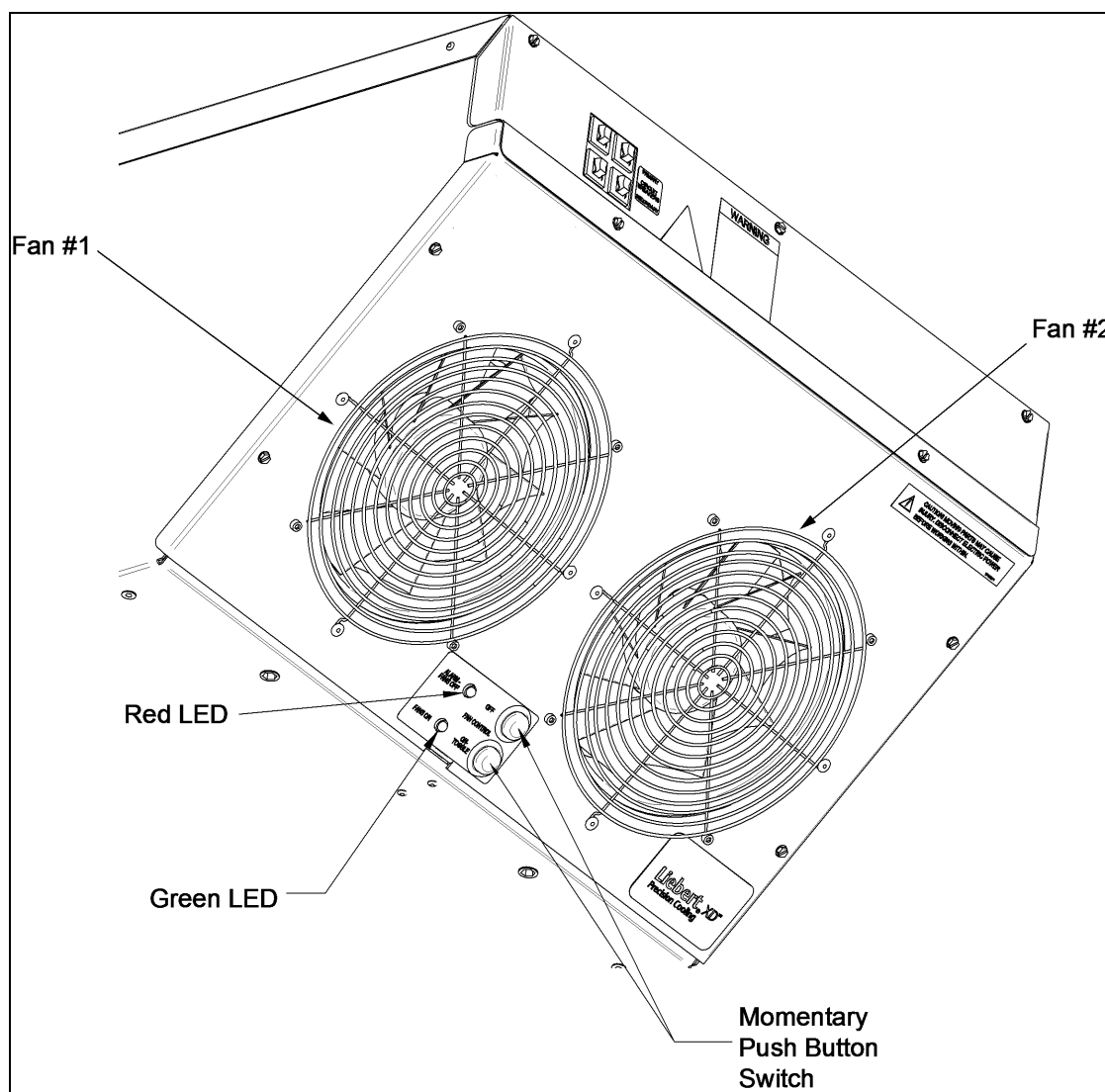
10.2 Start the Liebert XDV Smart Module

When the Liebert XDP™/XDC™ with Liebert iCOM® is turned on, the Liebert XDV smart modules' fans will turn On automatically.

The Liebert XDV's fan controls are on the front of the module, near the fans, for easy access.

1. Press the lower On-Toggle push button once to turn Fan 2 On continuously.
2. Press the lower On-Toggle button a second time to permit the smart module's circuitry to control Fan 1, turning it On and Off as needed.
3. Press the lower On-Toggle button a third time to turn Fan 1 On continuously.
4. Wait for the fans to start and then start the refrigerant supply unit, either the Liebert XDP or Liebert XDC. For that procedure, refer to the unit's user manual, available at www.VertivCo.com.

Figure 10.2 Fan switches with push buttons and LEDs for Liebert XDV smart module



10.3 LED Indicators on Liebert XDV Smart Modules

Liebert XDV smart modules have two LEDs on the front, one red and one green (see the following table).

- Red LED indicates alarms
- Green LED indicates the fans' status

Table 10.1 Key to LED indicators

Red LED	Green LED	Condition
BLINKING: On - short (< 1/2 second), Off - long (nearly 2 seconds)	OFF	The module has power, but fans are Off. User can turn fans On.
OFF	BLINKING: On 1 second, Off 1 second	No alarms. Fan #1 has not been started. Fan #2 is On continuously.
OFF	BLINKING: On - long (1-1/2 seconds), Off - short (1/2 second)	No alarms. Fan #1 is cycling. Fan #2 is On continuously.
OFF	ON continuously	No alarms. Both fans are On continuously.
ON continuously	BLINKING: On - long (1-1/2 seconds), Off - short (1/2 second)	Alarm condition (condensate detected or fan failure). Fan #1 is cycling. Fan #2 is On continuously.
ON continuously	ON continuously	Alarm condition (condensate detected or fan failure). Both fans are On continuously.
BLINKING: On - long (nearly 2 seconds), Off - short (< 1/2 second)	OFF	Remote shutdown activated.

10.3.1 Activating Remote Shutdown Option

The optional remote shutdown option can be made operational by removing the jumper on Terminal Blocks 37 and 38. If the jumper is not removed, the module will stay active.

If the remote shutdown jumper is present, then remote shutdown is not operational.

11 MAINTENANCE

Minimal maintenance is required to keep the Liebert XDV operating at optimal levels. The module should be cleaned and checked for damage and worn parts. Suggested maintenance includes:

- Cooling fins—Clean any dust and debris from the cooling fins, taking care not to bend them
- Circulating fans—Clean any dust from the fans.

11.1 Fluorinated Greenhouse Gas Requirements

Stationary air conditioning, refrigeration, heat pump equipments and stationary fire protection systems in the European Community market and operating with fluorinated greenhouse gases (f-gas), such as R407C, R134a, R410A, must comply with the F-Gas Regulation: (EC) No. 842/2006 (F-gas). The regulation prohibits, among other actions, venting fluorinated greenhouse gases to the atmosphere.

The F-Gas Regulation requires operators to use all measures that are technically feasible and do not entail disproportionate cost to prevent leakage of these gases, to test for leakage regularly and to recover f-gas during equipment service and maintenance and before disposing of equipment.

Refer to the full regulation for additional details.

11.2 Internal Access



WARNING! Risk of high-speed moving parts. Can cause equipment damage, injury or death.

Before opening the Liebert XDV, shut the module off and disconnect all electrical power. Wait for the Liebert XDV's fans to stop rotating before beginning to open the module.



WARNING! Risk of electrical shock. May cause injury or death.

Disconnect all power before working within.

Turn off the main switch (in the center of the fan tray).

Remove both power cords from the electrical supply outlets or from the receptacles on the back of the Liebert XDV.



CAUTION: Risk of improper handling. May cause injury.

Use both hands when removing fan tray assembly. Improperly handling the assembly may cause injury during removal.

The conditions required for sensitive electronic equipment should preclude the accumulation of appreciable amounts of dust in the Liebert XDV. Most of that small amount should be found on the rear coils, near the air inlet. The rear covers and the fan tray on the front of the Liebert XDV are easily removed for maintenance. (A wiring diagram is provided on the inside of the fan tray.)

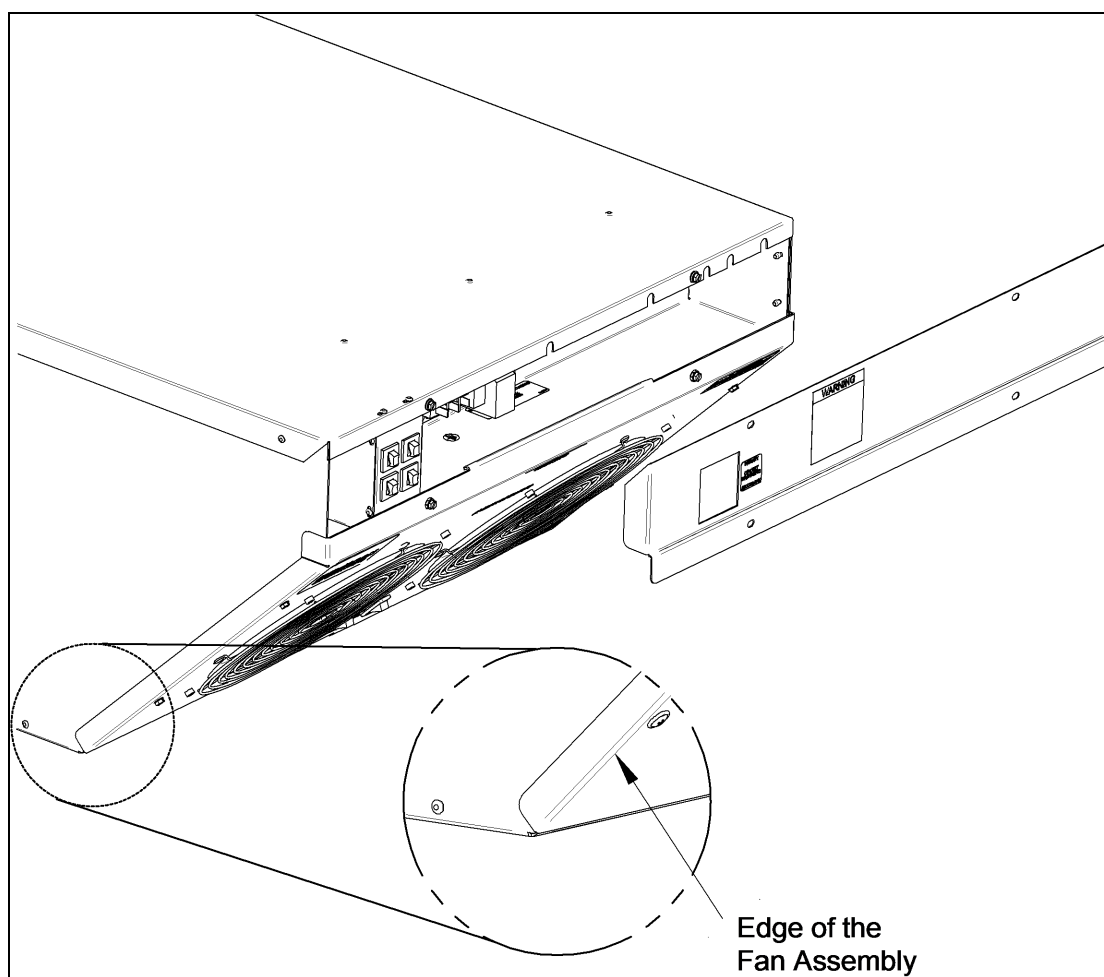
To remove the rear grille:

1. Loosen the six screws holding the grille on the rear of the Liebert XDV.
2. Remove the grille and lay it aside for reinstallation.

11.2.1 Accessing Internal Electrical Components

1. Disconnect all power inputs.
2. Remove five screws to remove the front electrical panel cover. See the following figure.
3. Lift off the panel.

Figure 11.1 Accessing internal electrical components

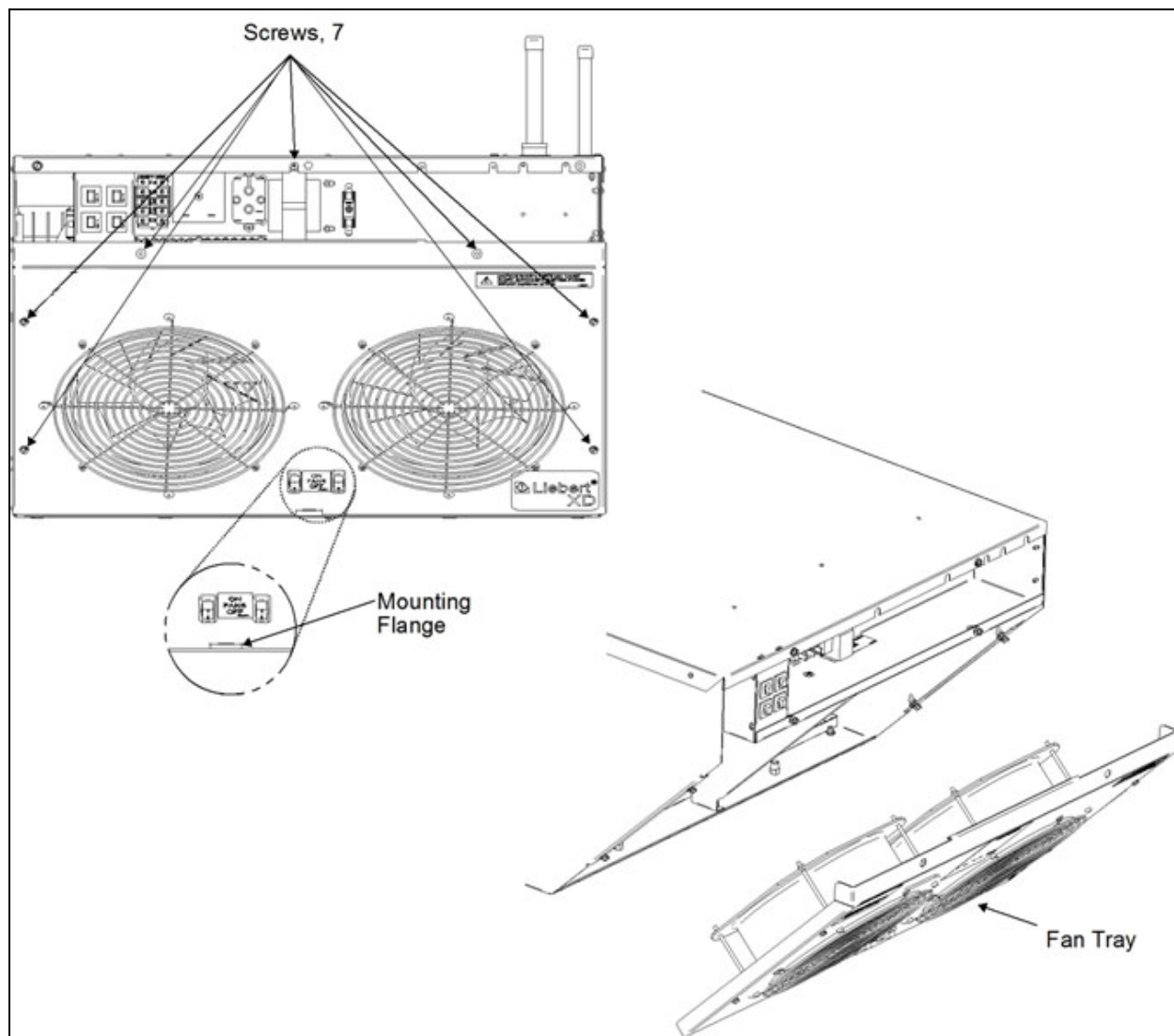


11.2.2 Remove the Fan Tray

1. Remove the front electrical panel cover as described in [Accessing Internal Electrical Components](#) above.
2. Disconnect the 12-pin connector. Take care not to stretch or stress the electrical wires to the fans.
3. Remove the screws holding the fan tray on the Liebert XDV (see the following figure).
4. Support the fan tray when removing the last screw to keep it from falling.
5. Set the screws aside for reinsertion after maintenance is completed.

- Then lift the fan tray up and set it on top of the Liebert XDV or on a nearby surface.

Figure 11.2 Removing the fan tray



11.2.3 Reattach the Fan Tray

- Clean the fan tray to prevent debris from being blown into the computer cabinet.
- Reconnect the 12-pin connector.
- Lift the fan tray and fit it against the base of the Liebert XDV housing (see the previous figure).
- Holding the fan tray against the Liebert XDV housing, insert the screws extracted when removing the fan tray.
- Tighten the screws securely.
- Reconnect power to the Liebert XDV.

This page intentionally left blank.

12 SPECIFICATIONS

Table 12.1 Liebert XDV10 specifications

Models*	XDV10BK XDV10SK	XDV10BT XDV10ST		XDV10BS XDV10SS
	60 Hz	60 Hz	50 Hz	50 Hz
Cooling Capacity	Nominal (98°F [37°C] EAT): 10kW / 2.8 Tons Maximum (106°F [41°C]EAT): 11.7kW/3.3 Tons		Nominal (98°F [37°C] EAT): 8.3kW / 2.4 Tons Maximum (116°F [47°C]EAT): 11.7kW/3.3 Tons	
Conditions	Capacity Rating is @ 55°F (13°C) Entering Fluid Temperature and 50°F (10°C) or lower dew point, rear air inlet.			
Electrical Requirements				
Input	120V model: 1ph-60 Hz	230V model: 1ph-60 Hz	230V model: 1ph-50 Hz	
Input power connections	2 power connections, each model			
Full Load Amps	120V model: 2.0A	230V model: 1.0A		
Power consumption, nominal, watts	180	190	190	190
Dimensions, in. (mm)				
Height – module only	14 (355) not including pipe connections			
Height – including hard- piped connections	18-5/8 (473)			
Height – including one-shot connections	19-5/8 (498)			
Width	22-7/8 (581)			
Depth – Top	39-1/2 (1003)			
Depth – Bottom	29-5/8 (752)			
Weight, lb (kg)				
Module only	77 (35)			
Shipping weight	125 (57)			
Installed, with refrigerant	79 (36)			
Number of fans	2	2	2	2
Airflow, Nominal, ft ³ / min (m ³ / hr)	1000 (1699) with rear inlet. Bottom inlet airflow may be less, depending on restrictions inside cabinet		833 (1415) with rear inlet. Bottom inlet airflow may be less, depending on restrictions inside cabinet	
Audible noise	78 dBa sound power		73 dBa sound power	
Pipe Connections (without Liebert XD™ Flex Pipe)				
Refrigerant supply from Liebert XDP™/Liebert XDC™	1/2" OD, Cu			
Refrigerant return to Liebert XDP/ Liebert XDC	5/8" OD, Cu			
Serviceable Parts	Fans and electrical components			
Cabinet Exterior Finish	Black, matte finish, heat-fused powder coat			

Table 12.1 Liebert XDV10 specifications (continued)

Models*	XDV10BK XDV10SK	XDV10BT XDV10ST		XDV10BS XDV10SS
	60 Hz	60 Hz	50 Hz	50 Hz
Options				
Smart Module control board (factory-installed)	Dry contact, 24VAC, 1A maximum			
Pre-Charged Refrigerant	R-134a refrigerant, one-shot connections			
Agency				
Approvals	CSA 60Hz		CSA 50Hz	CE 50Hz
* Refer to Figure 1.2 on page 3 for complete part number.				

Table 12.2 Liebert XDV8 specifications

Models*	XDV8BK XDV8SK	XDV8BT XDV8ST		XDV8BS XDV8SS
	60 Hz	60 Hz	50 Hz	50 Hz
Cooling Capacity	Nominal (92°F [33°C] EAT): 8kW / 2.3 Tons Maximum (95°F [35°C] EAT): 8.7kW / 2.5 Tons		Nominal (92°F [33°C] EAT): 7kW/2.0 Tons Maximum (103°F [39°C] EAT): 8.7kW / 2.5 Tons	
Conditions	Capacity rating is @ 55°F (13°C) Entering Fluid Temperature and 50°F (10°C) or lower dew point, rear air inlet.			
Electrical Requirements				
Input	120V model: 1ph-60 Hz	230V model: 1ph-60 Hz	230V model: 1ph-50 Hz	
Input power connections	2 power connections, each model			
Full Load Amps	120V model: 2.0A	230V model: 1.0A		
Power consumption, nominal, watts	180	190	190	190
Dimensions, in. (mm)				
Height – module only	14 (355) not including pipe connections			
Height – including hard-piped connections	18-5/8 (473)			
Width	22-7/8 (581)			
Depth – Top	39-1/2 (1003)			
Depth – Bottom	29-5/8 (752)			
Weight, lb (kg)				
Module only	77 (35)			
Shipping weight	125 (57)			
Installed, with refrigerant	79 (36)			
Number of Fans	2	2	2	2
Airflow, Nominal, ft ³ /min (m ³ /hr)	1000 (1699) with rear inlet. Bottom inlet airflow may be less, depending on restrictions inside cabinet		833 (1415) with rear inlet. Bottom inlet airflow may be less, depending on restrictions inside cabinet	
Audible noise	78 dBA sound power		73 dBA sound power	

Table 12.2 Liebert XDV8 specifications (continued)

Models*	XDV8BK	XDV8BT		XDV8BS
	XDV8SK	XDV8ST		XDV8SS
	60 Hz	60 Hz	50 Hz	50 Hz
Pipe Connections (without Liebert XD™ Flex Pipe)				
Refrigerant supply from Liebert XDP™/ Liebert XDC™	1/2" OD Cu			
Refrigerant return to Liebert XDP/ Liebert XDC	5/8" OD Cu			
Serviceable Parts	Fans and electrical components			
Cabinet Exterior Finish	Black, matte finish, heat-fused powder coat			
Options				
Smart Module control board (factory-installed)	Dry contact, 24-VAC, 1A maximum			
Pre-Charged Refrigerant	R-134a refrigerant, one-shot connections			
Agency				
Approvals	CSA 60Hz		CSA 50Hz	CE 50Hz
* Refer to Figure 1.2 on page 3 for complete part number.				

Table 12.3 Liebert XD™ Flex Pipe one-shot assemblies, supply and return

Description	Length ft (m)	Liebert P/N Straight Connection Assembly	Liebert P/N 90-Degree Connection Assembly	Minimum Bend Radius in. (mm)	
				Supply	Return
Liebert XD Flex Pipe Kit	10 (3.0)	186568G2	186567G2	7 (178)	8 (203)
	8 (2.5)	186568G3	186567G3		
	6 (1.8)	186568G1	186567G1		
	4 (1.2)	186568G4	186567G4		

Table 12.4 Liebert XD Flex Pipe removable assemblies, supply and return

Description	Length ft (m)	Liebert P/N Straight Connection Assembly	Liebert P/N 90-Degree Connection Assembly	Minimum Bend Radius inches (mm)	
				Supply	Return
Liebert XD Flex Pipe Kit	10 (3.0)	187867G2	187866G2	7 (178)	9 (229)
	8 (2.5)	187867G3	187866G3		
	6 (1.8)	187867G1	187866G1		
	4 (1.2)	187867G4	187866G4		

Table 12.5 CANbus cable lengths and part numbers

Liebert Part#	Dimension A ft. (m)
300157G1	6 (1.8)
300157G2	10 (3)
300157G3	20 (6)
300157G4	30 (9.1)
300157G5	60 (18.3)
300157G6	90 (27.4)
300157G7	120 (36.6)
300157G8	150 (45.7)
300157G9	6.25 (1.9)
300157G10	3 (0.9)
300157G11	15 (4.6)
300157G13	40 (12.2)
300157G14	50 (15.2)
300157G15	70 (21.3)
300157G16	80 (24.4)
300157G17	100 (30.5)
300157G18	110 (33.5)



VertivCo.com | Vertiv Headquarters, 1050 Dearborn Drive, Columbus, OH, 43085, USA

© 2017 Vertiv Co. All rights reserved. Vertiv and the Vertiv logo are trademarks or registered trademarks of Vertiv Co. All other names and logos referred to are trade names, trademarks or registered trademarks of their respective owners. While every precaution has been taken to ensure accuracy and completeness herein, Vertiv Co. assumes no responsibility, and disclaims all liability, for damages resulting from use of this information or for any errors or omissions. Specifications are subject to change without notice.

SL-16626_REV13_11-17/590-1705-501A