



VERTIV™

Liebert® EEU +

(Energy Export Units)
Reliable On-Grid Inverter
10kW-20kW



Liebert® EEU +

(Energy Export Units)

Reliable On-Grid Inverter - 10kW-20kW



FEATURES

- MPPT efficiency > 99.9%
- Maximum efficiency > 98.0%
- Two independent MPP tracking gains optimal energy harvesting
- Low sensitivity to grid disturbances to avoid undesired disconnection from the grid
- Wide range of input voltage and operation environment
- Wide DC input range from 250V up to 950V
- Wide operating temperature range -25°C to +60°C
- IP65 harshest industrial protection for indoors & outdoors
- RS232/RS485/WiFi Interfaces
- Easy-to-read LCD display with all operational status and monitored data

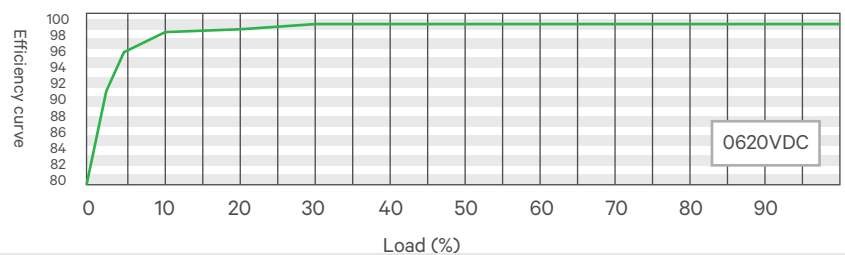


APPLICATIONS

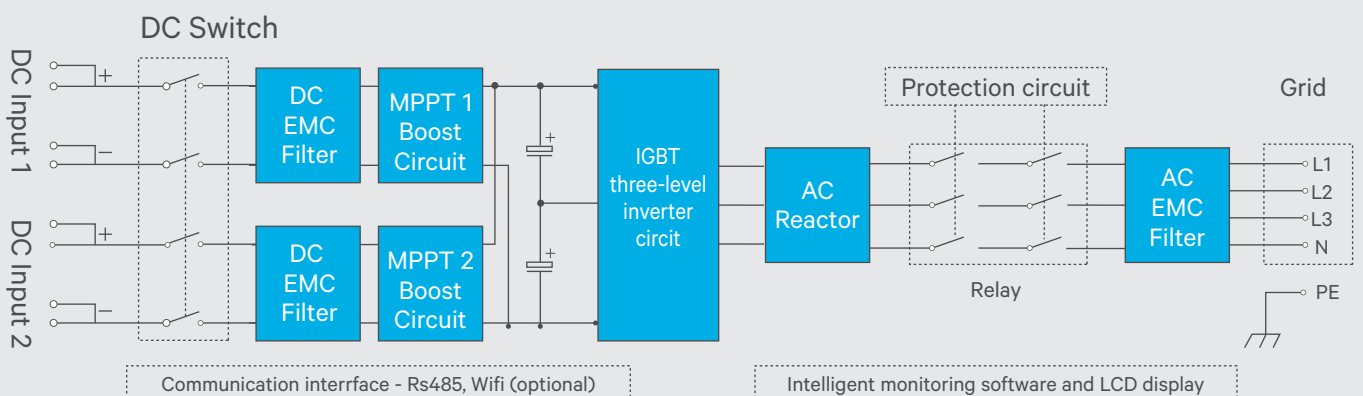
- Residential Grid Export
- Commercial Grid Export
- Decentralised Power Plants



Efficiency curve



Circuit diagram



Liebert® EEU +

(Energy Export Units)

Reliable On-Grid Inverter - 10kW-20kW



SPECIFICATIONS

Model	EEU+ 10KW	EEU+ 20KW
Input(DC)		
Max. DC power	11KW	22 KW
Max. DC voltage	1000V	
MPPT voltage range	250-950V	
Full load voltage range	480-800V	
Normal DC voltage	620V	
Min./start DC voltage	200 / 250V	
Number of MPP trackers	2	
Strings per MPP tracker	1	2
Max. DC power per MPP tracker	6KW	12KW
DC Switch	yes	
Max. input current per MPP tracker	13A/ 13A	21A/ 21A
Output (AC)		
Normal AC output Power	10KW	20KW
Max. AC output Power	11KW	22KW
Normal AC voltage	400V	
AC voltage range	400V +/-20%	
Normal AC grid frequency	50/ 60Hz	
AC grid frequency range	±5Hz	
Max. output current	17A	32A
Phase shift (cos (p))	0.8leading- 0.8lagging	
THDI	<3%	
AC connection	Three phase	
Topology	Transformerless	
Efficiency		
Max. efficiency	98.0%	
Euro-eta	97.5%	97.7%
MPPT efficiency	99.9%	
Consumption: standby / night	<10W/<2W	<15W/< 2W
Protection devices		
All-pole fault current monitoring unit	yes	
AC short-circuit protection	yes	
Ground fault monitoring	yes	
Mechanism Data		
Dimensions (W/ L/ D) in mm	550/ 700/ 250	
Weight	35Kg	40Kg
Environment Data		
Operating temperature range	-25°C.... +60°C	
Noise emission (typical)	<40 dB	
Cooling concept	Natural	
Installation	Indoors / Outdoors	
Protection rating	IP65	
Features		
LCD display	yes	
Interfaces	RS485 / Optional (SN M P / WiFi)	

Product specifications are subject to change without further notice



E-mail : marketing.india@vertivco.com
Toll free : 1-800-2096070

VertivCo.com | Nitco Biz Park, 2nd Floor, Plot no. C-19, Road No.16U, Wagle Ind Estate, Thane (W), Maharashtra - 400604. India.

© 2016 Vertiv Co. All rights reserved.