

KMMLED185 Console Tray KVM Switch Rack Install



Quick Installation Guide

The 1U rack mount LCD console tray enables you to mount a server console switch behind the LCD console tray in the same 1U space.

NOTE: The minimum EIA flange spacing for the LCD console tray and console switch is 450 mm.

1. Removing existing brackets

Remove any brackets and standoffs that shipped with the KVM switch.

2. Attaching new brackets

Attach a bracket to each side of the switch using two provided screws per side. Refer to Image 2 for the correct bracket positioning.

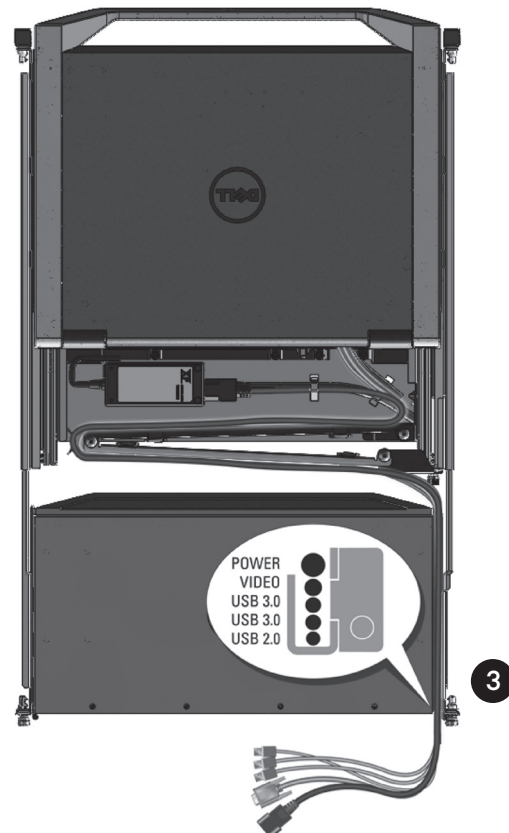
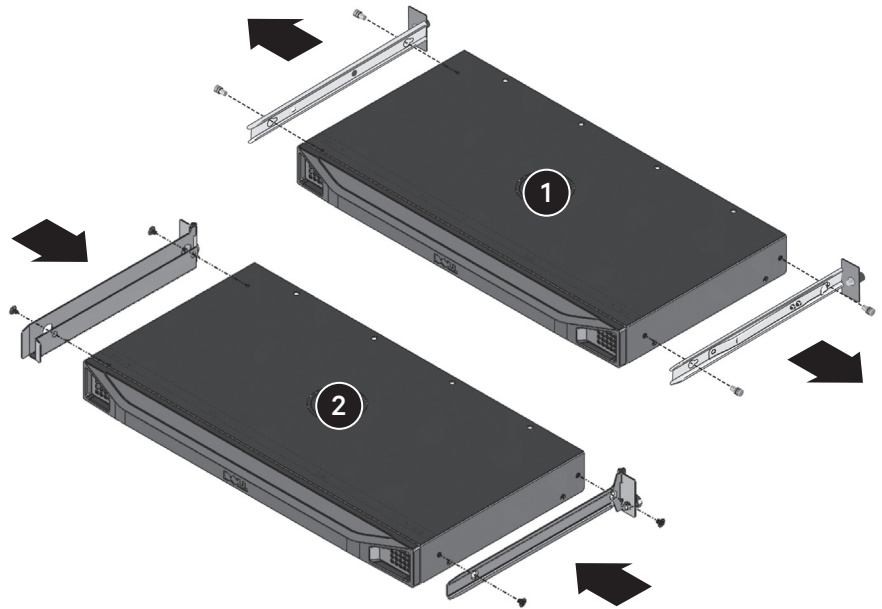
3. Routing cables

Route the provided cables through the cable channel on the side of the switch. Refer to Image 3 for the proper cable stack-up.

4. Installing the switch

From the back of the rack, push the switch in behind the LCD console tray and secure the switch with the supplied thumbscrews.

LCD Console Tray KVM Switch Installation



5. Connecting the switch

Connect the switch to the LCD console tray and connect any servers or target devices to the switch.

Additional information

A translated version of this information is available in the Vertiv™ Rack Mount 18.5" LCD Console Tray for Dell Installer/ User Guide located at <https://www.vertiv.com/en-us/support/avocent-support-dell/>.

Ein übersetztes Installations-/ Benutzerhandbuch für das Vertiv™ 18,5-Zoll-LCD-Konsolen-Tray für Dell zur Befestigung im Rack finden Sie unter <https://www.vertiv.com/en-us/support/avocent-support-dell/>.

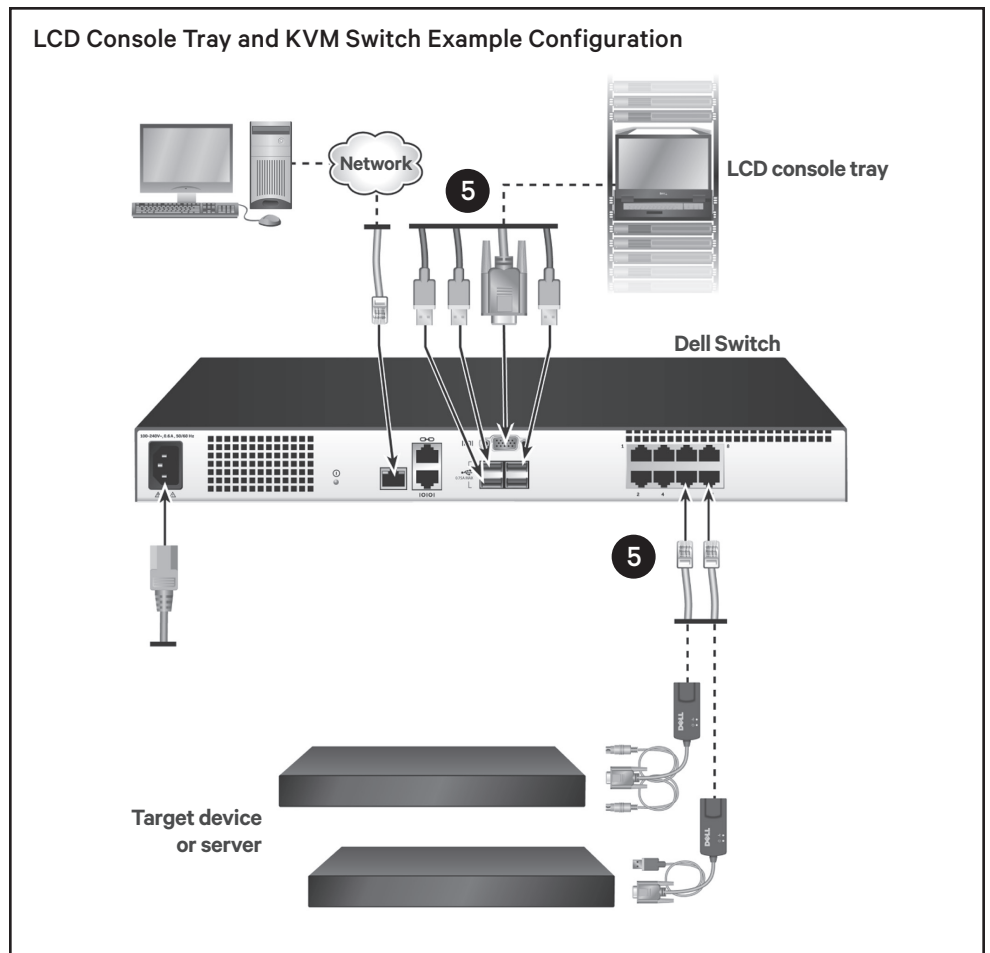
Hay una versión traducida de esta información en la guía de uso e instalación de la bandeja de consola LCD con montaje en rack de 18,5 pulg. Vertiv™ para Dell, disponible en <https://www.vertiv.com/en-us/support/avocent-support-dell/>.

Une version traduite de ces informations est disponible dans le Guide d'installation et d'utilisation du plateau de console LCD 18,5" à montage en rack Vertiv™ pour Dell situé à l'adresse <https://www.vertiv.com/en-us/support/avocent-support-dell/>.

この情報の翻訳バージョンは、「Vertiv™ ラックマウント 18.5 インチ LCD コンソールトレイ (Dell 用) インストーラー/ユーザーガイド」を参照してください (<https://www.vertiv.com/en-us/support/avocent-support-dell/>)。

有关本信息的翻译版本，请参阅《适用于 Dell 的 Vertiv™ 机架式 18.5" LCD 控制台托盘安装人员/用户指南》，详见 <https://www.vertiv.com/en-us/support/avocent-support-dell/>。

有關本資訊的翻譯版本，請參閱《適用於 Dell 的 Vertiv™ 機架式 18.5" LCD 主控台托盤安裝/使用指南》，詳見 <https://www.vertiv.com/en-us/support/avocent-support-dell/>。



이 정보에 대한 번역본은 <https://www.vertiv.com/en-us/support/avocent-support-dell/>에 있는 Vertiv™ Rack Mount 18.5" LCD Dell 용 콘솔 트레이 설치자/사용자 설명서에 있습니다.

Перевод данной информации доступен в руководстве по установке ЖК-консоли для монтажа в стойку Vertiv™ Rack Mount 18.5" для устройств Dell по ссылке: <https://www.vertiv.com/en-us/support/avocent-support-dell/>.

Versi terjemahan informasi ini tersedia dalam Panduan Pengguna/Installer Baki Konsol LCD Rack Mount 18,5" untuk Dell Vertiv™ yang ada di <https://www.vertiv.com/en-us/support/avocent-support-dell/>.

To contact Vertiv Technical Support: visit www.Vertiv.com

© 2021 Vertiv Group Corp. All rights reserved. Vertiv™ and the Vertiv logo are trademarks or registered trademarks of Vertiv Group Corp. All other names and logos referred to are trade names, trademarks or registered trademarks of their respective owners. While every precaution has been taken to ensure accuracy and completeness here, Vertiv Group Corp. assumes no responsibility, and disclaims all liability, for damages resulting from use of this information or for any errors or omissions. Specifications, rebates and other promotional offers are subject to change at Vertiv's sole discretion upon notice.

