

KMMLED185 Console Tray Slide Rail Replacement Service Kit



Quick Installation Guide

Before you replace the rails, ensure you are using the correct slide rail replacement kit appropriate for both the server cabinet rack and LCD console tray. Both the outer rails, which attach to the server cabinet rack, and the inner rails, which attach to the LCD console tray, must be replaced.

NOTE: Disconnect the LCD power, video and USB cables. Remove any KVM switch mounted in the 1U space to the rear of the LCD.

1. Detaching the Cable Management Arm (CMA)

From the back of the rack, unscrew the captive screw to free the CMA from the outer rail.

2. Extending the slide rails

Pull the LCD console tray out until the slide rails are in a fully extended position.

3. Removing the LCD console tray

Press the blue tabs on each side of the LCD console tray and slide the tray out of the rack.

4. Removing the outer rails

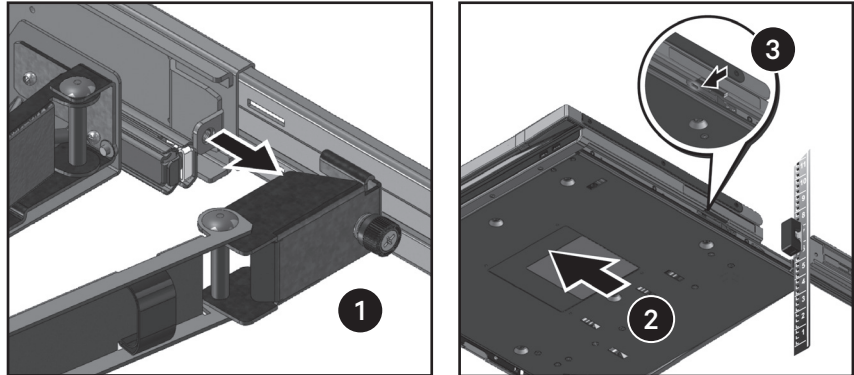
Tool-less Outer Rail Removal

At the front of the rack, pull the blue tab to release the lock. Slide the rail out of the rack.

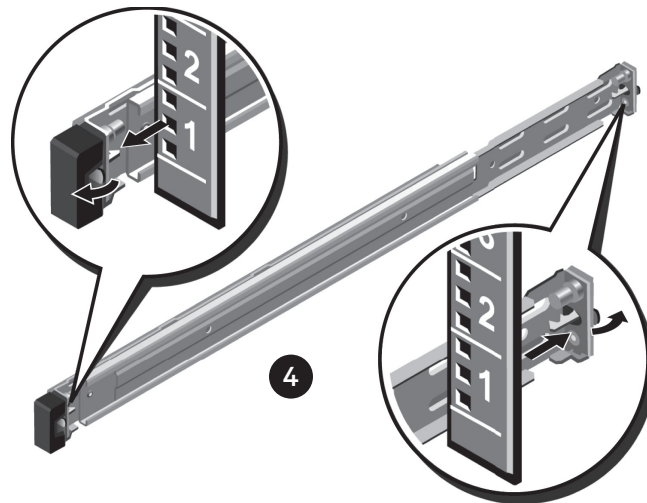
Tooled Outer Rail Removal

Unscrew the two pairs of screws to detach the left and right brackets from the front vertical rack flanges, then repeat for the two pairs of screws at the back vertical rack flanges.

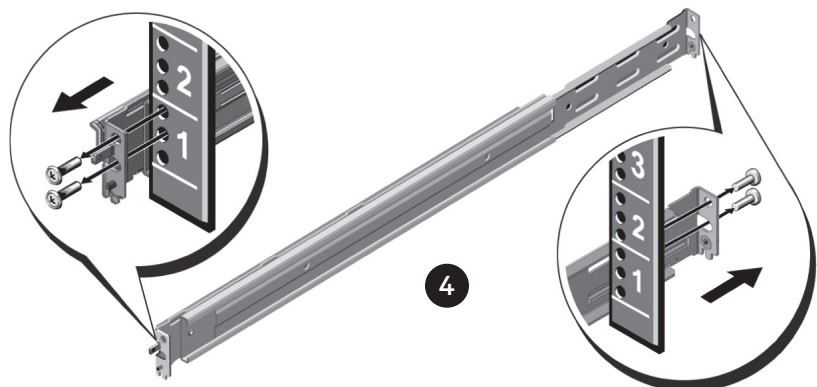
Removing the LCD Console Tray



Removing Tool-less Outer Rails



Removing Tooled Outer Rails



5. Unfastening the keyboard surround from the tray assembly

Remove and save the six screws that secure the keyboard surround to the LCD console tray assembly.

6. Removing the trim strip screws

Remove and save the four screws from the trim strip on the front of the LCD console tray. Bow the trim strip to release the captured ends and remove the tray.

7. Removing the keyboard surround/keyboard assembly

Lift the keyboard surround, containing the keyboard, only high enough to gain access to the USB cable attached to the USB connector on the rear of the keyboard.

Disconnect the USB cable between the bottom of the tray and the USB connector on the rear of the keyboard.

With the USB cable disconnected, remove the keyboard surround/keyboard assembly.

8. Removing the inner rails

Remove the four screws connecting each of the two inner rails to the LCD console tray.

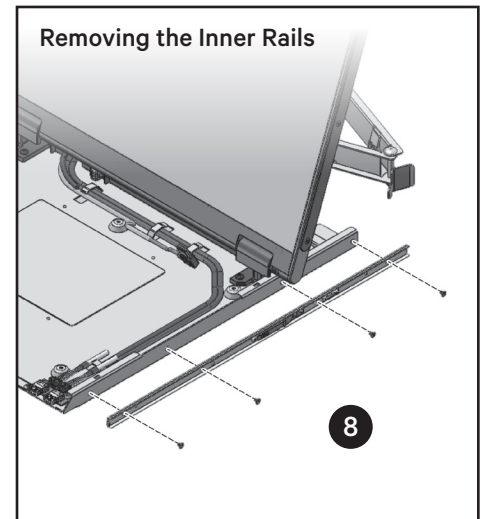
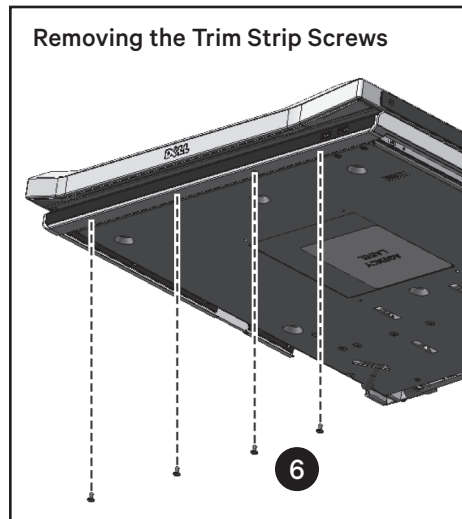
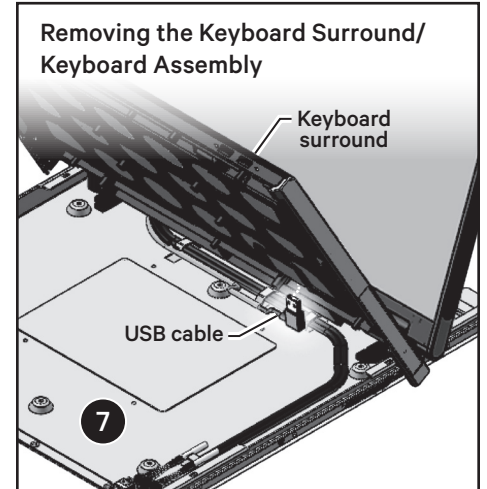
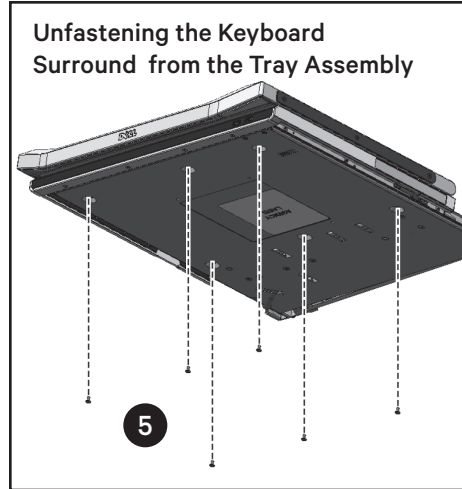
9. Replacing the inner rails

Replace the left or right inner rail and secure it to the LCD console tray with the supplied screws. Repeat for the procedure for the rail on the opposite side.

10. Reconnecting the cable

Position the keyboard surround/keyboard assembly over the LCD console tray and reconnect the USB cable to the USB connector on the rear of the keyboard.

Slide the keyboard surround/keyboard assembly back into



position, ensuring the USB cable is secure and is not pinched.

11. Securing the keyboard surround/ keyboard assembly

Secure the keyboard surround/keyboard assembly to the LCD console tray using the six screws you removed in Step 5.

12. Securing the trim strip

Insert one side of the bottom trim strip and bow it until you are able to seat the other side of the trim strip properly. Secure the trim strip using the screws you removed in Step 6.

To contact Vertiv Technical Support: visit www.Vertiv.com

© 2021 Vertiv Group Corp. All rights reserved. Vertiv™ and the Vertiv logo are trademarks or registered trademarks of Vertiv Group Corp. All other names and logos referred to are trade names, trademarks or registered trademarks of their respective owners. While every precaution has been taken to ensure accuracy and completeness here, Vertiv Group Corp. assumes no responsibility, and disclaims all liability, for damages resulting from use of this information or for any errors or omissions. Specifications, rebates and other promotional offers are subject to change at Vertiv's sole discretion upon notice.

