

# Vertiv™ DCD VR Rack Adapter Kit



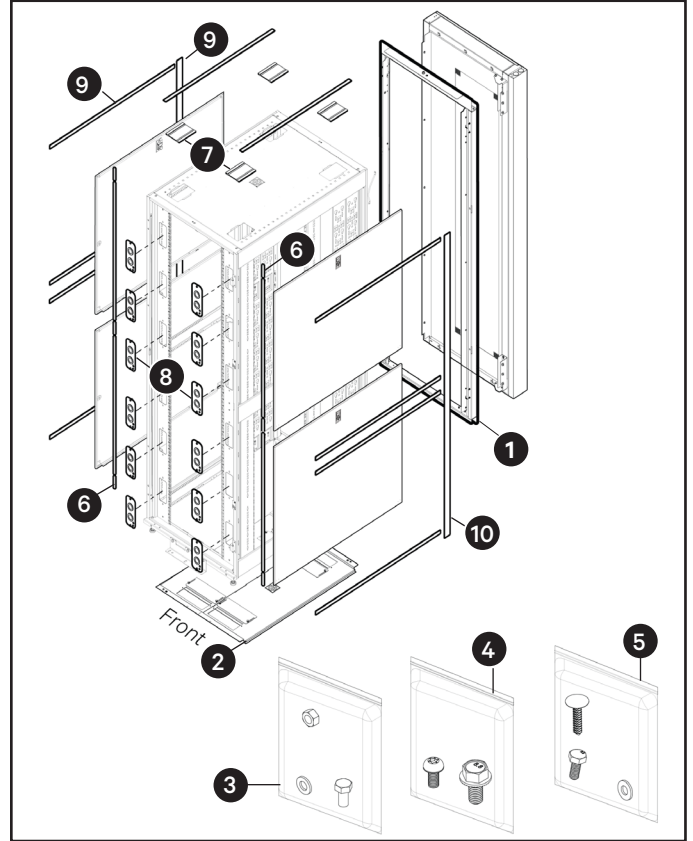
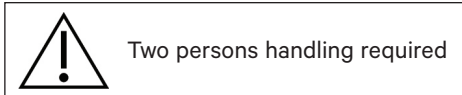
For Part Numbers: DCDVRAD261-KIT, DCDVRAD262-KIT, DCDVRAD281-KIT, DCDVRAD282-KIT, DCDVRAD861-KIT, DCDVRAD862-KIT, DCDVRAD881-KIT and DCDVRAD882-KIT.

## Quick Installation Guide

### Components

Item	Description	Qty.
1	DCD VR Rack Adapter Frame	1
2	VR Networking Bottom panel	1
3	Assembly Hardware (bag 1)	1
4	Mounting Hardware (bag 2)	1
5	Mounting Hardware (bag 3)	1
6	Air Recirculation Prevention Kit	1
7	Cable Pass Through Brush Kit Top Panel	1
8	EIA Rail Covers *	12
9	Magnetic Strip 1"	1
10	Magnetic Strip 2"	1

\* The EIA rail covers only apply to the 800mm VR racks



### Usage Scenarios:

Please refer to the table below to identify kits compatibility with the DCD and VR Rack models.

VR RACK	HEIGHT	WIDTH	DEPTH	DCD	ADAPTER KIT
VR3100	42U	600	1100	DCD35A6	DCDVRAD261-KIT
VR3300			1200	DCD47A6	DCDVRAD262-KIT
VR3150		800	1100	DCD35A8	DCDVRAD281-KIT
VR3350			1200	DCD47A8 DCD50A8	DCDVRAD282-KIT
VR3107	48U	600	1100	DCD35C6	DCDVRAD861-KIT
VR3307			1200	DCD47C6	DCDVRAD862-KIT
VR3157		800	1100	DCD35C8	DCDVRAD881-KIT
VR3357			1200	DCD47C8 DCD50C8	DCDVRAD882-KIT

\*\* Note: Depending on the desired configuration, the water connection could be on the top or bottom, left or right.

# Vertiv™ DCD VR Rack Adapter Kit



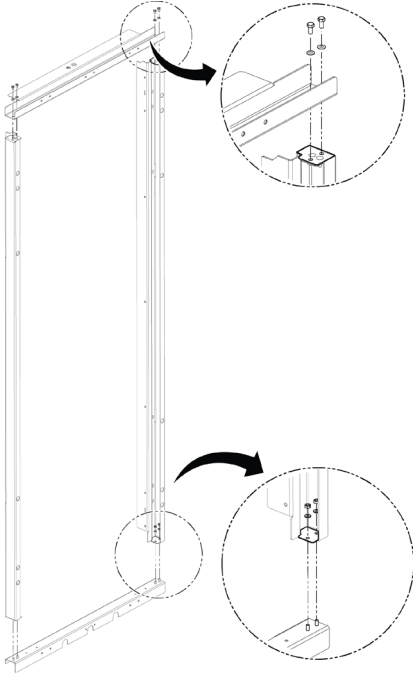
## Quick Installation Guide

For Part Numbers: DCDVRAD261-KIT, DCDVRAD262-KIT, DCDVRAD281-KIT, DCDVRAD282-KIT, DCDVRAD861-KIT, DCDVRAD862-KIT, DCDVRAD881-KIT and DCDVRAD882-KIT.



## DCD VR Rack Adapter Kit Assembly and Installation

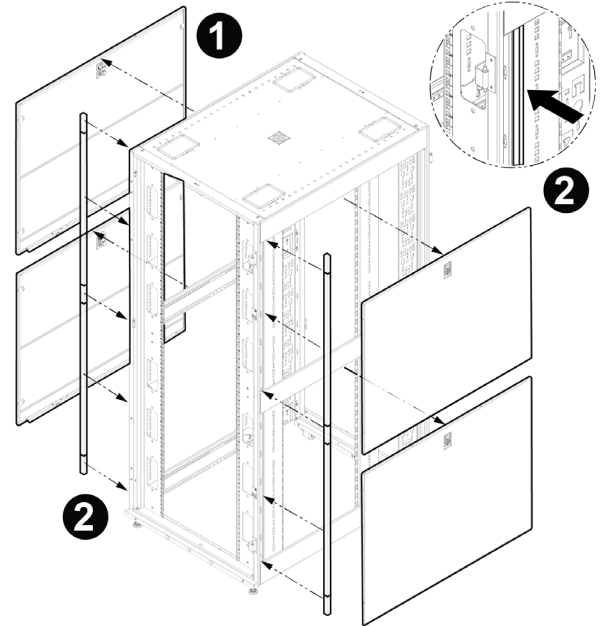
1. With hardware of from bag 1, assemble the DCD Adapter by tightening the M5-0.8X10mm screws to the top and the M5-0.8 nuts to the bottom using the M5 washers.



2. Remove the Side Panels (1) to install the Air Recirculation Prevention Kit (2).

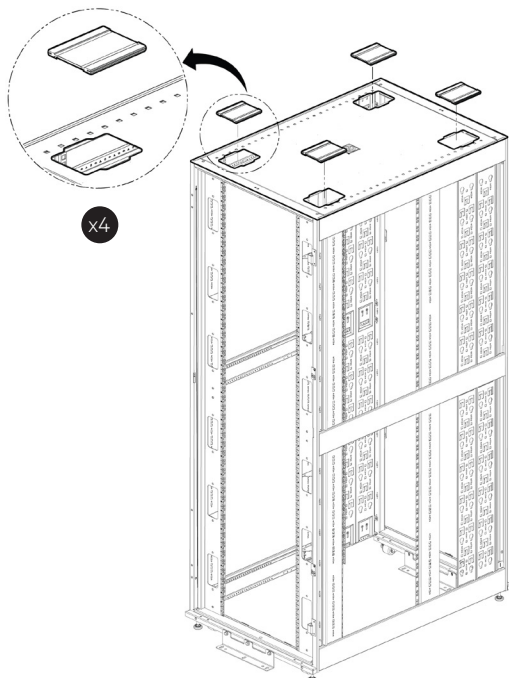
\*\* NOTE: Refer to the related VRA2004 Instructions.

\*\* NOTE: Refer to VR Rack user manual to remove panels.



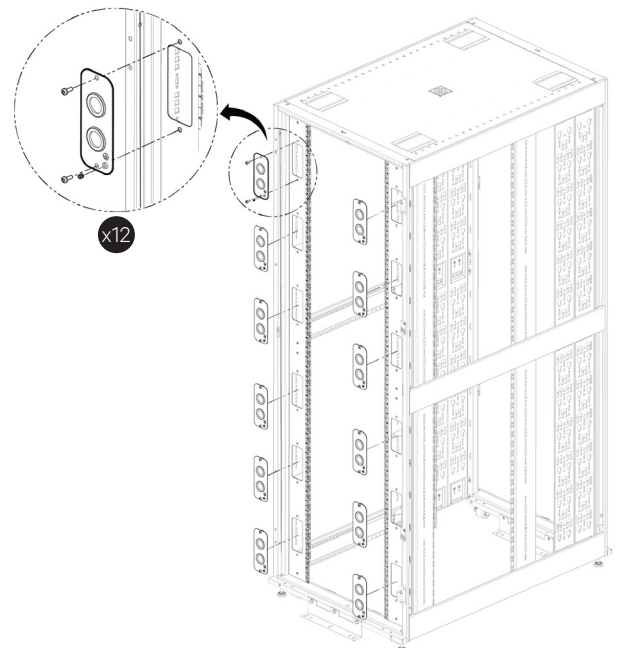
3. Remove the Roof Panel plastic covers on the rack, then install the Cable Pass Through Brushes.

\*\* Note: Refer to the related VRA2006 instructions.



4. Install the EIA rail covers as shown below, by tighten the M6 screws & M6 nuts.

\*\* Note: fasten the grounding screw until you feel resistance.



# Vertiv™ DCD VR Rack Adapter Kit



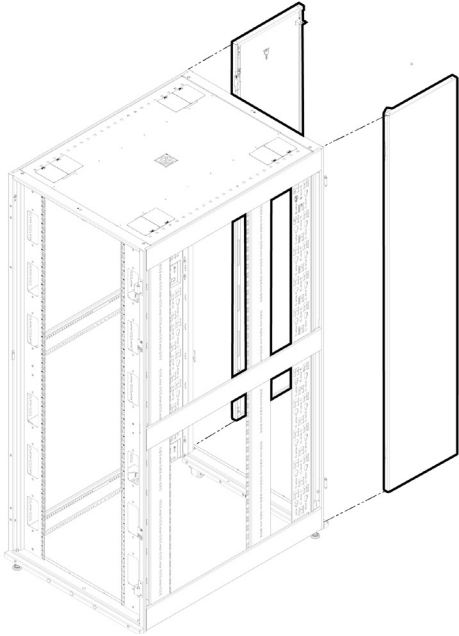
## Quick Installation Guide

For Part Numbers: DCDVRAD261-KIT, DCDVRAD262-KIT, DCDVRAD281-KIT, DCDVRAD282-KIT, DCDVRAD861-KIT, DCDVRAD862-KIT, DCDVRAD881-KIT and DCDVRAD882-KIT.

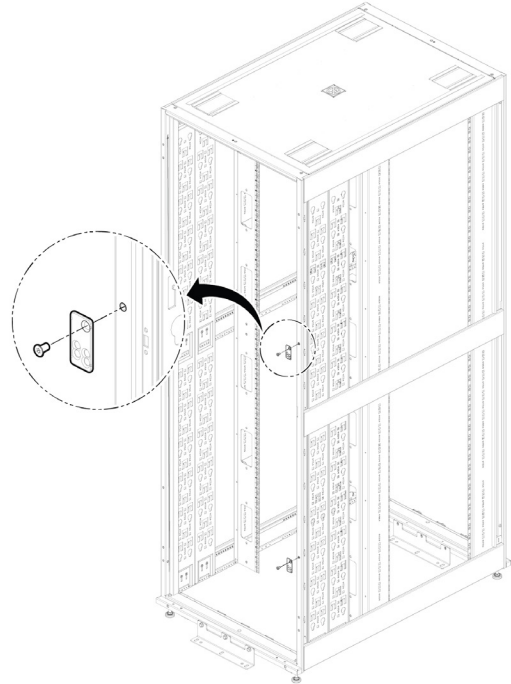


5. Before attaching the frame, remove the rear doors from the rack by opening them at a 90° angle to the rack, then they can be lifted off without tools.

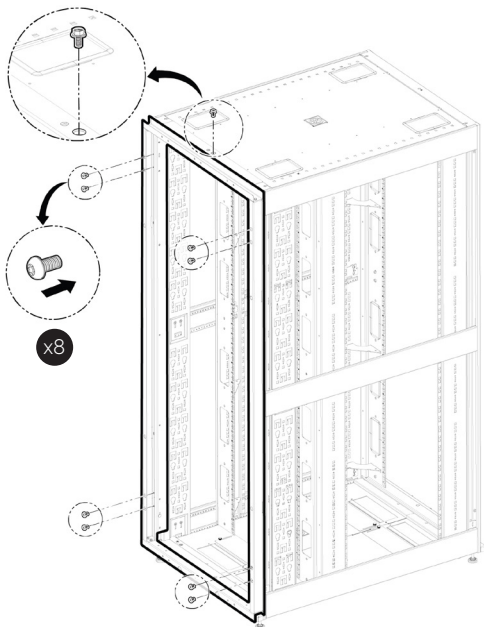
\*\* NOTE: Unscrew and detach ground cable



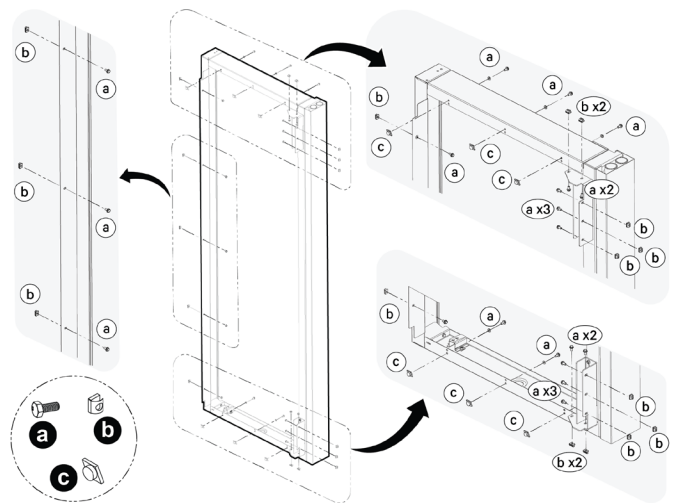
6. Remove baying brackets. If needed, install them back after step 7.



7. With hardware of bag 2, mount the DCD Adapter frame onto the VR Rack. Insert the 8 Torx mounting screws PH M6-1X12mm ZP, using a T30 driver and torque to 10.5 N-m (7.74 ft-lb), then insert and torque the Hex head serrated screw M8X14 (ground screw) to 25.46 N-M (18.78 ft-lb) both.



8. Discard unnecessary hardware from the DCD™ frame: all spring nuts (b), 22 M5x10 screws (a), all washers and 6 diamond nuts (c).



# Vertiv™ DCD VR Rack Adapter Kit



## Quick Installation Guide

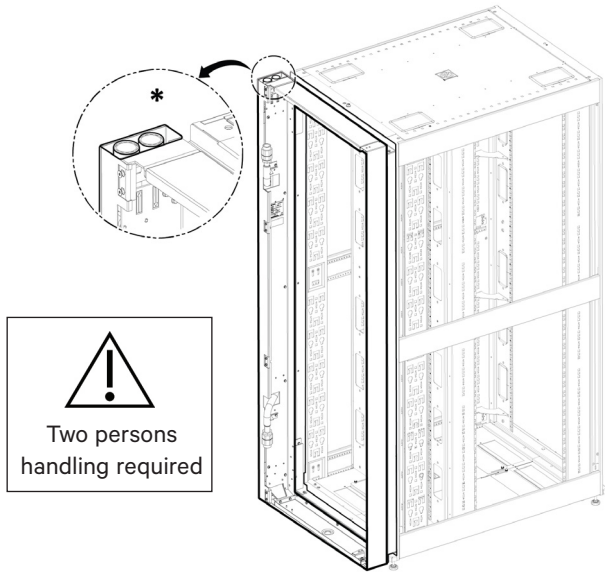
For Part Numbers: DCDVRAD261-KIT, DCDVRAD262-KIT, DCDVRAD281-KIT, DCDVRAD282-KIT, DCDVRAD861-KIT, DCDVRAD862-KIT, DCDVRAD881-KIT and DCDVRAD882-KIT.



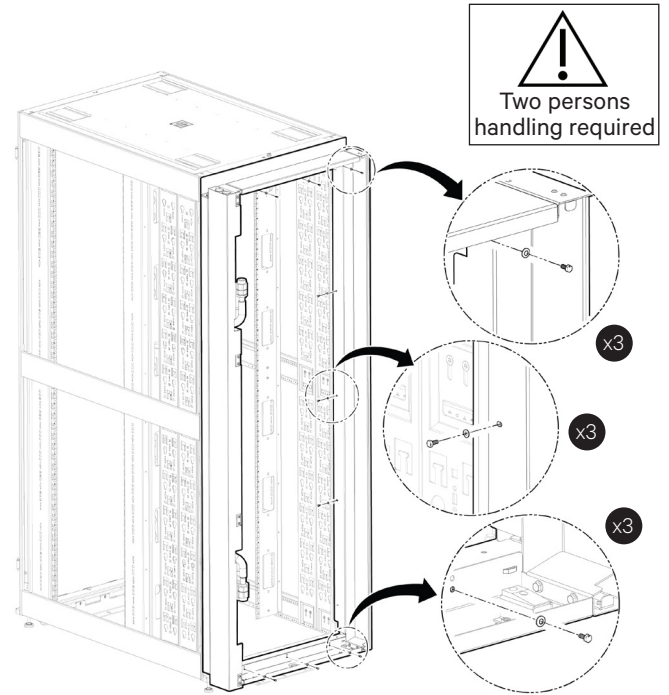
9. Align the DCD™ frame with the rear of the rack with the adapter already installed.

- Bottom chilled water connections: ensure that the connections are pointing down.
- Top chilled water connections: ensure that the connections are pointing up.

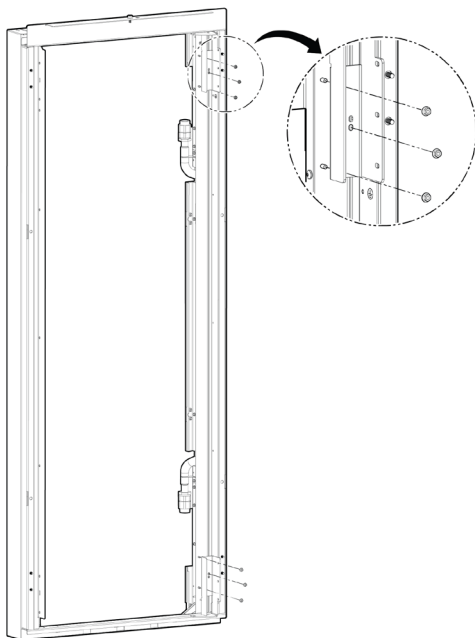
\*\* NOTE: Depending on the configuration, the connections could be on the top or bottom, left or right side.



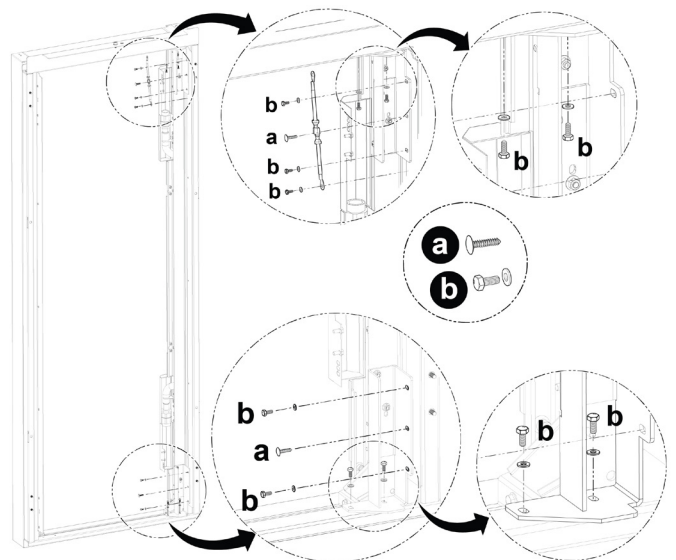
10. With hardware of bag 3, screw (without tightening) the M4 screws with washers starting from the side (3), following on the bottom (3) and then on the top (3). Once, all screws are placed, full tight them to prevent the frame from twisting.



11. From DCD box, use the M5 nuts to screw both corner brackets as it shows in the image.



12. Insert and tighten the 2 DCD corner brackets from the DCD box with the hardware included in the DCD. And from hardware of bag 3, insert and tight the M4 screws with washers and ribbed shank rivet as shown below.



# Vertiv™ DCD VR Rack Adapter Kit



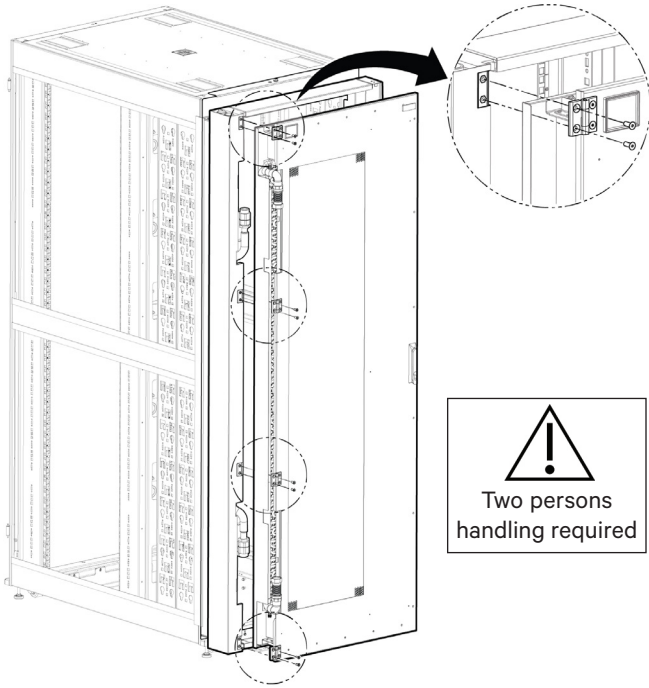
## Quick Installation Guide

For Part Numbers: DCDVRAD261-KIT, DCDVRAD262-KIT, DCDVRAD281-KIT, DCDVRAD282-KIT, DCDVRAD861-KIT, DCDVRAD862-KIT, DCDVRAD881-KIT and DCDVRAD882-KIT.



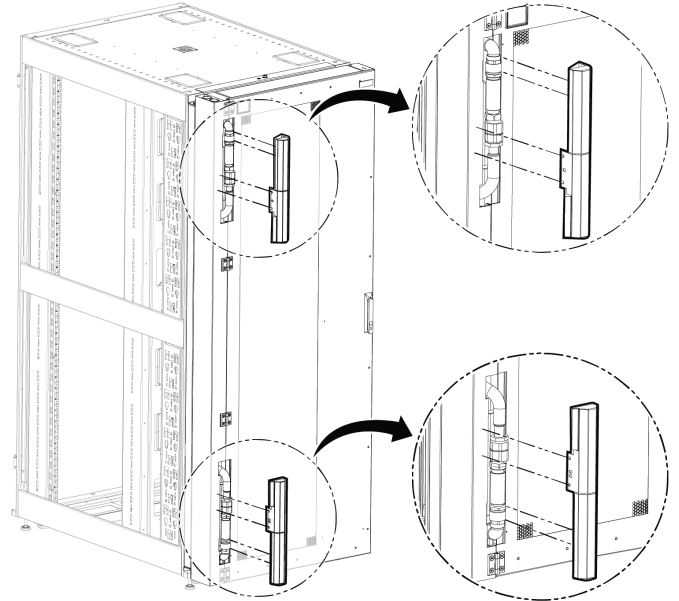
13. Install the DCD door onto the DCD frame and screw the hinges.

\*\* NOTE: Refer to the “NOTE” on Section 6.1 - DCD frame preparation of the Liebert® DCD™ Installer/User Guide and to Section 6.3 Installing the DCD Door for the detailed steps.

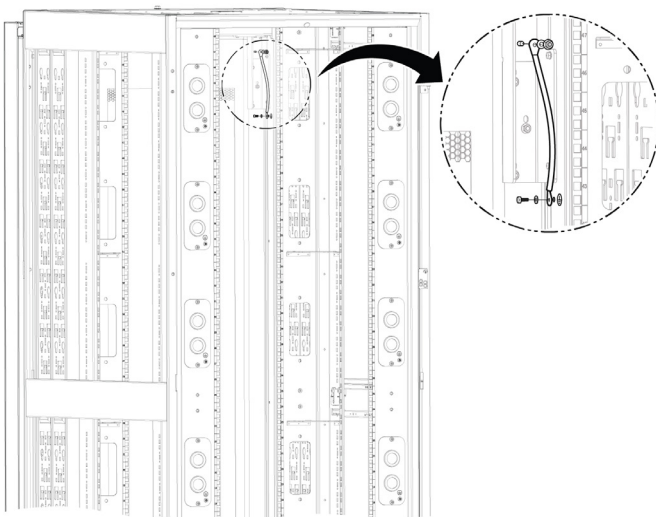


14. Install the DCD swivel-joint covers.

\*\* NOTE: Refer to the section 6.4 Installing the DCD Swivel-joint Covers on the Liebert® DCD™ Installer/User Guide for the complete instructions.

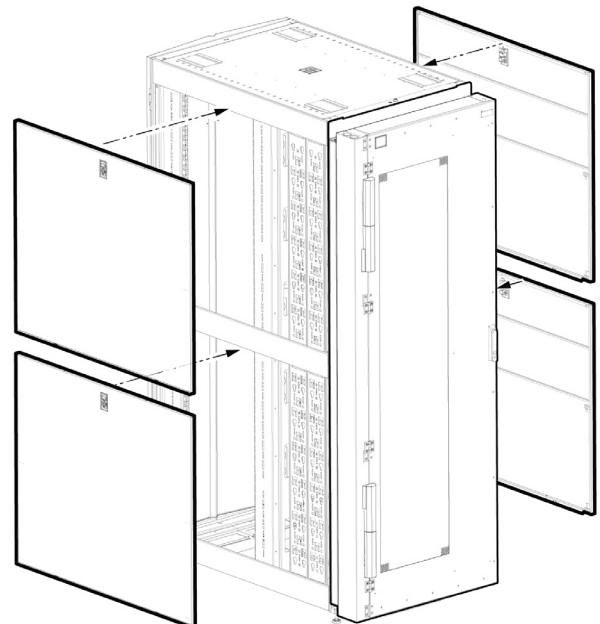


15. Use the existing ground cable on the DCD frame to connect to the DCD Adapter frame using an M4 screw and a washer from bag 3. Screw it into the hole where the ground symbol is located and torque to 3 N-m (2.25 ft-lb).



16. Install Side Panels as shown below.

\*\* Note: Refer to VR Rack user manual, section 4.3.



# Vertiv™ DCD VR Rack Adapter Kit

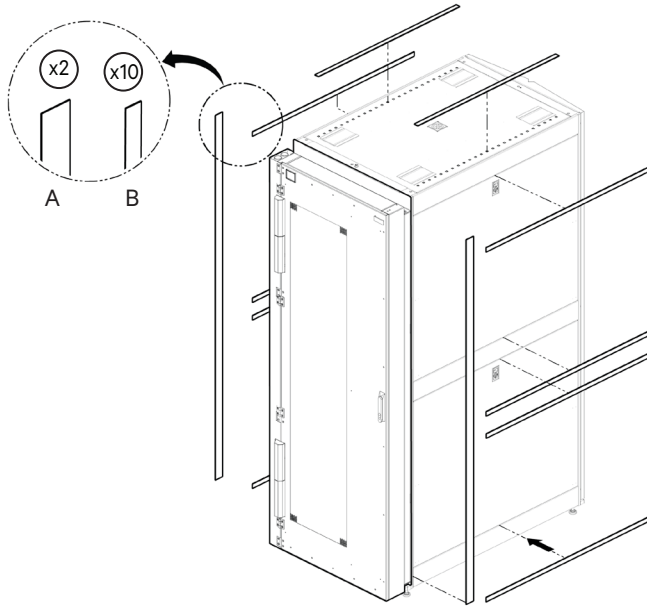


## Quick Installation Guide

For Part Numbers: DCDVRAD261-KIT, DCDVRAD262-KIT, DCDVRAD281-KIT, DCDVRAD282-KIT, DCDVRAD861-KIT, DCDVRAD862-KIT, DCDVRAD881-KIT and DCDVRAD882-KIT.



17. Use the magnetic tapes included in the kit to cover the top and side panel gaps as shown in the image and tables, according to your model.



\* Cut the tape pieces according to this guidance table:

A) 2" wide magnetic tape

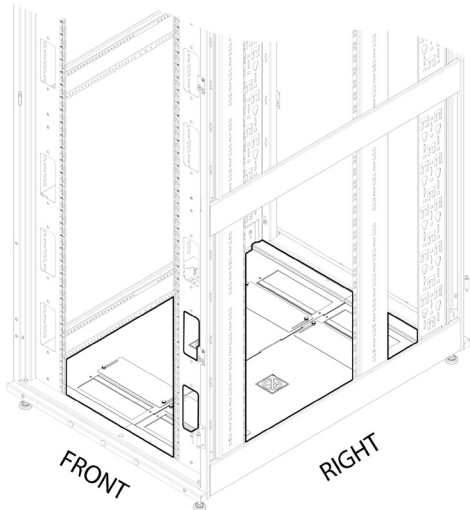
Rack Height	Qty.	Length	Location
42"	2	1.86 m (6.10 ft)	Rack - Adapter
48"	2	2.06 m (6.75 ft)	Rack - Adapter

B) 1" wide magnetic tape

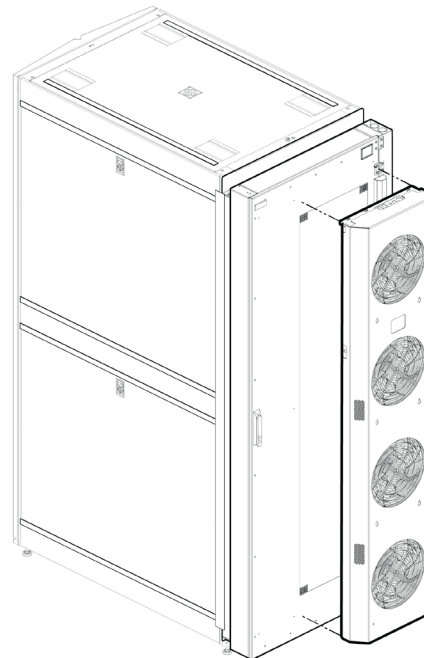
Rack Depth	Qty.	Length	Location
1100	8	1m (3.28 ft)	Side Panels
1100	2	0.90 m (2.95 ft)	Roof Panels
1200	8	1.11 m (3.64 ft)	Side Panels
1200	2	0.97 m (3.18 ft)	Roof Panels

18. Install the VR Networking Rack Bottom Panel.

\*\* NOTE: Refer to the VR Networking Bottom Panel Quick Installation Guide for related instructions.



19. Install active unit to the DCD door.



THIS PAGE INTENTIONALLY  
LEFT BLANK



**To contact Vertiv Technical Support: visit [www.Vertiv.com](http://www.Vertiv.com)**

©2023 Vertiv Group Corp. All rights reserved. Vertiv™ and the Vertiv logo are trademarks or registered trademarks of Vertiv Group Corp. All other names and logos referred to are trade names, trademarks or registered trademarks of their respective owners. While every precaution has been taken to ensure accuracy and completeness here, Vertiv Group Corp. assumes no responsibility, and disclaims all liability, for damages resulting from use of this information or for any errors or omissions. Specifications, rebates and other promotional offers are subject to change at Vertiv's sole discretion upon notice.

