

Vertiv™ Liebert® Medium Power Lithium Battery Cabinet



Quick Installation Guide

IMPORTANT: Before installing, connecting to supply or operating your Vertiv™ Liebert® Medium Power Lithium (MPL) Battery Cabinet, please review the Safety and Regulatory Statements sheet. For detailed installation, operating, maintenance and troubleshooting information visit the Liebert® MPL product page for the Liebert® MPL Battery Cabinet Installer/User Guide available at www.Vertiv.com or use the QR code below.



Inspect the Battery Cabinet

Inspect the cabinet for any signs of obvious damage. If damage is visible, do not proceed. File a damage claim with the carrier immediately and send a copy to:

Vertiv
1050 Dearborn Drive
P.O. Box 29186
Columbus OH 43085
Attn. Traffic Department

NOTE: This guide is for MPL 192V 6Ah(1U) and 12Ah(2U) Lithium battery cabinet.

Connecting Lithium Battery Cabinet Systems

Each battery string is made up of two battery cabinets that are connected to the UPS in parallel.

Refer to the figure, “Cabling 1U Lithium Battery in Parallel”, to connect the system, and 2U is same.

1. Connect ‘BAT+’ on UPS to ‘BATTERY PORT A’ on 1A Battery Cabinet

- 1) Connect the ‘Port B’ end of the battery cable to the ‘BAT+’ battery port on the UPS.
- 2) Connect the ‘Port A’ end of the battery cable to ‘BATTERY PORT A’ on 1A battery cabinet.

2. Connect ‘BAT-’ on UPS to ‘BATTERY PORT A’ on 1B Battery Cabinet

- 1) Connect the ‘Port B’ end of the battery cable to the ‘BAT-’ battery port on the UPS.
- 2) Connect the ‘Port A’ end of the battery cable to ‘BATTERY PORT A’ on 1B battery cabinet.

3. Connect the communication cable

Connect to the communication port on the UPS and one COM port on the 1A battery cabinet.

4. Extending the 1A battery cabinet capacity.

Connect a battery cable to ‘BATTERY PORT B’ on 1A battery cabinet, and to ‘BATTERY PORT A’ on 2A battery cabinet.

5. Extending the 1B battery cabinet capacity

Connect a battery cable to ‘BATTERY PORT B’ on 1B battery cabinet, and to ‘BATTERY PORT

A’ on 2B battery cabinet.

6. Connect the COM communication cable

Connect a cable between the COM communication ports between each battery cabinet.

7. Connect the CAN communication cable

Connect a cable between the CAN communication ports between each battery cabinet.

8. Set the DIP switches

Referring to the table to set the DIP switch on cabinets.

9. Start battery cable detection

After setting the DIP switches start the battery cable detection.

10. Close Breakers

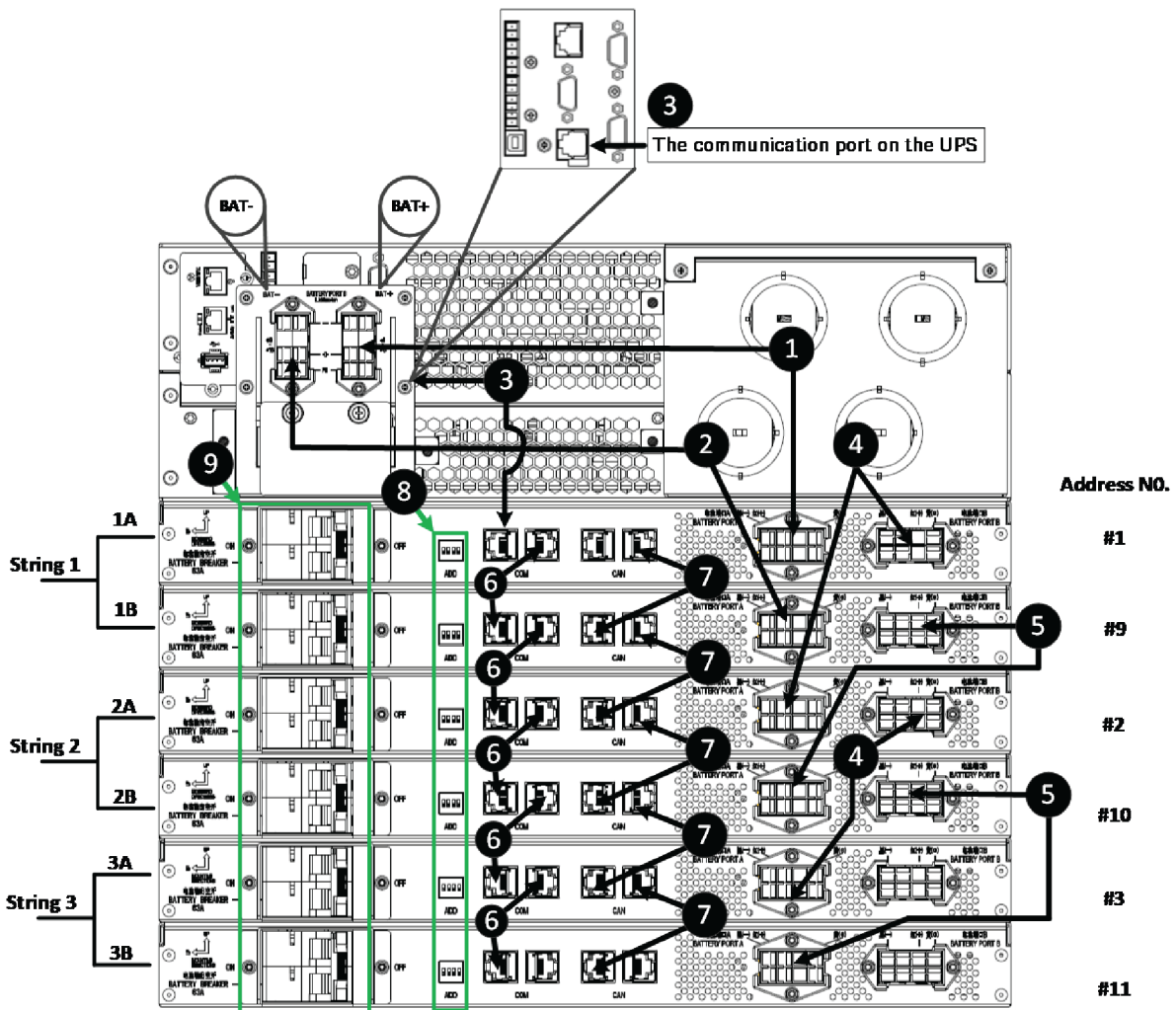
When connections and DIP switch settings are complete, close the battery breaker(s).

DIP Switch Settings for Lithium Battery Cabinet Strings

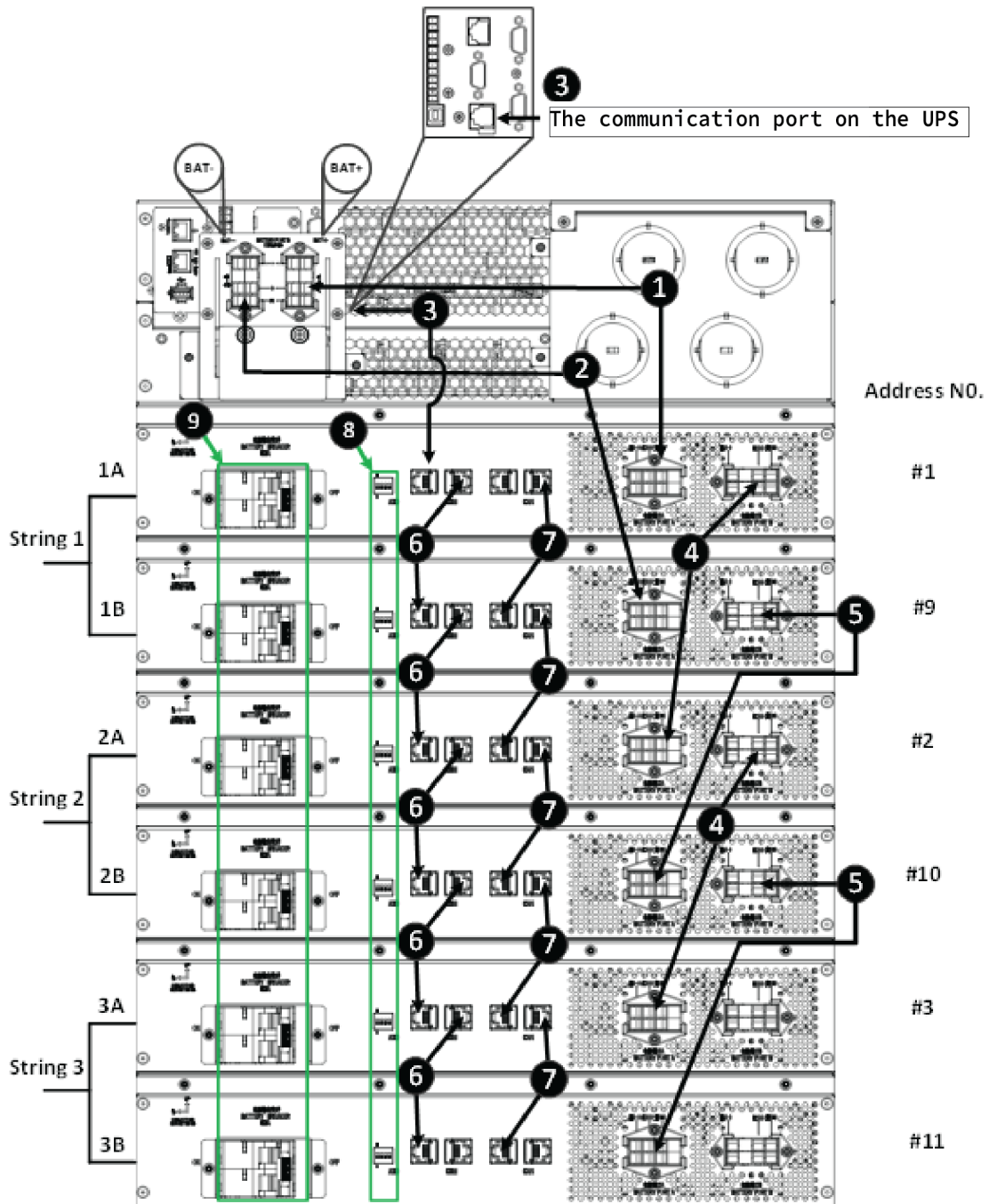
String No.	Cabinet No.	DIP Switch Position				Address No.	Example
		1	2	3	4		
1	A	OFF	OFF	OFF	OFF	#1	
	B	ON	OFF	OFF	OFF	#9	
2	A	OFF	OFF	OFF	ON	#2	
	B	ON	OFF	OFF	ON	#10	
3	A	OFF	OFF	ON	OFF	#3	
	B	ON	OFF	ON	OFF	#11	
4	A	OFF	OFF	ON	ON	#4	
	B	ON	OFF	ON	ON	#12	
5	A	OFF	ON	OFF	OFF	#5	
	B	ON	ON	OFF	OFF	#13	
6	A	OFF	ON	OFF	ON	#6	
	B	ON	ON	OFF	ON	#14	

String No.	Cabinet No.	DIP Switch Position				Address No.	Example
		1	2	3	4		
7	A	OFF	ON	ON	OFF	#7	
	B	ON	ON	ON	OFF	#15	
8	A	OFF	ON	ON	ON	#8	
	B	ON	ON	ON	ON	#16	

Cabling 1U Lithium Battery in Parallel



Cabling 2U Lithium Battery in Parallel



To contact Vertiv Technical Support: visit www.Vertiv.com

©2022 Vertiv Group Corp. All rights reserved. Vertiv™ and the Vertiv logo are trademarks or registered trademarks of Vertiv Group Corp. All other names and logos referred to are trade names, trademarks or registered trademarks of their respective owners. While every precaution has been taken to ensure accuracy and completeness here, Vertiv Group Corp. assumes no responsibility, and disclaims all liability, for damages resulting from use of this information or for any errors or omissions. Specifications, rebates and other promotional offers are subject to change at Vertiv's sole discretion upon notice.

